



US00D406903S

United States Patent [19] Horton

[11] Patent Number: **Des. 406,903**

[45] Date of Patent: ****Mar. 16, 1999**

[54] **KIOSK**

[75] Inventor: **Tony L. Horton**, Dallas, Tex.

[73] Assignee: **Viad Corp.**, Dallas, Tex.

[**] Term: **14 Years**

[21] Appl. No.: **89,952**

[22] Filed: **Jun. 26, 1998**

[51] **LOC (6) Cl.** **25-03**

[52] **U.S. Cl.** **D25/16; D34/20**

[58] **Field of Search** D34/12-27; D25/16,
D25/22-26; D6/436, 437, 470, 474, 481;
312/196, 184; 108/111; 52/79.5; 296/21

[56] **References Cited**

U.S. PATENT DOCUMENTS

D. 54,883	4/1920	Willett .	
D. 85,555	11/1931	Stebbing .	
D. 148,842	3/1948	Cushman	86/437
D. 149,381	4/1948	Schick	D6/470
D. 152,219	12/1948	Schick	D6/437
D. 152,371	1/1949	Schick	D6/437
D. 200,225	2/1965	Benjamin	D16/226
D. 219,579	12/1970	Wormser	D25/4
D. 254,327	2/1980	Tasse	D25/26
D. 256,530	8/1980	Johnson	D6/144
D. 260,708	9/1981	Schindler et al.	D6/144
D. 265,617	8/1982	Sauroge, III et al.	D6/144
D. 279,408	6/1985	Davenport et al.	D25/25
D. 288,040	2/1987	LdBlanc	D6/473
D. 288,609	3/1987	Watkins	D25/11
D. 302,221	7/1989	Suttles et al.	D6/481
D. 313,077	12/1990	Minarro	D25/16
D. 326,024	5/1992	Boyd et al.	D6/480

D. 341,458	11/1993	Carroll	D34/20
D. 346,867	5/1994	Montilla	D25/16
D. 348,367	7/1994	Geisen et al.	D6/481
D. 350,829	9/1994	Horton	D25/16
D. 354,816	1/1995	Horton	D25/16
D. 367,777	3/1996	Arnone	D6/436
D. 368,606	4/1996	Sargent, III	D6/481
D. 379,664	6/1997	Horton	D25/16
D. 379,665	6/1997	Horton	D25/16
D. 379,666	6/1997	Horton	D25/16
D. 379,667	6/1997	Horton	D25/16
D. 396,113	7/1998	Horton	D25/16
D. 396,114	7/1998	Horton	D25/16
589,971	9/1897	Kephart .	
2,836,860	6/1958	Staropoli	20/1.6
3,715,815	2/1973	Lewis	35/60
4,572,598	2/1986	Moore, Jr.	312/284
5,048,857	9/1991	Stevens	280/651
5,375,899	12/1994	Wright	296/21
5,551,774	9/1996	Campbell et al.	312/284

Primary Examiner—Kay H. Chin

Attorney, Agent, or Firm—Locke Purnell Rain Harrell

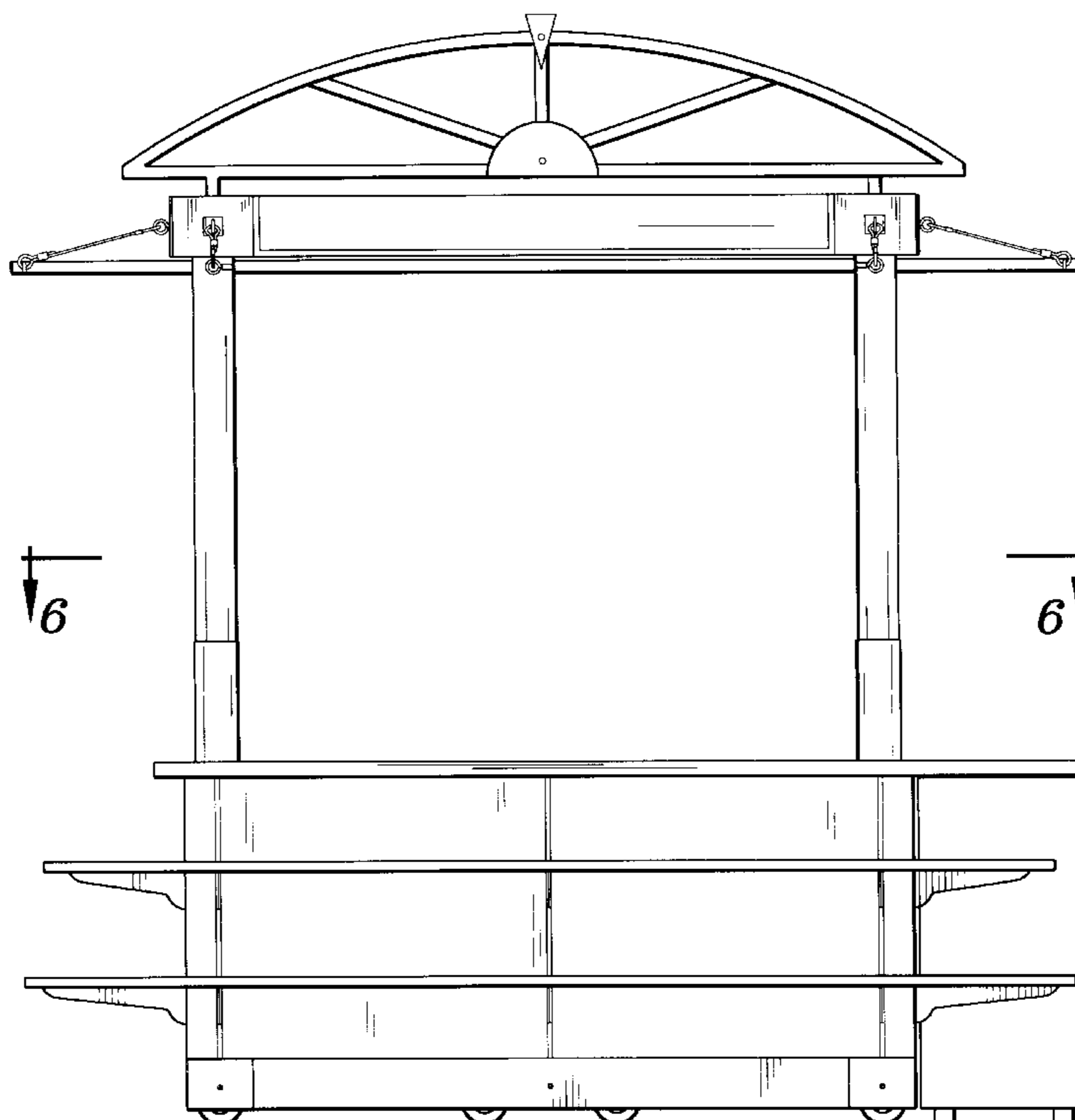
[57] **CLAIM**

The ornamental design for “kiosk”, as shown and described.

DESCRIPTION

FIG. 1 is a front elevational view of a kiosk showing my new design, the opposite side being identical thereto; FIG. 2 is a left side elevational view thereof; FIG. 3 is a right side elevational view thereof; FIG. 4 is a top plan view thereof; FIG. 5 is a bottom plan view thereof; and, FIG. 6 is a sectional view thereof taken generally along sectional lines 6—6 of FIG. 1.

1 Claim, 6 Drawing Sheets



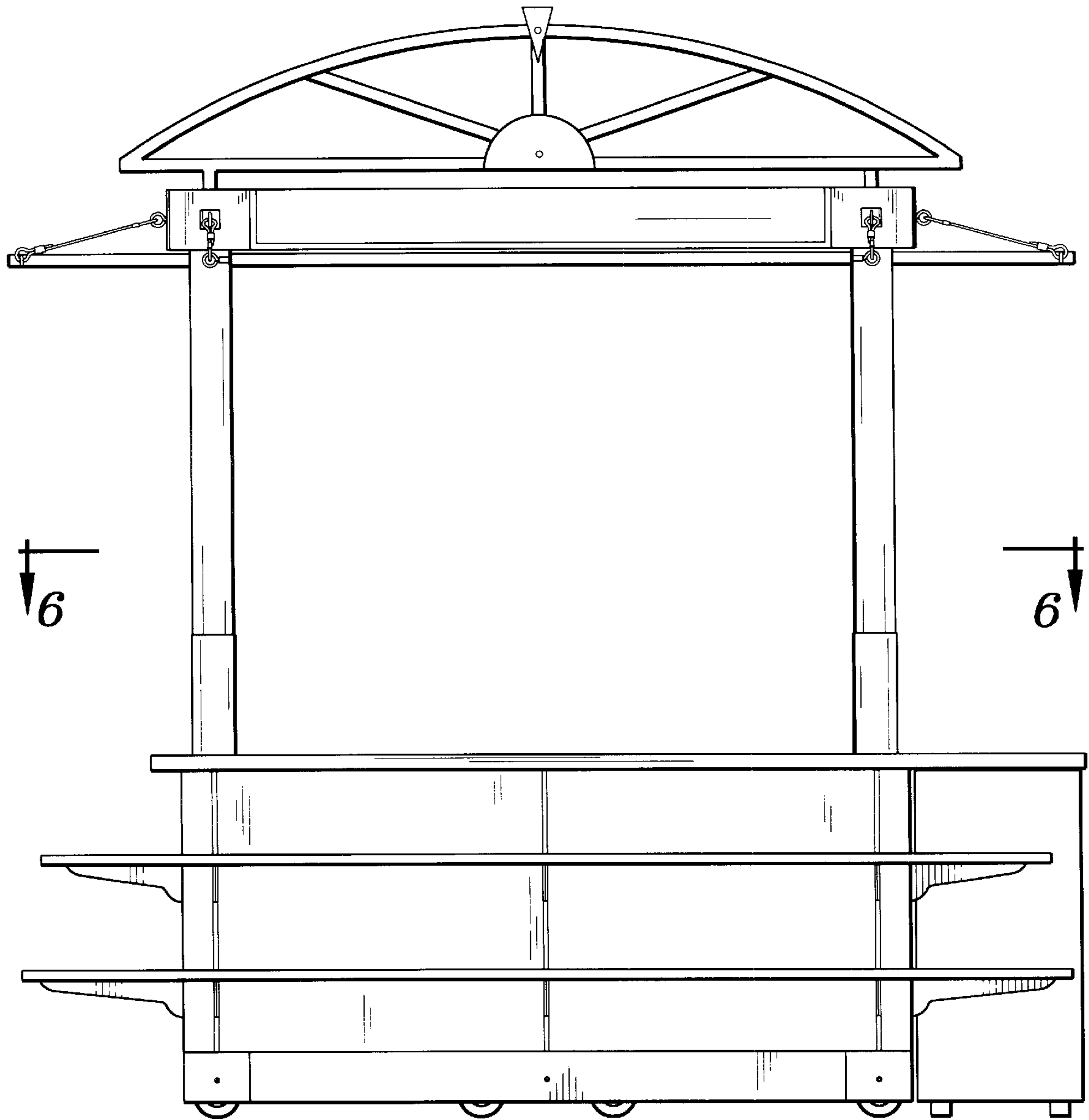


FIG. 1

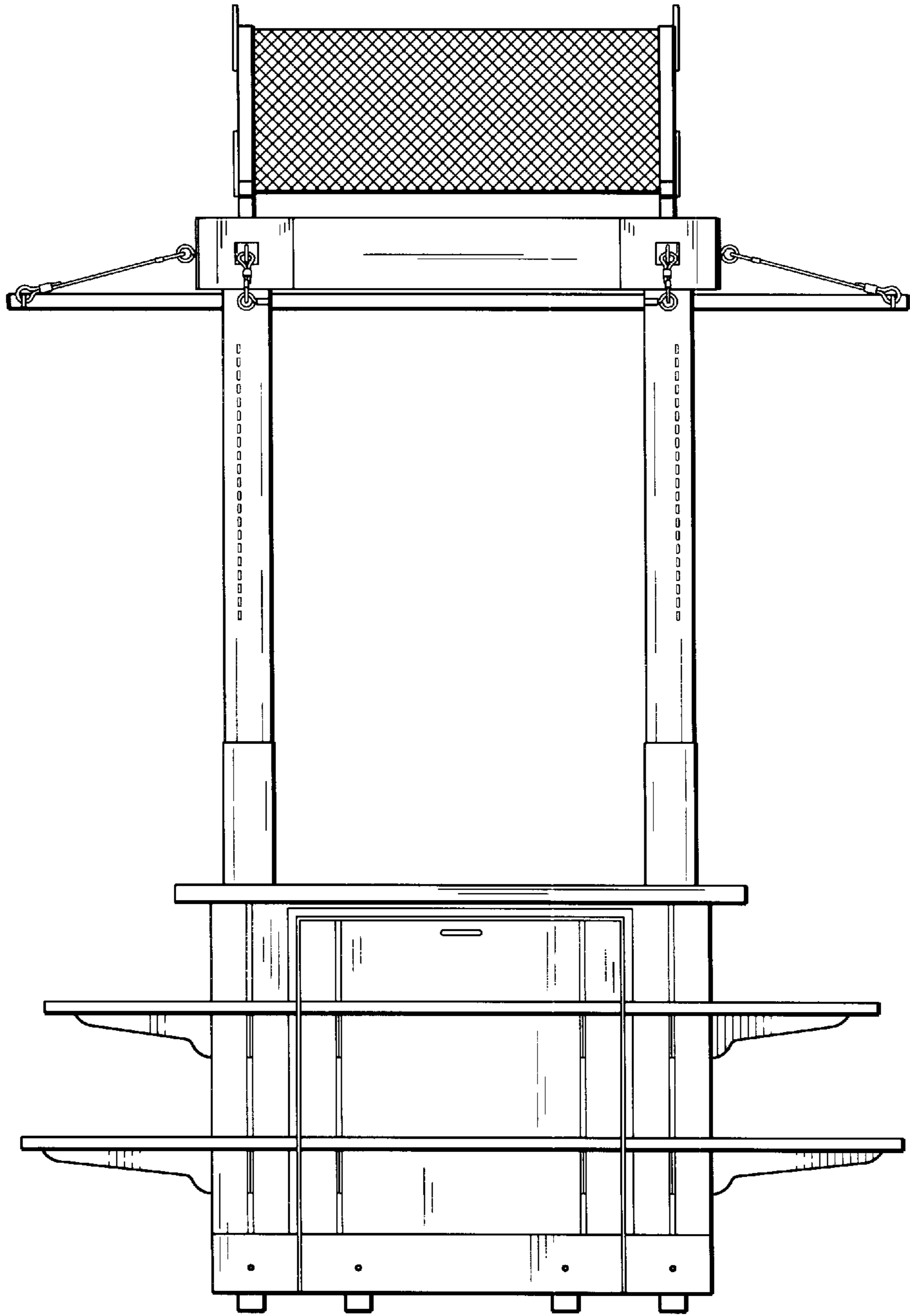


FIG. 2

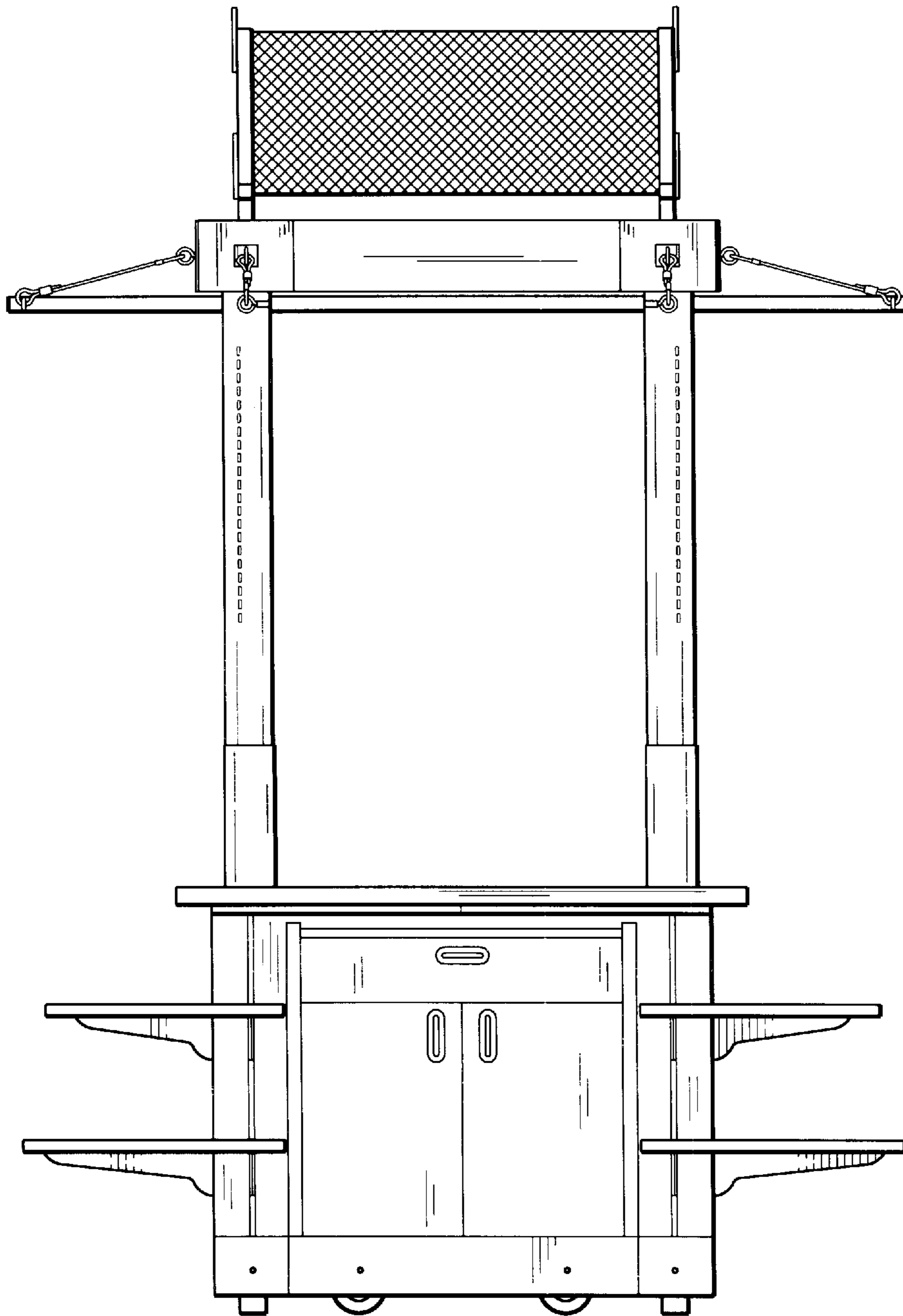


FIG. 3

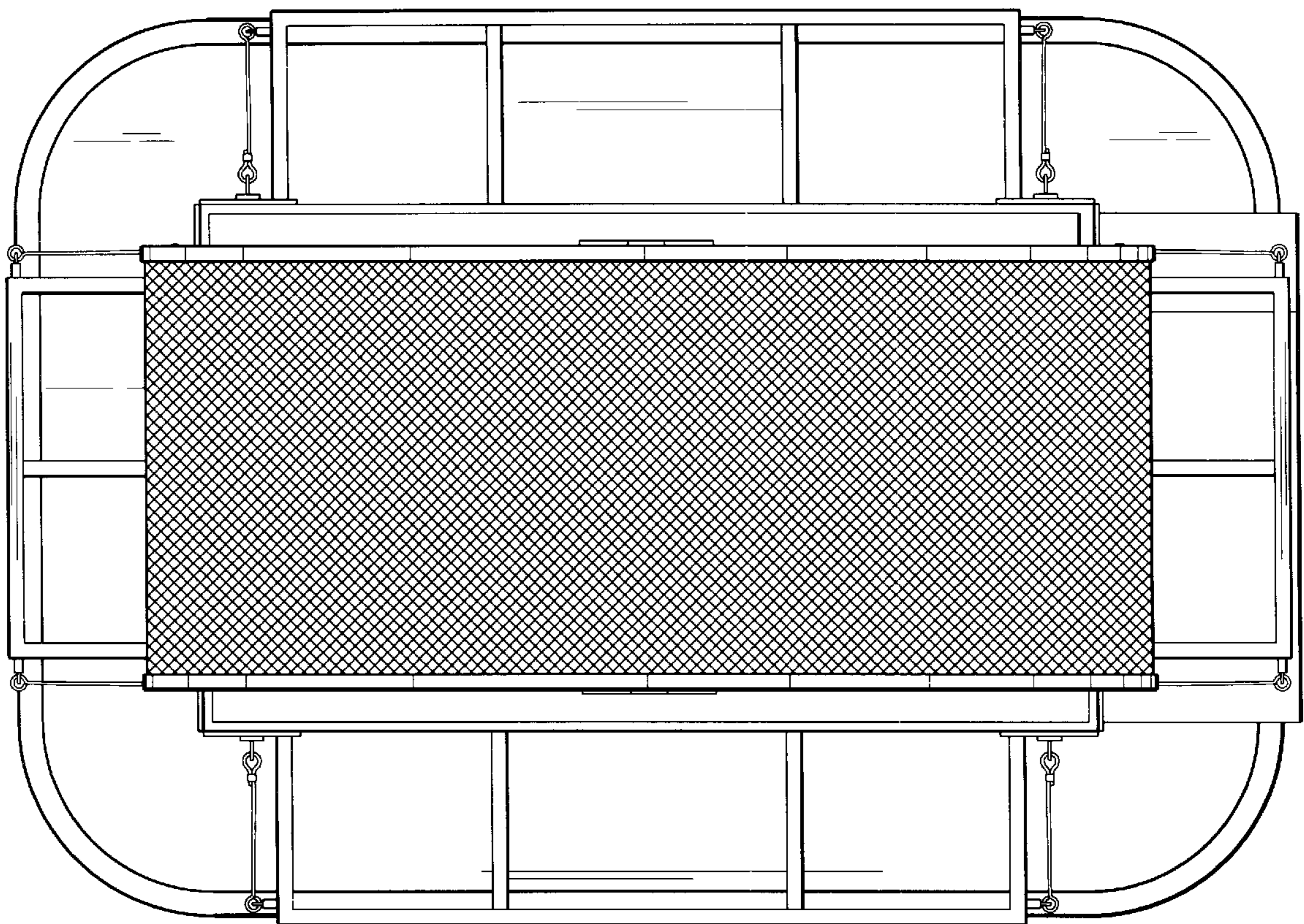


FIG. 4

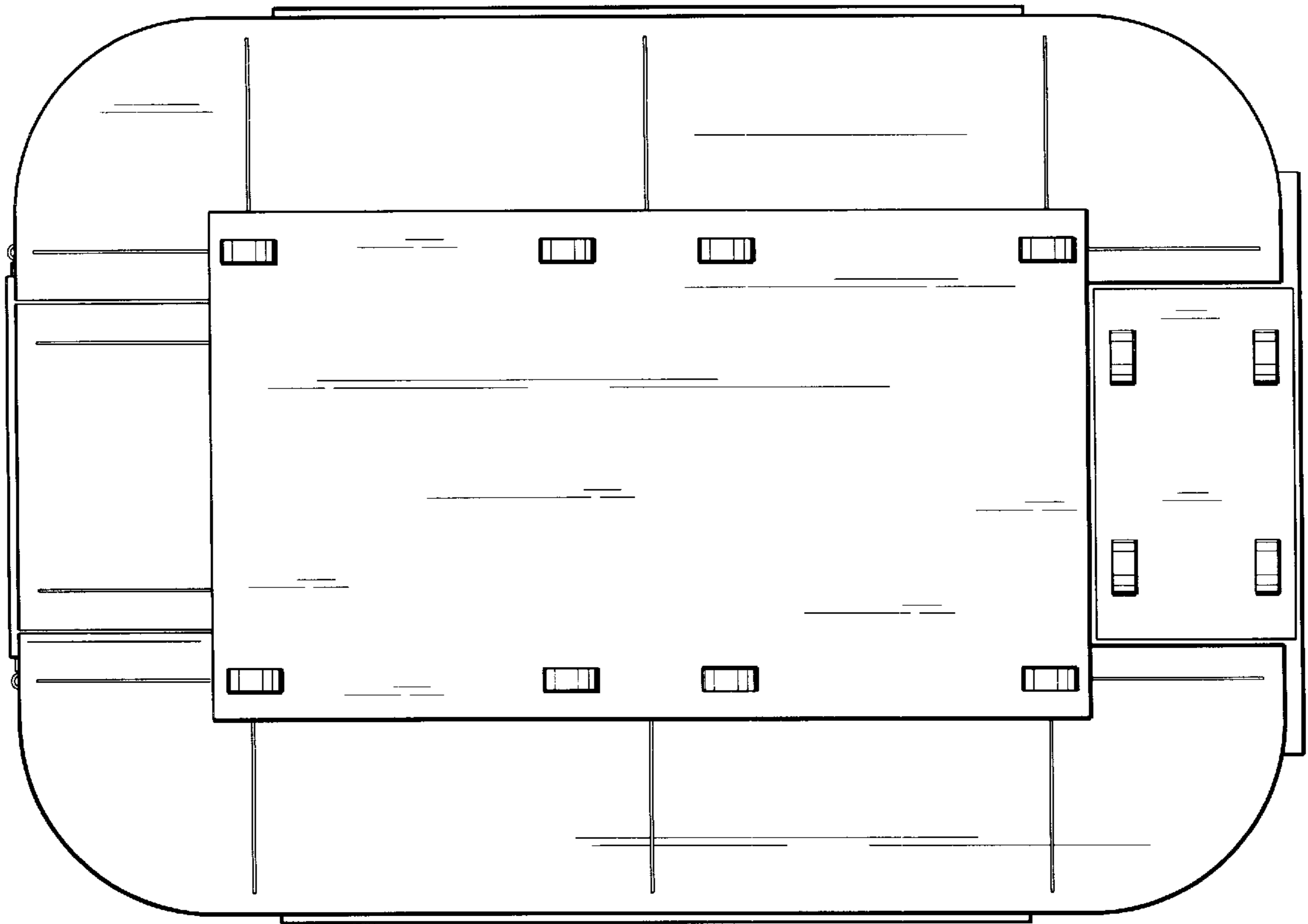


FIG. 5

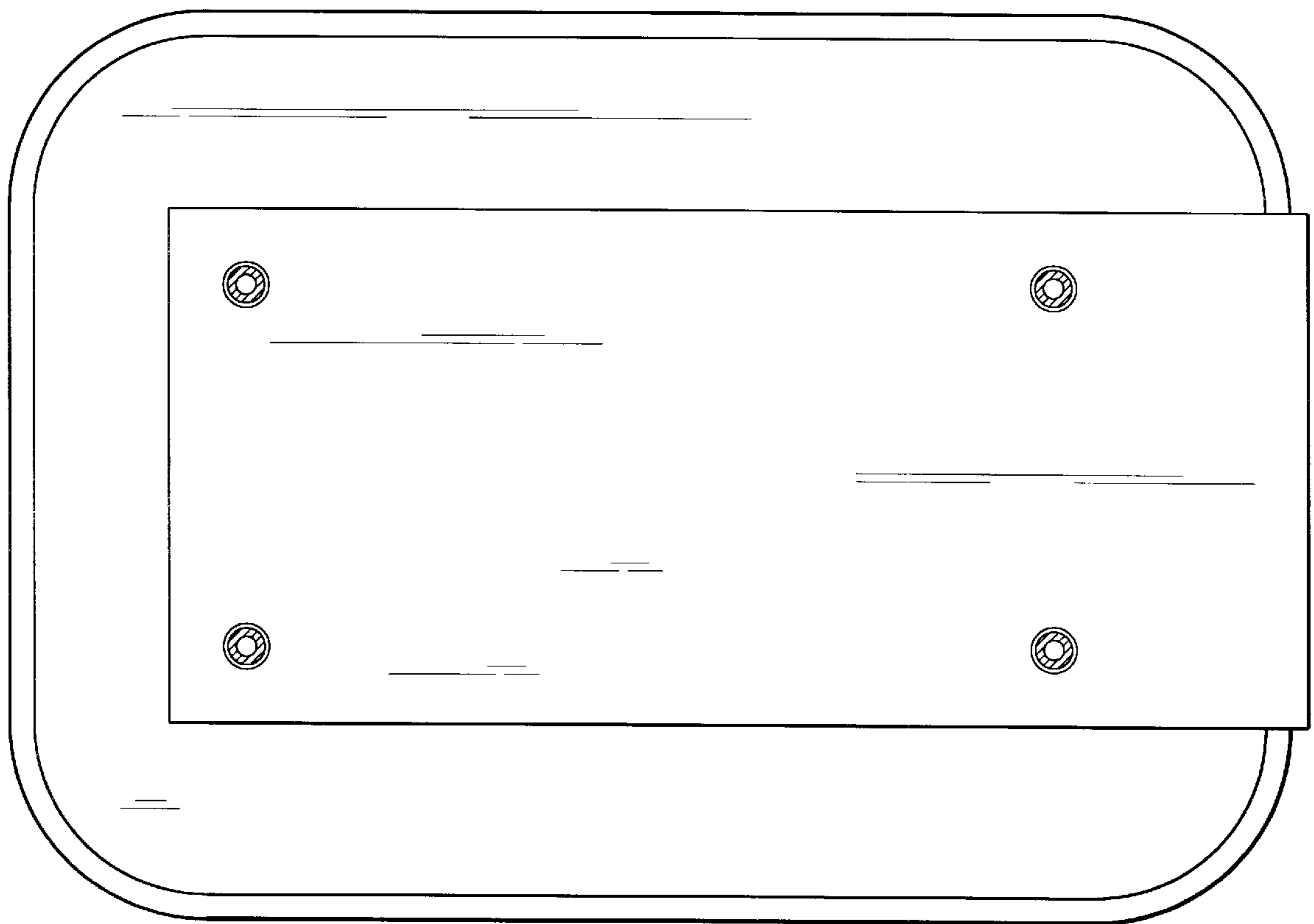


FIG. 6