



US00D406900S

United States Patent [19]

[11] Patent Number: **Des. 406,900**

Murrell et al.

[45] Date of Patent: ****Mar. 16, 1999**

[54] AUTOSAMPLER

4,235,840 11/1980 Mendoza et al. 422/100
4,705,630 11/1987 Gordon et al. 422/102
5,046,539 9/1991 MacLeish et al. 422/100

[75] Inventors: **Spencer B. Murrell**, Delaware; **Keith J. Kresque**, Worthington, both of Ohio

OTHER PUBLICATIONS

[73] Assignee: **Tekmar Company**, Cincinnati, Ohio

TEKMAR Catalog, Published 1990, pp. 47, 48, 49, 57, 64 and 65.

[**] Term: **14 Years**

Primary Examiner—Louis S. Zarfes
Assistant Examiner—Gumman Andoh
Attorney, Agent, or Firm—Westman, Champlin & Kelly, P.A.

[21] Appl. No.: **58,244**

[22] Filed: **Aug. 9, 1996**

Related U.S. Application Data

[57] CLAIM

[62] Division of Ser. No. 27,149, Jul. 11, 1994, Pat. No. Des. 387,429.

The ornamental design for an autosampler, as shown and described.

[51] **LOC (6) Cl.** **24-02**

DESCRIPTION

[52] **U.S. Cl.** **D24/232; D24/231**

[58] **Field of Search** D24/231, 216,
D24/232, 186, 169; D10/81; 422/102, 104,
100, 68.1, 67, 63, 64; 436/180

FIG. 1 is a perspective view of a an autosampler showing our new design;

FIG. 2 is a right side elevational view thereof;

FIG. 3 is a top plan view thereof;

FIG. 4 is a front elevational view thereof;

FIG. 5 is a rear elevational view thereof;

FIG. 6 is a bottom plan view thereof; and,

FIG. 7 is a left side elevational view thereof.

The interior of the wells of the AUTOSAMPLER form no part of the claim design.

[56] References Cited

U.S. PATENT DOCUMENTS

| | | | | |
|------------|---------|------------------|-------|---------|
| D. 264,991 | 6/1982 | Quandt | | D24/216 |
| D. 271,570 | 11/1983 | Cain | | D24/232 |
| D. 272,087 | 1/1984 | Smith | | D24/216 |
| D. 328,954 | 8/1992 | Brech | | D24/216 |
| D. 330,770 | 11/1992 | Rodomista et al. | | D24/216 |
| 4,131,426 | 12/1978 | Range | | 472/100 |

1 Claim, 7 Drawing Sheets

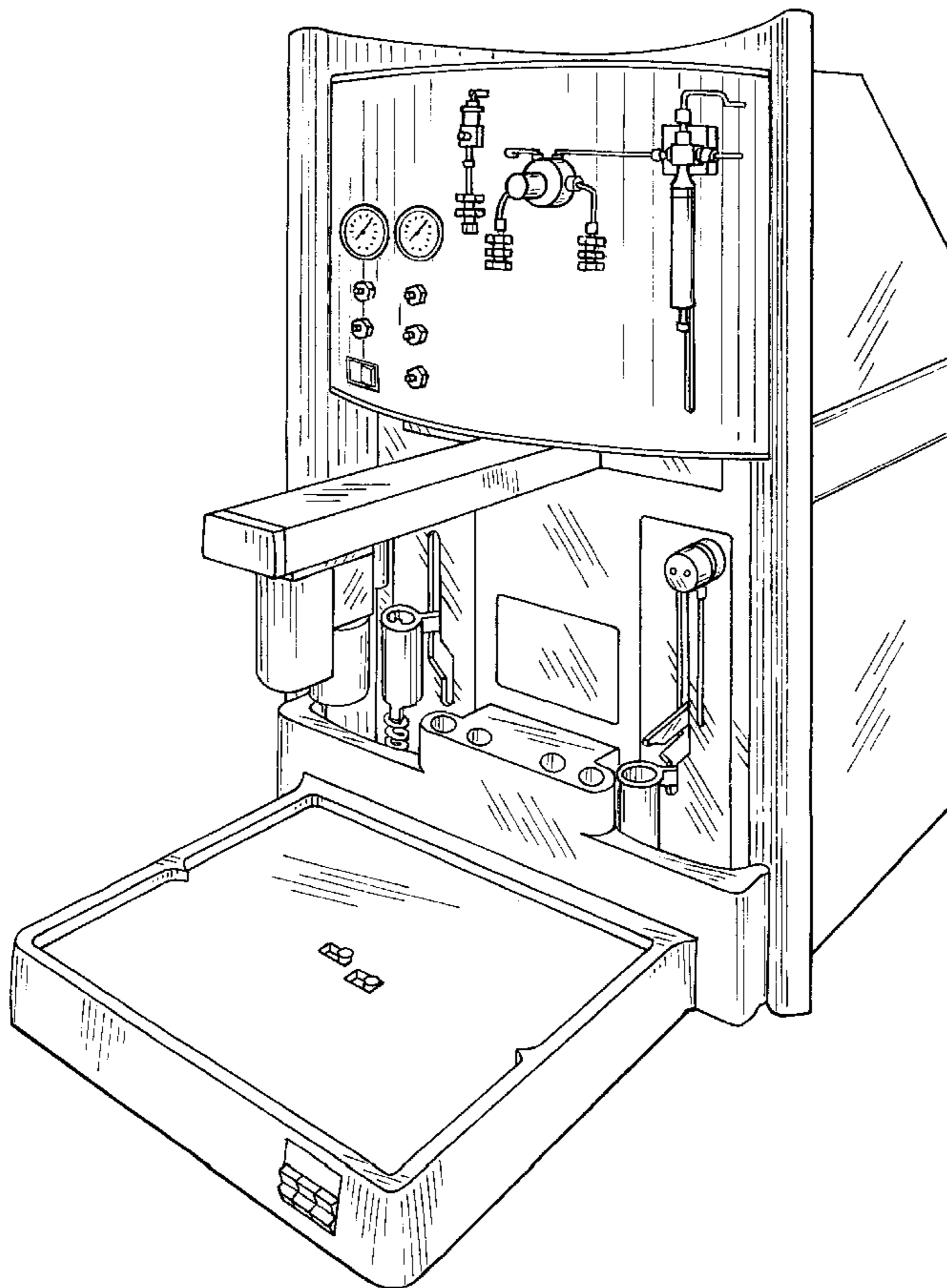


FIG. 1

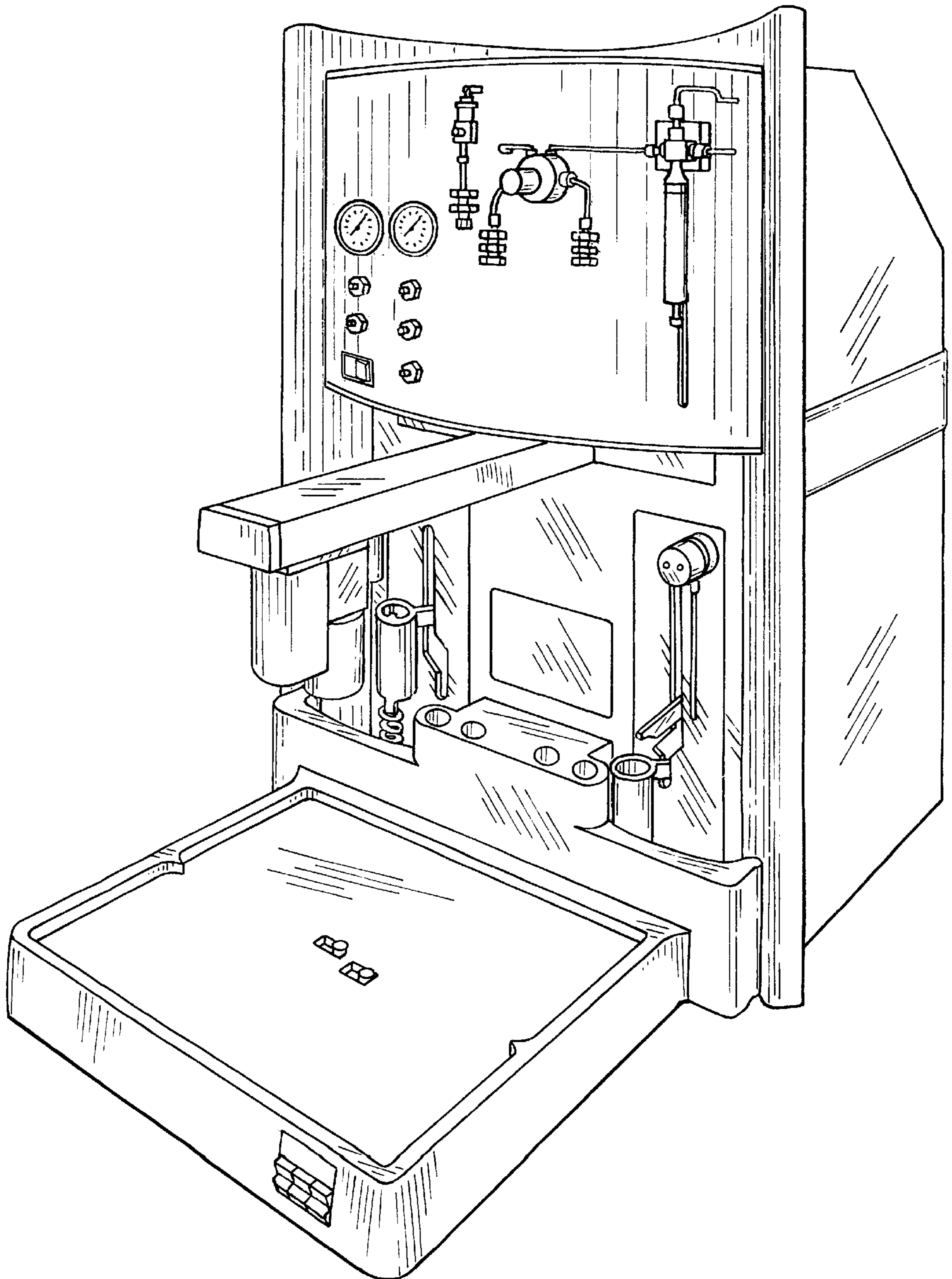


FIG. 2

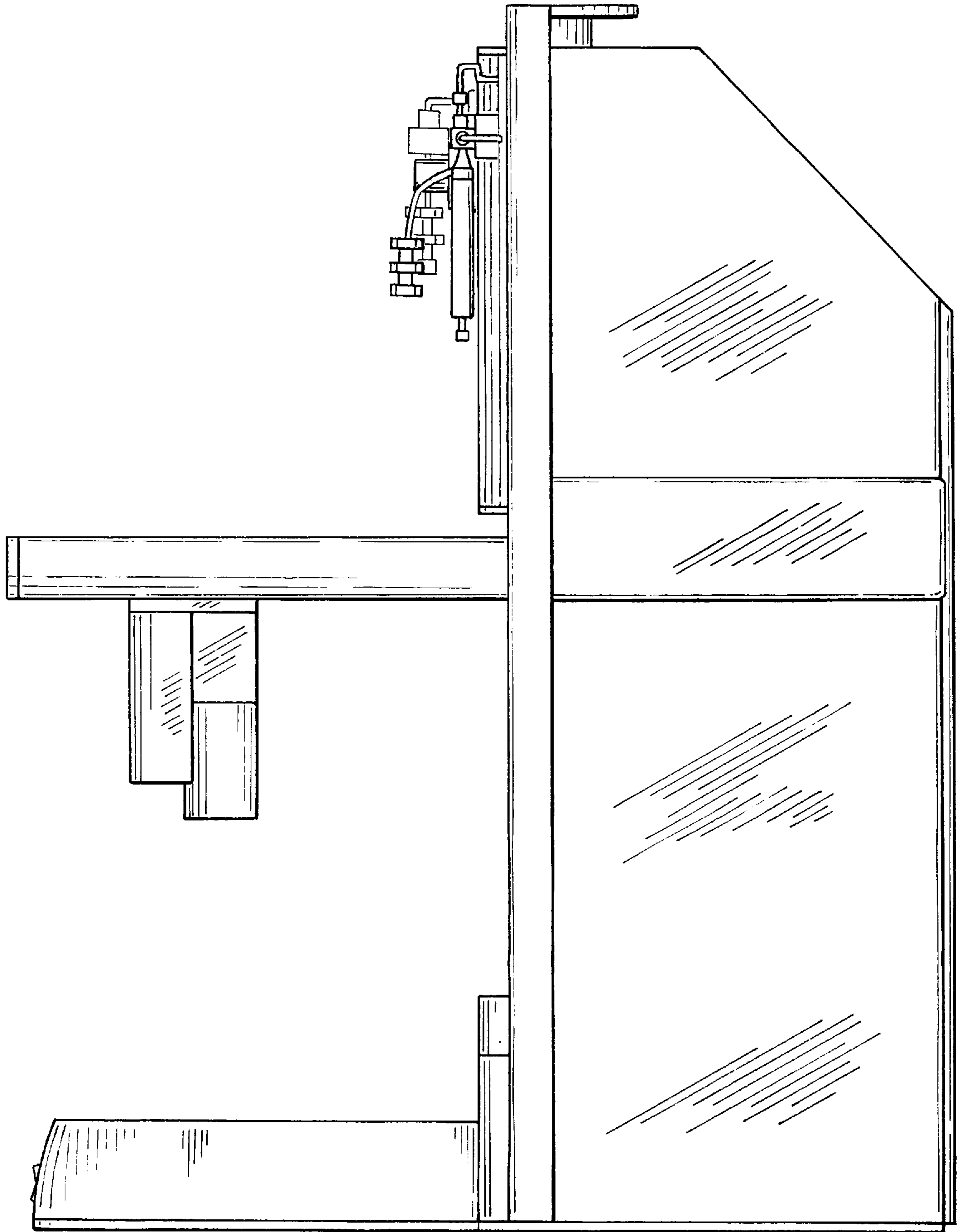


FIG. 3

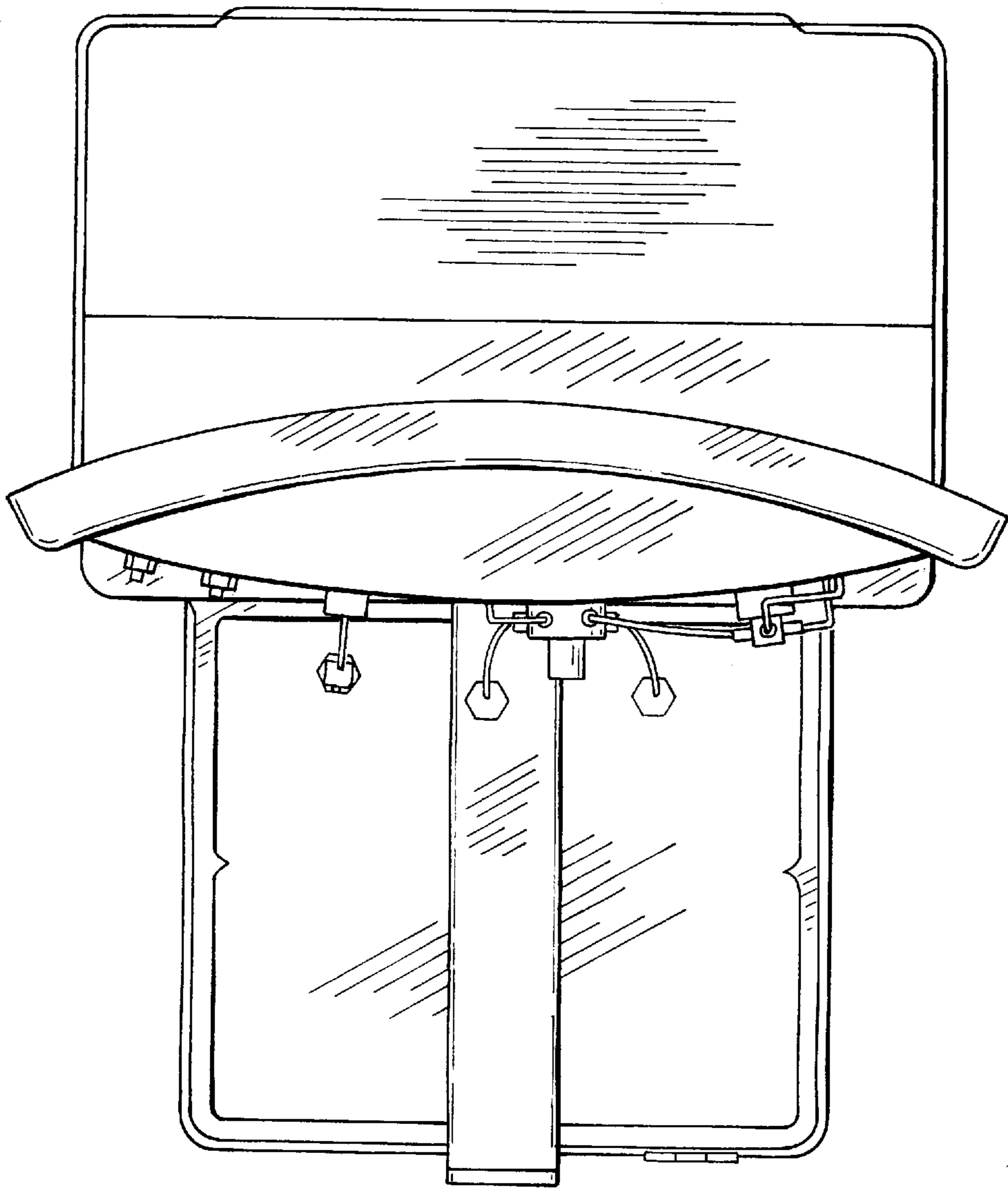


FIG. 4

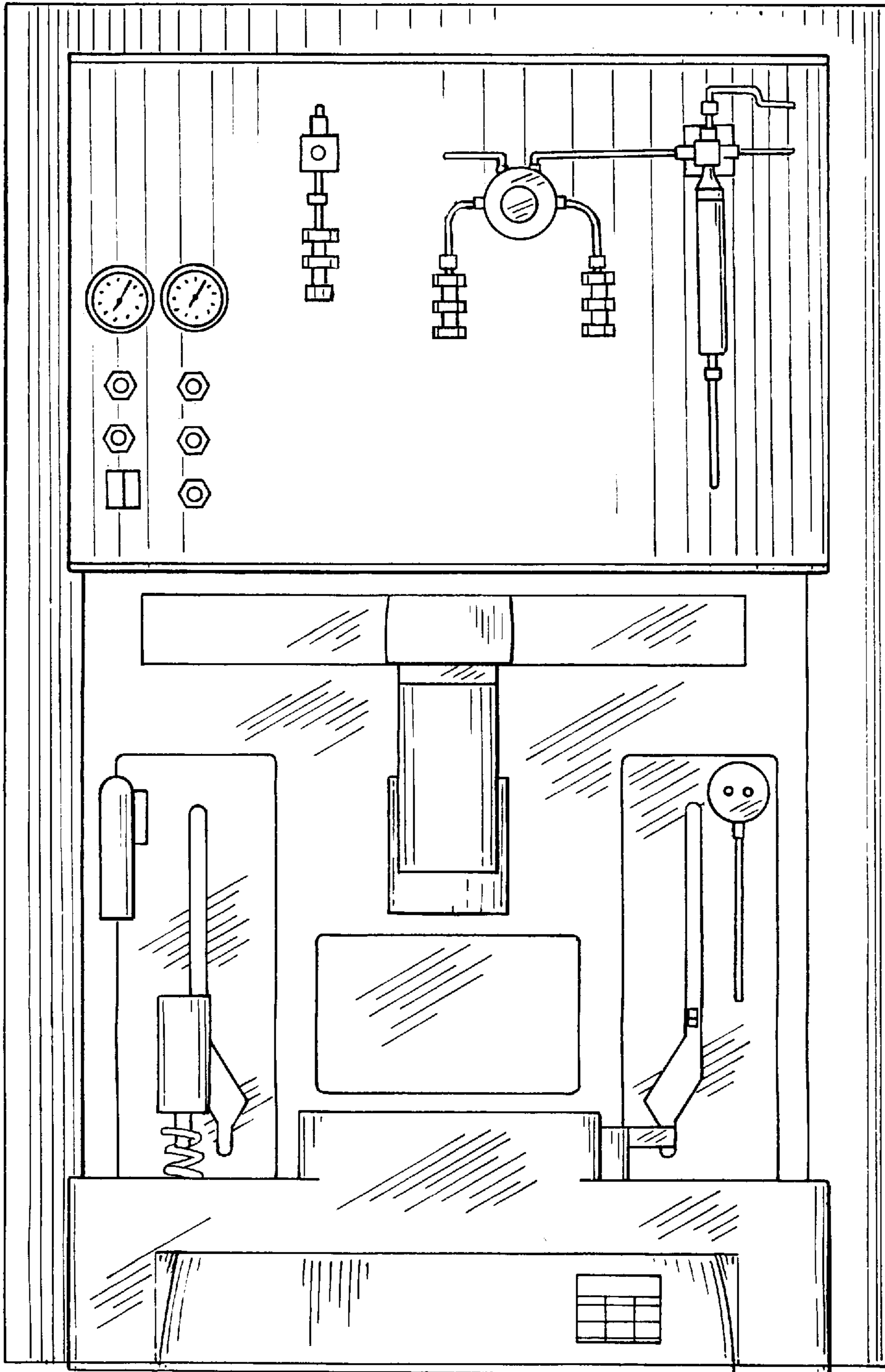


FIG. 5

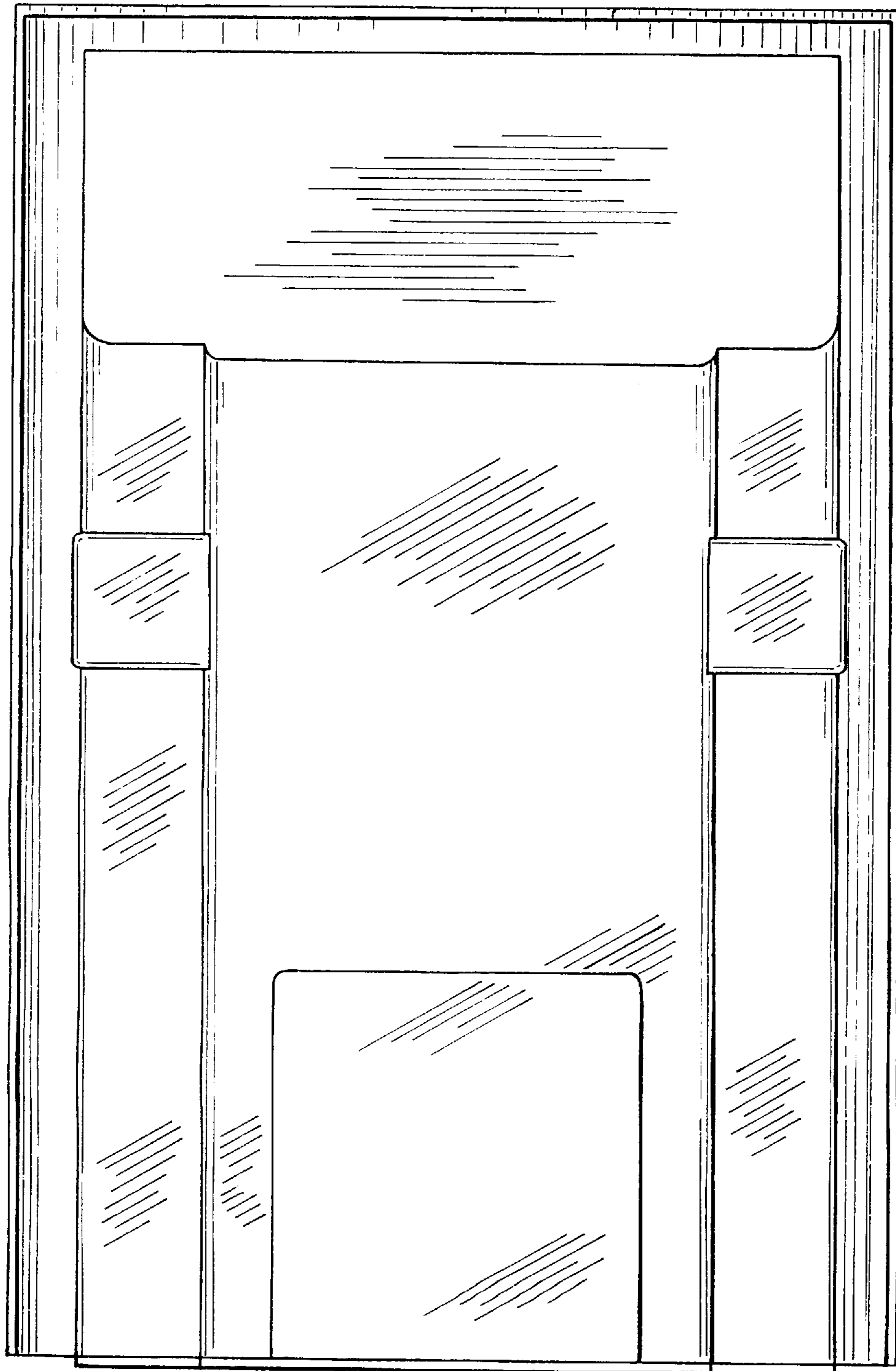


FIG. 6

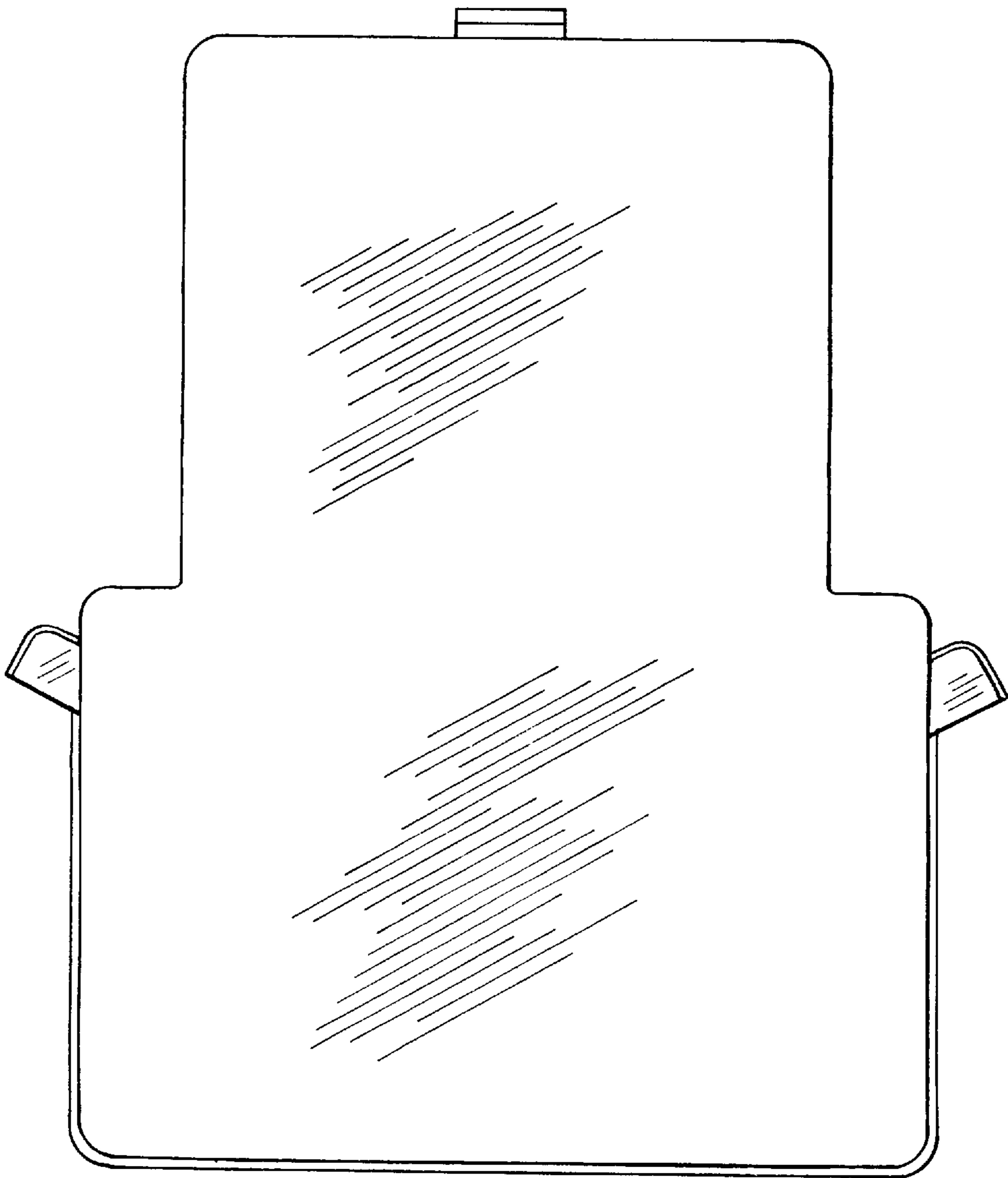
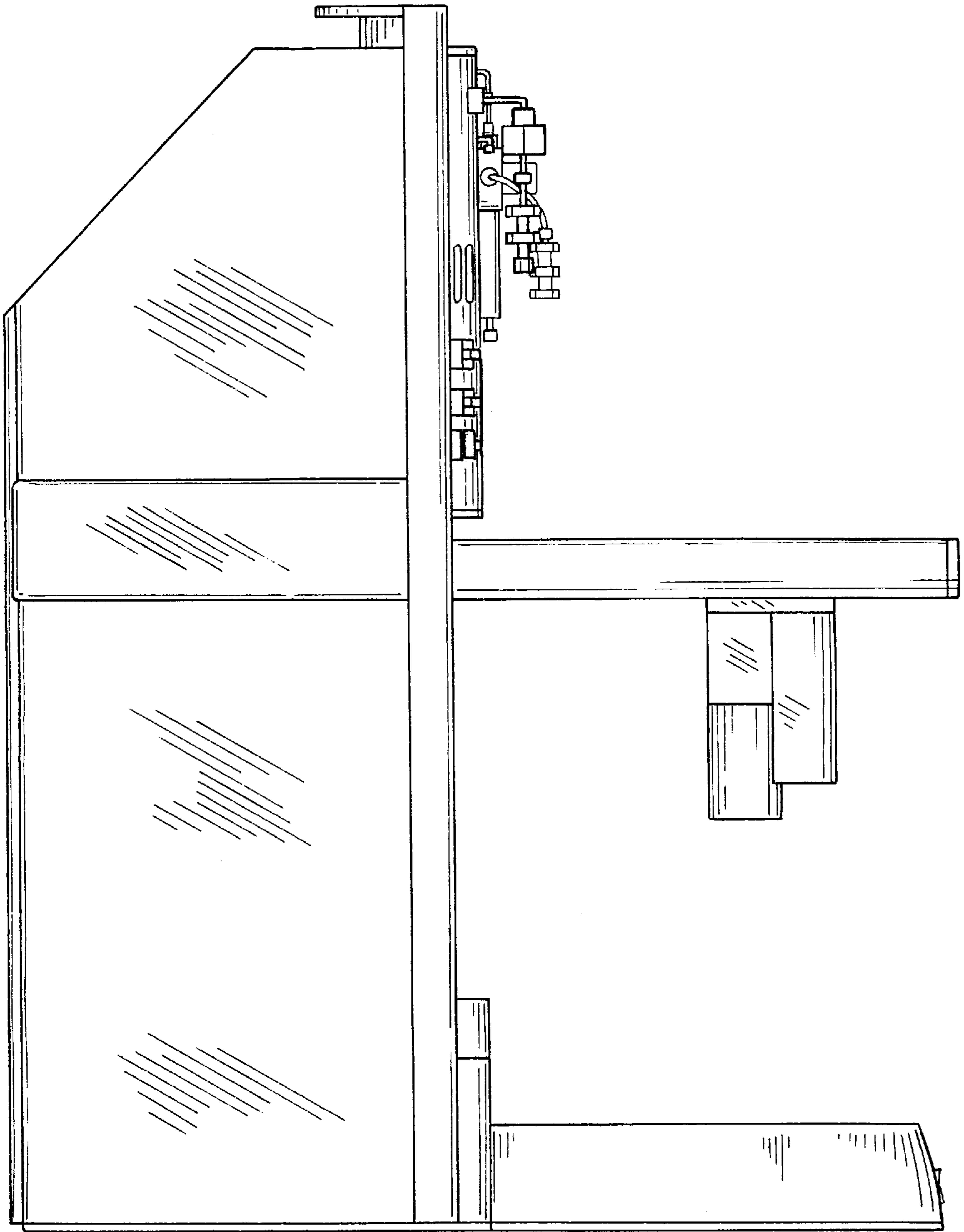


FIG. 7



UNITED STATES PATENT AND TRADEMARK OFFICE
CERTIFICATE OF CORRECTION

PATENT NO. : D406,900
DATED : March 16, 1999
INVENTOR(S) : Spencer B. Murrell, et al.

It is certified that error appears in the above-identified patent and that said Letters Patent is hereby corrected as shown below:

On the title page: Item [75] Inventors:

SECOND Inventor should be --Kresge--.

In the Description, "claim" should be --claimed--.

Signed and Sealed this
Seventeenth Day of October, 2000

Attest:



Q. TODD DICKINSON

Attesting Officer

Director of Patents and Trademarks