



US00D406893S

# United States Patent [19]

Menhennett et al.

[11] Patent Number: **Des. 406,893**

[45] Date of Patent: **\*\*Mar. 16, 1999**

[54] **APHERESIS SYSTEM**

[75] Inventors: **Tom Menhennett**, Louisville; **Tim Gordon**, Littleton; **Denise Garrison**, Bailey, all of Colo.; **Stan Wada**, Tarzana; **John von Buelow**, Oak Park, both of Calif.; **Fred Mudloff**, Louisville, Colo.; **Chuck Hake**, Arvada, Colo.; **Hong Nguyen**, Louisville, Colo.

[73] Assignee: **Cobe Laboratories, Inc.**, Lakewood, Colo.

[\*\*] Term: **14 Years**

[21] Appl. No.: **76,847**

[22] Filed: **Sep. 23, 1997**

[51] **LOC (6) Cl.** ..... **24-01**

[52] **U.S. Cl.** ..... **D24/169**

[58] **Field of Search** ..... D24/169; 210/745, 210/805, 782, 789, 645; 604/4, 5, 6

[56] **References Cited**

**U.S. PATENT DOCUMENTS**

- D. 314,824 2/1991 Moon .
- D. 367,534 2/1996 Diperna et al. .... D24/169

- D. 383,842 9/1997 Kenley et al. .
- D. 389,916 1/1998 Diperna et al. .... D24/169
- 5,112,298 5/1992 Prince et al. .... 604/6
- 5,387,187 2/1995 Fell et al. .... 604/6
- 5,462,416 10/1995 Dennehey et al. .
- 5,494,592 2/1996 Latham, Jr. et al. .... 210/805
- 5,653,887 8/1997 Wahl et al. .... 210/745

*Primary Examiner*—Stella Reid  
*Attorney, Agent, or Firm*—Edna M. O'Connor; Bruce R. Winsor

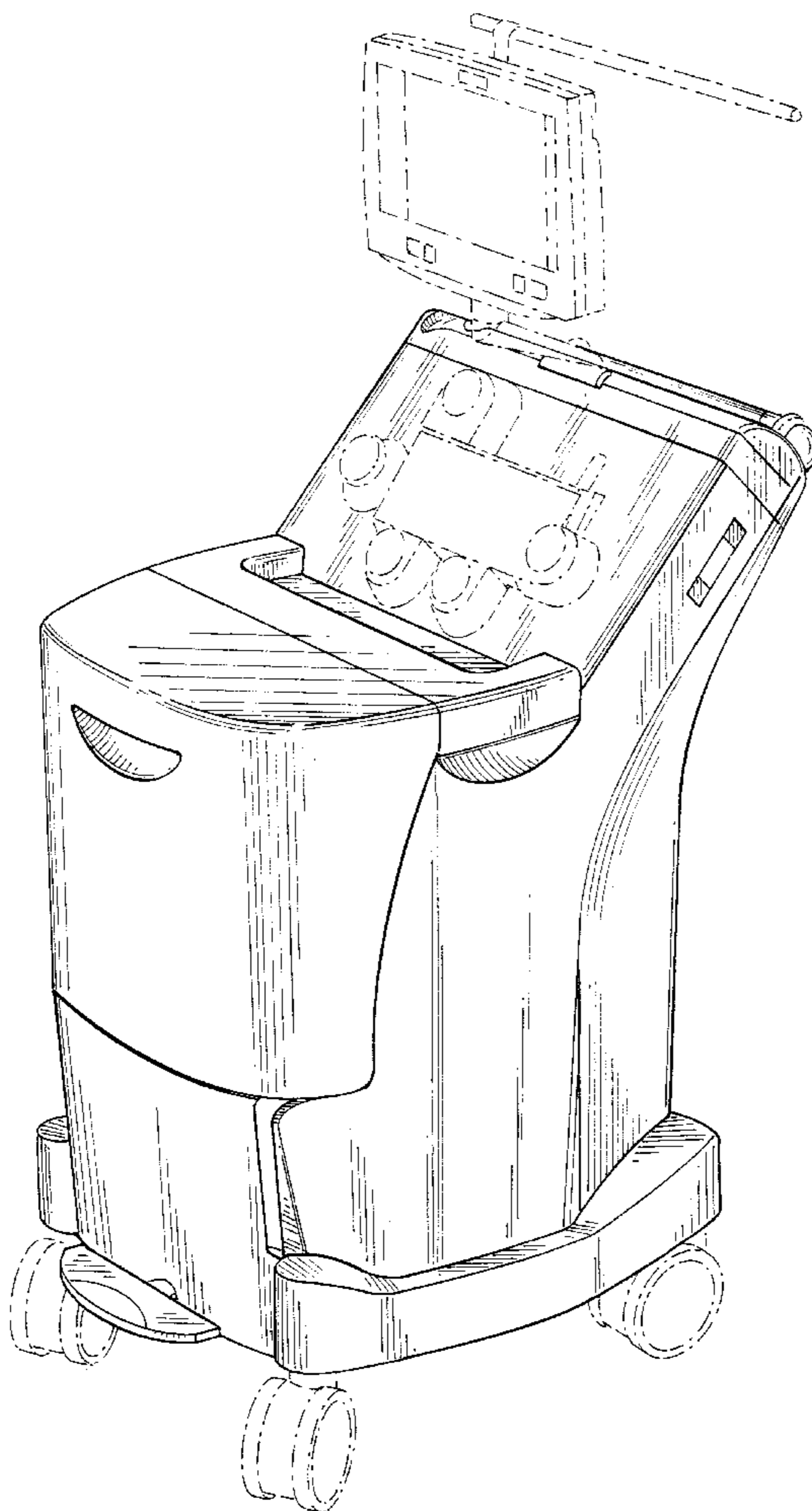
[57] **CLAIM**

The ornamental design for an apheresis system, as shown and described.

**DESCRIPTION**

FIG. 1 is a perspective view of an apheresis system showing our new design;  
FIG. 2 is a front view thereof;  
FIG. 3 is a rear view thereof;  
FIG. 4 is a side view thereof;  
FIG. 5 is a side view thereof, opposite that shown in FIG. 4;  
FIG. 6 is a top view thereof; and,  
FIG. 7 is a bottom view.  
The broken line showing in FIGS. 1–7 is for illustrative purposes only and forms no part of the claimed design.

**1 Claim, 6 Drawing Sheets**



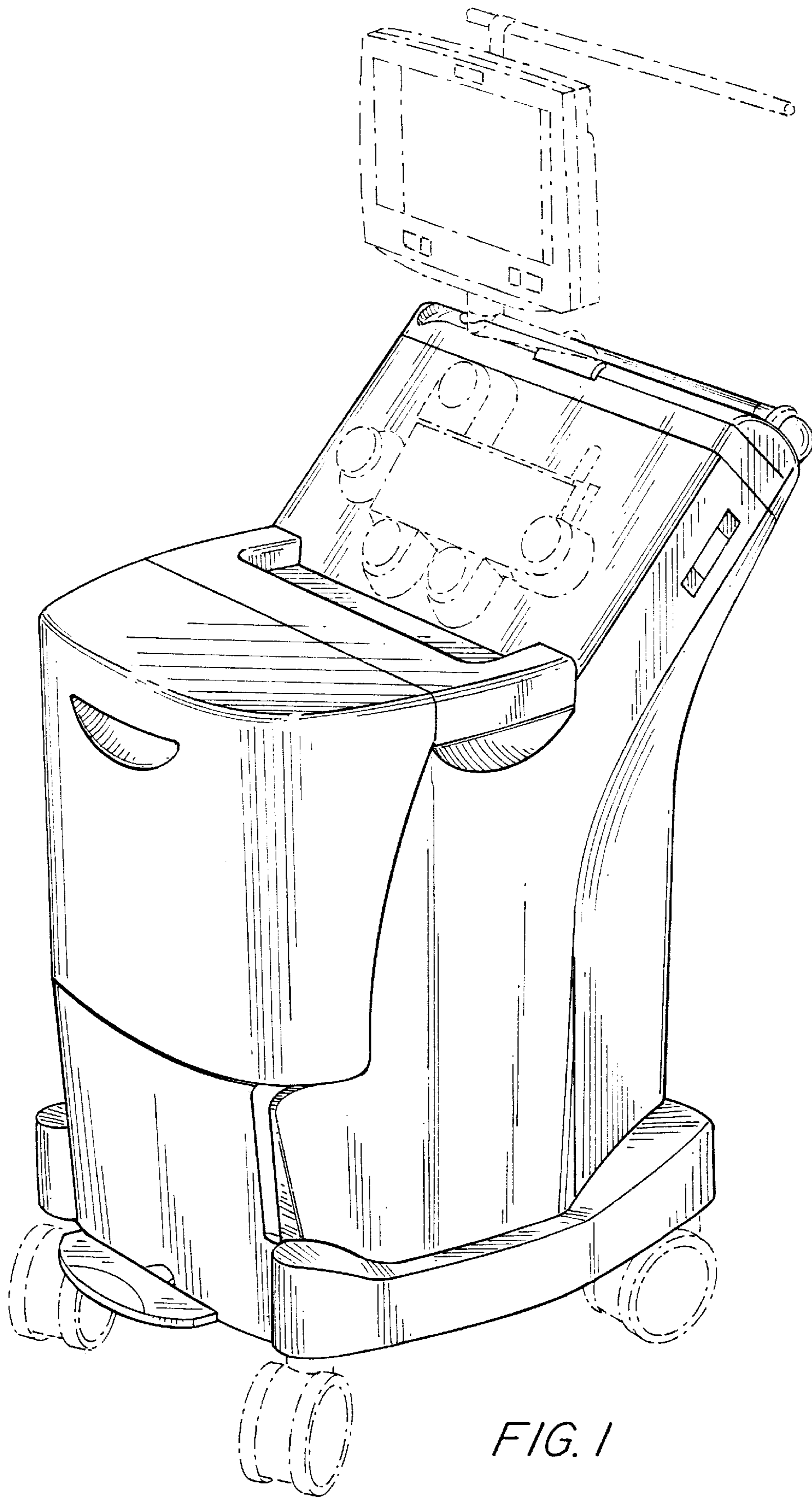


FIG. 1

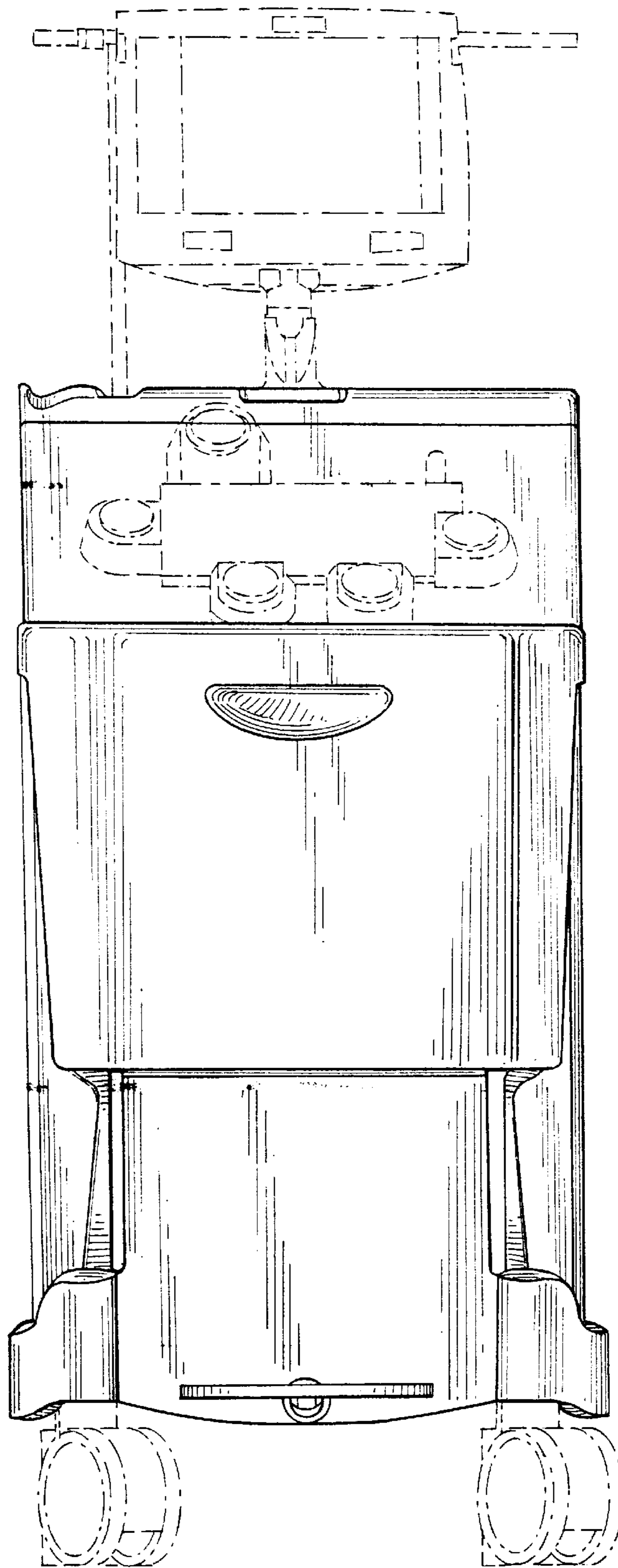


FIG. 2

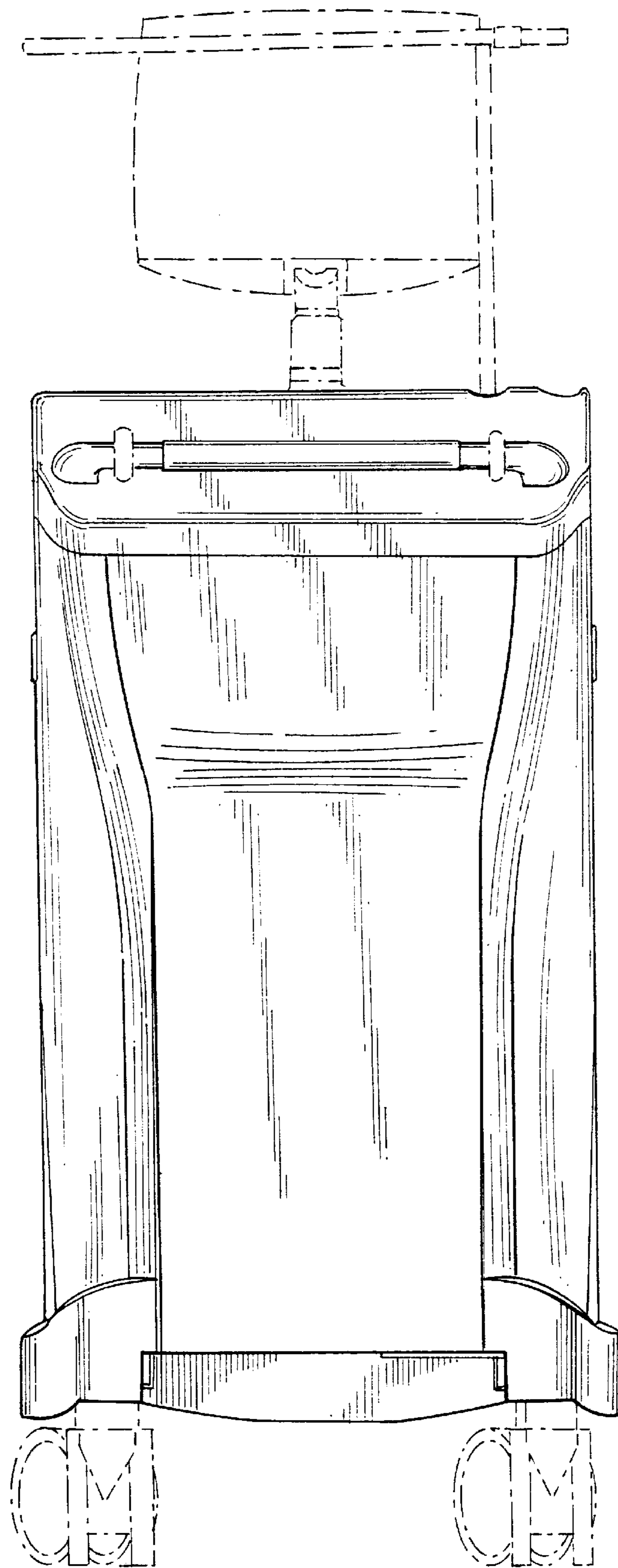


FIG. 3

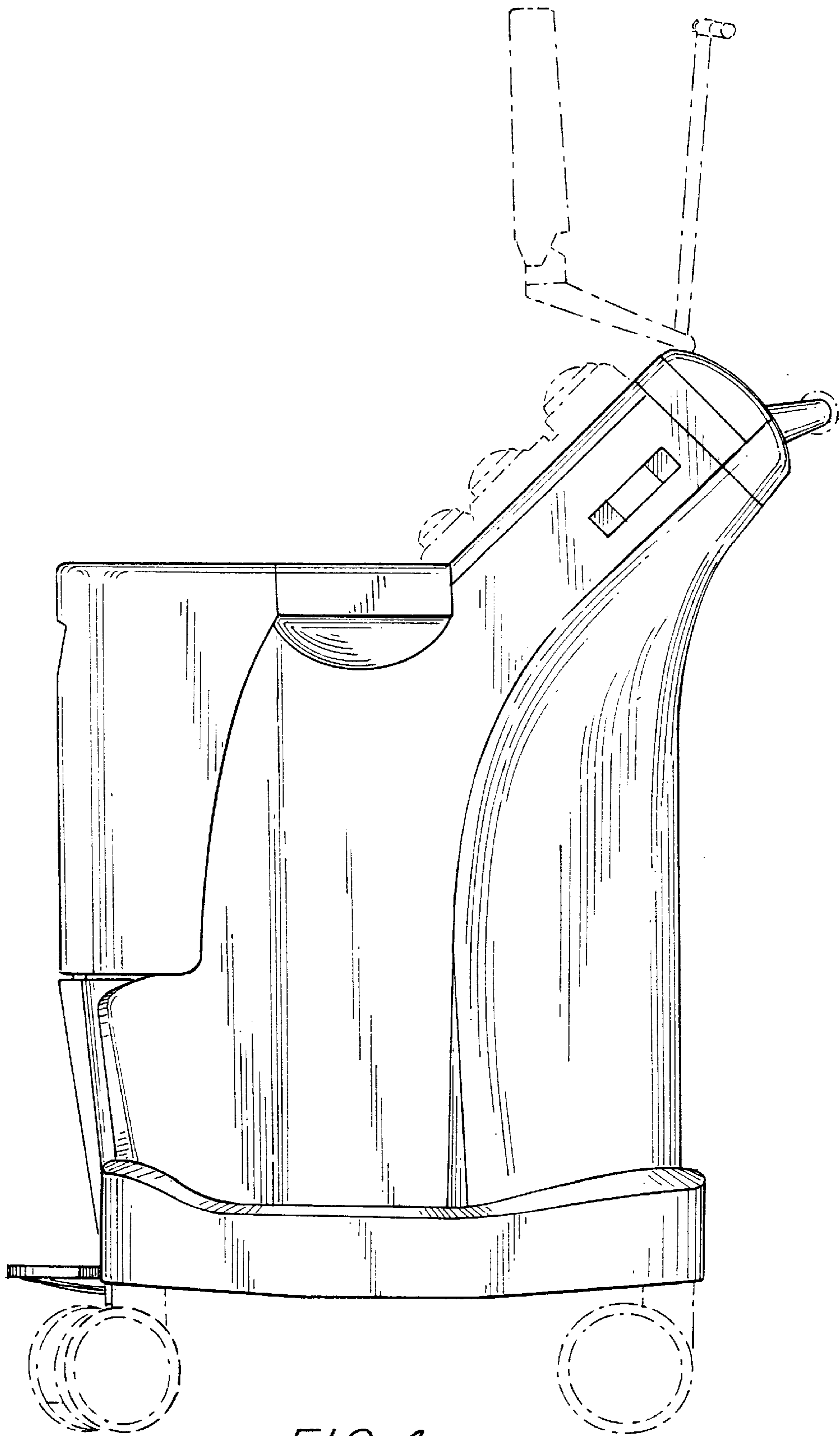


FIG. 4

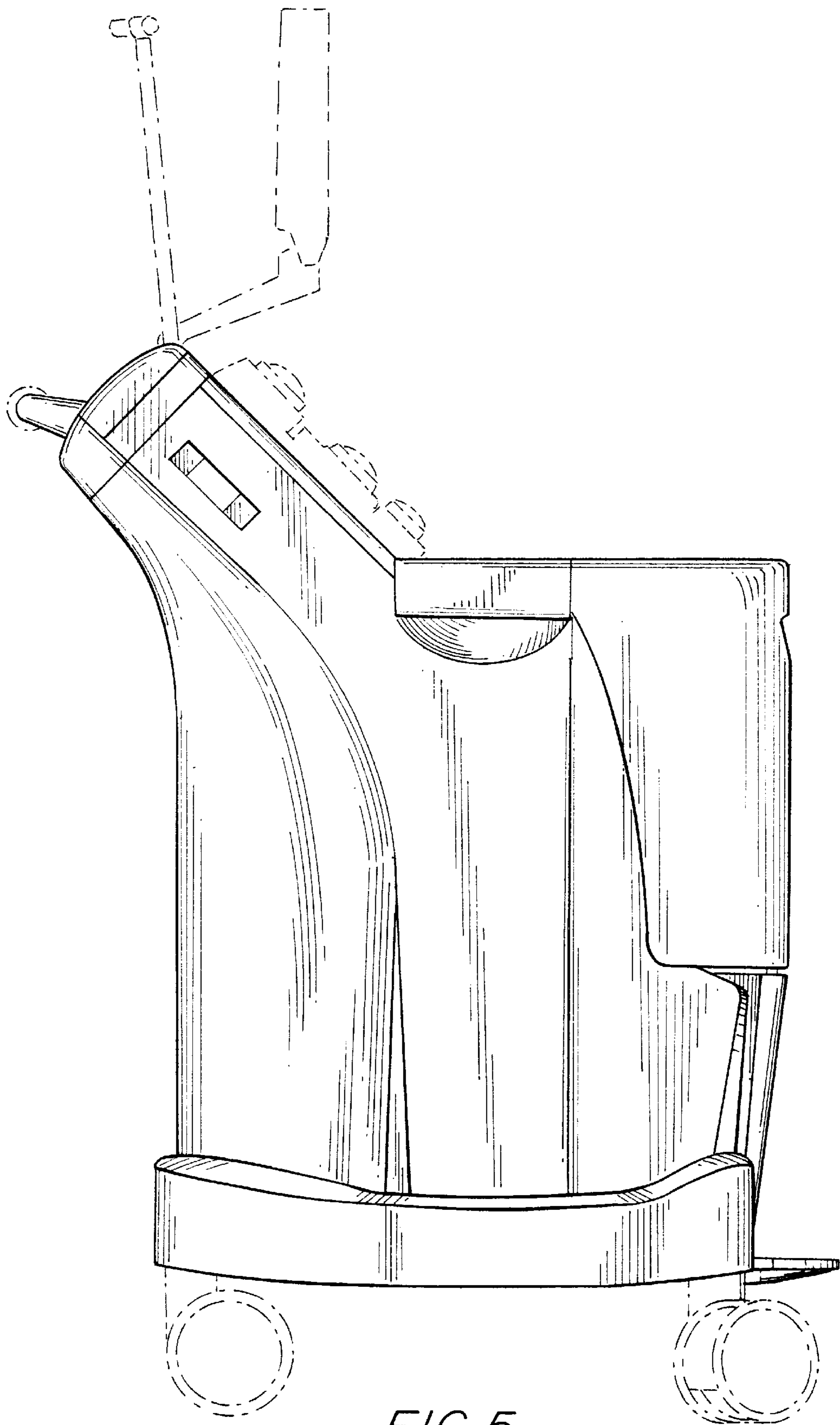


FIG. 5

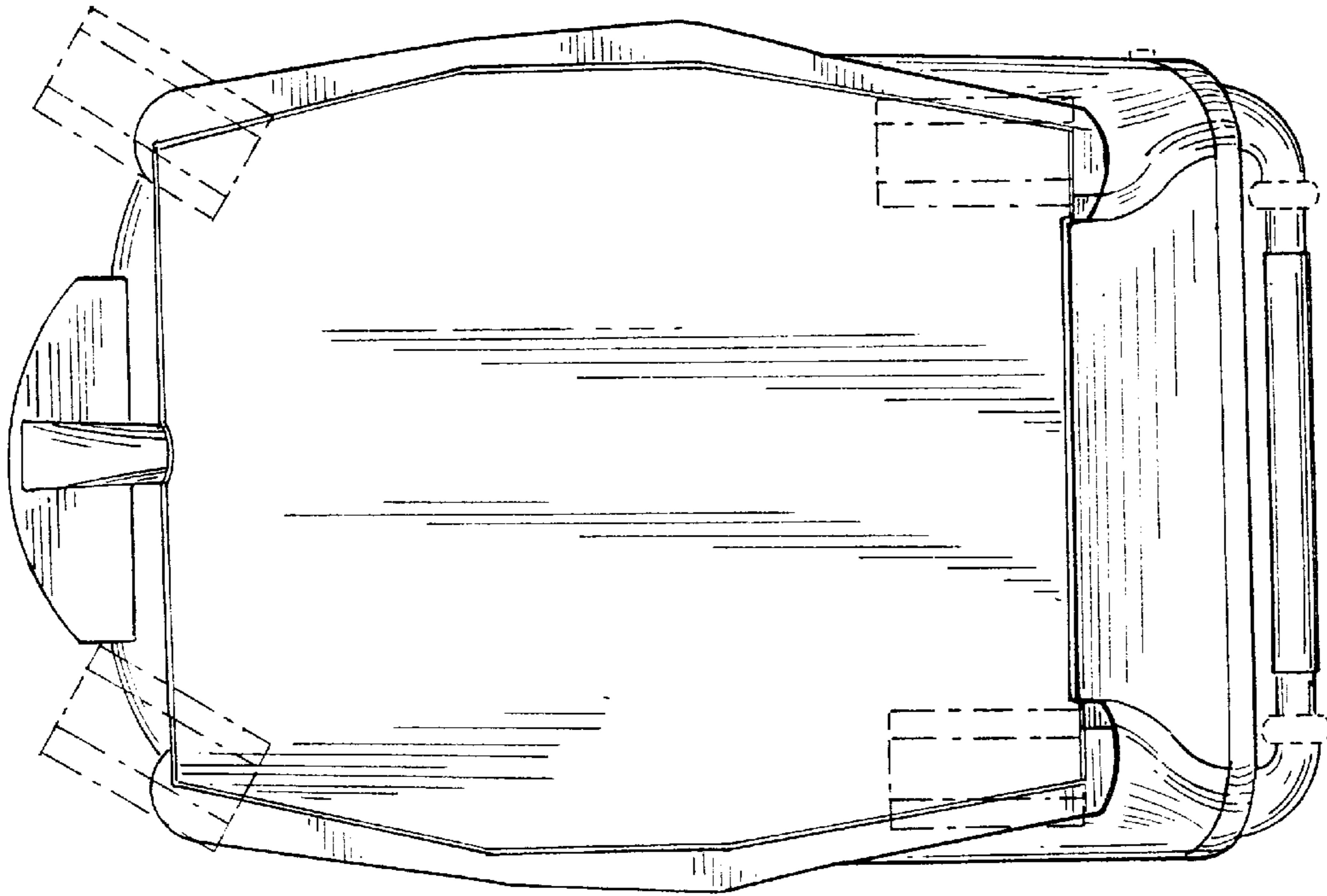


FIG. 7

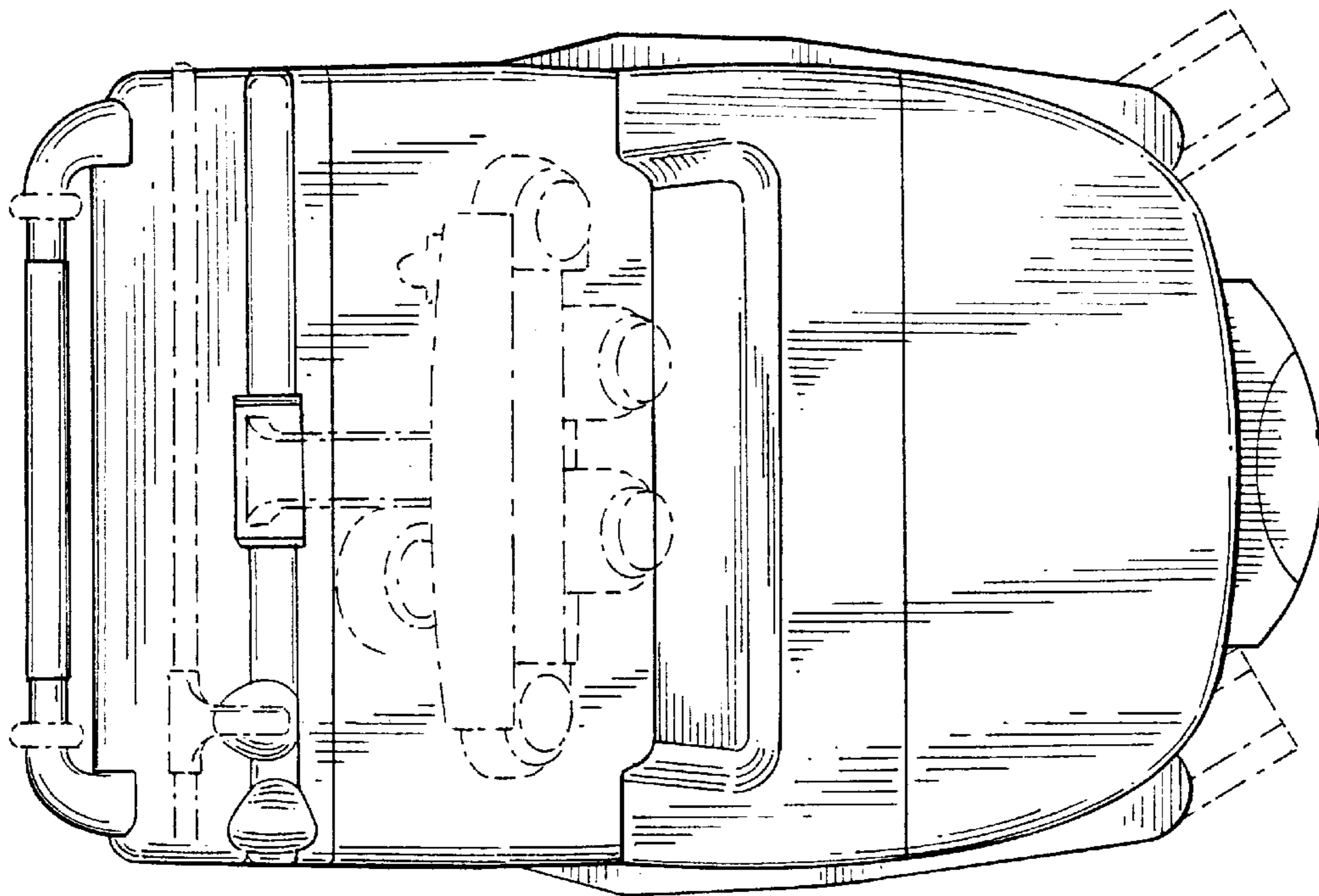


FIG. 6