



US00D406892S

United States Patent [19]
Warren

[11] **Patent Number: Des. 406,892**
[45] **Date of Patent: **Mar. 16, 1999**

[54] **DENTAL X-RAY HOLDER**

[75] Inventor: **Lonnie Warren**, Roland, Ark.
[73] Assignee: **Moosehorn, Inc.**, Roland, Ark.
[**] Term: **14 Years**

[21] Appl. No.: **66,846**
[22] Filed: **Feb. 19, 1997**

[51] **LOC (6) Cl.** **24-01**
[52] **U.S. Cl.** **D24/161; D24/176**
[58] **Field of Search** **D24/176-182,**
D24/161; 433/80; 378/167-170, 205-204

[56] **References Cited**

U.S. PATENT DOCUMENTS

D. 168,992	3/1953	Goldberg	D24/161
D. 294,639	3/1988	Croll	D24/176
2,245,395	6/1941	Goldberg	378/168
5,189,686	2/1993	Hixson, Sr.	378/167
5,450,465	9/1995	Tanaka	378/168

FOREIGN PATENT DOCUMENTS

0387873 5/1965 Switzerland 378/170

Primary Examiner—Louis S. Zarfes
Assistant Examiner—G. Albert Andoll

[57] **CLAIM**

The ornamental design for a dental X-ray holder, as shown and described.

DESCRIPTION

FIG. 1 is a front perspective view of a dental X-ray holder showing my new design;
FIG. 2 is a rear perspective view thereof;
FIG. 3 is a top plain view thereof;
FIG. 4 is a right side elevational view thereof, the left side being a mirror image thereof;
FIG. 5 is a bottom plain view thereof;
FIG. 6 is a front elevational view thereof; and,
FIG. 7 is a rear elevational view thereof.

1 Claim, 2 Drawing Sheets

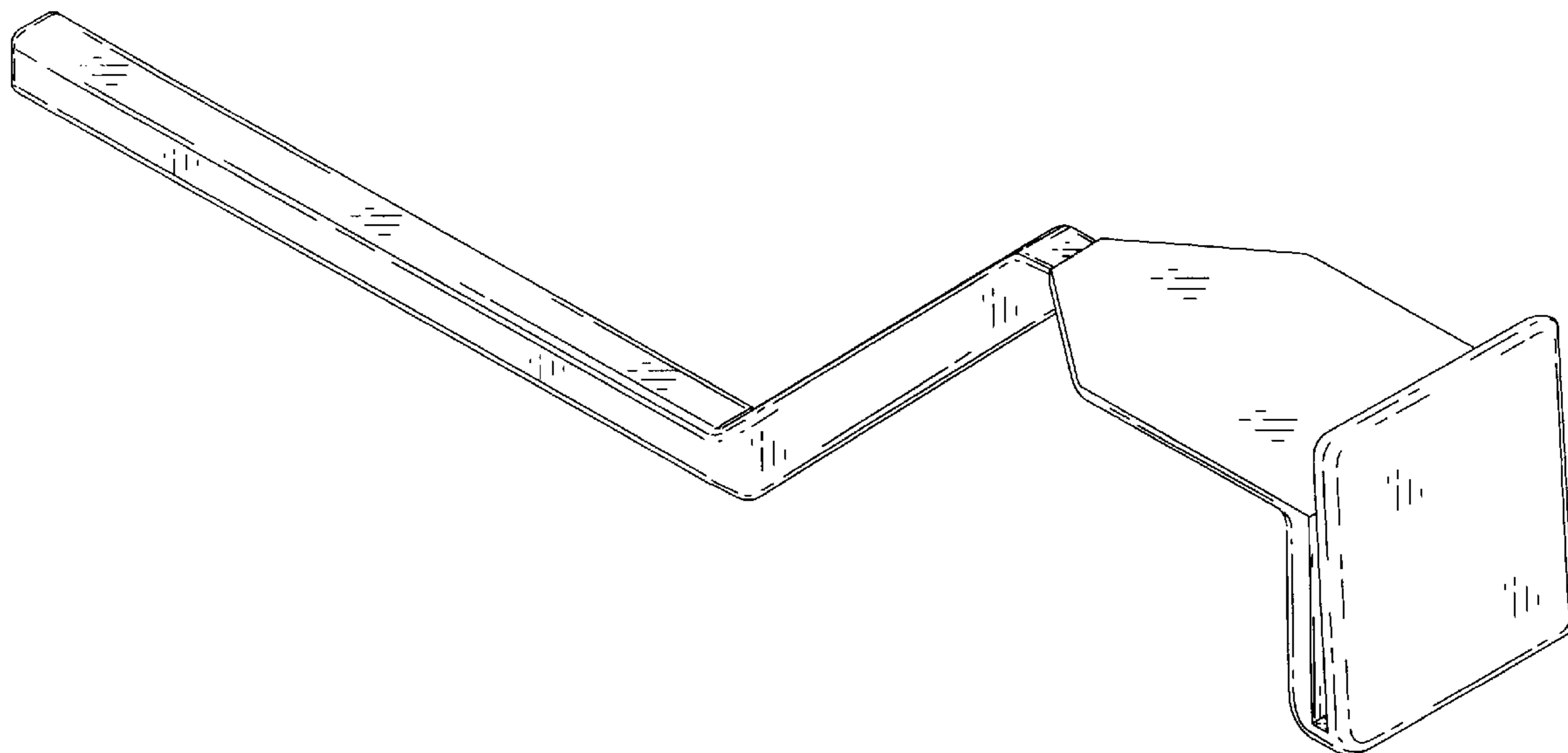


FIG. 1

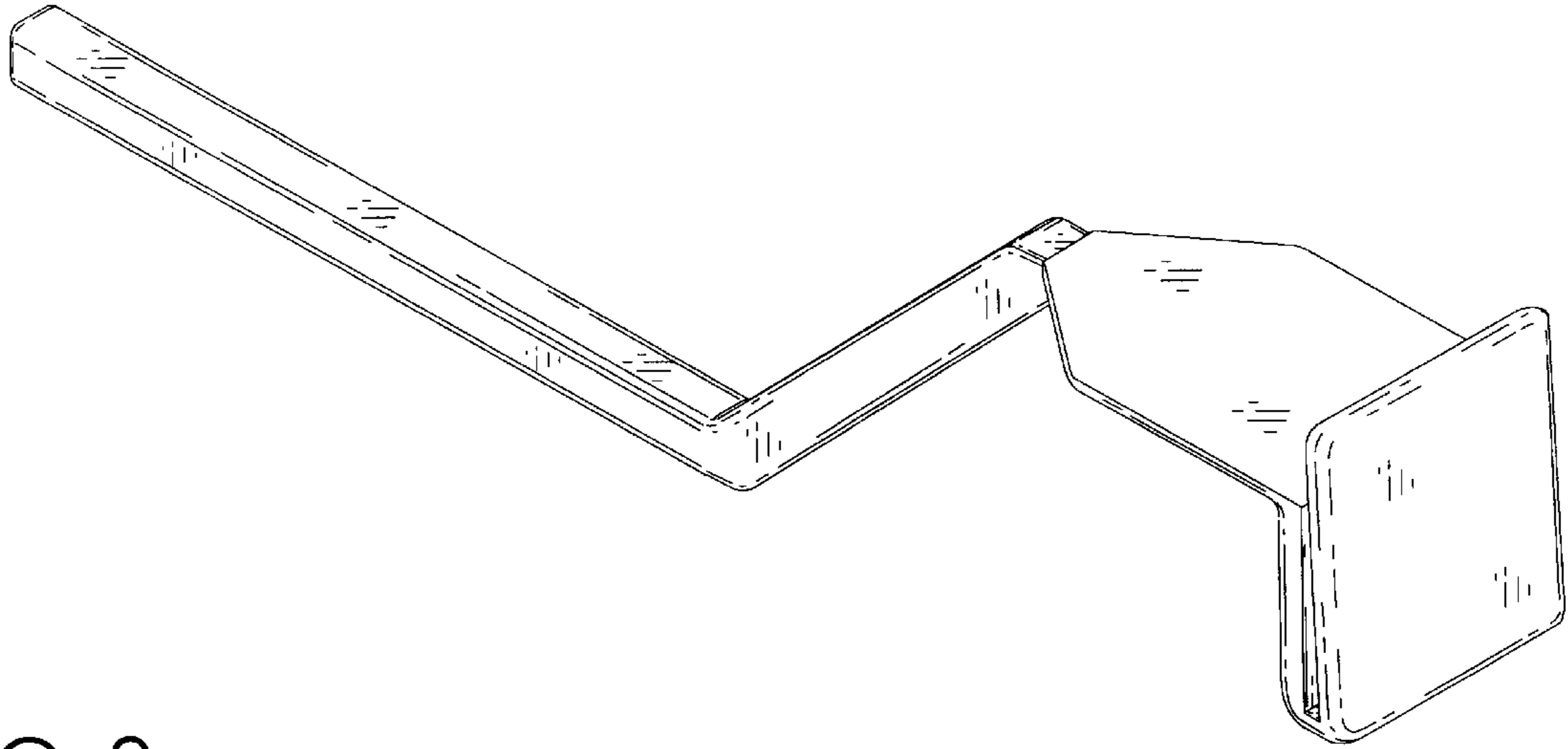


FIG. 2

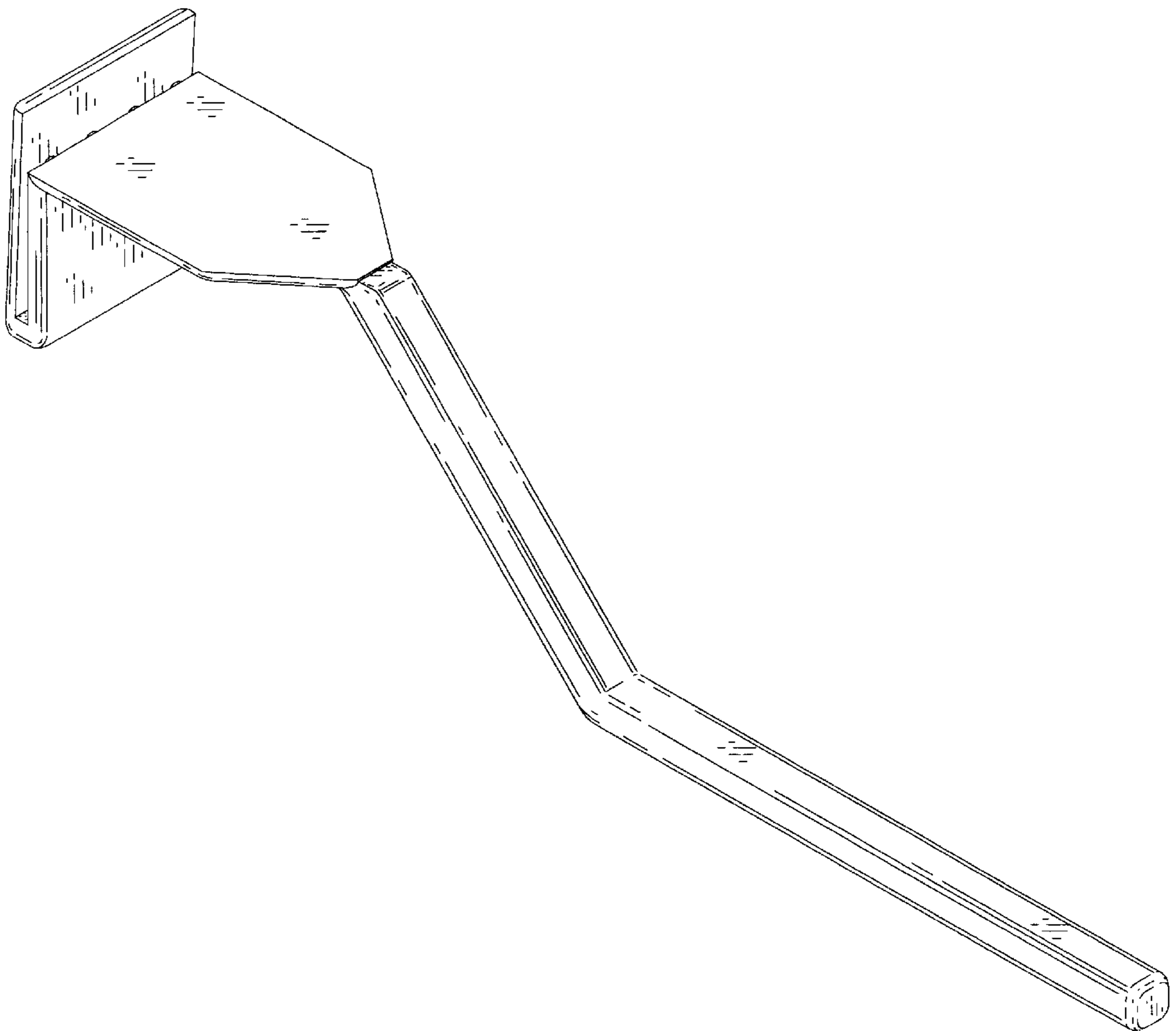


FIG. 3

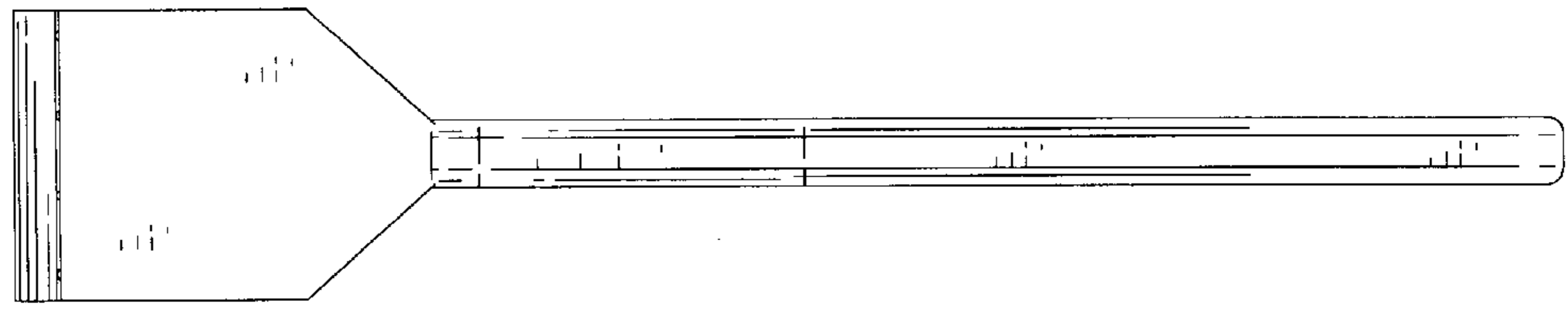


FIG. 4

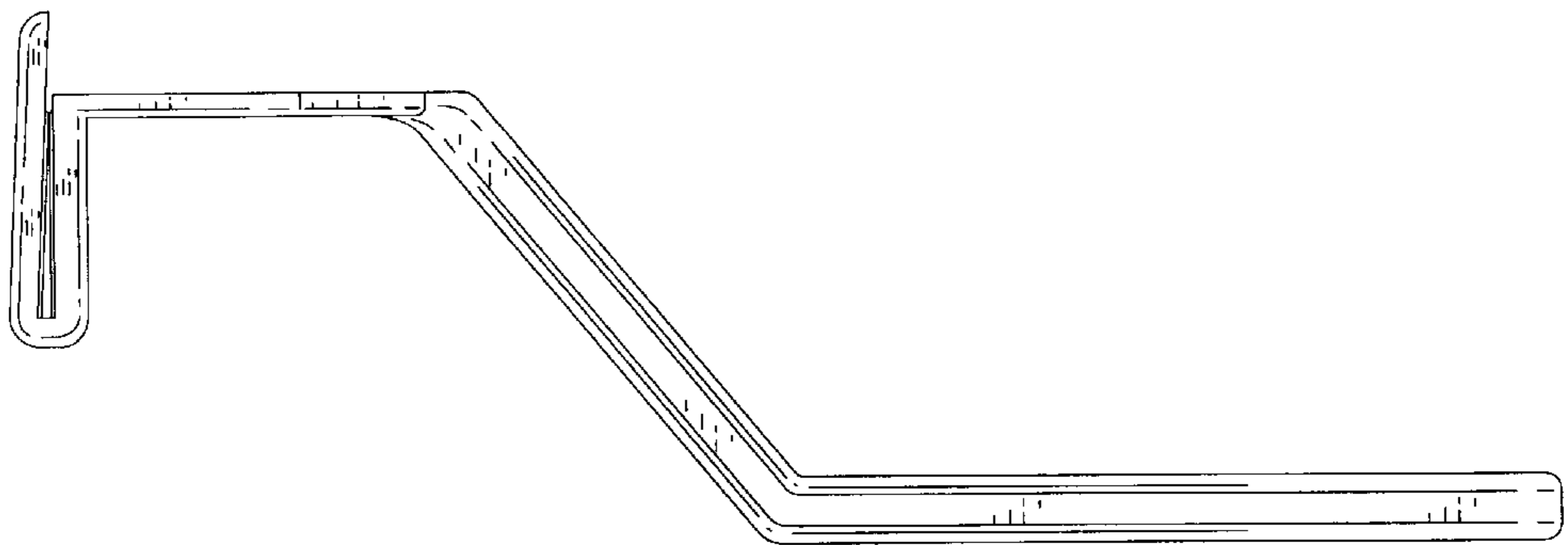


FIG. 5

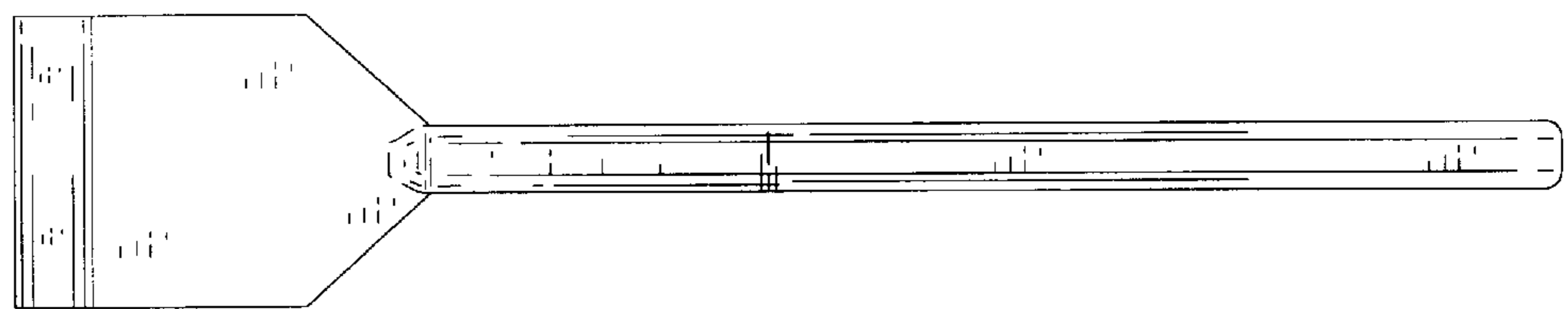


FIG. 6

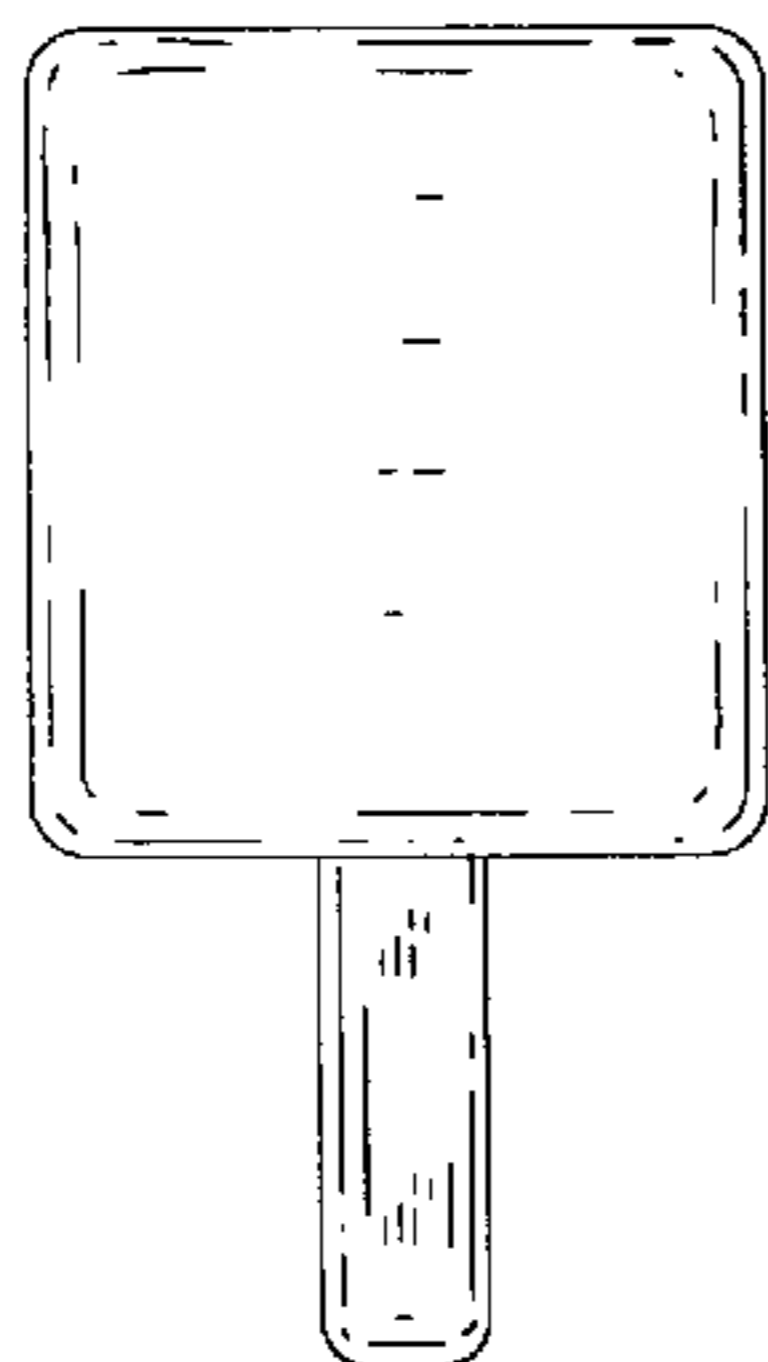


FIG. 7

