



US00D406890S

United States Patent [19] Doyle

[11] **Patent Number: Des. 406,890**

[45] **Date of Patent: **Mar. 16, 1999**

[54] **COMPRESSIBLE NASAL PACKING**

[76] Inventor: **Donald E. Doyle**, 4105 Hospital Rd.,
Suite 102-A, Pascagoula, Miss. 39581

[**] Term: **14 Years**

[21] Appl. No.: **86,176**

[22] Filed: **Apr. 8, 1998**

[51] **LOC (6) Cl. 24-04**

[52] **U.S. Cl. D24/124**

[58] **Field of Search D24/124; 606/196,**
606/199, 192; 604/907, 286, 285, 1, 358

[56] **References Cited**

U.S. PATENT DOCUMENTS

D. 287,880	1/1987	Doyle	D24/124
D. 390,658	2/1998	Doyle	D24/124
4,030,504	6/1977	Doyle	606/199

4,950,280	8/1990	Brennan	606/196
5,336,163	8/1994	DeMane et al.	606/192 X
5,755,706	5/1998	Kronenthal	606/196 X

Primary Examiner—Stella Reid
Attorney, Agent, or Firm—Roger A. Marrs

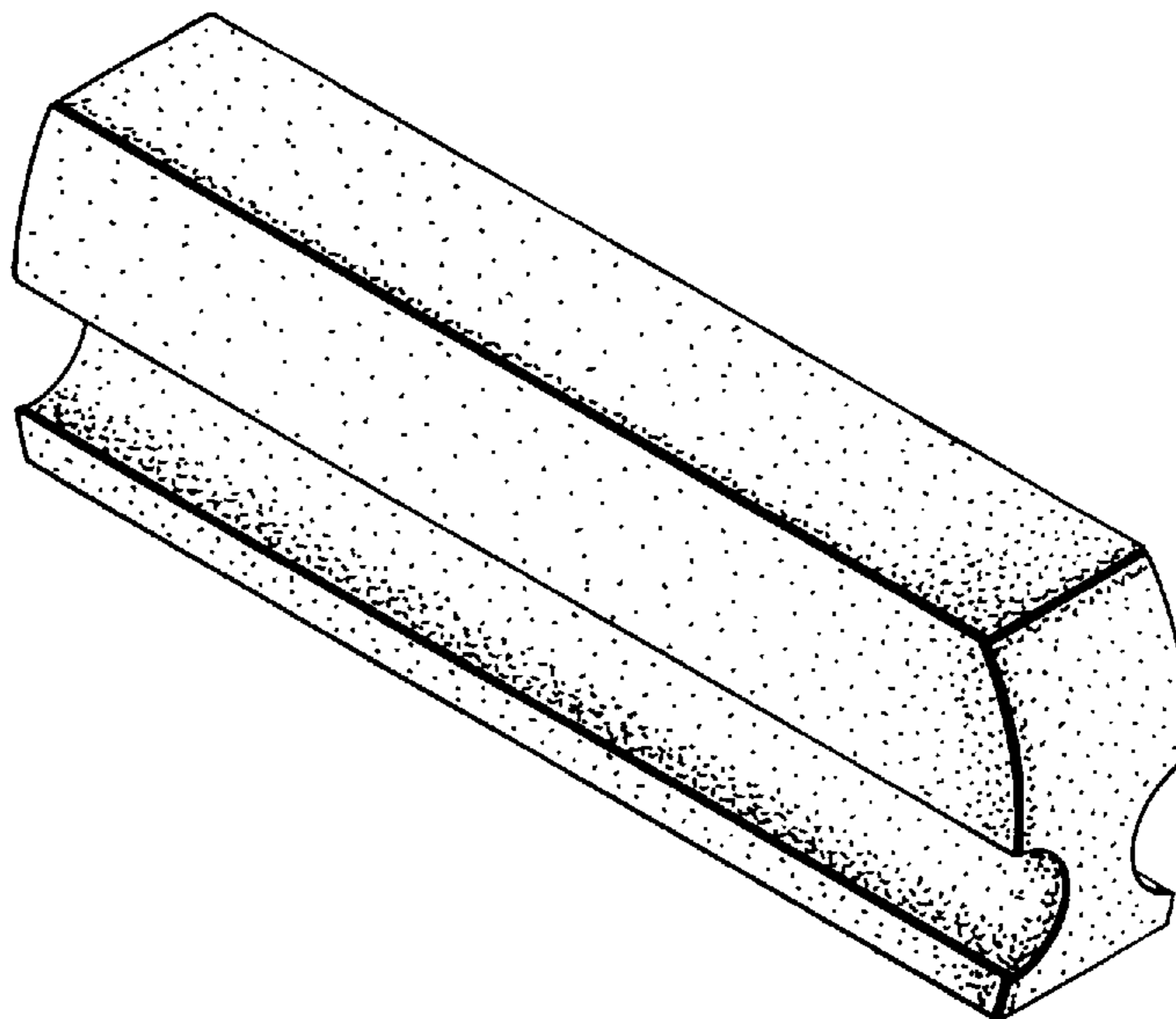
[57] **CLAIM**

The ornamental design for compressible nasal packing, as shown and described.

DESCRIPTION

FIG. 1 is a front perspective view showing my new design for a compressible nasal packing;
FIG. 2 is a side elevational view thereof with the opposite being a mirror image thereof;
FIG. 3 is an end view thereof with the opposite end being a mirror image; and,
FIG. 4 is a bottom view thereof.

1 Claim, 1 Drawing Sheet



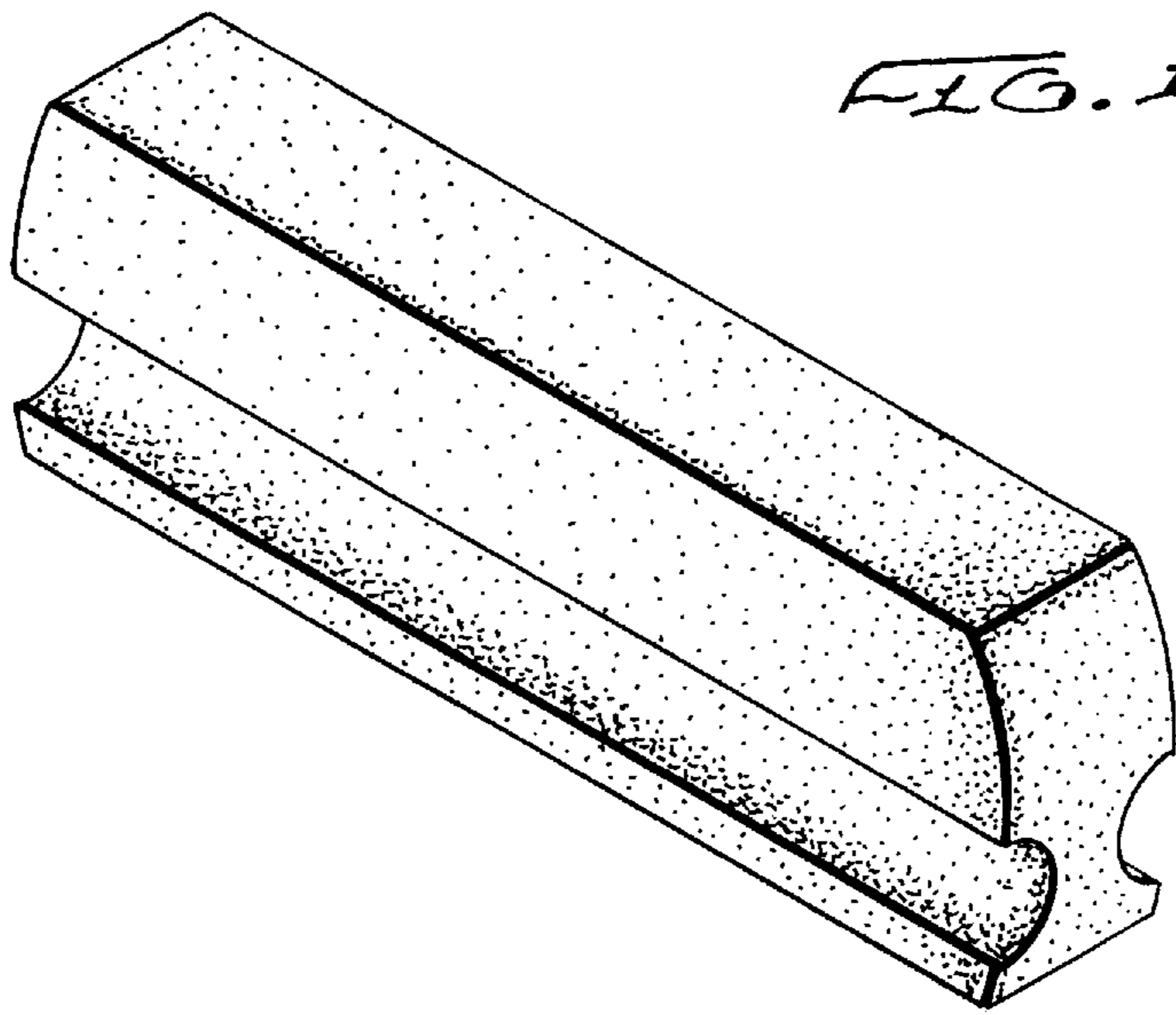


FIG. 1

FIG. 2

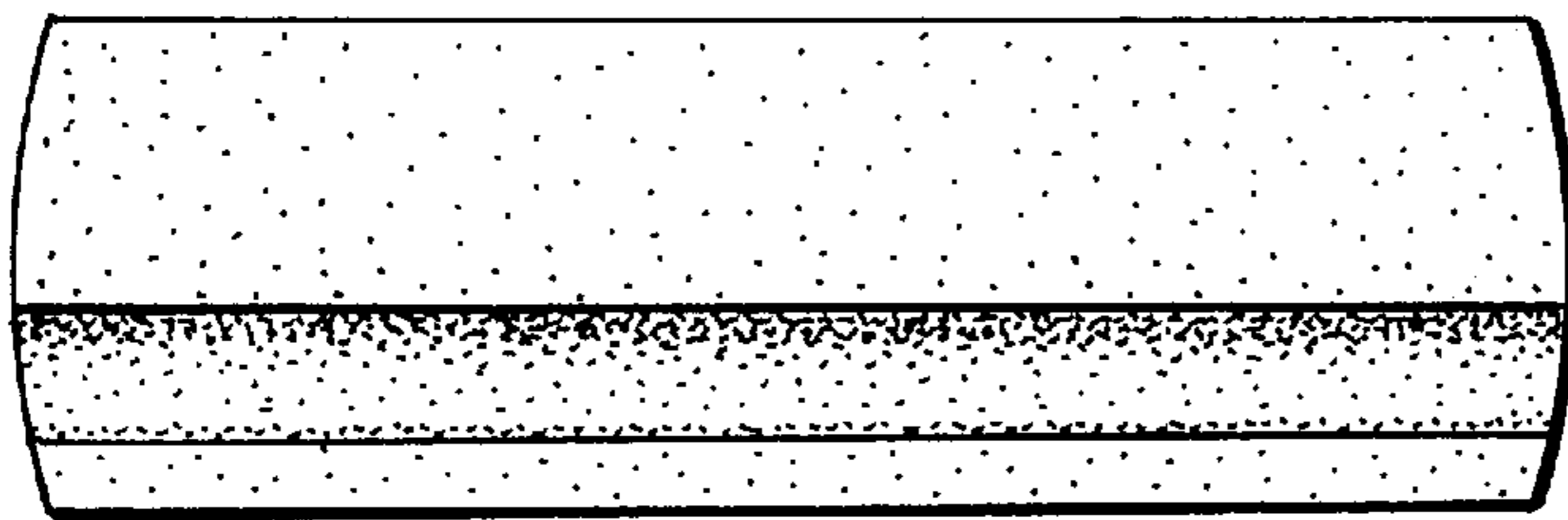


FIG. 3

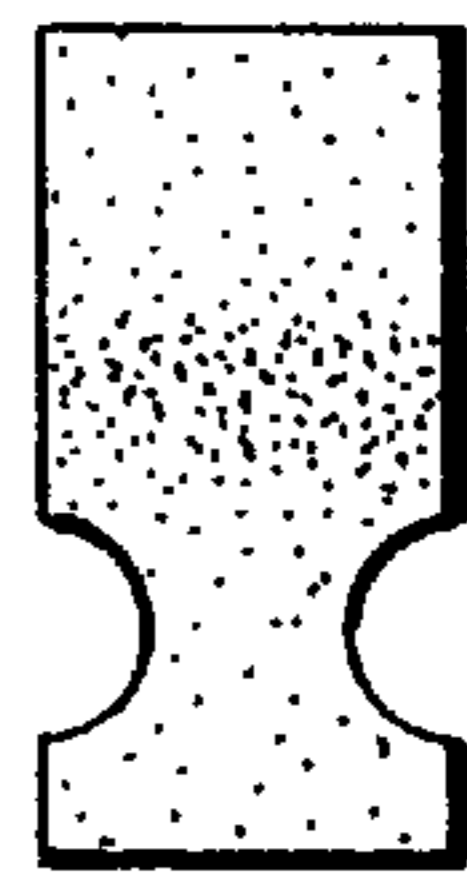


FIG. 4