



US00D406889S

# United States Patent [19]

Hesson et al.

[11] Patent Number: **Des. 406,889**

[45] Date of Patent: **\*\*Mar. 16, 1999**

[54] **DRIPLESS MEDICINE DROPPER**

5,154,702 10/1992 Foyil ..... 604/212  
5,478,325 12/1995 Fu-Hsiang ..... 604/212

[76] Inventors: **Melissa Hesson; Mark A. Hesson**, both of Rte. #2 Box 245D, Lowell, Ohio 45744

*Primary Examiner*—Pamela Burgess

[\*\*] Term: **14 Years**

### [57] CLAIM

The ornamental design for a dripless medicine dropper, as shown and described.

[21] Appl. No.: **70,679**

### DESCRIPTION

[22] Filed: **May 13, 1997**

[51] **LOC (6) Cl.** ..... **24-04**

[52] **U.S. Cl.** ..... **D24/115**

[58] **Field of Search** ..... D24/115, 108, D24/133, 110; D9/544, 338, 443, 573, 301; 604/294, 295, 298, 212, 217, 275; 222/215

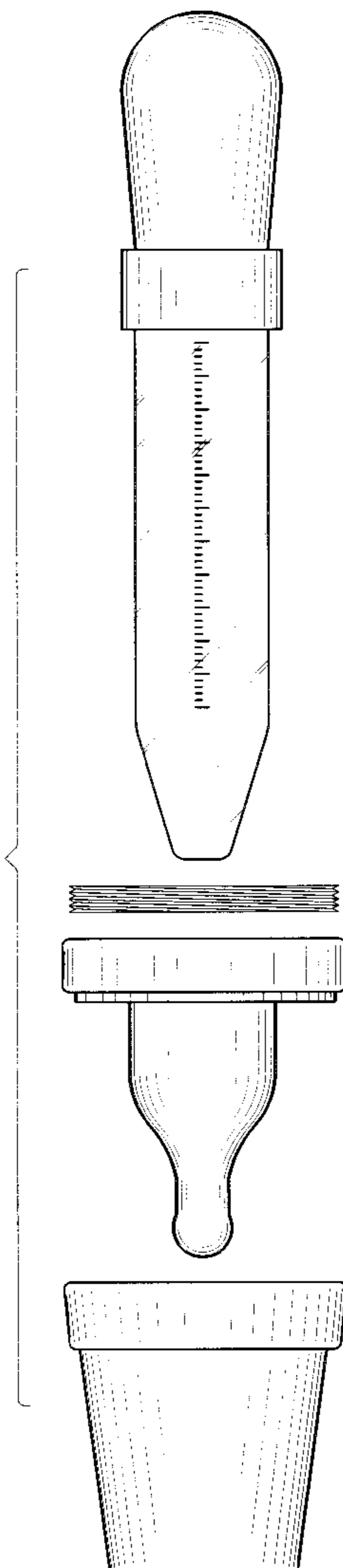
FIG. 1 is a front elevational view of a dripless medicine dropper of the present invention;  
FIG. 2 is a rear elevational view thereof;  
FIG. 3 is a left side elevational view thereof;  
FIG. 4 is a right side elevational view thereof;  
FIG. 5 is a top plan view thereof;  
FIG. 6 is a bottom plan view thereof; and,  
FIG. 7 is a front elevational view thereof, in exploded position, it being understood that all undisclosed sides of the two central elements are the same as shown on the front side of said elements.

### [56] References Cited

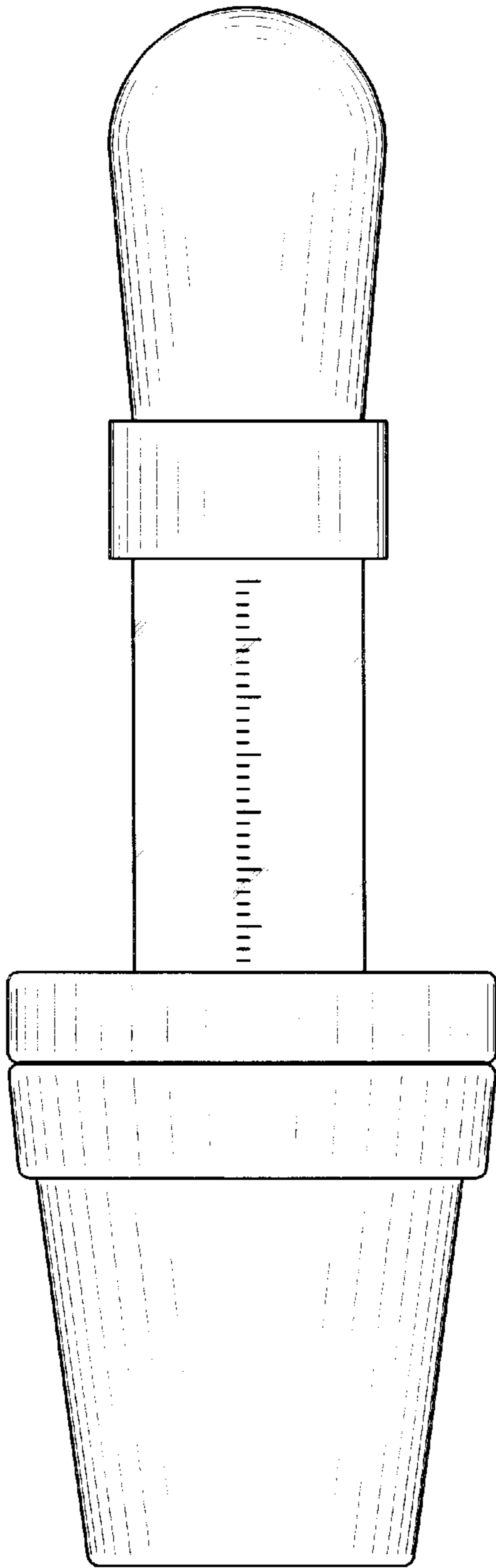
#### U.S. PATENT DOCUMENTS

- D. 362,808 10/1995 Scott et al. .... D24/115 X
- D. 369,211 4/1996 Weiler ..... D24/110
- 3,295,523 1/1967 Weichsellaum ..... 604/217

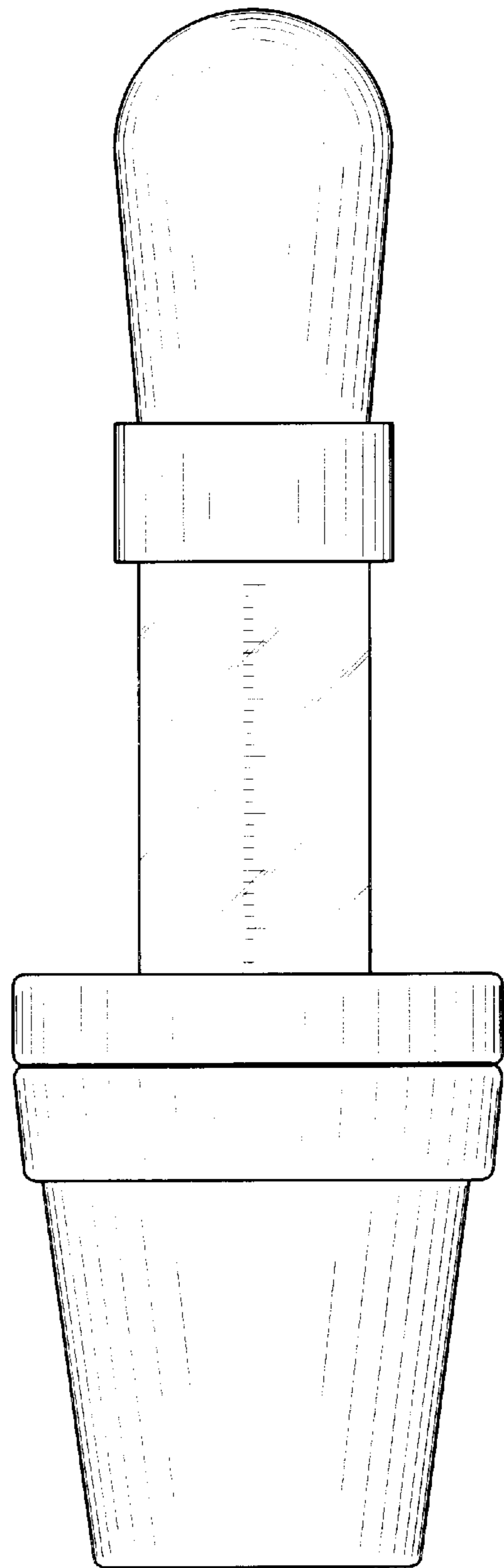
**1 Claim, 3 Drawing Sheets**



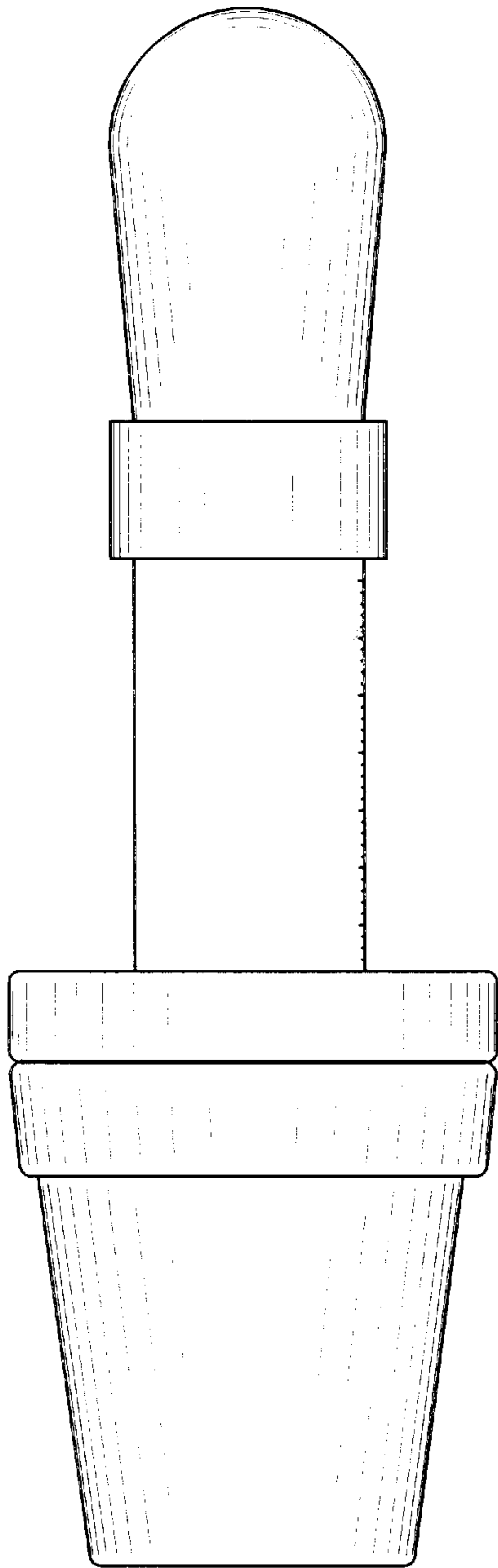
*FIG. 1*



*FIG. 2*



*FIG. 3*



*FIG. 4*

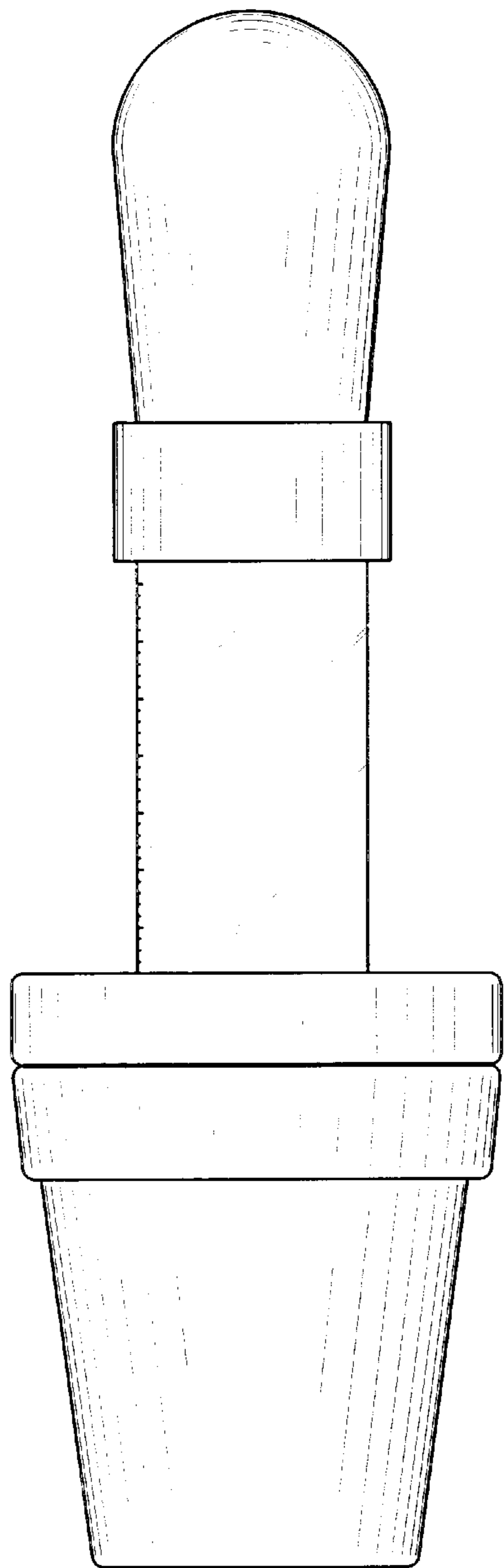


FIG. 5

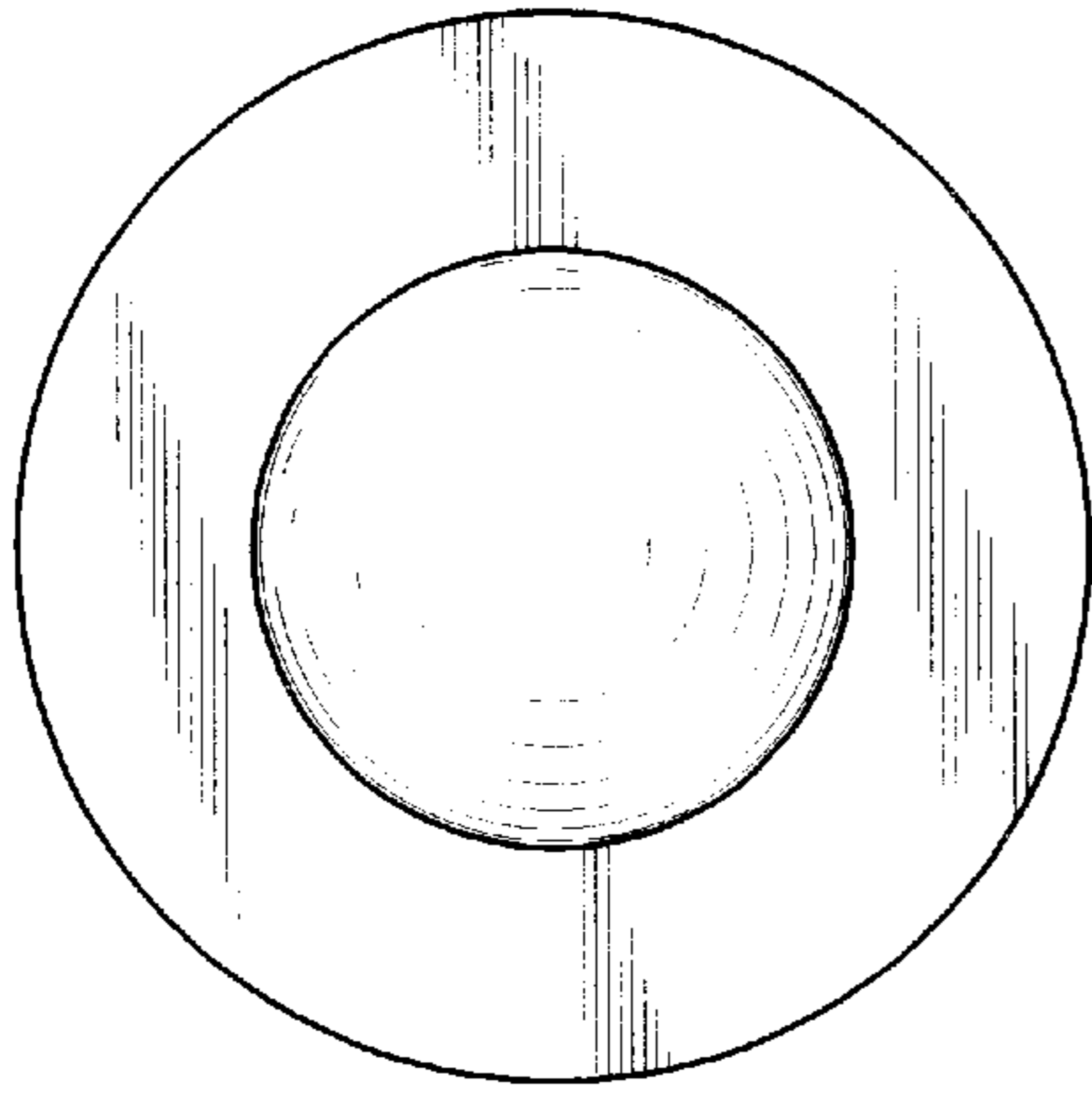


FIG. 6

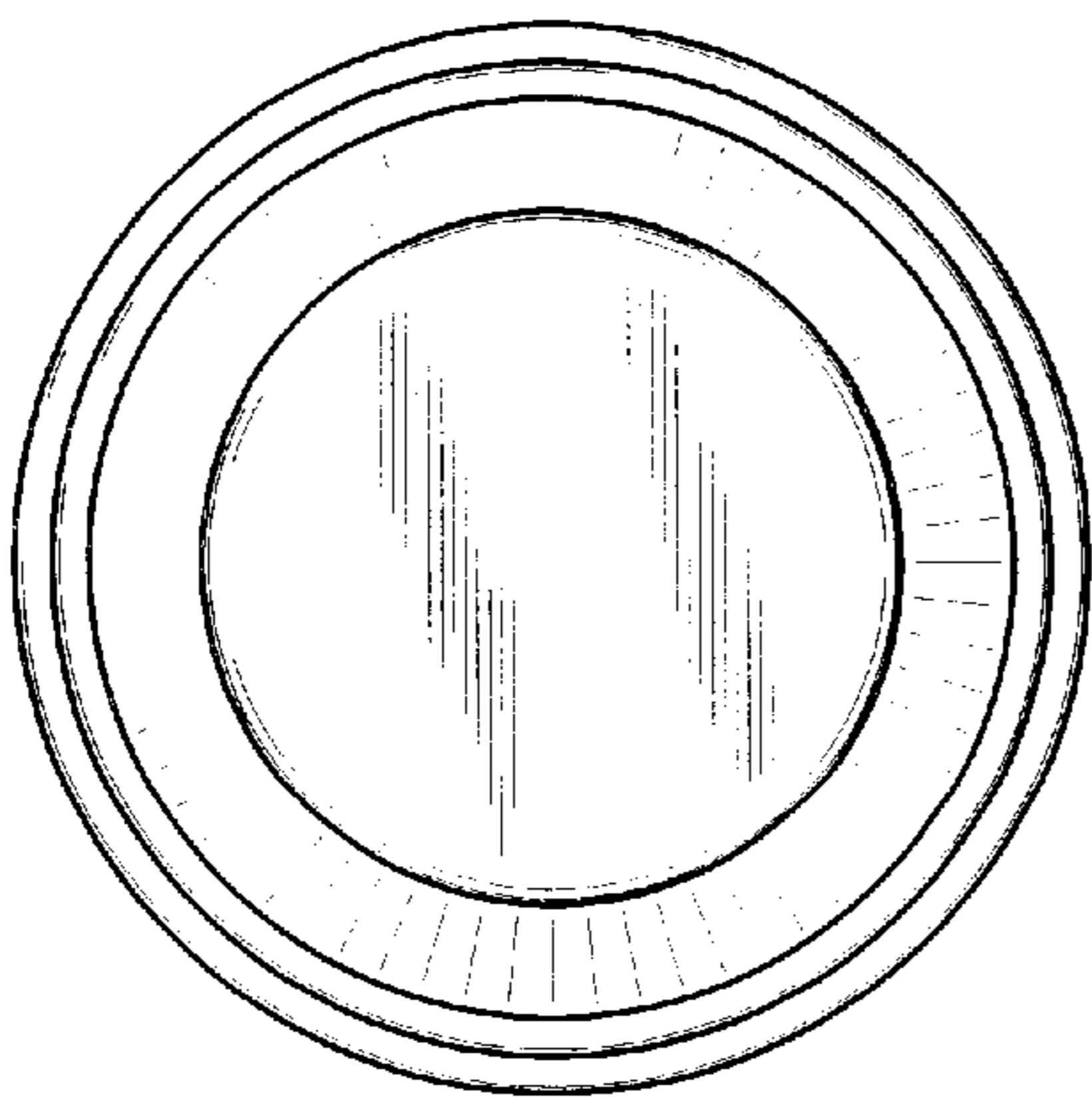


FIG. 7

