



US00D406886S

United States Patent [19]

Goeren et al.

[11] **Patent Number: Des. 406,886**

[45] **Date of Patent: **Mar. 16, 1999**

[54] **AIR FRESHENER WITH BOW TIE AND LACE FABRIC**

D. 368,771 4/1996 Patel et al. D9/503
2,770,382 11/1956 Ritter D9/500

[75] Inventors: **Cornelius J. Goeren**, New Albany;
Anne Peffer-Pitt, Columbus; **Elizabeth Baude Johnson**, Hilliard; **Carolyn R. Townsend**, Westerville, all of Ohio

FOREIGN PATENT DOCUMENTS

278798 of 1927 United Kingdom .

[73] Assignee: **Bath & Body Works, Inc.**,
Reynoldsburg, Ohio

OTHER PUBLICATIONS

Glass Packer, Jan. 1961, p. 8 Jar A, left middle side of page.
Recipe Page from Pillsbury Cookbook, 1989.

[**] Term: **14 Years**

Primary Examiner—Lisa Lichtenstein
Attorney, Agent, or Firm—Colucci & Umans

[21] Appl. No.: **66,948**

[22] Filed: **Feb. 25, 1997**

[57] CLAIM

Related U.S. Application Data

The ornamental design for an air freshener with bow tie and lace fabric, as shown and described.

[62] Division of Ser. No. 45,245, Oct. 13, 1995, Pat. No. Des. 389,906.

DESCRIPTION

[51] **LOC (6) Cl.** **23-04**

[52] **U.S. Cl.** **D23/367; D23/366**

[58] **Field of Search** D23/366-369;
D9/504, 503, 500, 337; 239/34, 57, 211,
60, 58, 59, 55; 261/DIG. 65; 422/120, 123,
305

FIG. 1 is a perspective view of an air freshener with bow tie and lace fabric showing our new design;

FIG. 2 is a perspective view of the bottom, left and back sides of the air freshener of FIG. 1; and,

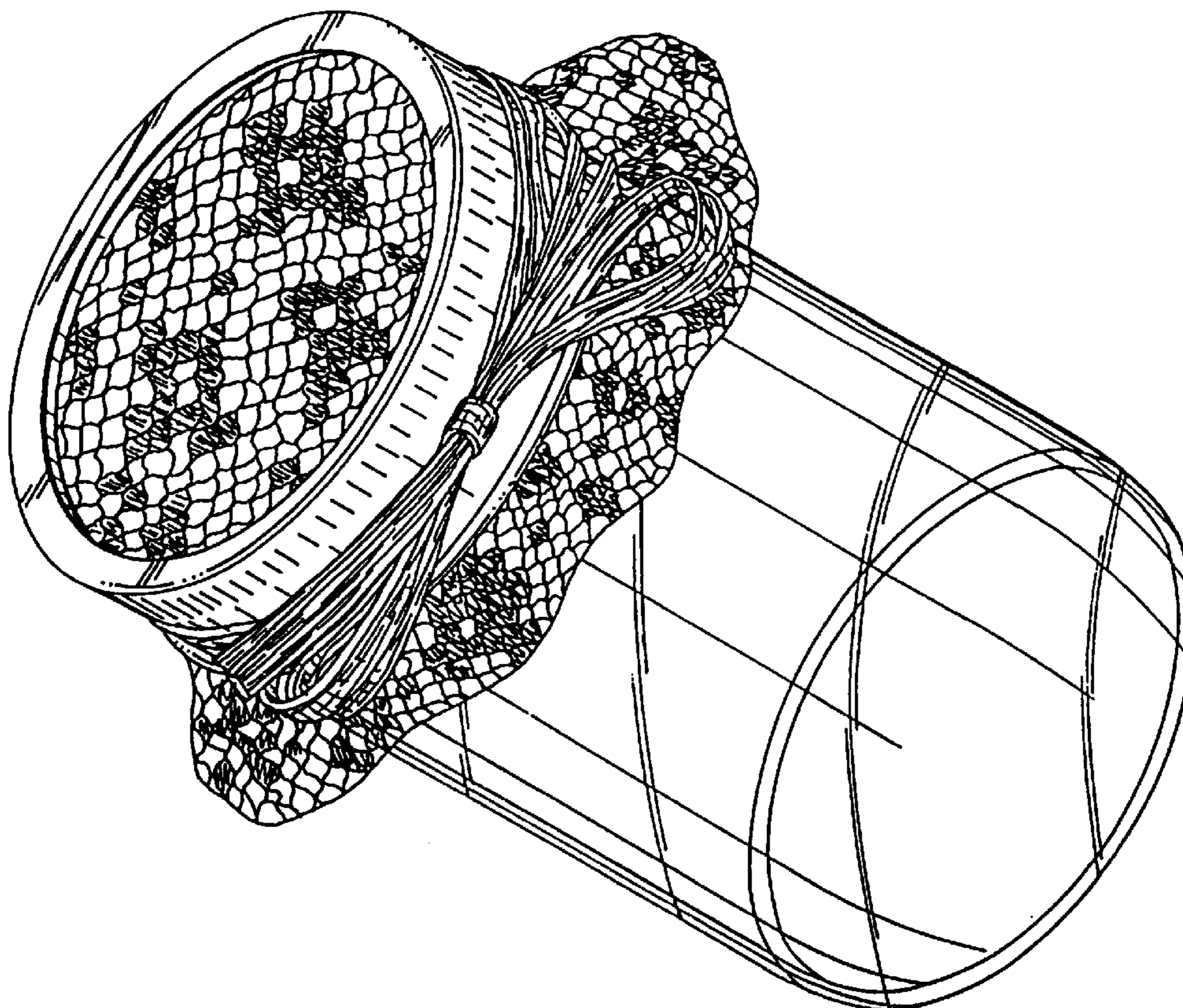
FIG. 3 is a rear elevational view of the air freshener of FIG. 1.

[56] References Cited

U.S. PATENT DOCUMENTS

D. 315,676 3/1991 Snipes et al. D9/337

1 Claim, 2 Drawing Sheets



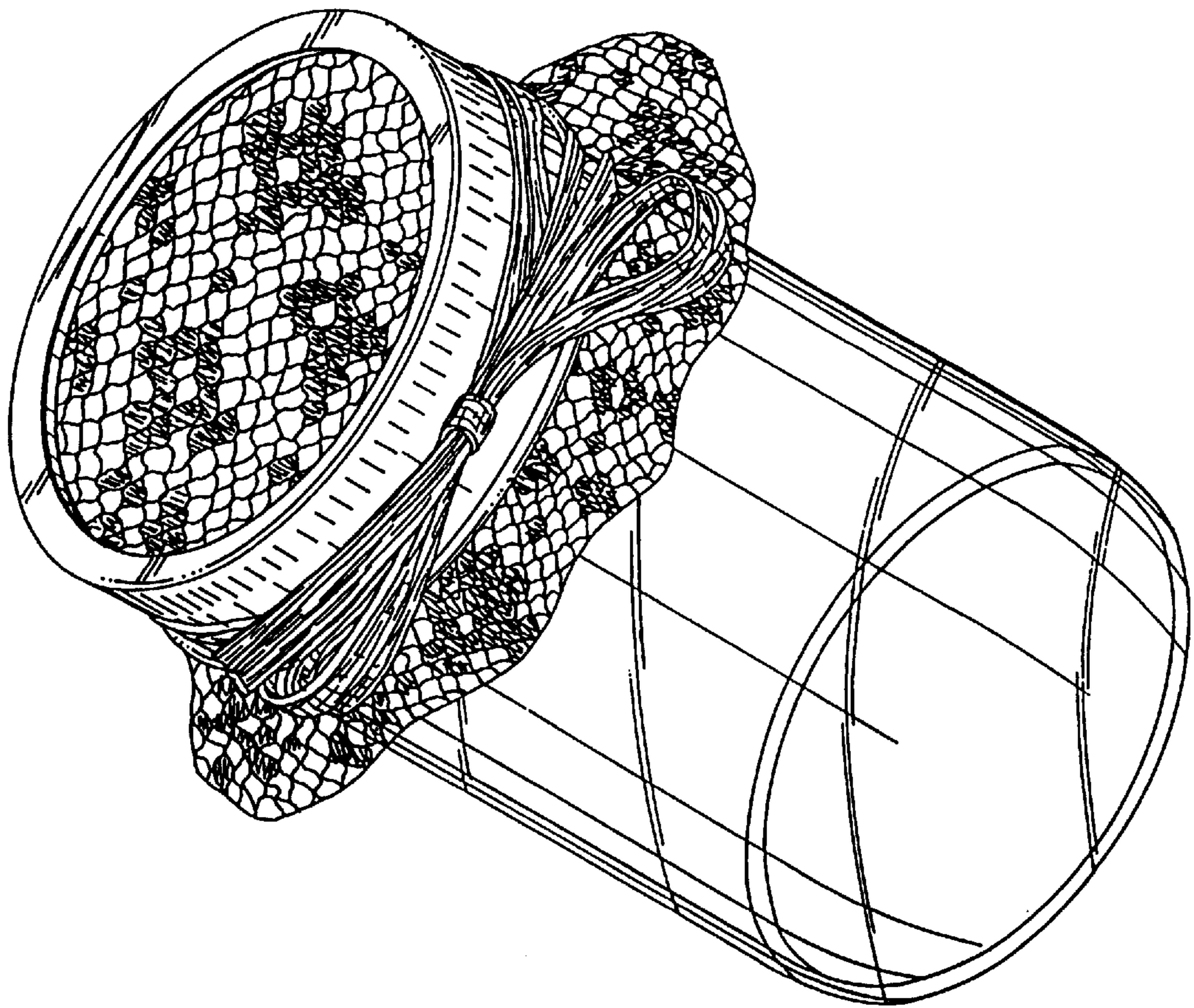


FIG. 1

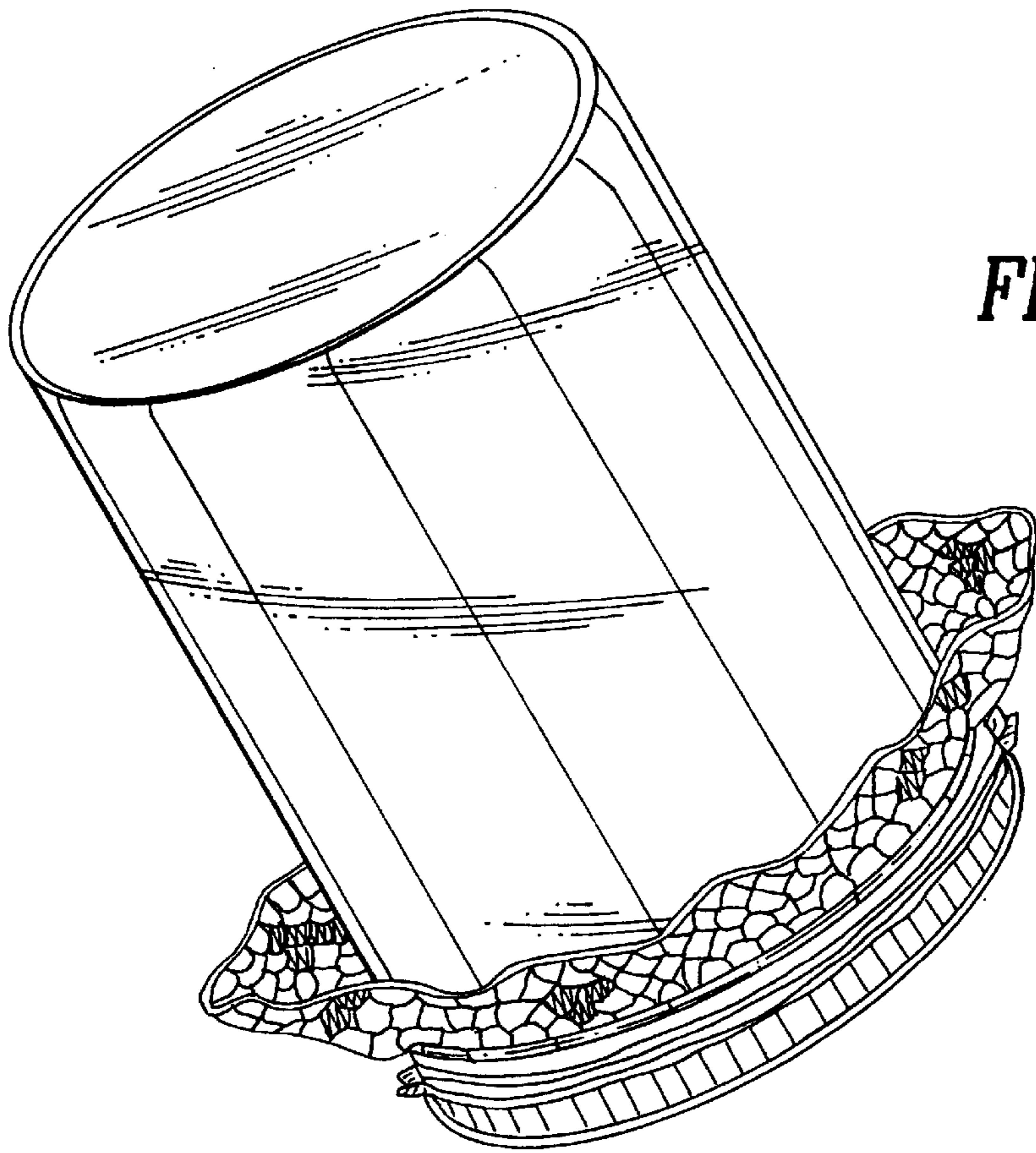


FIG. 2

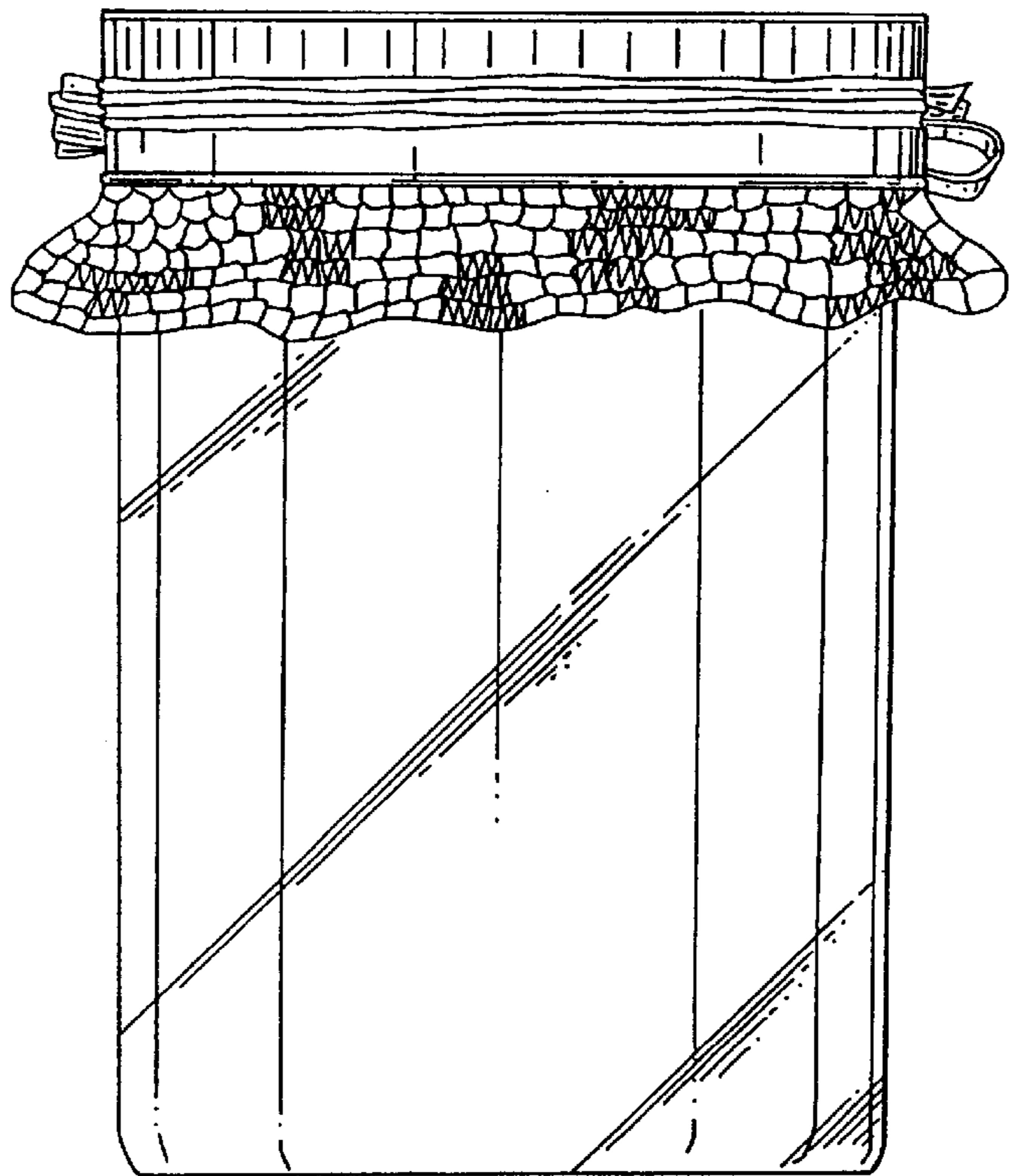


FIG. 3