



US00D406885S

United States Patent [19]

Jane'et al.

[11] Patent Number: Des. 406,885

[45] Date of Patent: **Mar. 16, 1999

[54] VAPORIZER

[75] Inventors: **Rodney Jane'**, Westboro; **Diane Allen**, Marlborough; **John Longan**, Shrewsbury; **Kenneth Ritsher**, Watertown, all of Mass.; **John Staton**, Bristol; **Walter Birdsell**, Beacon Falls, both of Conn.

[73] Assignee: **Honeywell Consumer Products, Inc.**, Southborough, Mass.

[**] Term: 14 Years

[21] Appl. No.: 48,731

[22] Filed: Jan. 16, 1996

[51] LOC (6) Cl. 23-04

[52] U.S. Cl. D23/360; D23/356

[58] Field of Search D23/356-363; 261/107, 104; 392/333-337, 403-406; 239/136

[56] References Cited

U.S. PATENT DOCUMENTS

D. 185,184	5/1959	Anderson	D23/362
D. 247,974	5/1978	Wheeler	D23/146
D. 279,216	6/1985	Mango et al.	D23/362
D. 282,001	12/1985	Muchenberger	D23/146
D. 335,341	5/1993	O'Grady	D23/360
D. 355,248	2/1995	Wang et al.	D23/360
D. 355,961	2/1995	Cunning	D23/360

D. 369,654	5/1996	Chiu et al.	D23/256
2,843,891	7/1958	Fisher	392/337
4,749,389	6/1988	Worwag	261/91
5,384,888	1/1995	Peng	392/336

Primary Examiner—Lisa Lichtenstein
Attorney, Agent, or Firm—Loletta L. Darden

[57] CLAIM

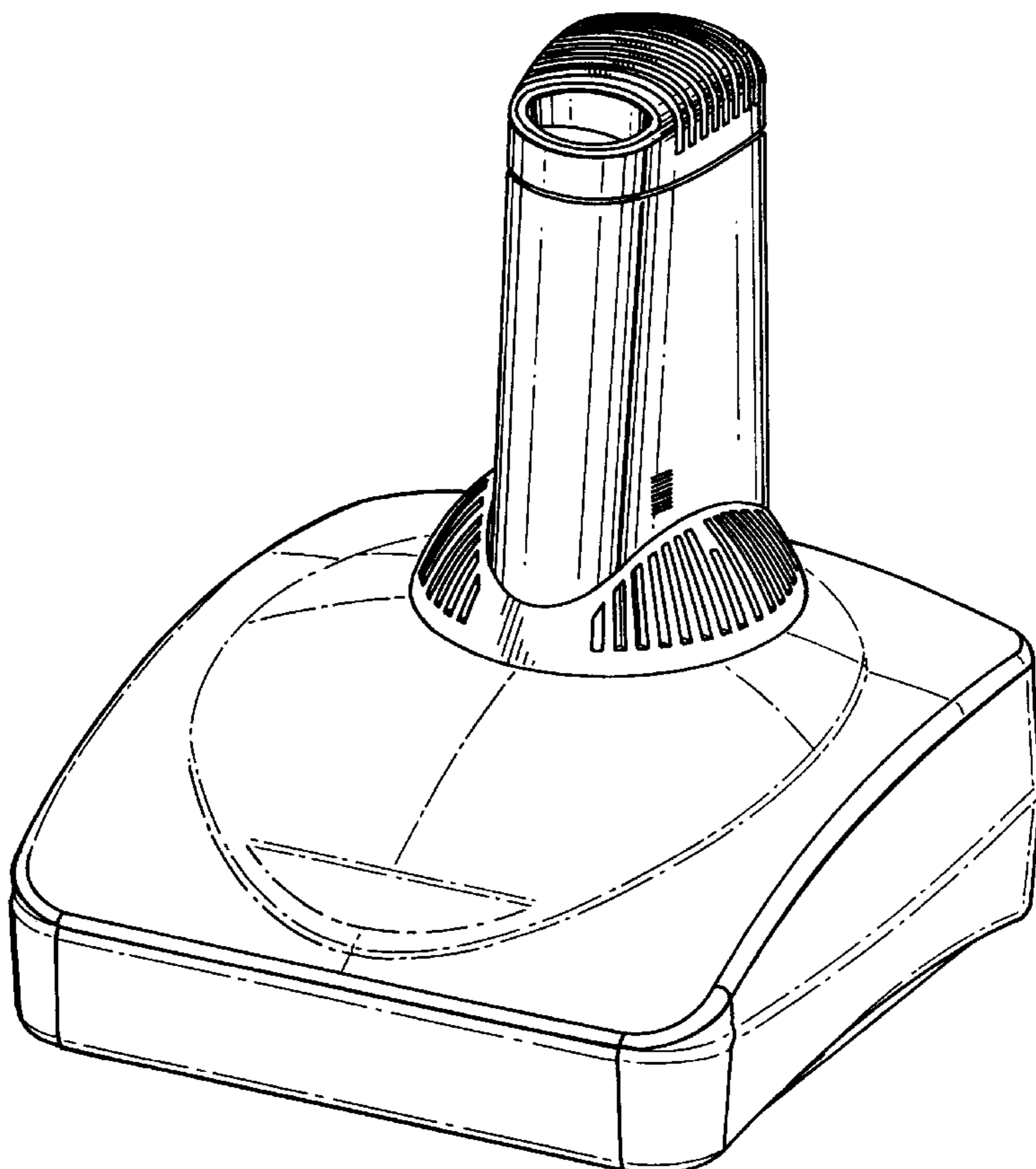
The ornamental design for a vaporizer, as shown and described.

DESCRIPTION

FIG. 1 shows a front, top and right side perspective view of a vaporizer incorporating our new design;
 FIG. 2 shows a front elevational view of the vaporizer shown in FIG. 1;
 FIG. 3 shows a rear elevational view of the vaporizer shown in FIG. 1;
 FIG. 4 shows a right side elevational view of the vaporizer shown in FIG. 1; the left side elevational view being a mirror image of the right side elevational view;
 FIG. 5 shows a top plan view of the vaporizer shown in FIG. 1; and,
 FIG. 6 shows a bottom plan view of the vaporizer shown in FIG. 1.

The broken line showing of environmental structure in FIGS. 2 and 6 is for illustrative purposes only and forms no part of the claimed design.

1 Claim, 6 Drawing Sheets



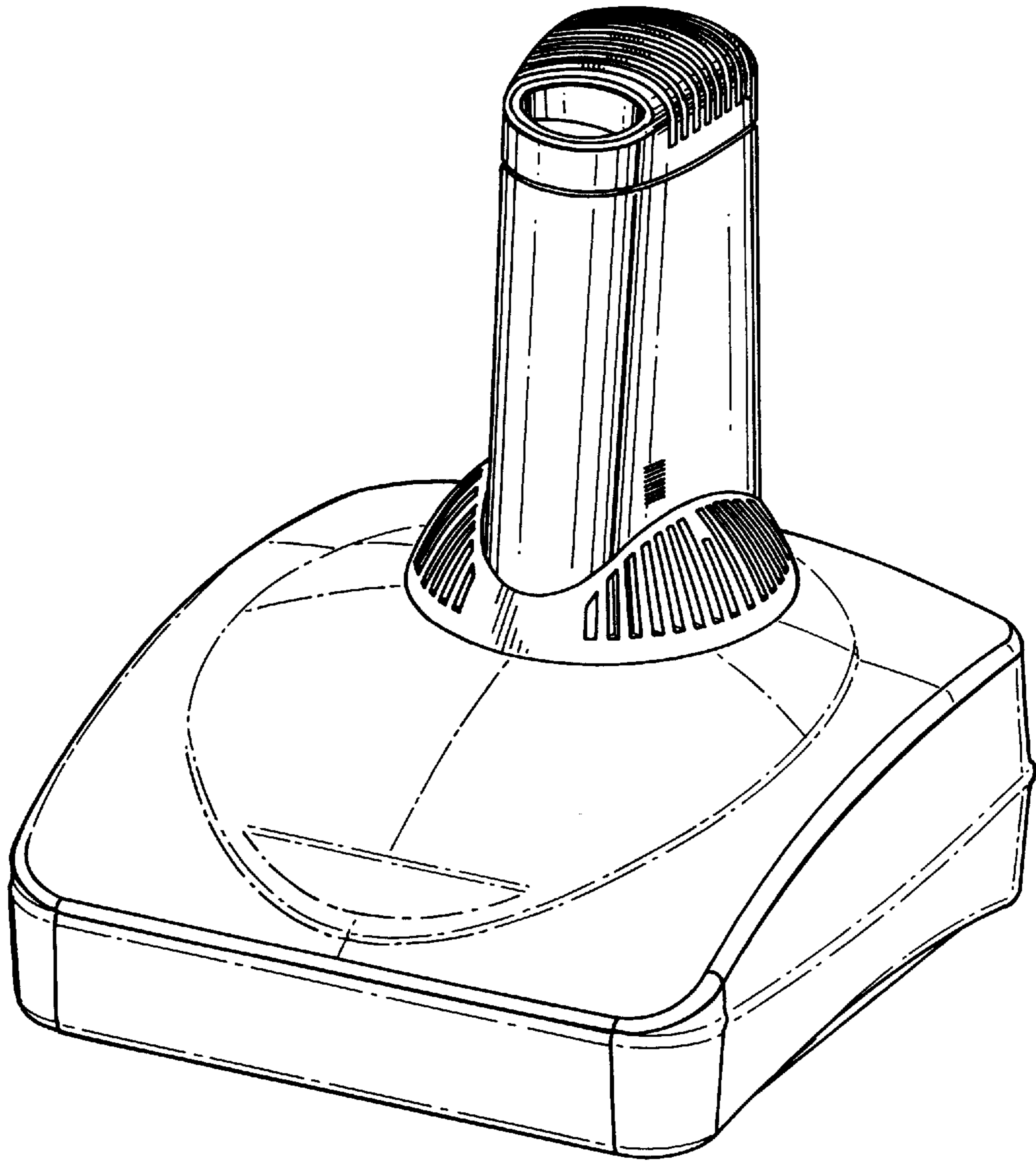


FIG. 1

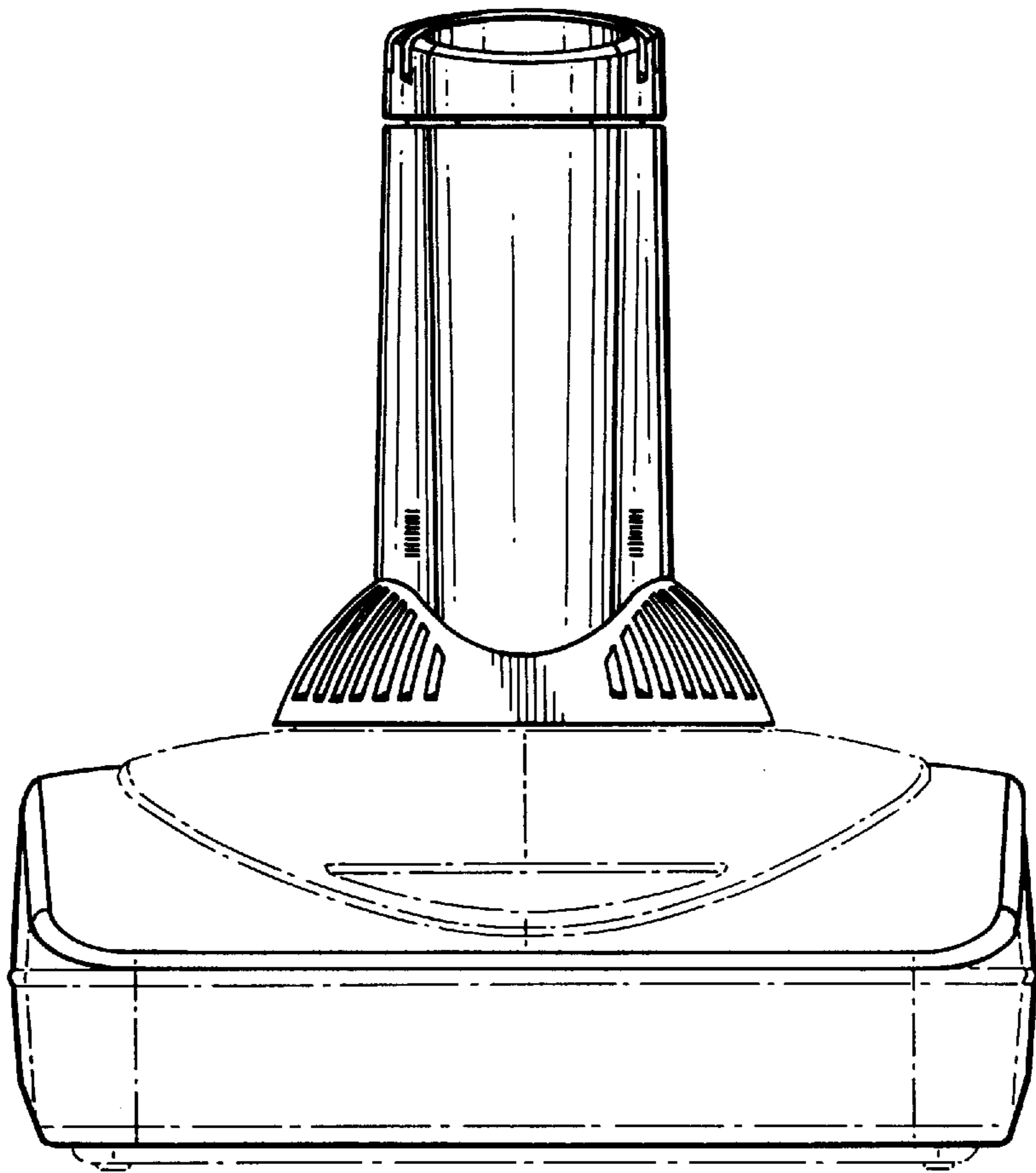


FIG. 2

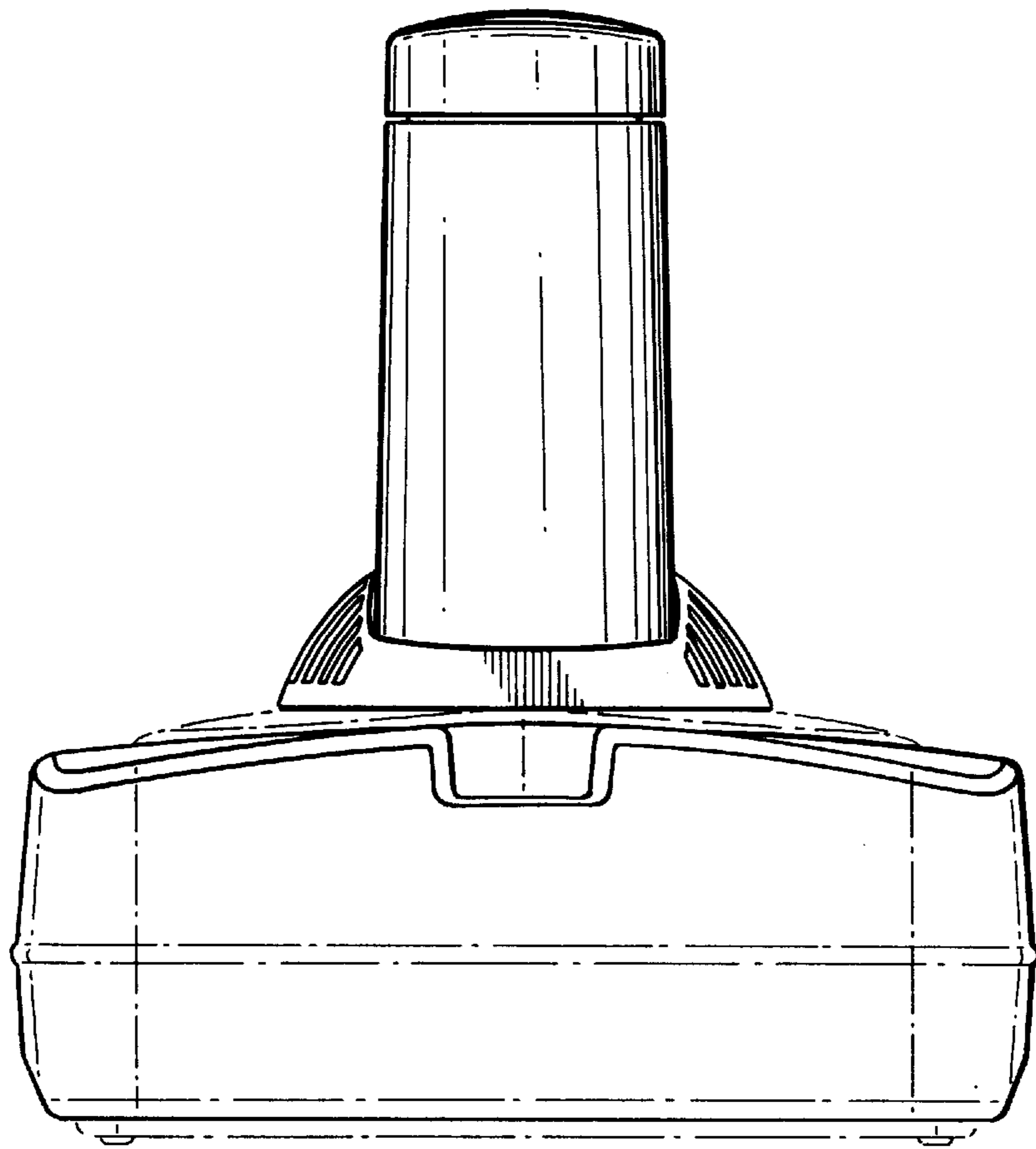


FIG. 3

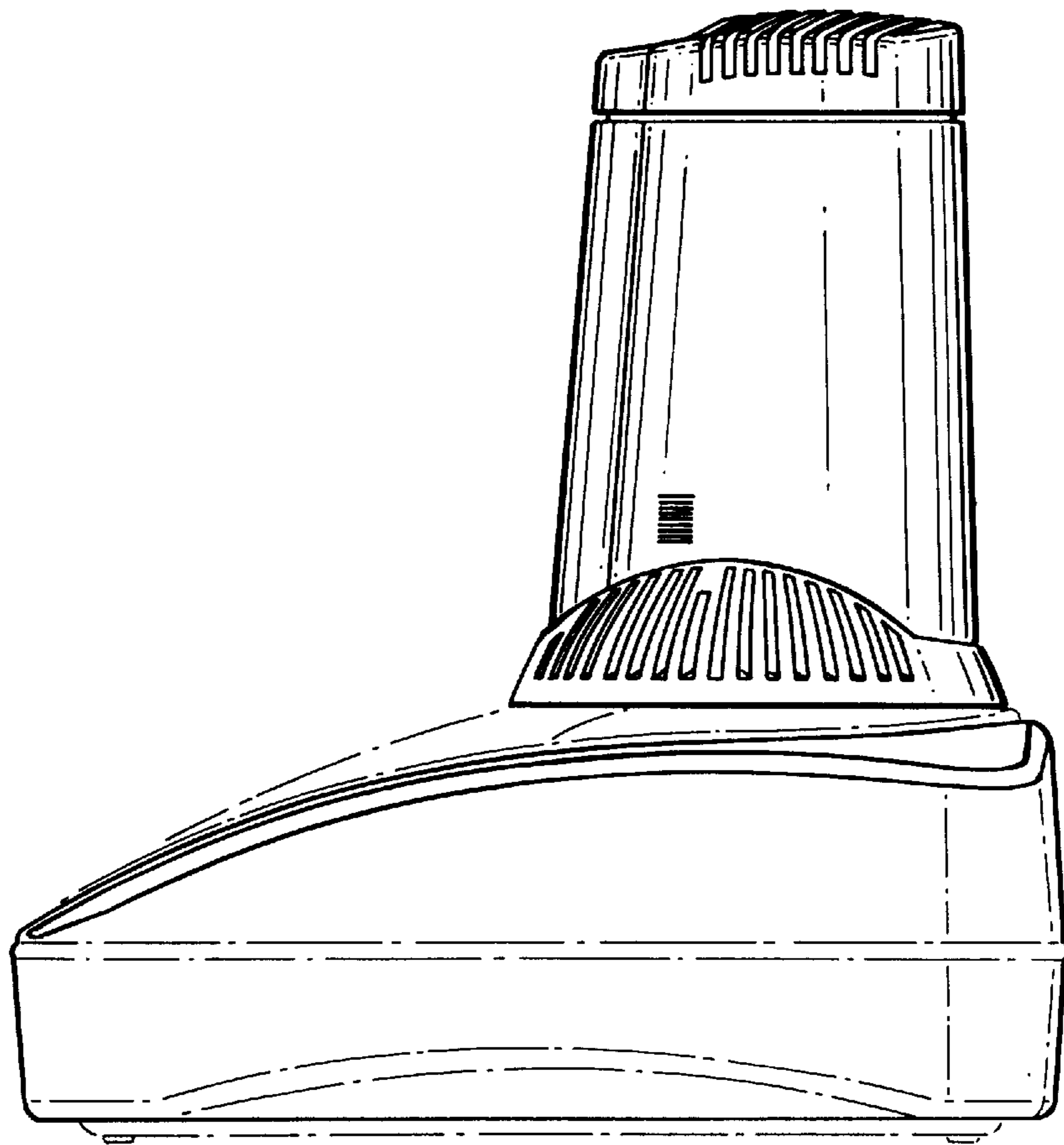


FIG. 4

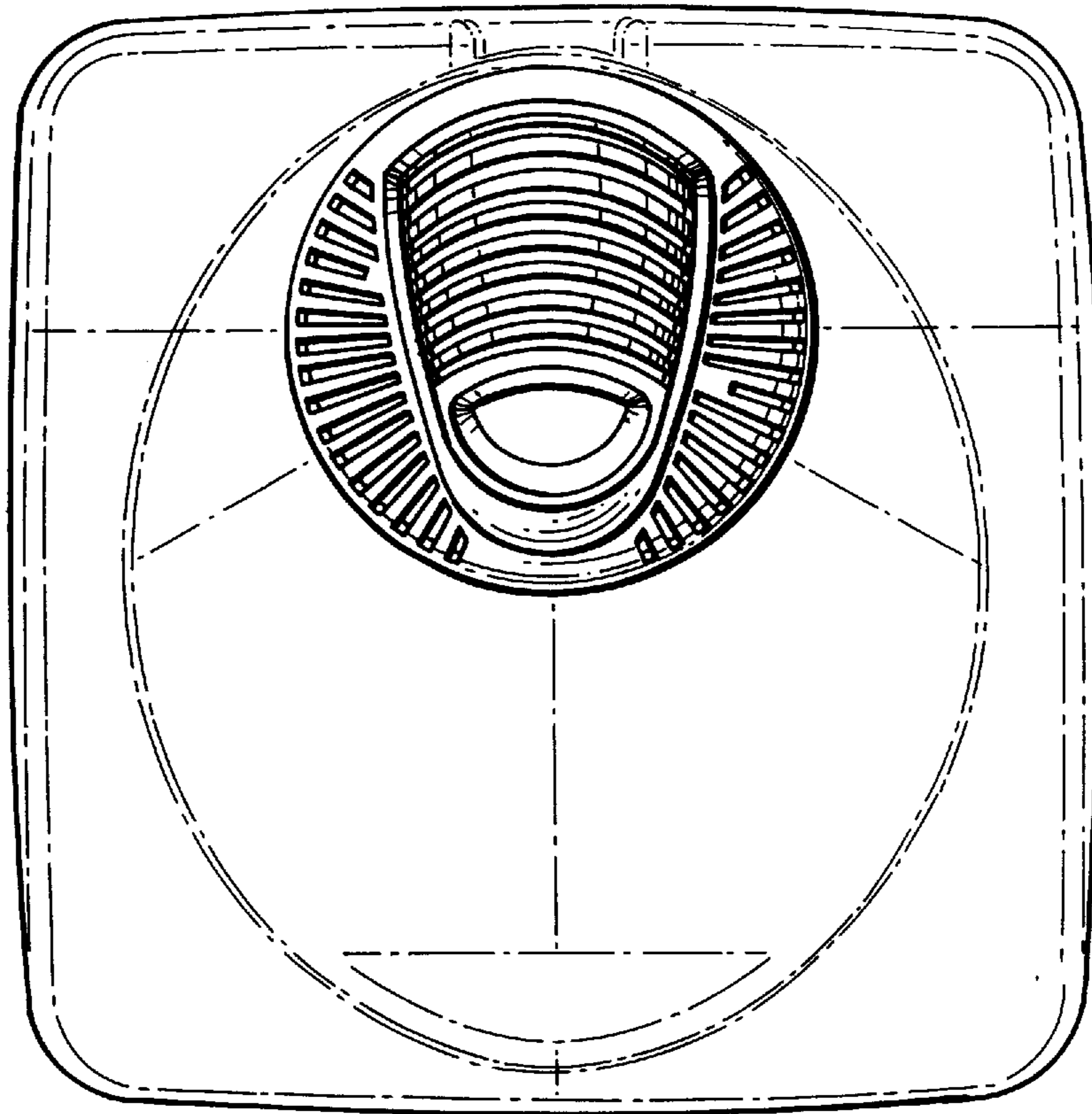


FIG. 5

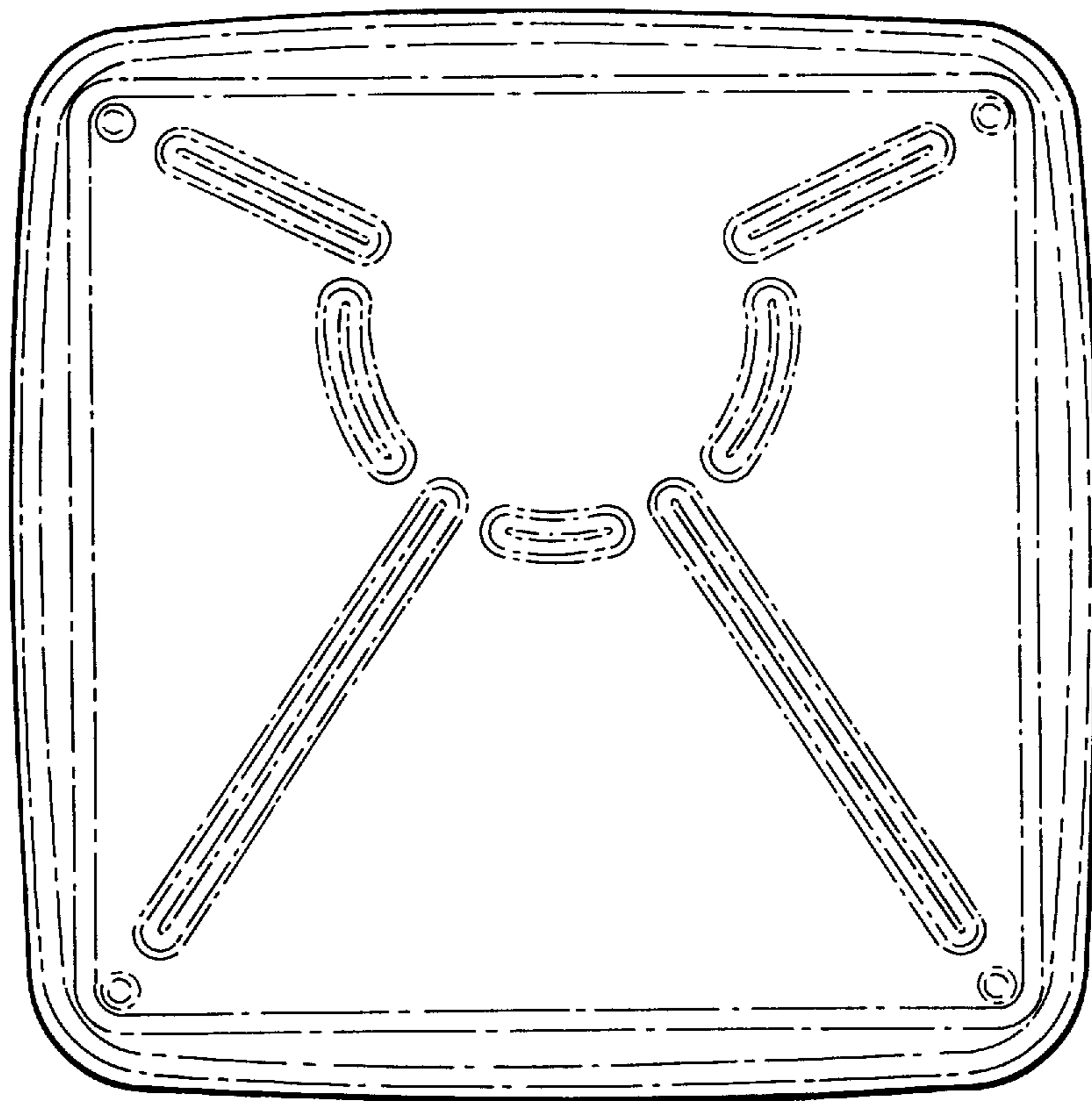


FIG. 6