



US00D406882S

United States Patent [19]

Towe

[11] **Patent Number: Des. 406,882**

[45] **Date of Patent: **Mar. 16, 1999**

[54] **SPACER-GASKET**

5,096,582 3/1992 Lombardi et al. 210/483 X
5,292,432 3/1994 Jainek et al. 210/450 X

[75] Inventor: **Ian Glenn Towe**, Caledon, Canada

FOREIGN PATENT DOCUMENTS

[73] Assignee: **Glegg Water Conditioning, Inc.**,
Guelph, Canada

179287 12/1906 Germany 210/499
567158 1/1945 United Kingdom 210/499

[**] Term: **14 Years**

Primary Examiner—Philip S. Hyder
Assistant Examiner—C Tuttle
Attorney, Agent, or Firm—Arne L. Forb

[21] Appl. No.: **56,887**

[22] Filed: **Jul. 11, 1996**

[57] **CLAIM**

[51] **LOC (6) Cl.** **23-01**

The ornamental design for a spacer-gasket, as shown and described.

[52] **U.S. Cl.** **D23/269**

[58] **Field of Search** D23/269; 277/23;
210/450, 483, 499; 285/910, 368

DESCRIPTION

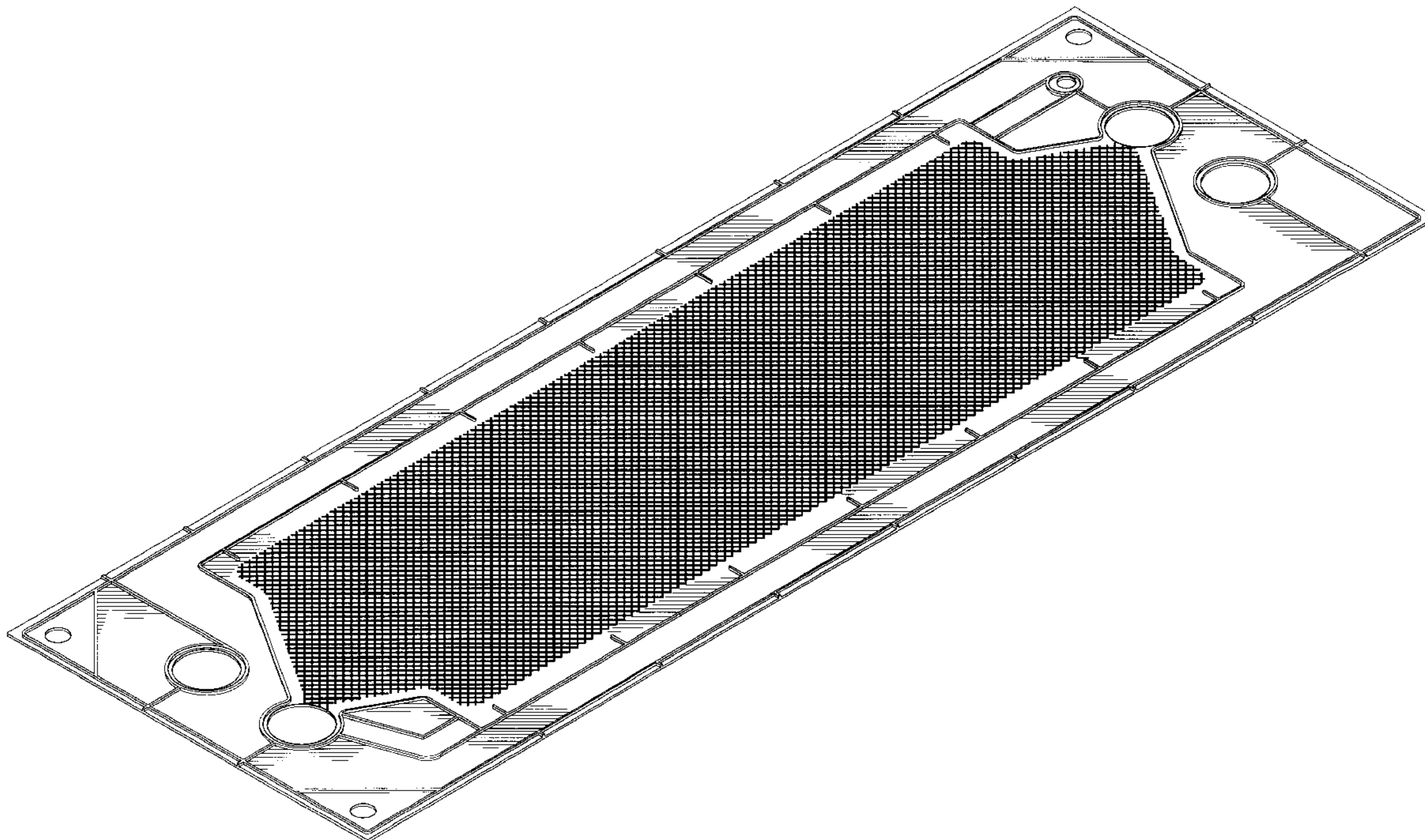
[56] **References Cited**

FIG. 1 is a perspective view of a spacer-gasket showing my new design;
FIG. 2 is a front view of the design of FIG. 1;
FIG. 3 is a side view of the design of FIG. 1;
FIG. 4 is a top view of the design of FIG. 1;
FIG. 5 is a bottom view of the design of FIG. 1;
FIG. 6 is a rear view of the design of FIG. 1; and,
FIG. 7 is a side view of the opposite side of FIG. 3.

U.S. PATENT DOCUMENTS

D. 26,512	1/1897	Weale	D23/269
D. 363,979	11/1995	Clarke	D23/269
2,191,044	2/1940	Seligman	285/910 X
3,873,134	3/1975	Sammaritano	285/910 X
4,256,692	3/1981	Cover	210/450 X
4,624,784	11/1986	Lefebvre	210/450 X
4,823,868	4/1989	Neebel	285/910 X

1 Claim, 3 Drawing Sheets



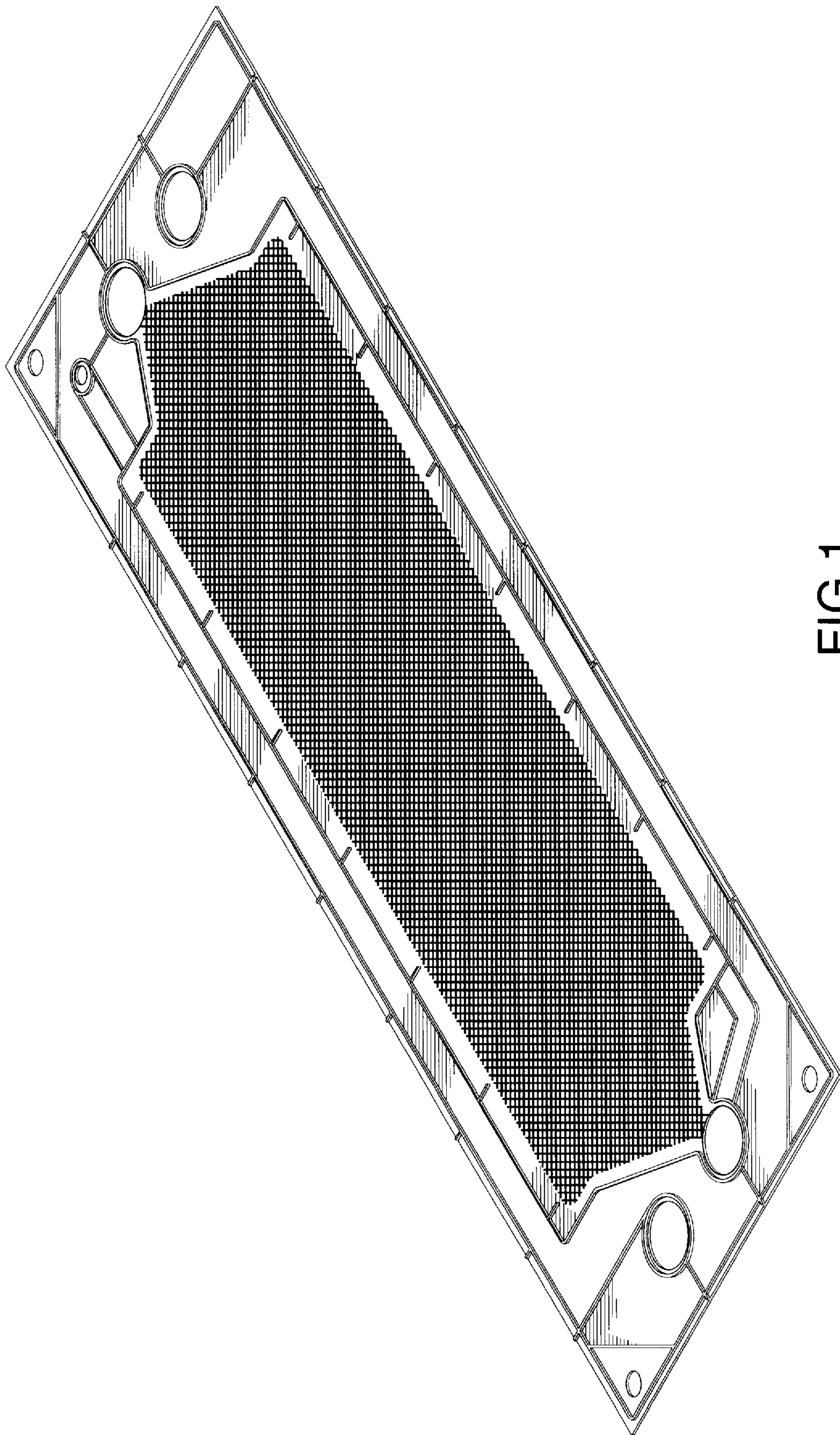


FIG.1

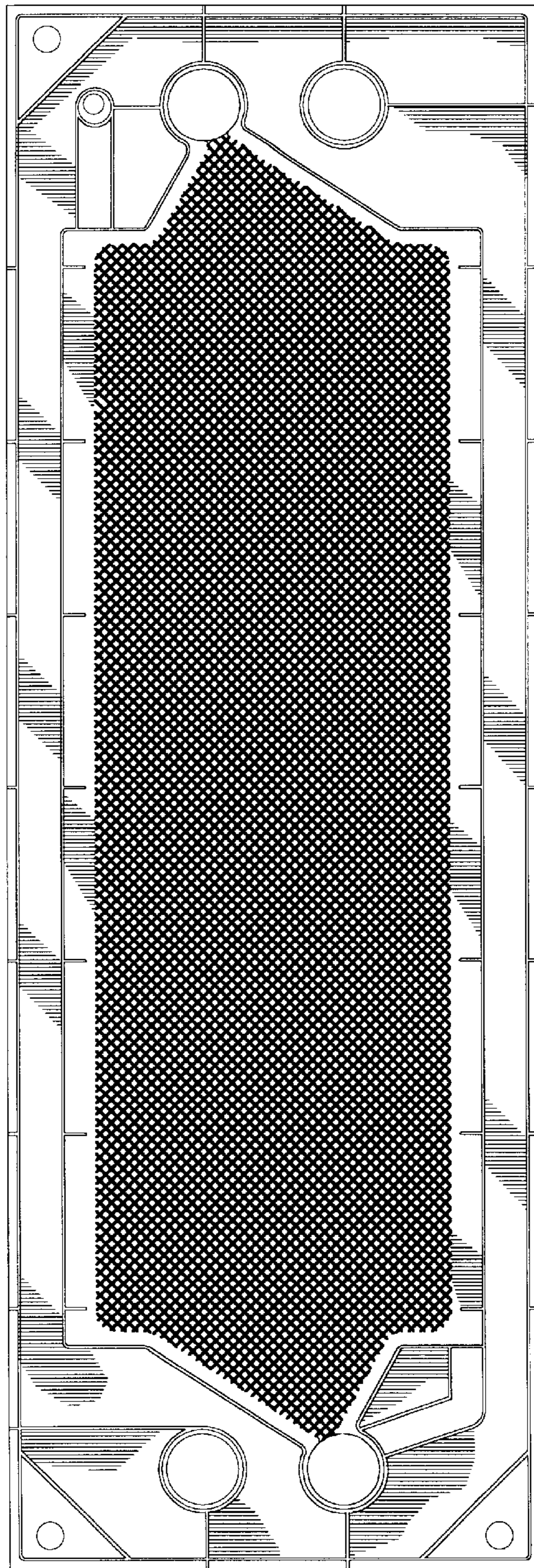


FIG. 2



FIG. 3

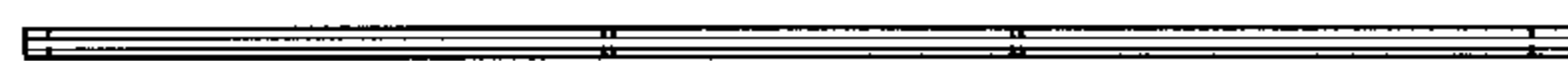


FIG. 4

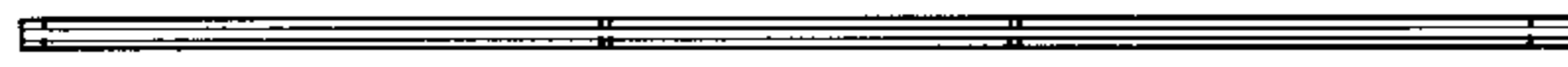


FIG.5

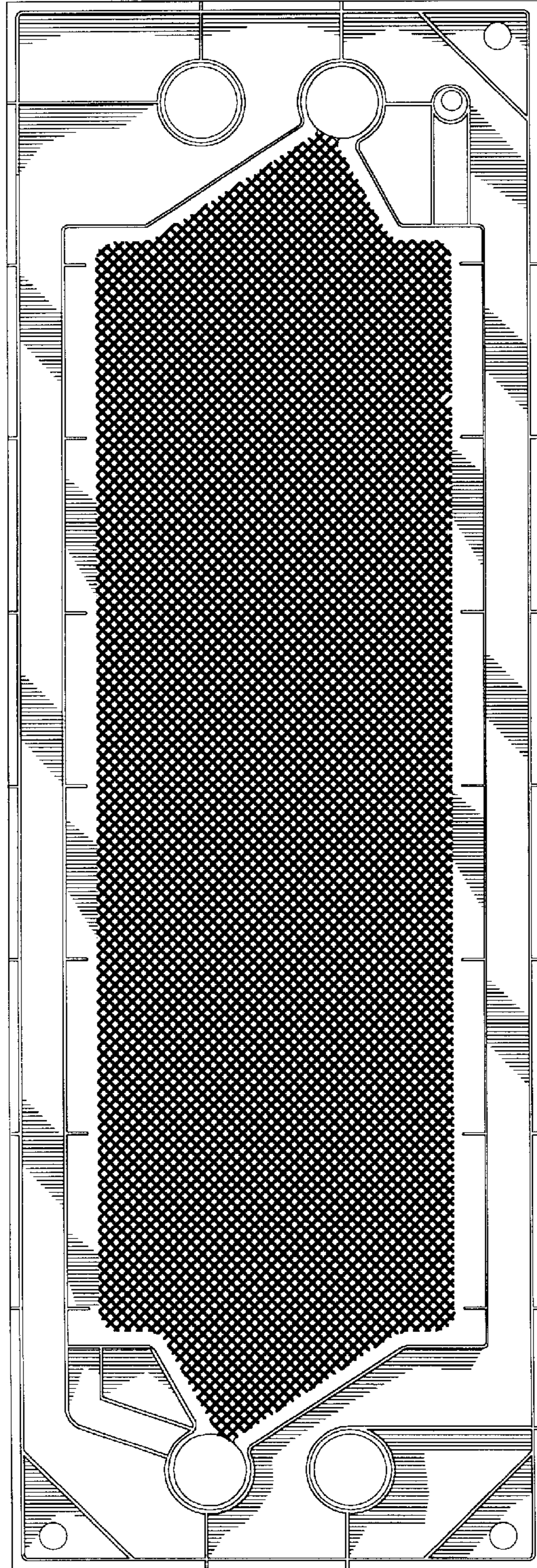


FIG.6



FIG.7