

US00D406881S

United States Patent [19] Kuwabara

[11] **Patent Number: Des. 406,881**

[45] **Date of Patent: **Mar. 16, 1999**

[54] **SOCKET OF PIPE COUPLING**

[75] Inventor: **Tetsuya Kuwabara**, Tokyo, Japan

[73] Assignee: **Nitto Kohki Co., Ltd.**, Tokyo, Japan

[**] Term: **14 Years**

[21] Appl. No.: **88,390**

[22] Filed: **May 14, 1998**

[30] **Foreign Application Priority Data**

Dec. 17, 1997 [JP] Japan 9-78462

[51] **LOC (6) Cl.** **23-01**

[52] **U.S. Cl.** **D23/262**

[58] **Field of Search** D23/40, 43, 19-22,
D23/243, 262; 251/105, 148, 149.6, 152,
243, 315; 285/93; 137/614

[56] **References Cited**

U.S. PATENT DOCUMENTS

D. 288,229 2/1987 Beal D23/262

D. 315,400 3/1991 Medvick D23/262

D. 320,842 10/1991 Roman D23/262
D. 333,511 2/1993 Mikiya et al. D23/262
D. 334,617 4/1993 Roman D23/262
D. 356,147 3/1995 Clivio D23/262

Primary Examiner—Marcus A. Jackson
Attorney, Agent, or Firm—Wenderoth, Lind & Ponack,
L.L.P.

[57] **CLAIM**

The ornamental design for a socket of pipe coupling, as shown in the drawings and described above.

DESCRIPTION

FIG. 1 is a perspective view of a socket of pipe coupling when seen from the top and left side of the rear, showing my new design;

FIG. 2 is a front elevational view thereof;

FIG. 3 is a top plan view thereof;

FIG. 4 is a rear elevational view thereof;

FIG. 5 is a bottom plan view thereof;

FIG. 6 is a left side elevational view thereof;

FIG. 7 is a right side elevational view thereof; and,

FIG. 8 is a centrally vertically sectioned front view thereof.

1 Claim, 3 Drawing Sheets

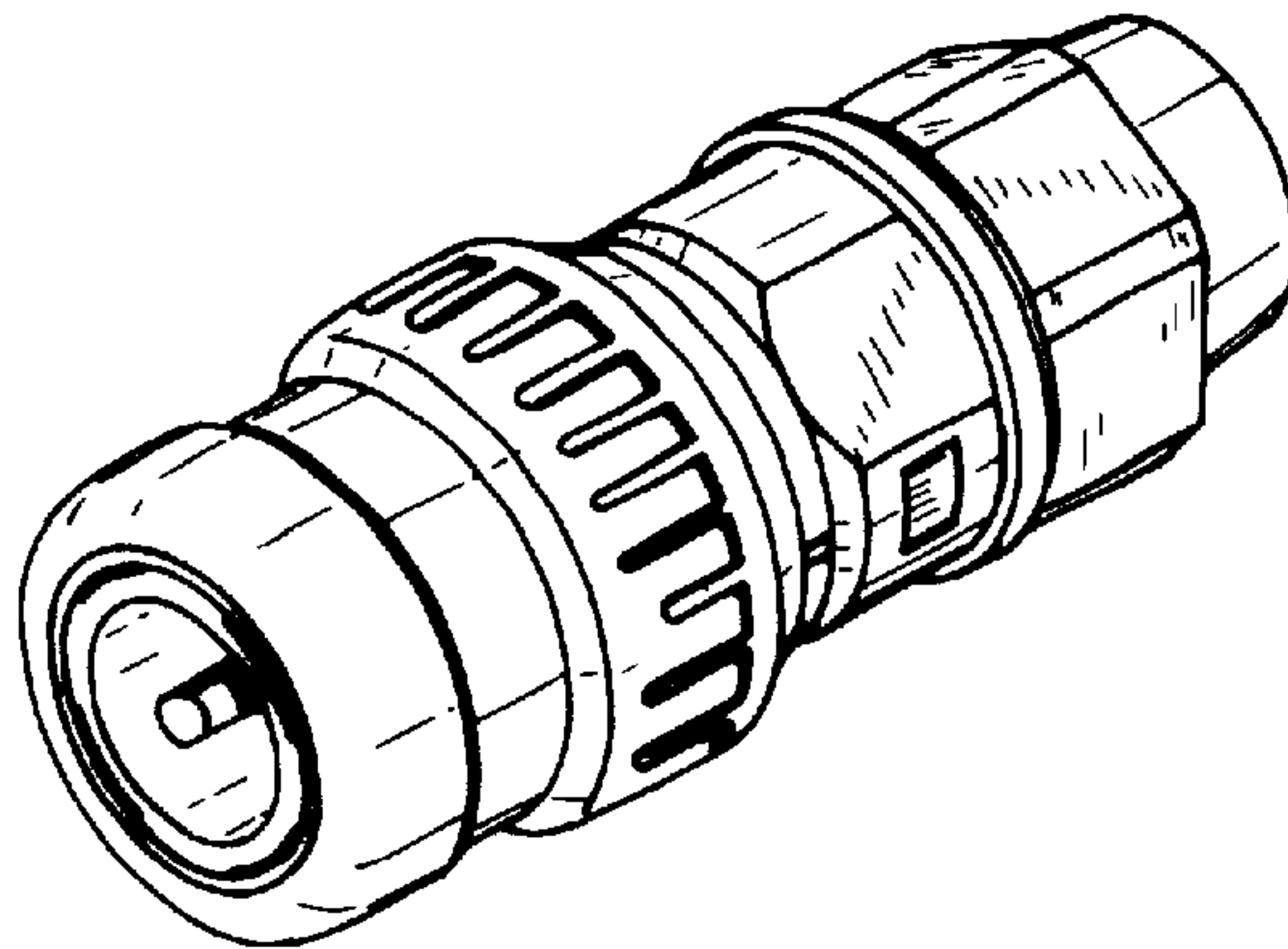


FIG. 1

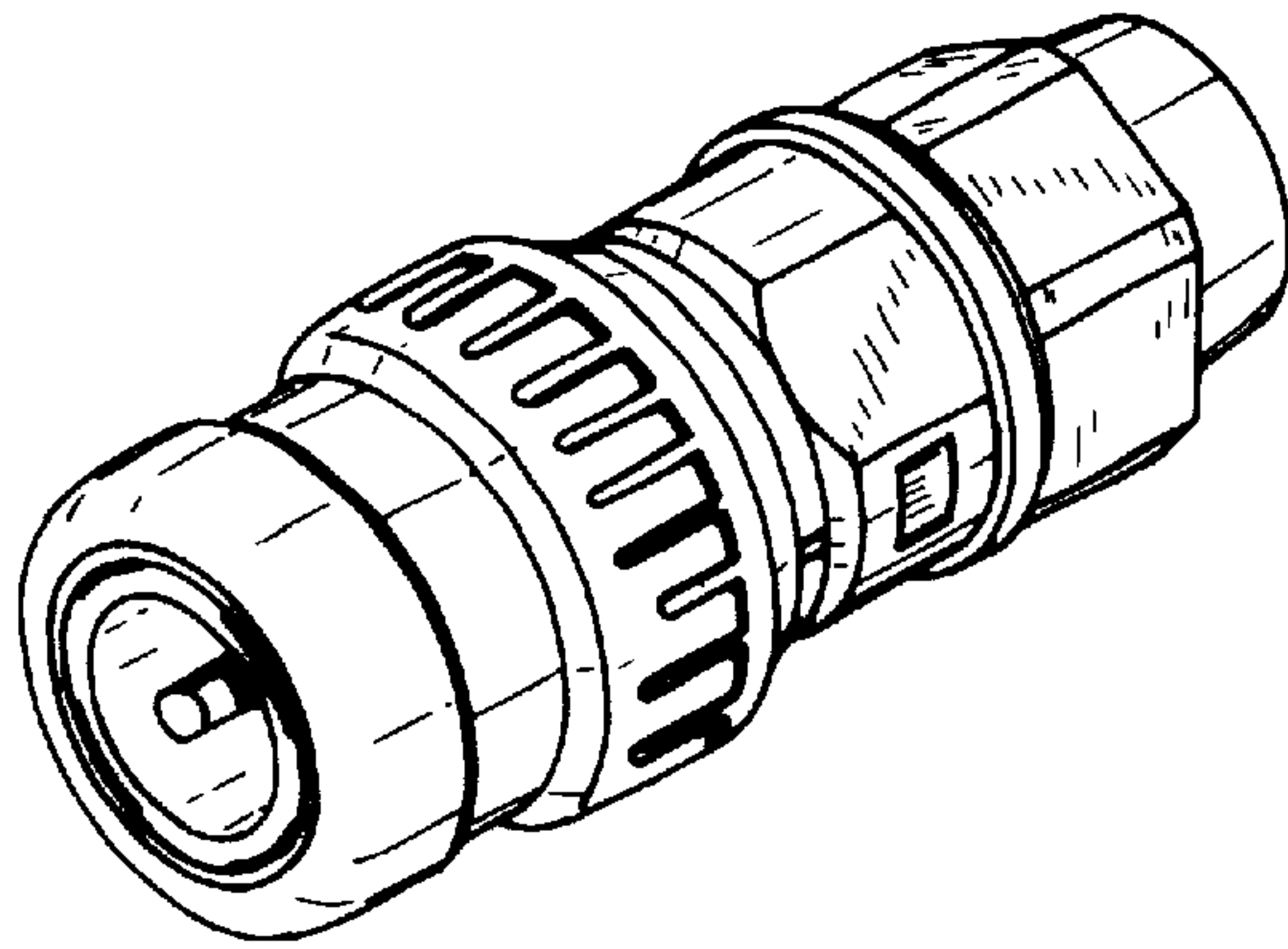


FIG.2

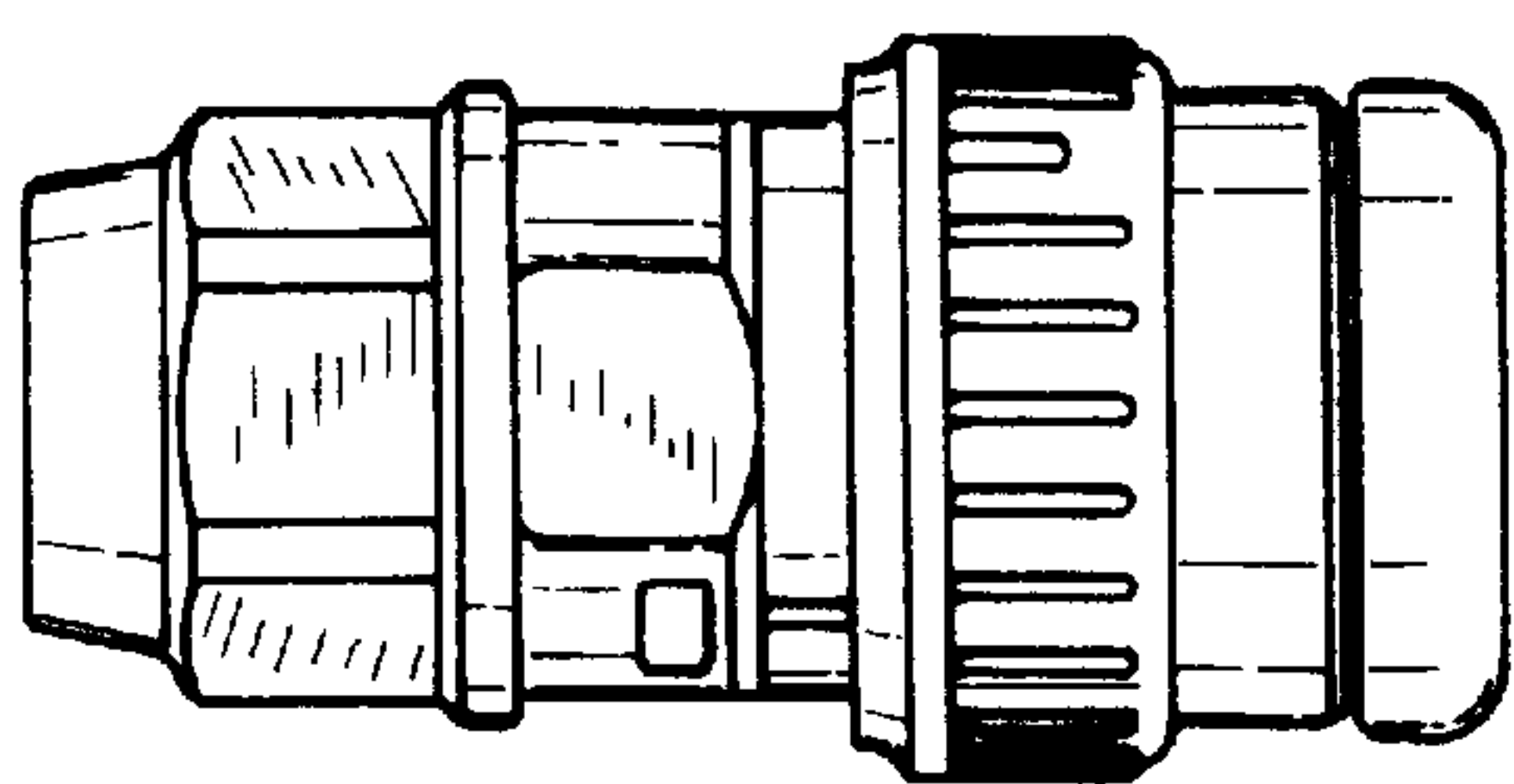


FIG.4

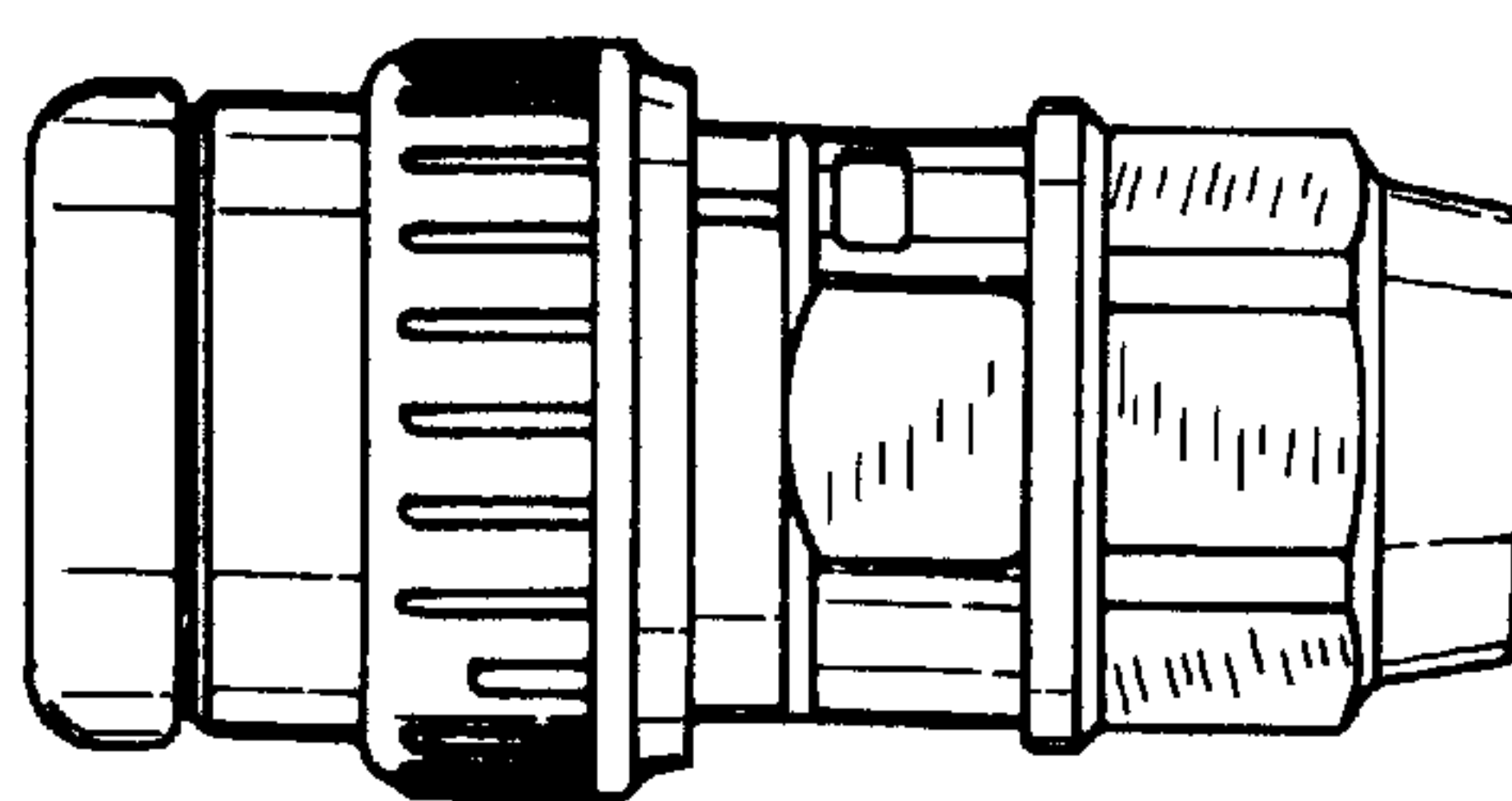


FIG.3

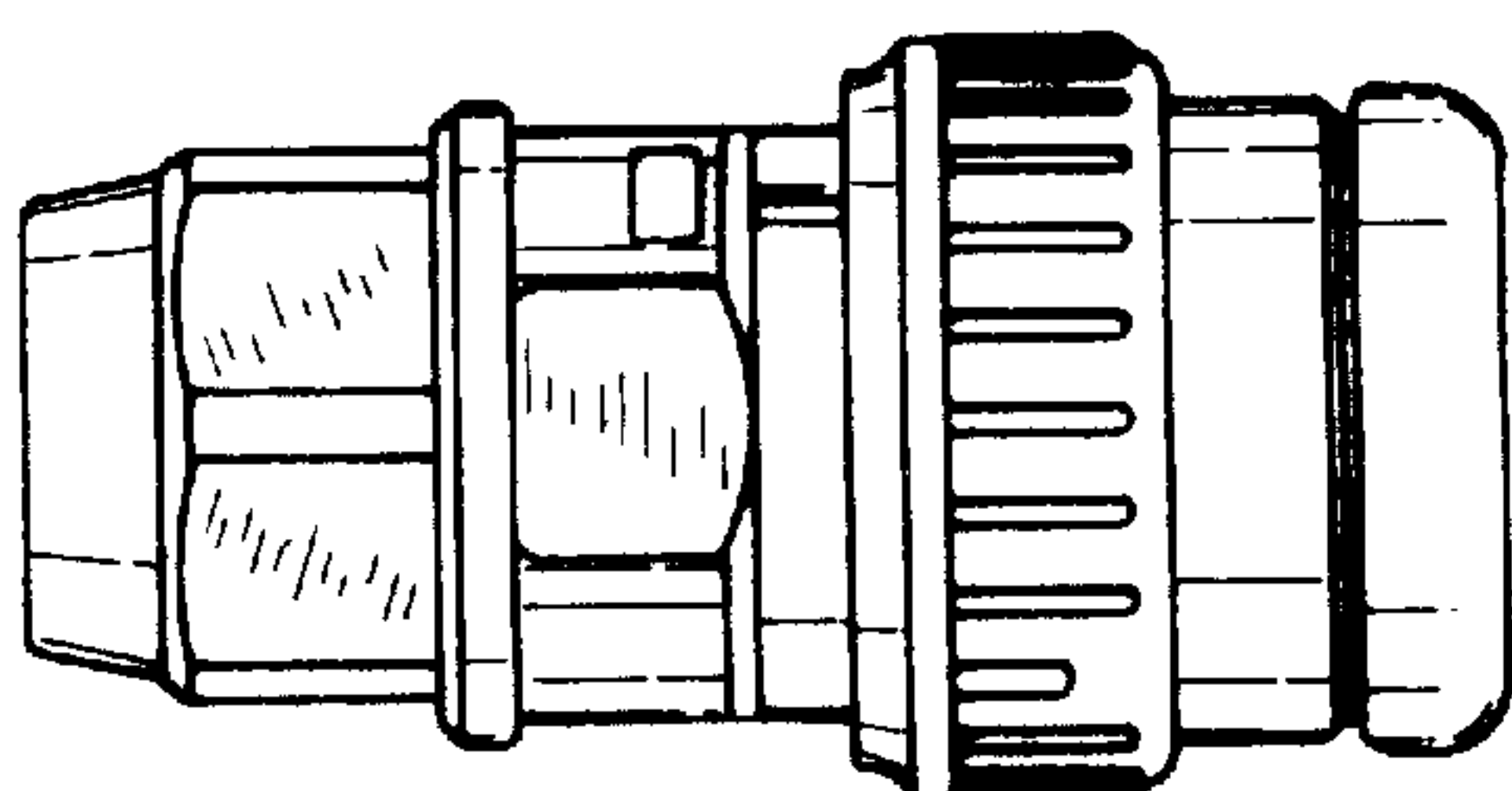


FIG.5

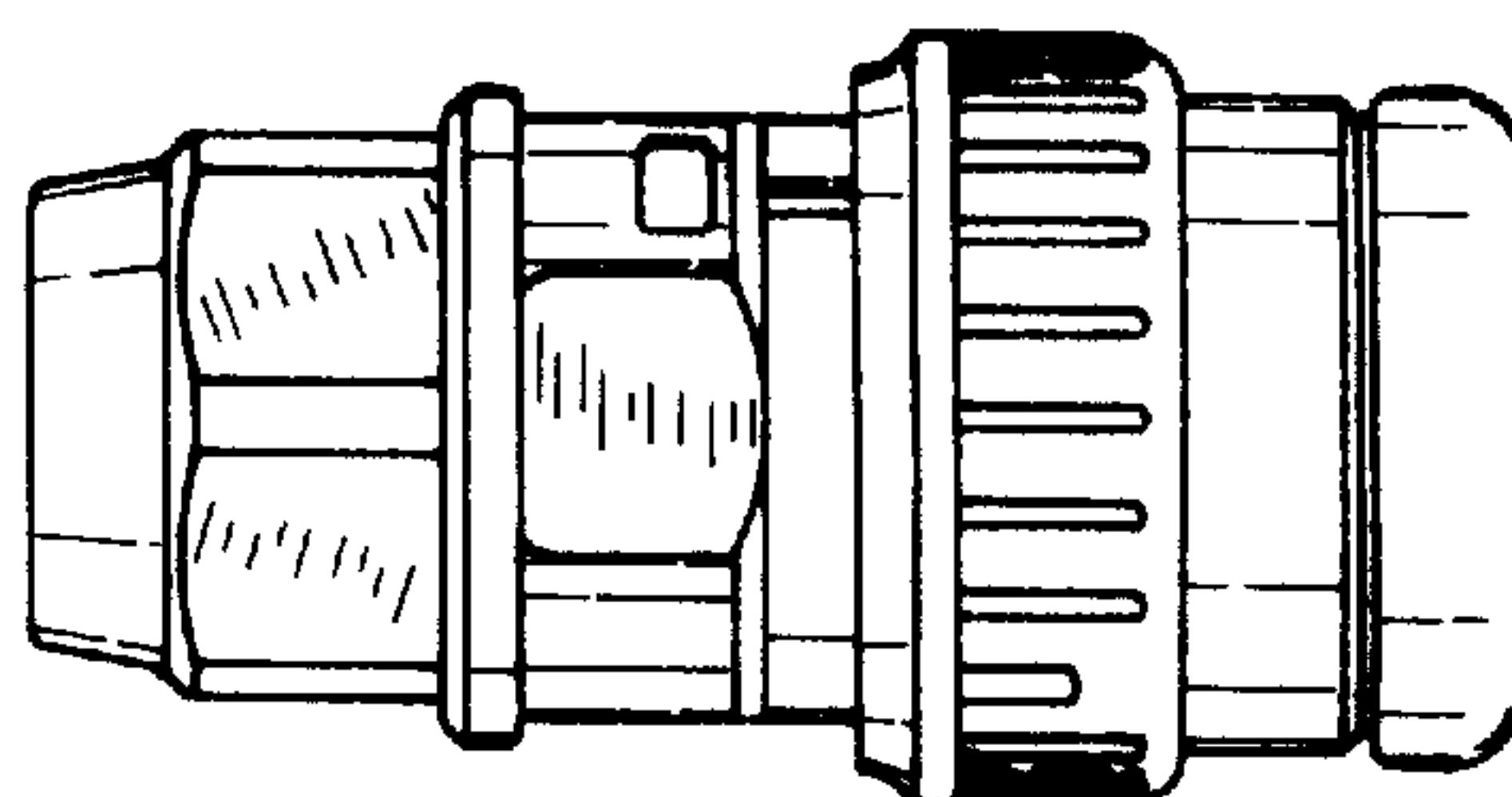


FIG.6

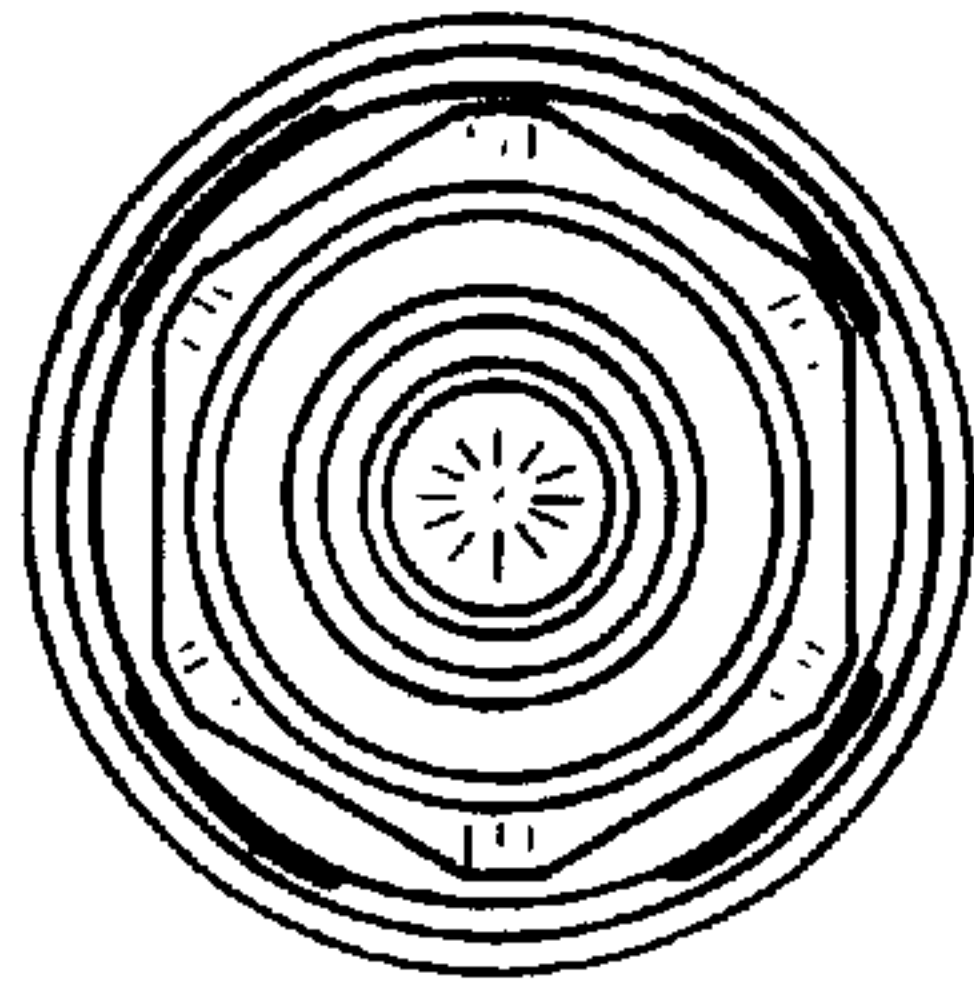


FIG.7

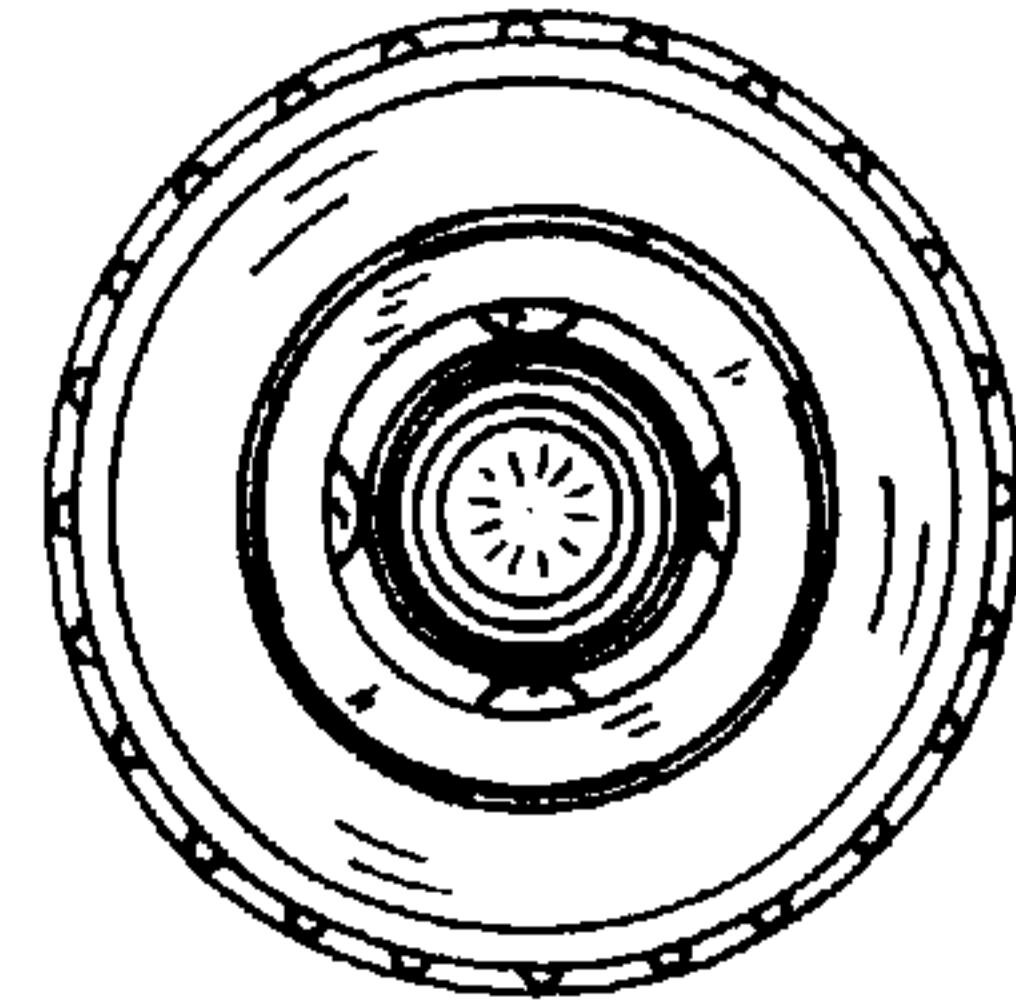


FIG.8

