



US00D406879S

United States Patent [19]

Powell et al.

[11] Patent Number: **Des. 406,879**

[45] Date of Patent: ****Mar. 16, 1999**

[54] VALVE

[75] Inventors: **David H. Powell**, Loxwood; **Adrian Barclay Caroen**, London, both of United Kingdom

[73] Assignee: **Aqualisa Products Limited**, United Kingdom

[**] Term: **14 Years**

[21] Appl. No.: **79,063**

[22] Filed: **Nov. 7, 1997**

[30] Foreign Application Priority Data

May 13, 1997 [GB] United Kingdom 2065759

[51] LOC (6) Cl. **23-01**

[52] U.S. Cl. **D23/254**

[58] Field of Search D23/250-254, D23/303-311; D8/300-308; 4/675-678; 16/110 R, 111 R, 114 R, 118, 121, 125, DIG. 24, DIG. 30

[56] References Cited

U.S. PATENT DOCUMENTS

D. 319,294	8/1991	Kohler, Jr. et al.	D23/254
D. 344,128	2/1994	Gottwald	D23/254
D. 345,004	3/1994	Bengtson	D23/254
D. 363,765	10/1995	Storck	D23/254

Primary Examiner—Louis S. Zarfes
Assistant Examiner—Eric Watterson
Attorney, Agent, or Firm—Harness, Dickey & Pierce, P.L.C.

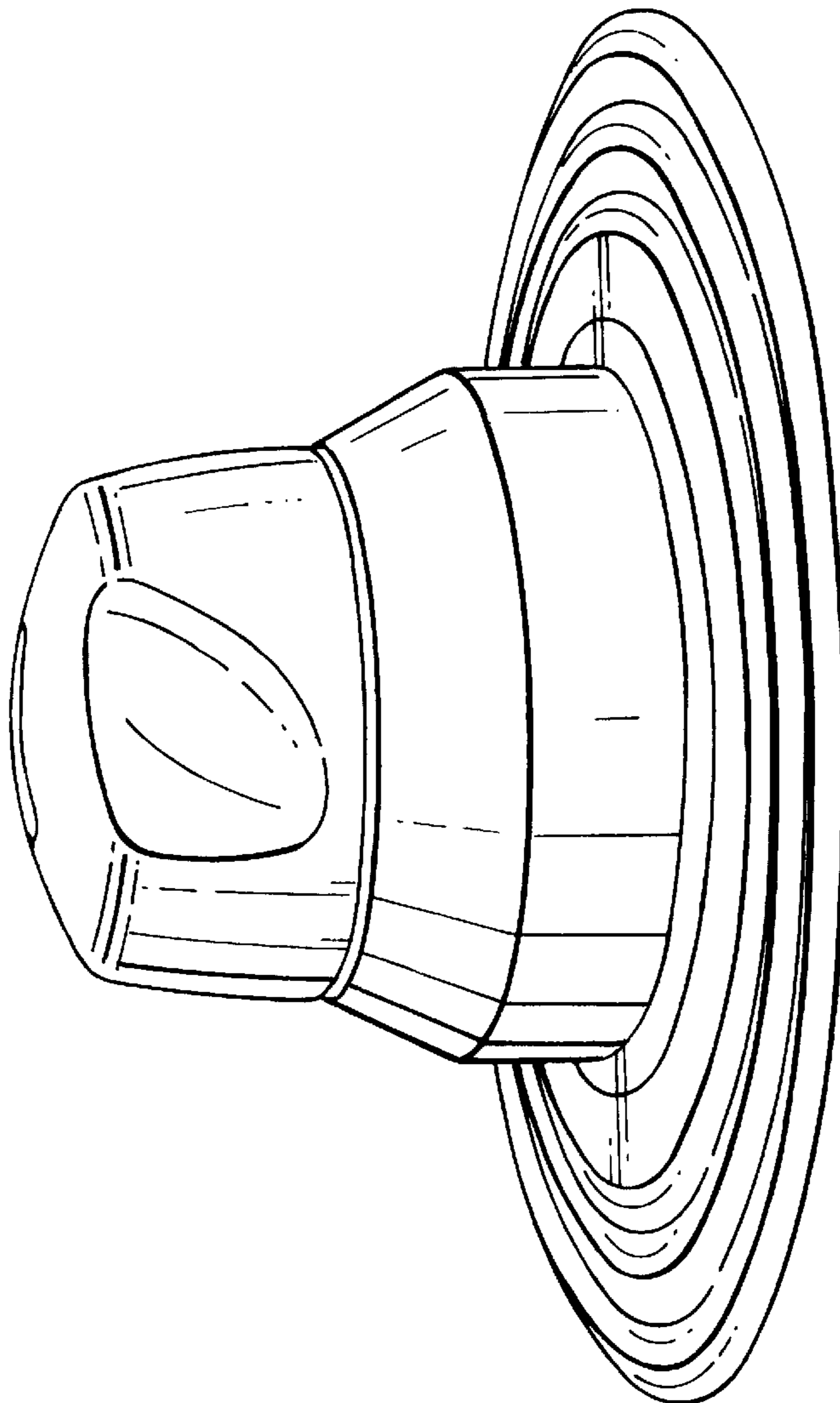
[57] CLAIM

The ornamental design for a valve, as shown and described.

DESCRIPTION

FIG. 1 is a front elevational view of a valve, showing my new design;
FIG. 2 is a top perspective view thereof;
FIG. 3 is a bottom perspective view thereof; and,
FIG. 4 is a side perspective view thereof.

1 Claim, 4 Drawing Sheets



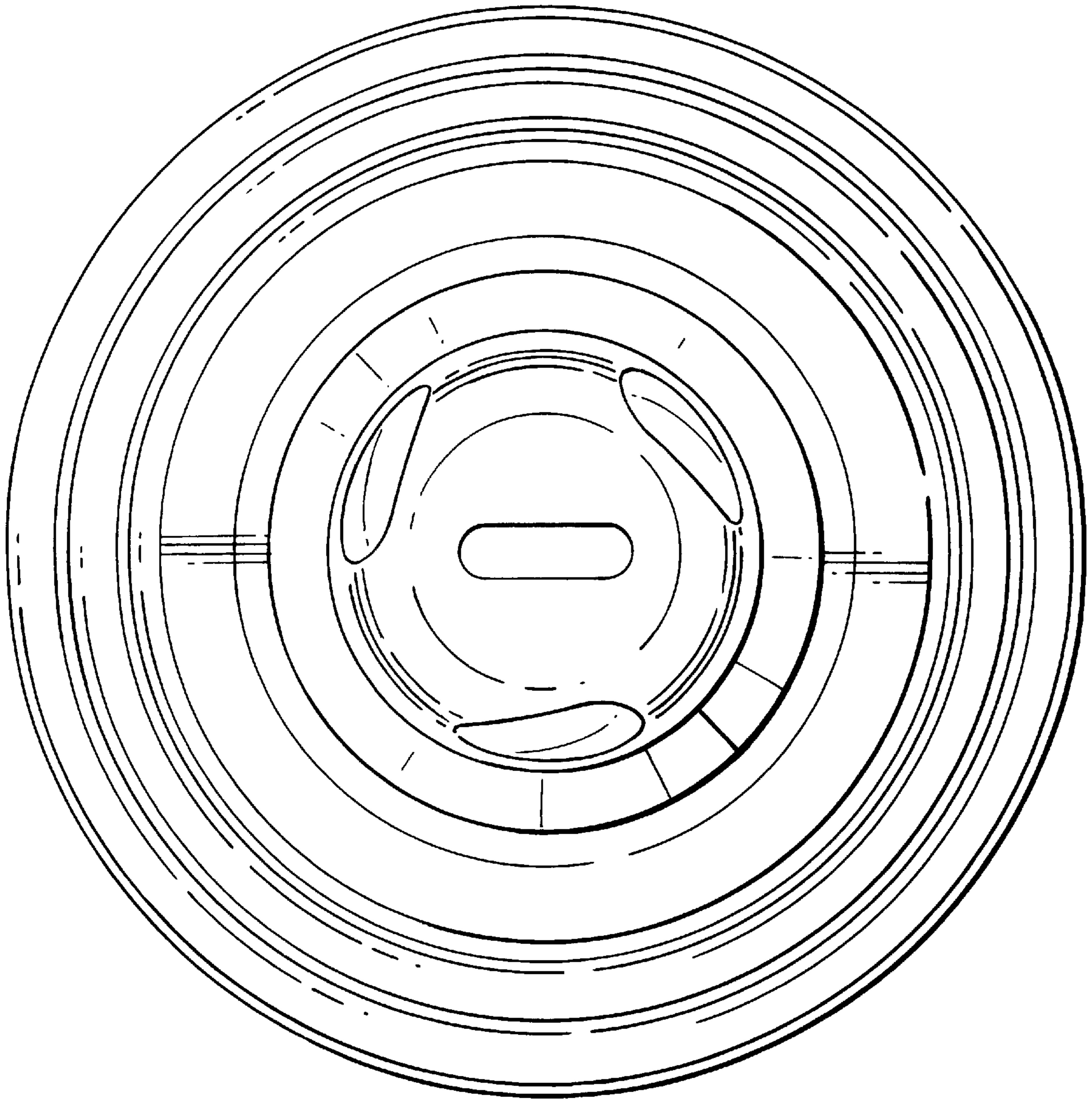


Fig.1.

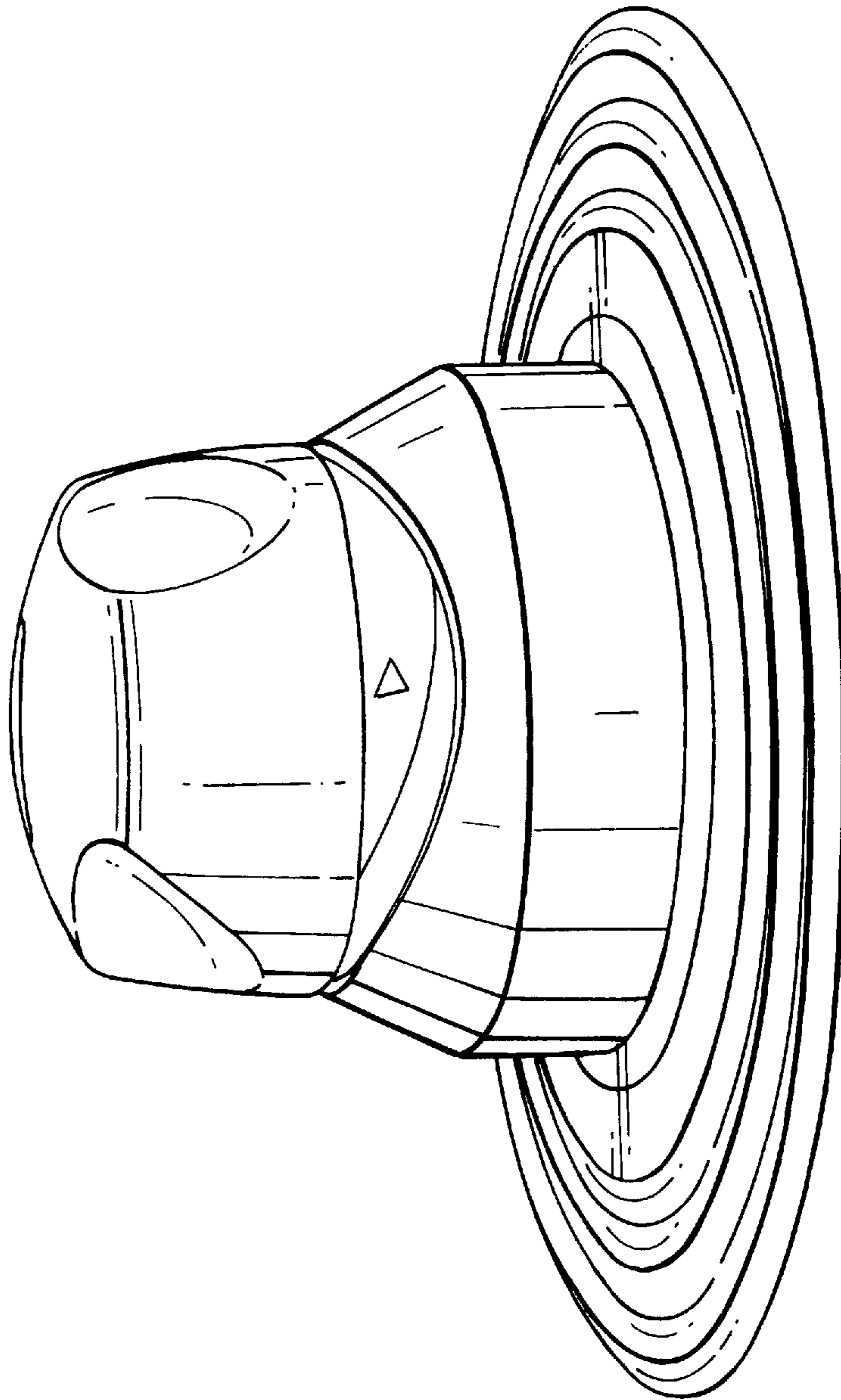


Fig.2.

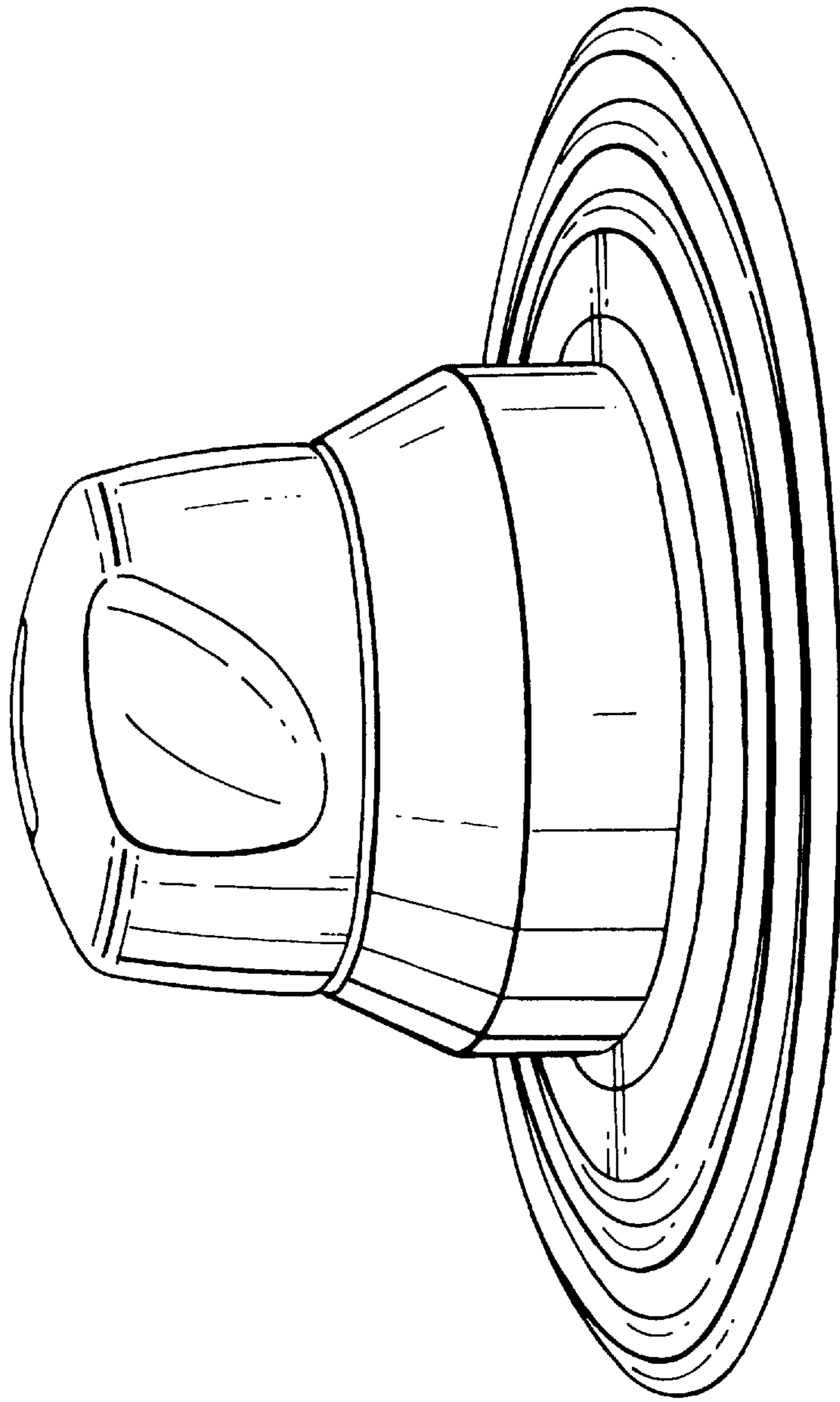


Fig.3.

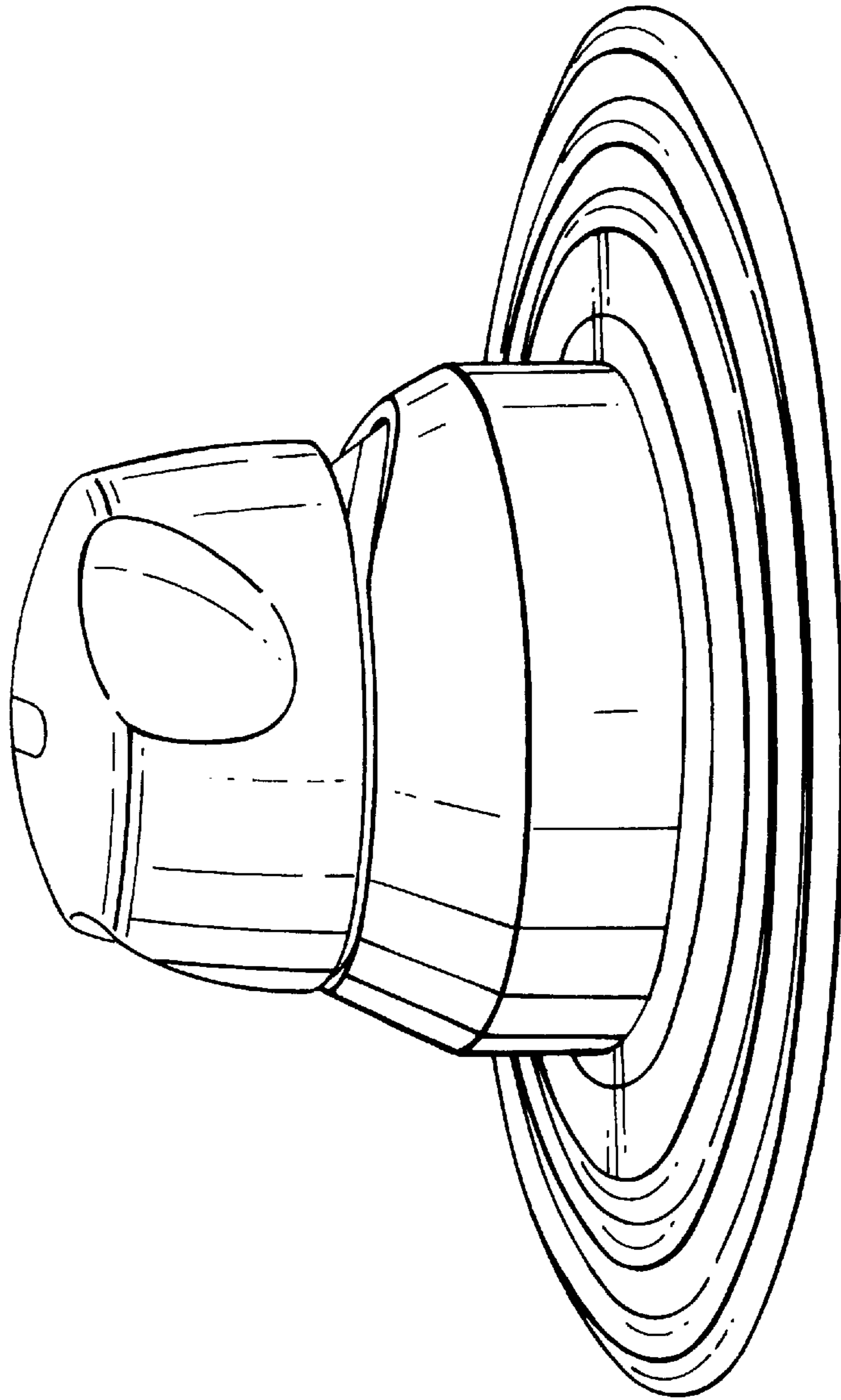


Fig.4.