



US00D406876S

United States Patent [19]
Ko

[11] **Patent Number: Des. 406,876**

[45] **Date of Patent: **Mar. 16, 1999**

[54] **MIXING FAUCET**

[75] Inventor: **Hsi-Chia Ko**, Changhua Hsien, Taiwan

[73] Assignee: **Chung Cheng Faucet Co., Ltd.**,
Changhua Hsien, Taiwan

[**] Term: **14 Years**

[21] Appl. No.: **84,474**

[22] Filed: **Mar. 4, 1998**

[51] **LOC (6) Cl.** **23-01**

[52] **U.S. Cl.** **D23/241**

[58] **Field of Search** D23/238-243,
D23/250-257; 4/675-678; 137/801

[56] **References Cited**

U.S. PATENT DOCUMENTS

D. 368,302 3/1996 Doughty et al. D23/241
D. 375,142 10/1996 Doughty et al. D23/241
D. 380,252 6/1997 Abel D23/241

D. 381,400 7/1997 Doughty et al. D23/241
D. 384,132 9/1997 Doughty et al. D23/241
D. 384,183 9/1997 Doughty et al. D23/241

Primary Examiner—Louis S. Zarfes
Assistant Examiner—Eric Watterson
Attorney, Agent, or Firm—Browdy and Neimark

[57] **CLAIM**

The ornamental design for “mixing faucet,” as shown and described.

DESCRIPTION

FIG. 1 is a perspective view of mixing faucet showing my new design;

FIG. 2 is a front view thereof;

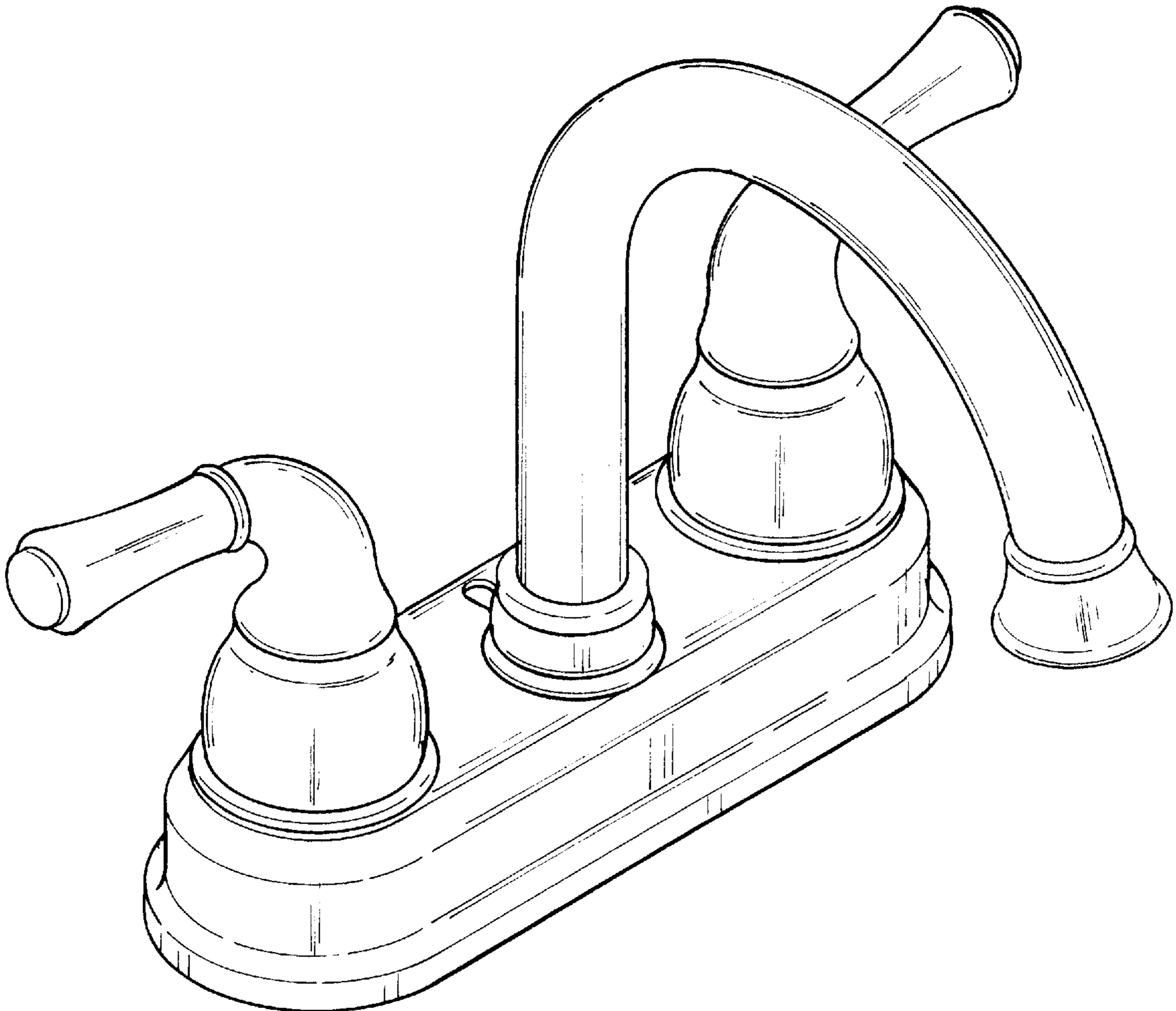
FIG. 3 is a rear view thereof;

FIG. 4 is a left side view thereof, the right side is identical;

FIG. 5 is top view thereof; and,

FIG. 6 is a bottom view thereof.

1 Claim, 6 Drawing Sheets



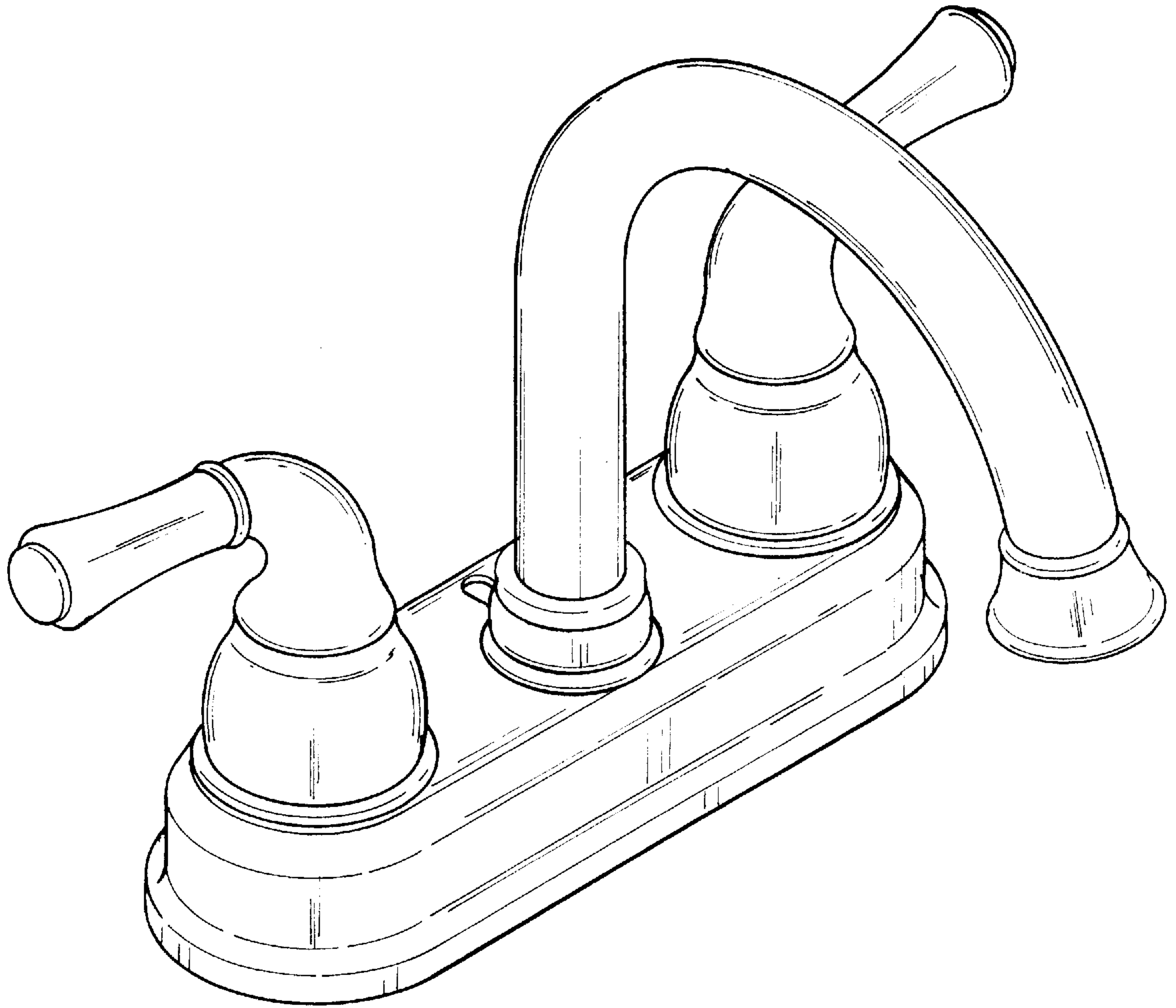


FIG. 1

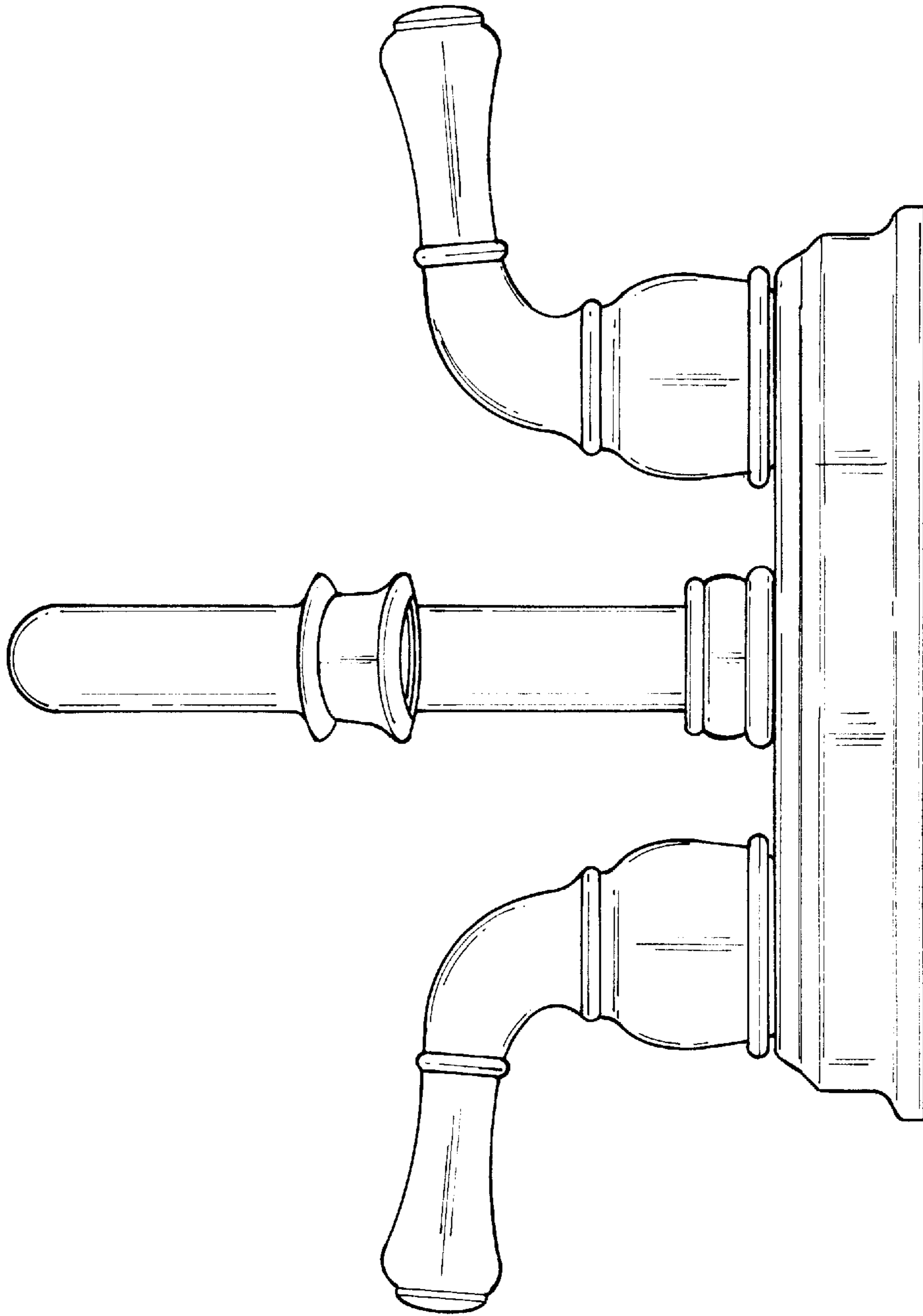


FIG. 2

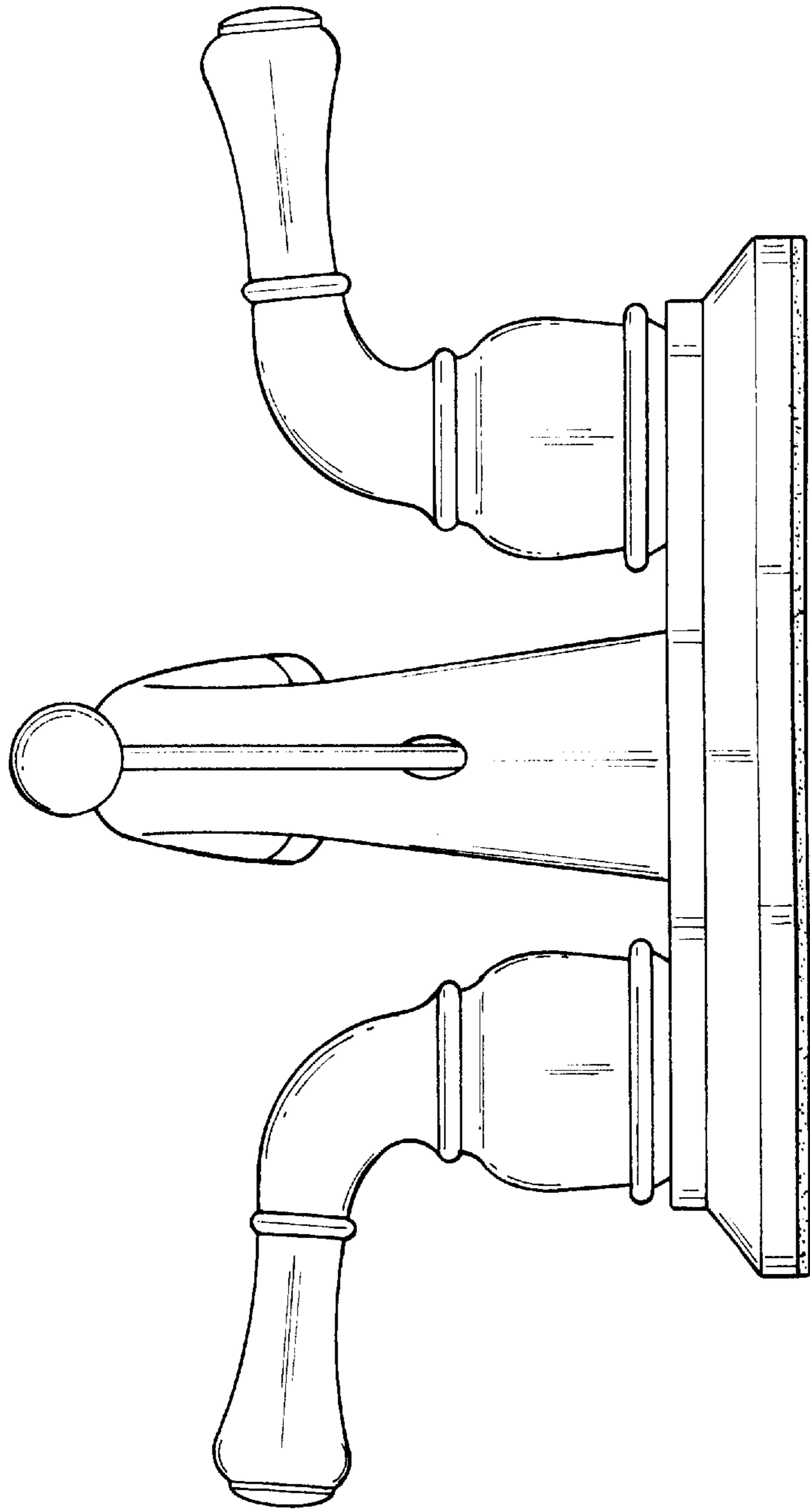


FIG. 3

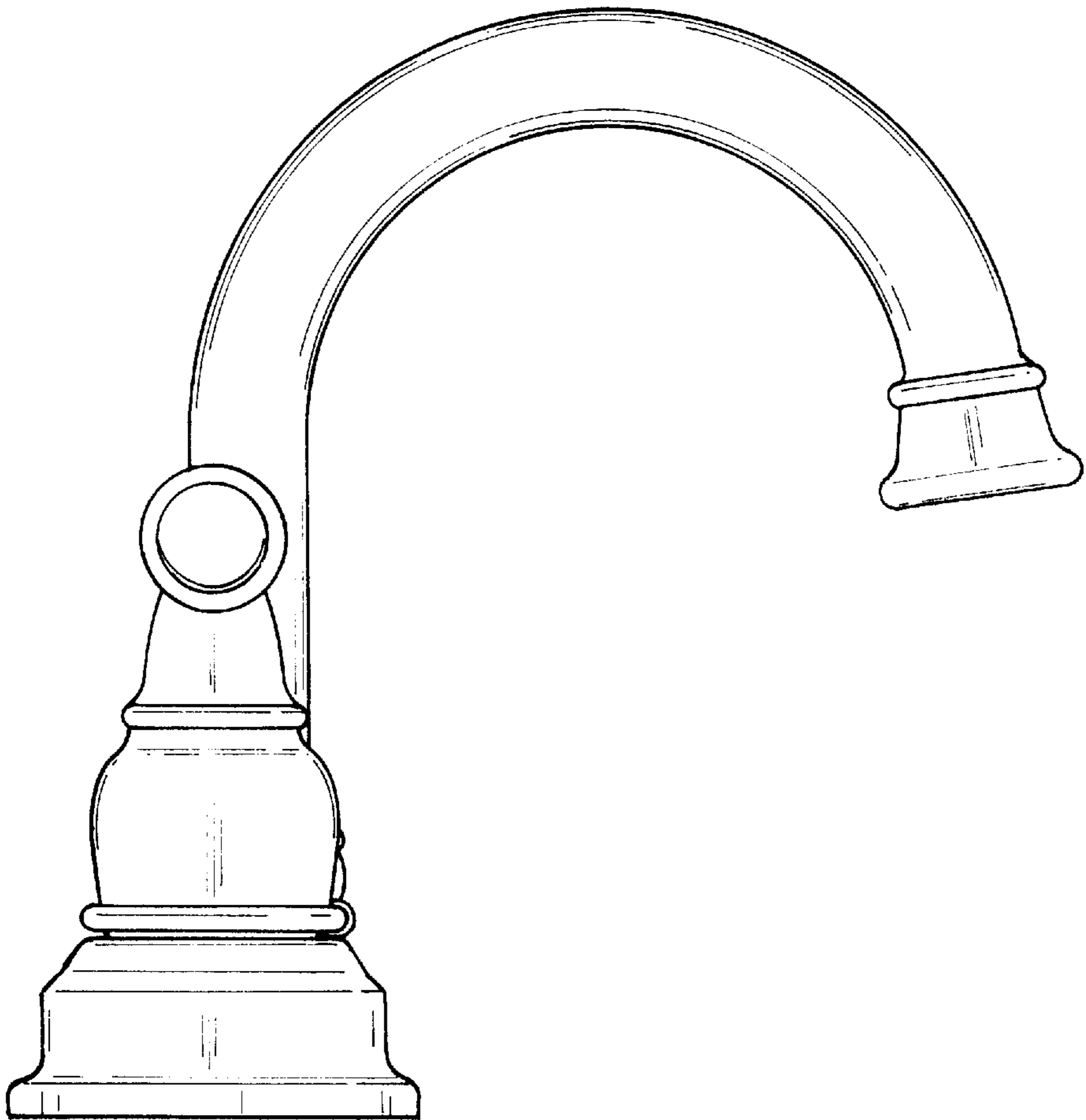


FIG.4

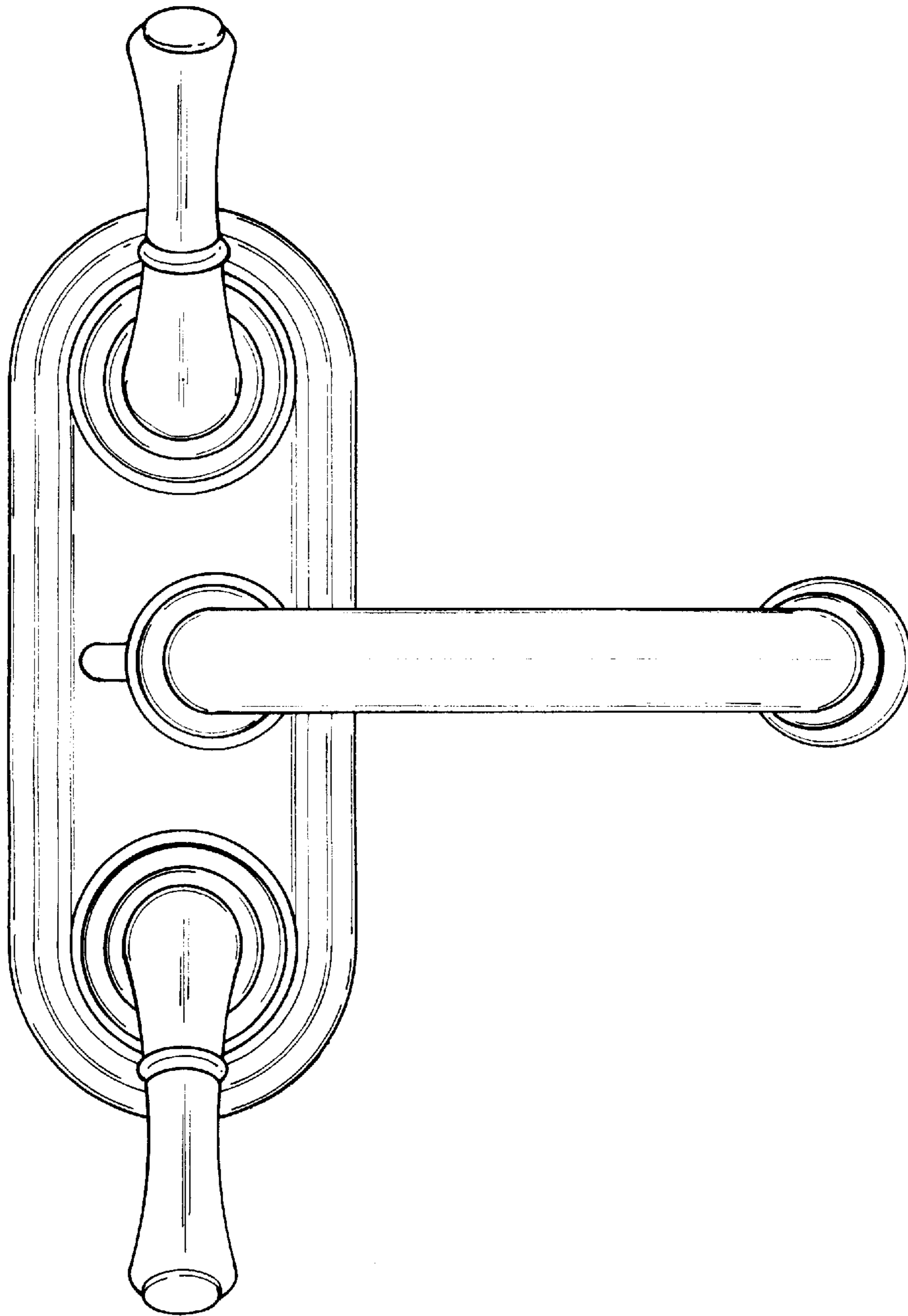


FIG. 5

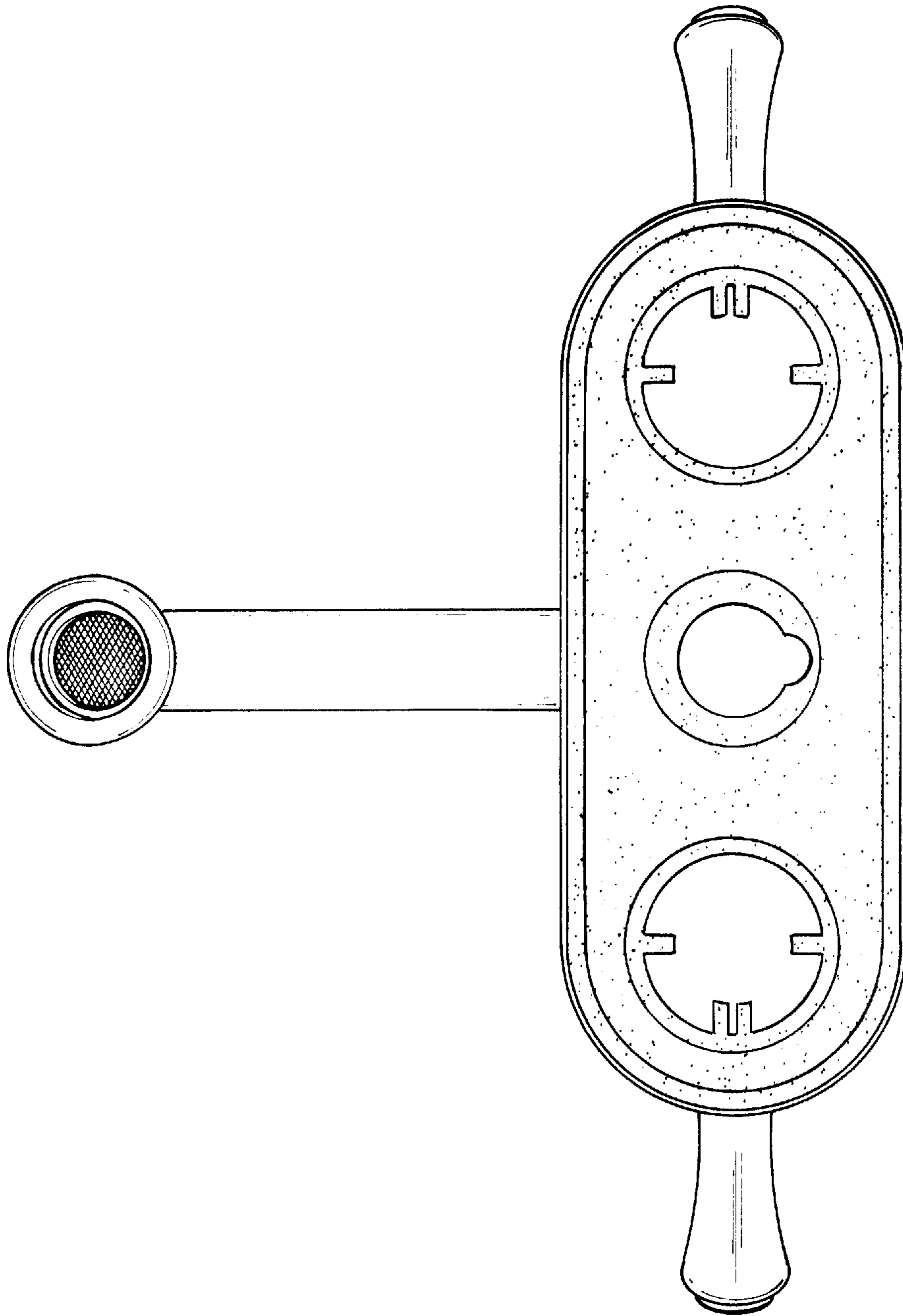


FIG. 6