



US00D406875S

# United States Patent [19]

Uehara

[11] Patent Number: **Des. 406,875**

[45] Date of Patent: **\*\*Mar. 16, 1999**

[54] **PRESSURE REDUCING VALVE**

4,624,277 11/1986 Veite ..... 137/116.3  
4,696,320 9/1987 Bull ..... 137/505

[75] Inventor: **Teruo Uehara**, Ibaraki-ken, Japan

[73] Assignee: **SMC Kabushiki Kaisha**, Tokyo, Japan

[\*\*] Term: **14 Years**

*Primary Examiner*—Alan P. Douglas  
*Assistant Examiner*—Robin V. Taylor  
*Attorney, Agent, or Firm*—Oblon, Spivak, McClelland,  
Maier & Neustadt, P.C.

[21] Appl. No.: **64,189**

[57] **CLAIM**

[22] Filed: **Dec. 23, 1996**

The ornamental design for a pressure reducing valve, as shown.

[51] **LOC (6) Cl.** ..... **23-01**

**DESCRIPTION**

[52] **U.S. Cl.** ..... **D23/235**

[58] **Field of Search** ..... D23/233, 235,  
D23/245, 247, 248; 137/116.3, 505, 505.42

FIG. 1 is a top plan view of a pressure reducing valve, showing our new design;  
FIG. 2 is a front view thereof;  
FIG. 3 is a right side view thereof;  
FIG. 4 is a bottom view thereof;  
FIG. 5 is a rear view thereof;  
FIG. 6 is a left side view thereof; and,  
FIG. 7 is a perspective view thereof.

[56] **References Cited**

**U.S. PATENT DOCUMENTS**

D. 301,914 6/1989 Ogasawara et al. .... D23/235  
D. 301,917 6/1989 Ogasawara et al. .... D23/235  
2,215,597 9/1940 Semon et al. .... 137/505.42  
3,071,146 1/1963 Friedell et al. .... 137/116.3

**1 Claim, 3 Drawing Sheets**

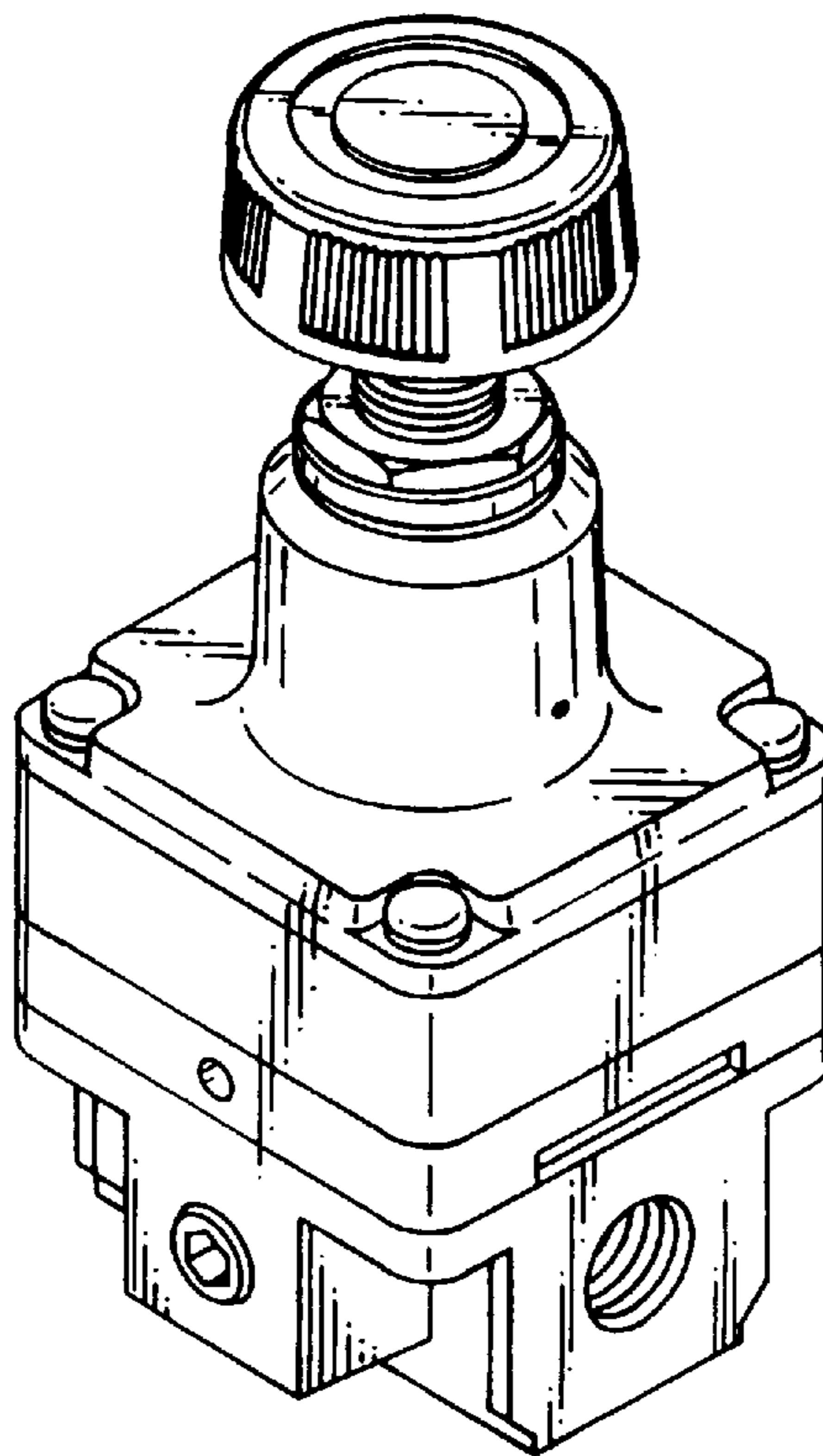


FIG. 1

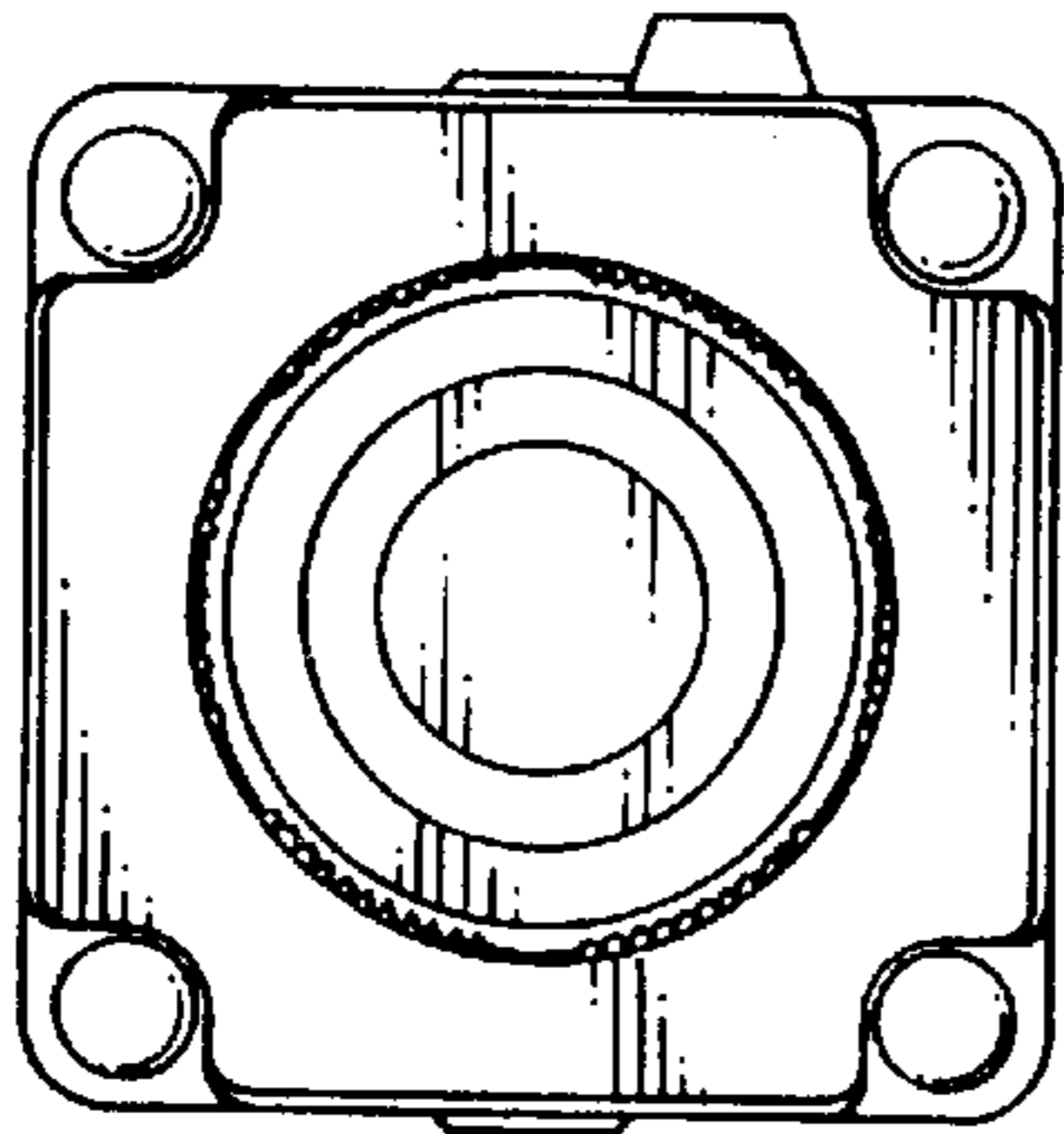


FIG. 2

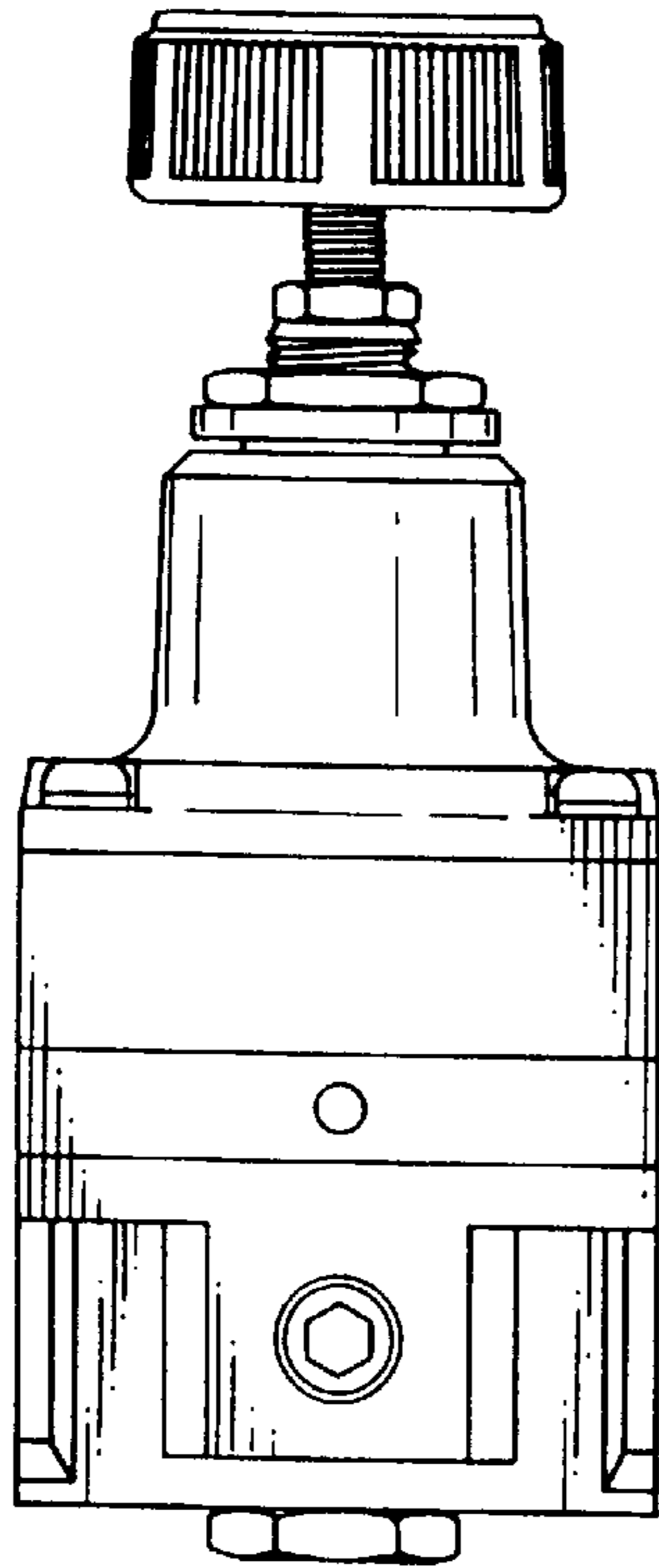


FIG. 3

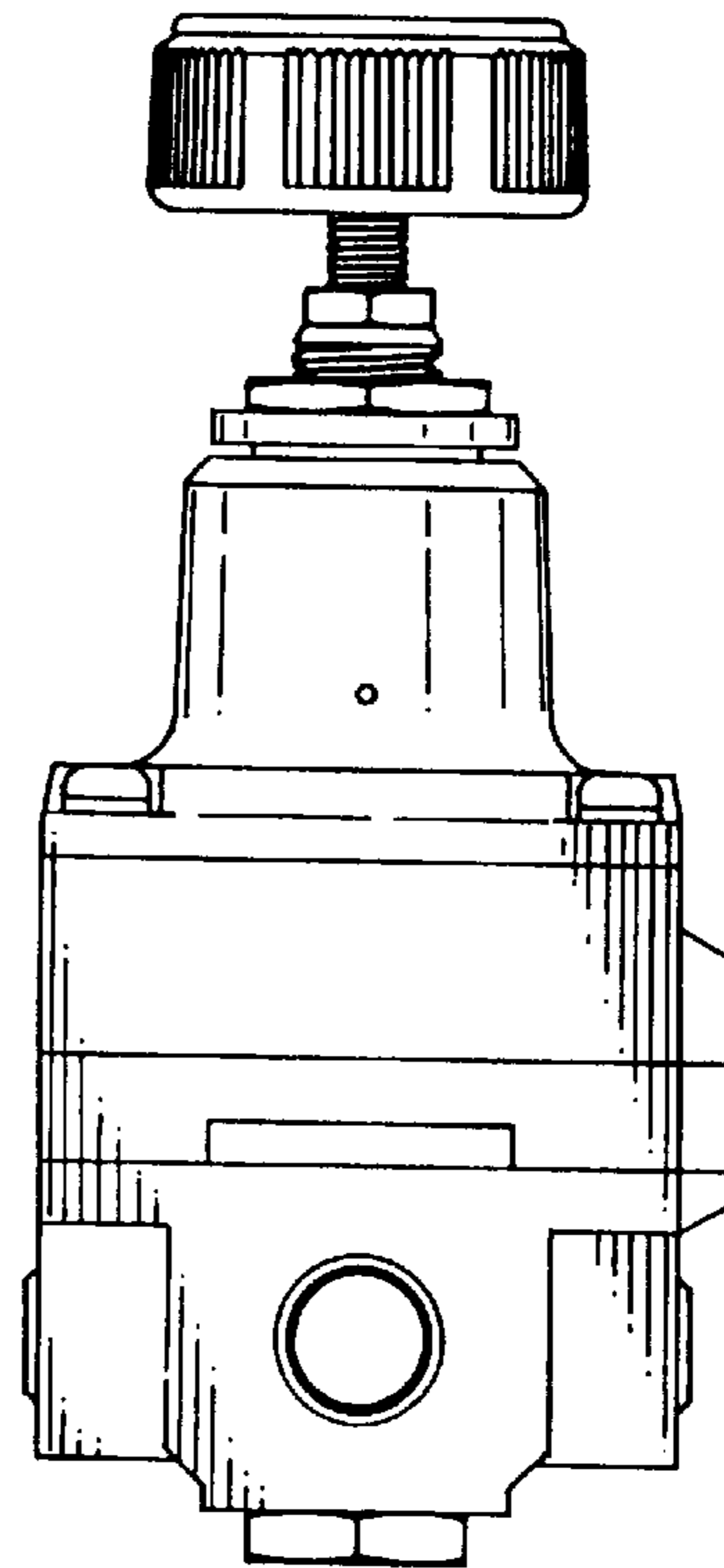


FIG. 4

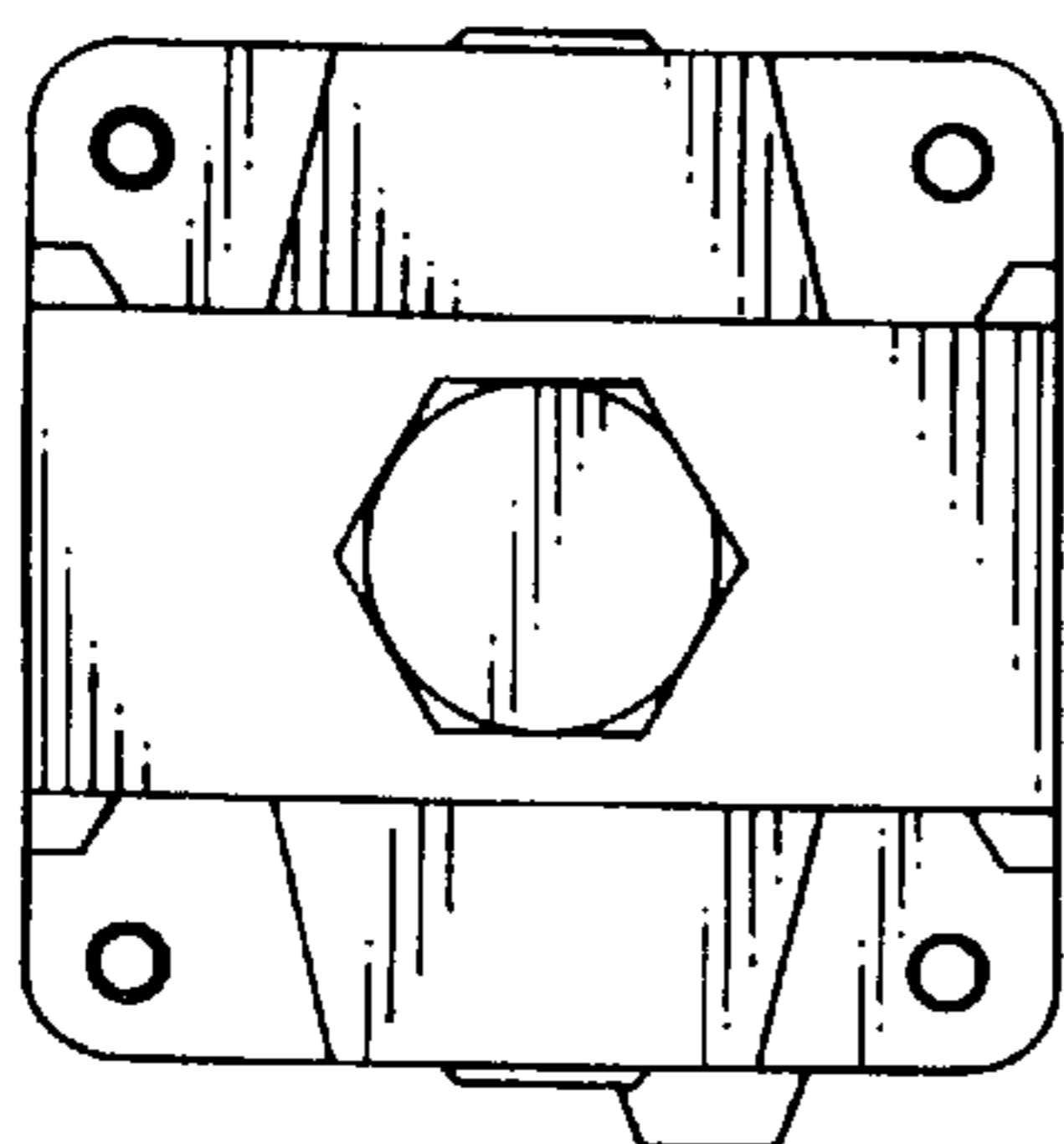


FIG.5

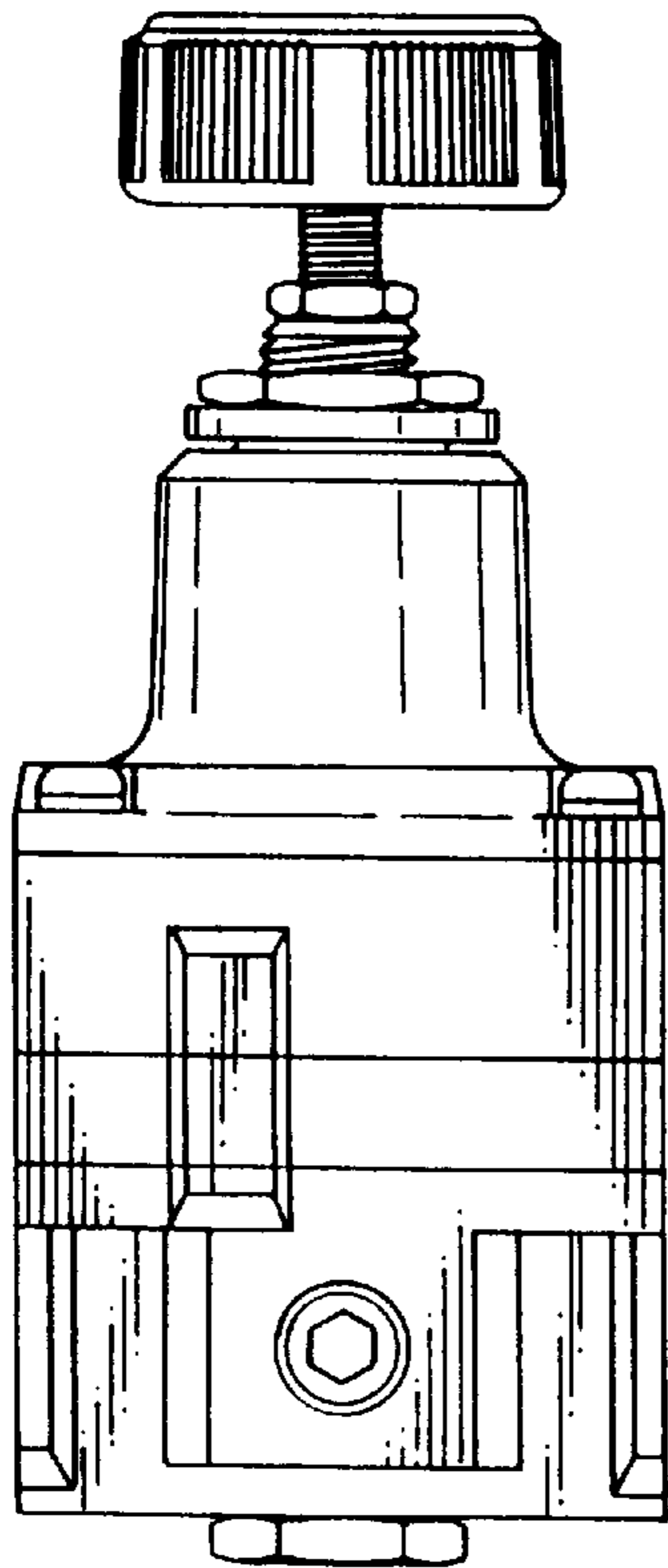


FIG.6

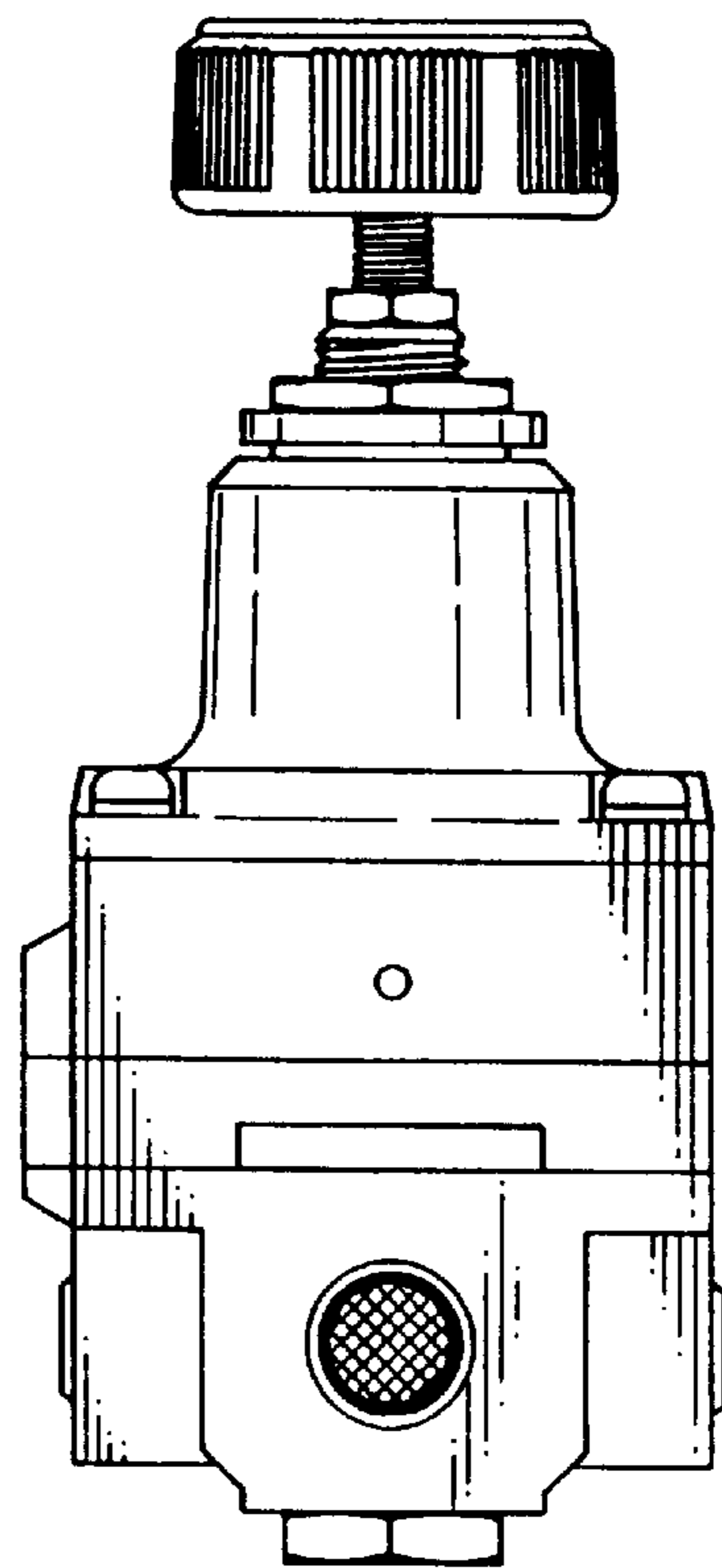


FIG. 7

