

US00D406874S

# United States Patent [19] Farley

[11] **Patent Number: Des. 406,874**

[45] **Date of Patent: \*\*Mar. 16, 1999**

[54] **LOW PROFILE SHOWER FILTER HOUSING**

5,545,314 8/1996 Parise et al. .... 210/460

[76] Inventor: **David K. Farley**, 1827 Capital St.,  
Corona, Calif. 91720

*Primary Examiner*—Alan P. Douglas  
*Assistant Examiner*—Robin V. Taylor  
*Attorney, Agent, or Firm*—James G. O’Neill

[\*\*] Term: **14 Years**

[57] **CLAIM**

[21] Appl. No.: **85,069**

The ornamental design for a low profile shower filter housing, as shown and described.

[22] Filed: **Mar. 16, 1998**

[51] **LOC (6) Cl.** ..... **23-01**

**DESCRIPTION**

[52] **U.S. Cl.** ..... **D23/209**

FIG. 1 is a perspective view of a low profile shower filter housing showing my new design, looking toward the front and top thereof;

[58] **Field of Search** ..... D23/200, 207,  
D23/209; 210/198.1, 448, 460, 461

FIG. 2 is a top plan view thereof;

[56] **References Cited**

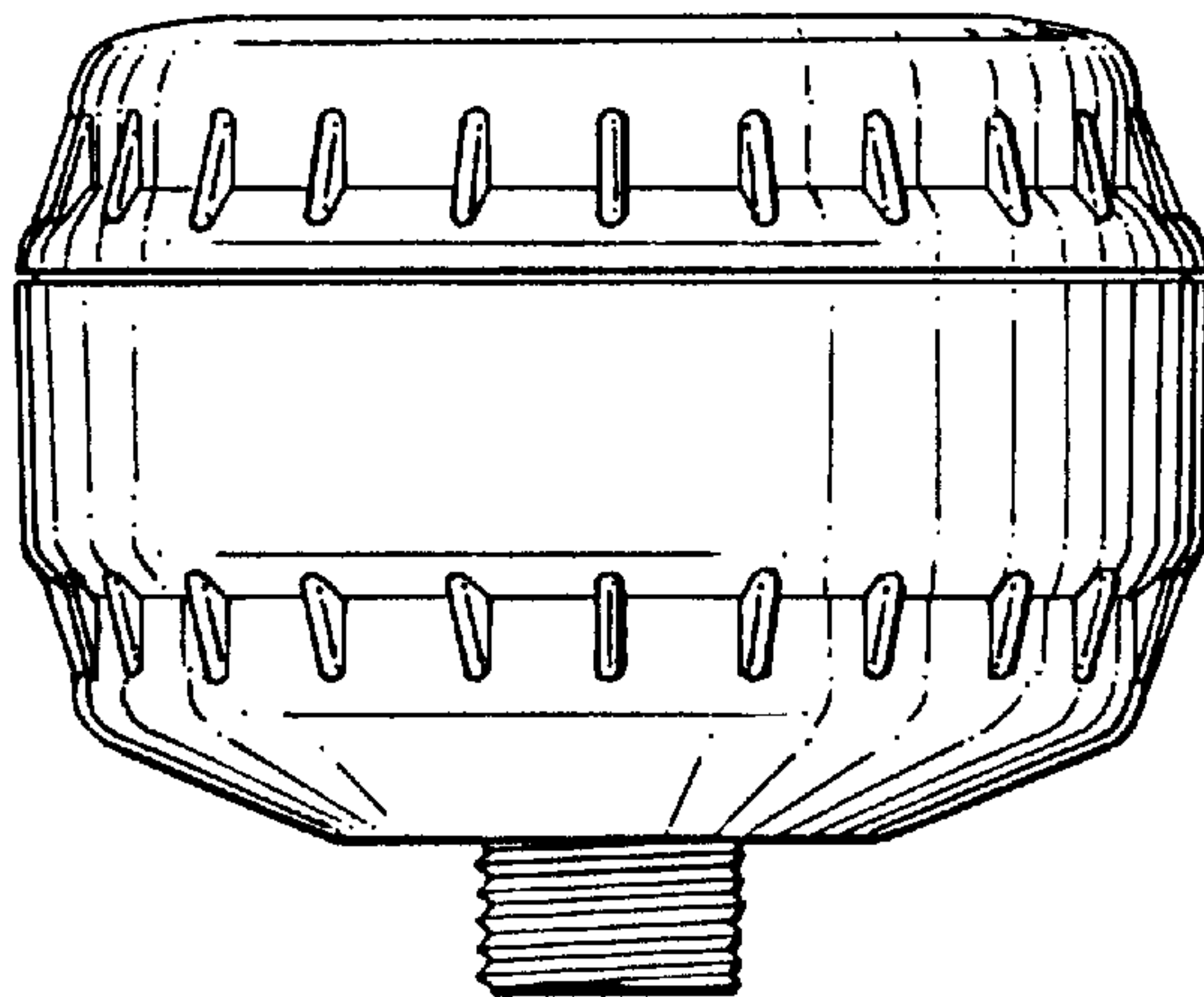
FIG. 3 is a bottom plan view thereof; and,

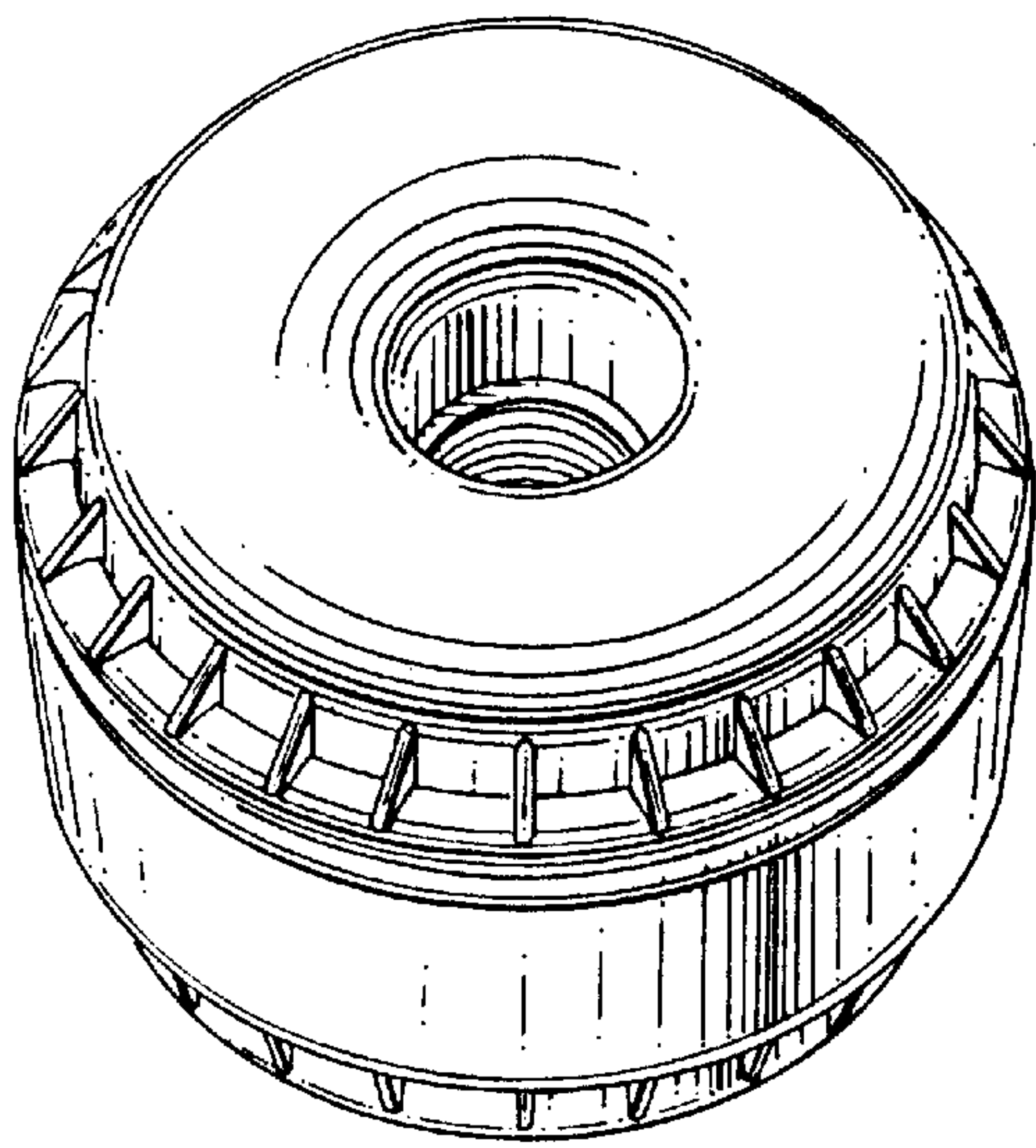
**U.S. PATENT DOCUMENTS**

FIG. 4 is a front elevational view thereof, the rear and side views thereof being identical to that shown.

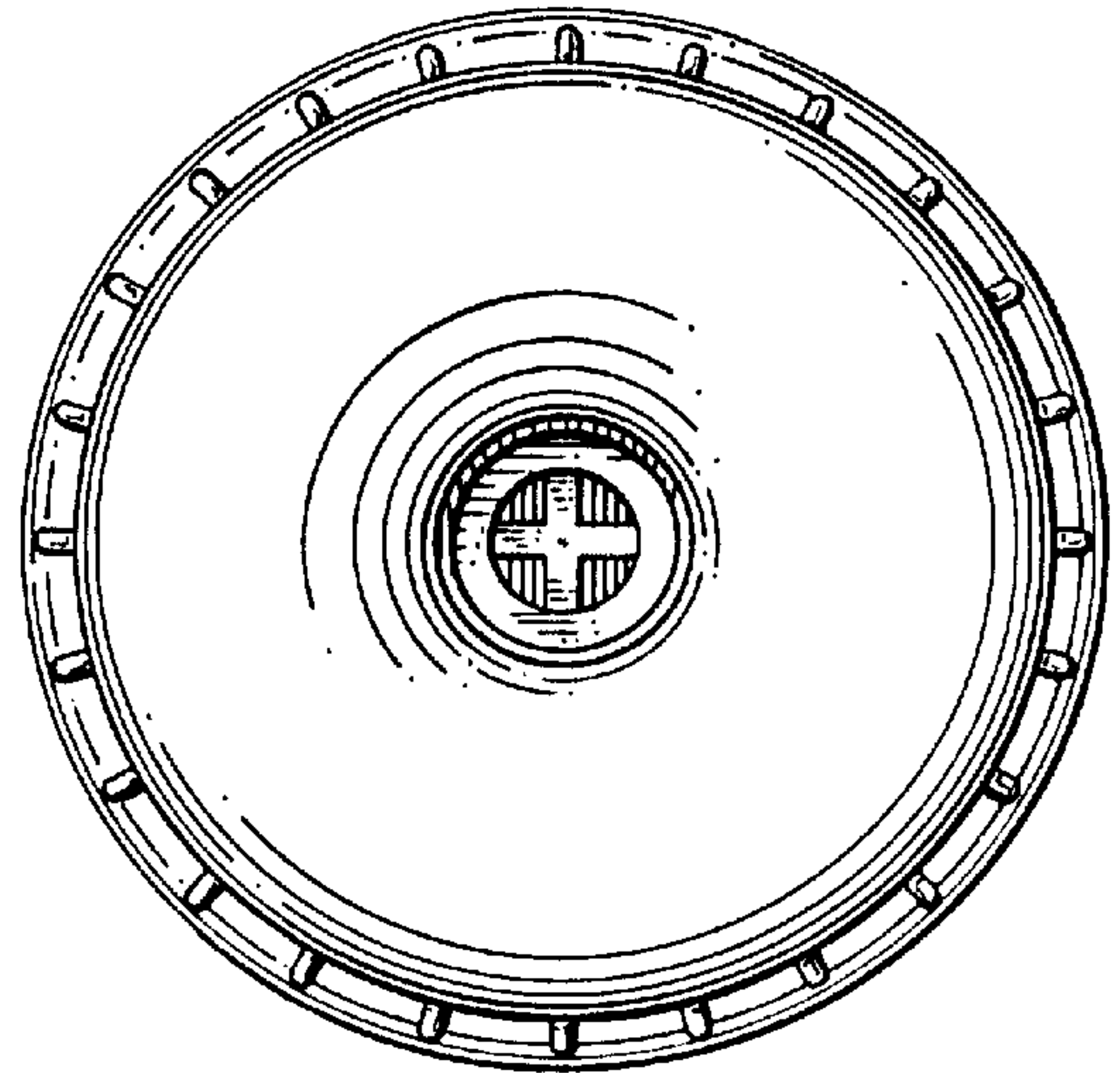
- D. 361,622 8/1995 Farley .
- D. 364,446 11/1995 Farley ..... D23/209
- D. 378,850 4/1997 Howe et al. .... D23/209

**1 Claim, 1 Drawing Sheet**

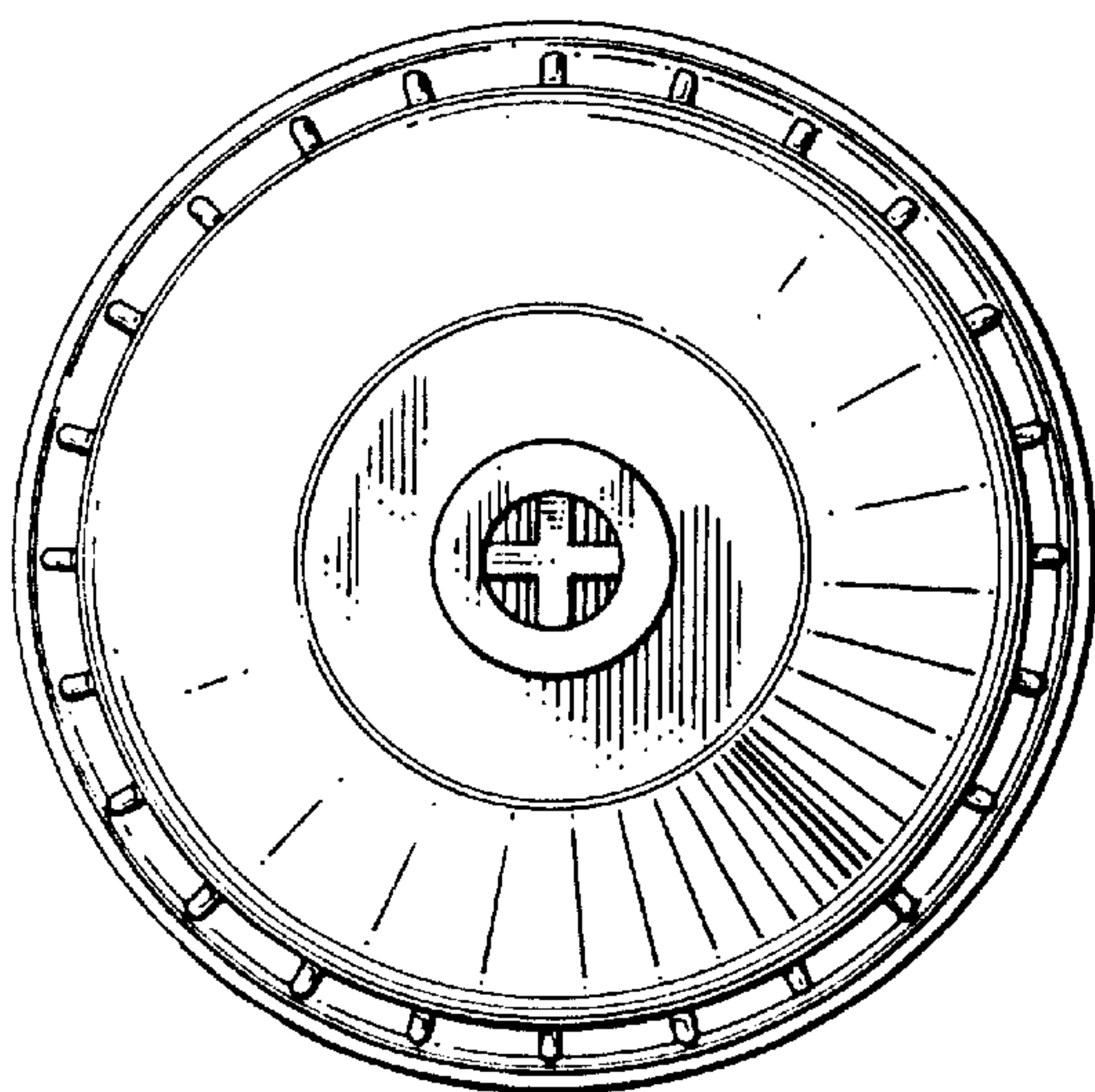




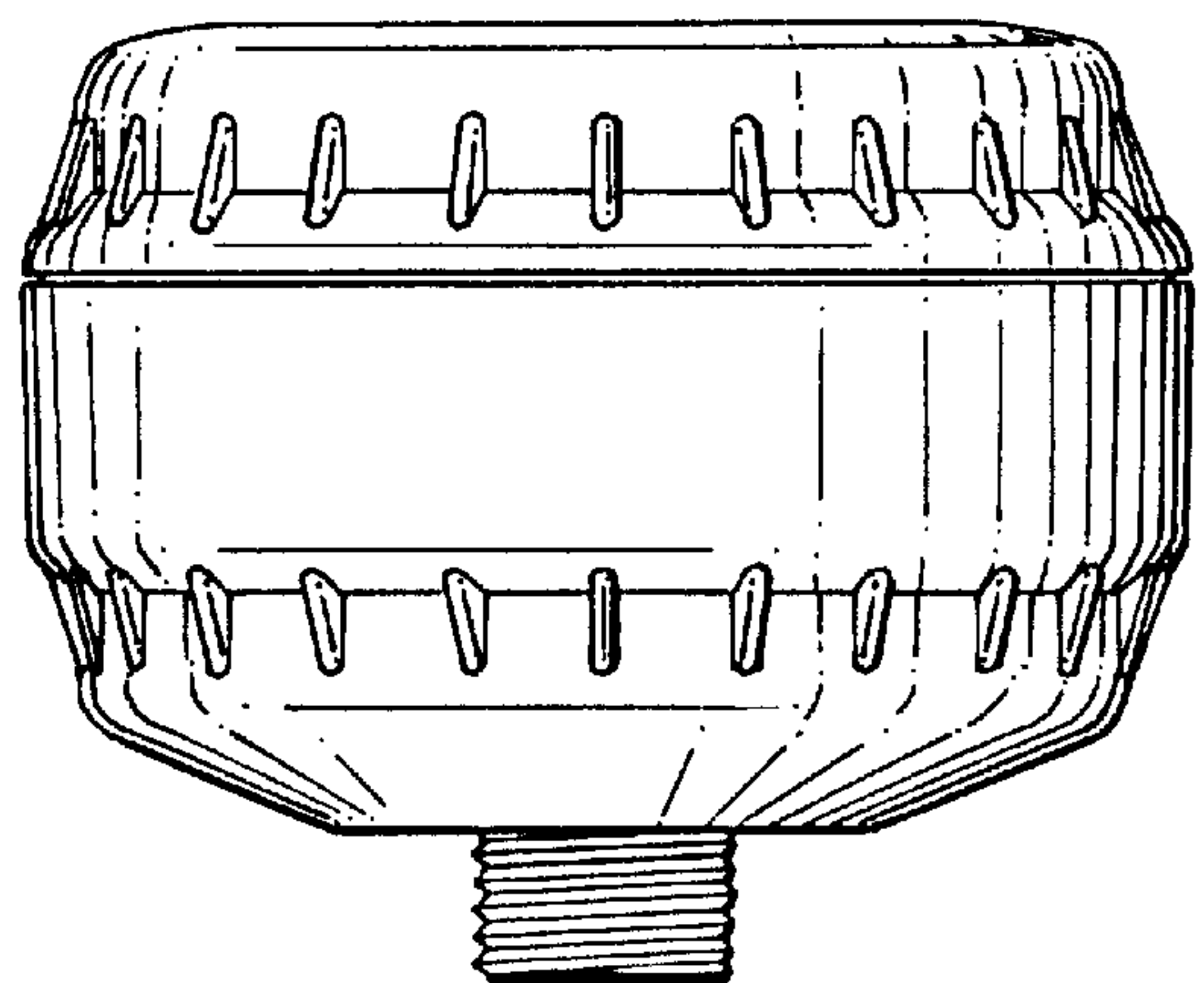
*FIG. 1*



*FIG. 2*



*FIG. 3*



*FIG. 4*