



US00D406871S

# United States Patent [19] Briggs

[11] Patent Number: Des. 406,871

[45] Date of Patent: \*\*Mar. 16, 1999

[54] **FUNHOUSE PLAY STRUCTURE AND  
BOILER WATER FOUNTAIN**

[75] Inventor: **Rick A. Briggs**, Springfield, Ill.

[73] Assignee: **SCS Interactive, Inc.**, Springfield, Ill.

[\*\*] Term: **14 Years**

[21] Appl. No.: **80,201**

[22] Filed: **Dec. 3, 1997**

[51] **LOC (6) Cl.** ..... **21-03**

[52] **U.S. Cl.** ..... **D21/811**

[58] **Field of Search** ..... D21/811, 814,  
D21/826, 827, 831, 832; 472/128, 117,  
137, 116; 48/35

[56] **References Cited**

**U.S. PATENT DOCUMENTS**

D. 241,664	9/1976	Ewers .	
D. 330,579	10/1992	Briggs .	
3,231,269	1/1966	Dalrymple .	
4,057,244	11/1977	Gaspar .	
5,194,048	3/1993	Briggs .	
5,378,197	1/1995	Briggs .	
5,480,336	1/1996	Blanchard .	
5,554,074	9/1996	Von Parrish .	
5,649,867	7/1997	Briggs .....	482/35 X
5,662,525	9/1997	Briggs .....	482/35 X
5,741,189	4/1998	Briggs .....	482/35 X

**OTHER PUBLICATIONS**

Advertisement for *Mexico Forge*, 3800 Series, Drawing of Model 3813-311.

Advertisement for Sandman Playground Equipment™, containing a photograph of "The Christiana" playhouse.

Advertisement for Gym-Dandy®, date stamped Mar. 24, 1984.

Advertisement for Yards of Fun Inc., containing a photo and drawings of various swing sets, appearing in *Playthings*, Sep. 1987, p. 61.

Braunfelsbilt Products brochure, by New Braunfels General Store International, New Braunfels, Texas no date.

SCS Interactive Family Adventures Brochure, (Discovery Treehouse) by SCS Company of Tillamook, Oregon, no date.

SCSCO Company Models 107-400, products brochure, no date.

Creative Waterplay Components by SCS no date.

Splash Sep. 1989.

SCS Funhouse Brochure no date.

SCS Waterplay Arena Brochure no date.

SCS Pirate Fortress Brochure no date.

SCS Family Caribbean Adventure no date.

*Primary Examiner*—Mitchell I. Siegel

*Attorney, Agent, or Firm*—Knobbe, Martens, Olson & Bear, LLP

[57] **CLAIM**

The ornamental design for a funhouse play structure and boiler water fountain, as shown and described.

**DESCRIPTION**

FIG. 1 is a front elevational view of a boiler water fountain for a play structure in accordance with the present invention, the broken line showing of the play structure, font facade and entry awning is for illustrative purposes only and does not form part of the claimed design;

FIG. 2 is an enlarged front elevation view thereof;

FIG. 3 is a rear elevation of FIG. 2;

FIG. 4 is a right side elevational view of FIG. 2;

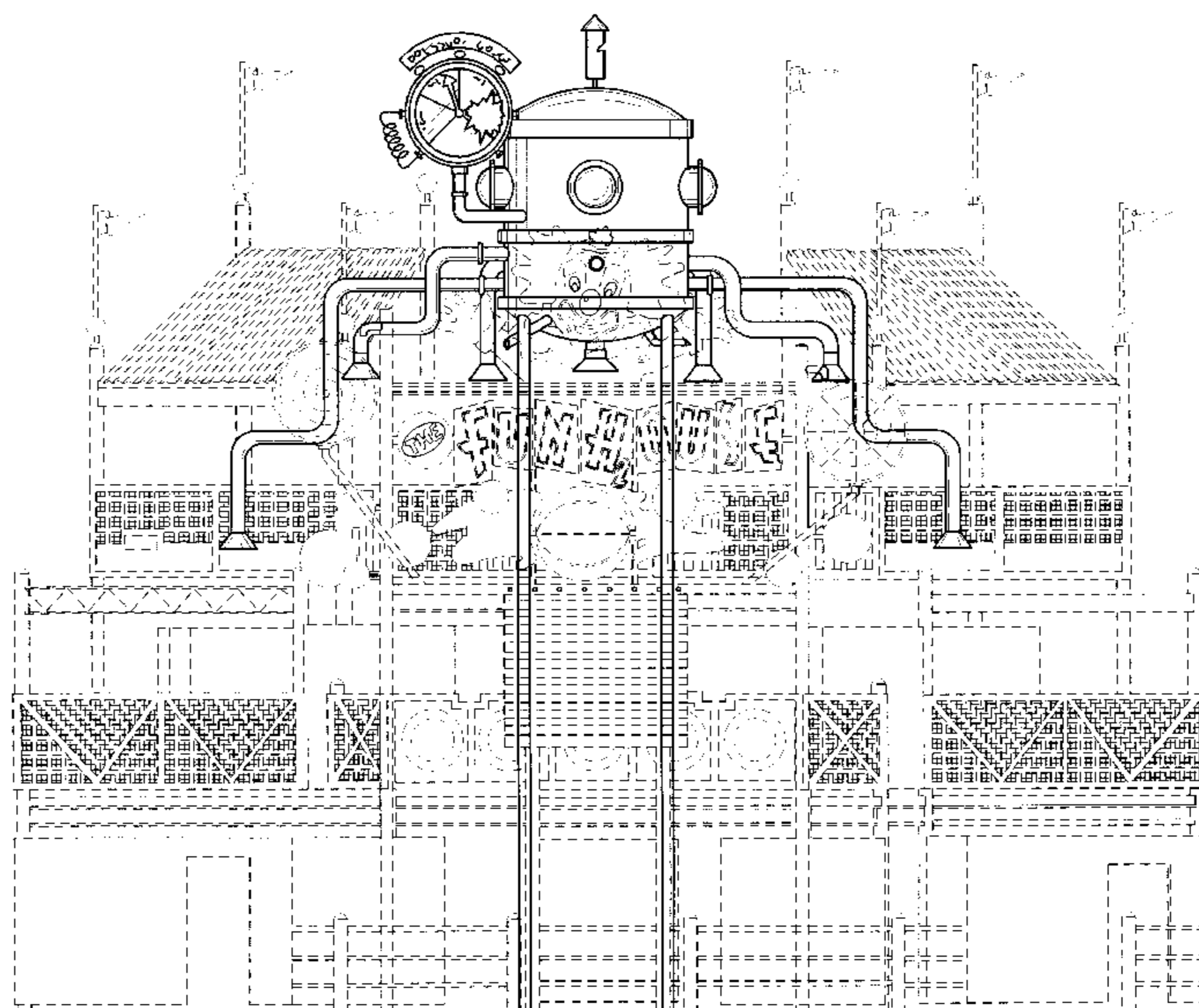
FIG. 5 is a left side elevational view of FIG. 2;

FIG. 6 is a top plan view of FIG. 2;

FIG. 7 is a bottom plan view of FIG. 2; and,

FIG. 8 is a front elevational view of FIG. 2, the broken line showing of the water is for illustrative purposes only and does not form part of the claimed design.

**1 Claim, 5 Drawing Sheets**



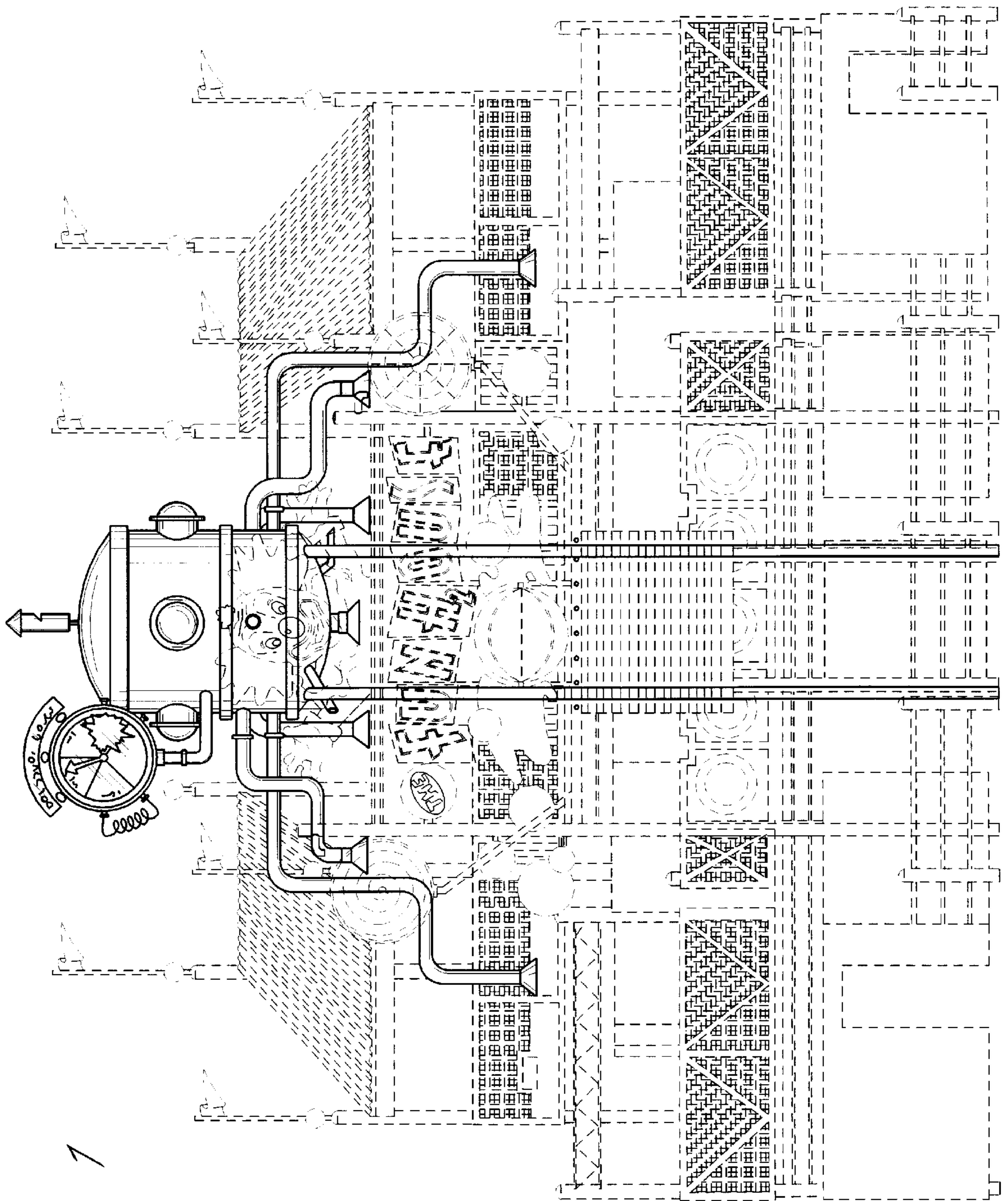


FIG. 1

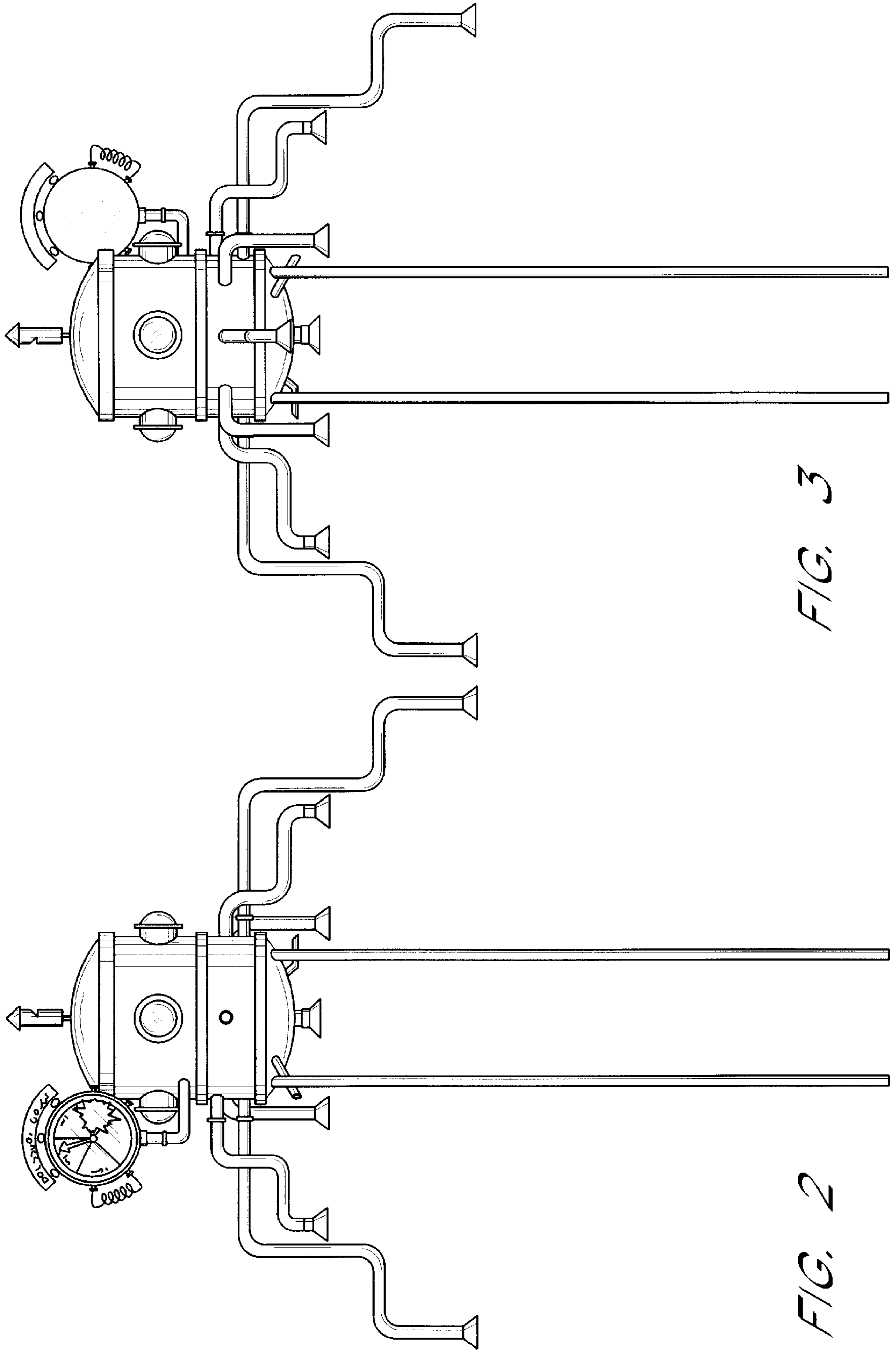


FIG. 3

FIG. 2

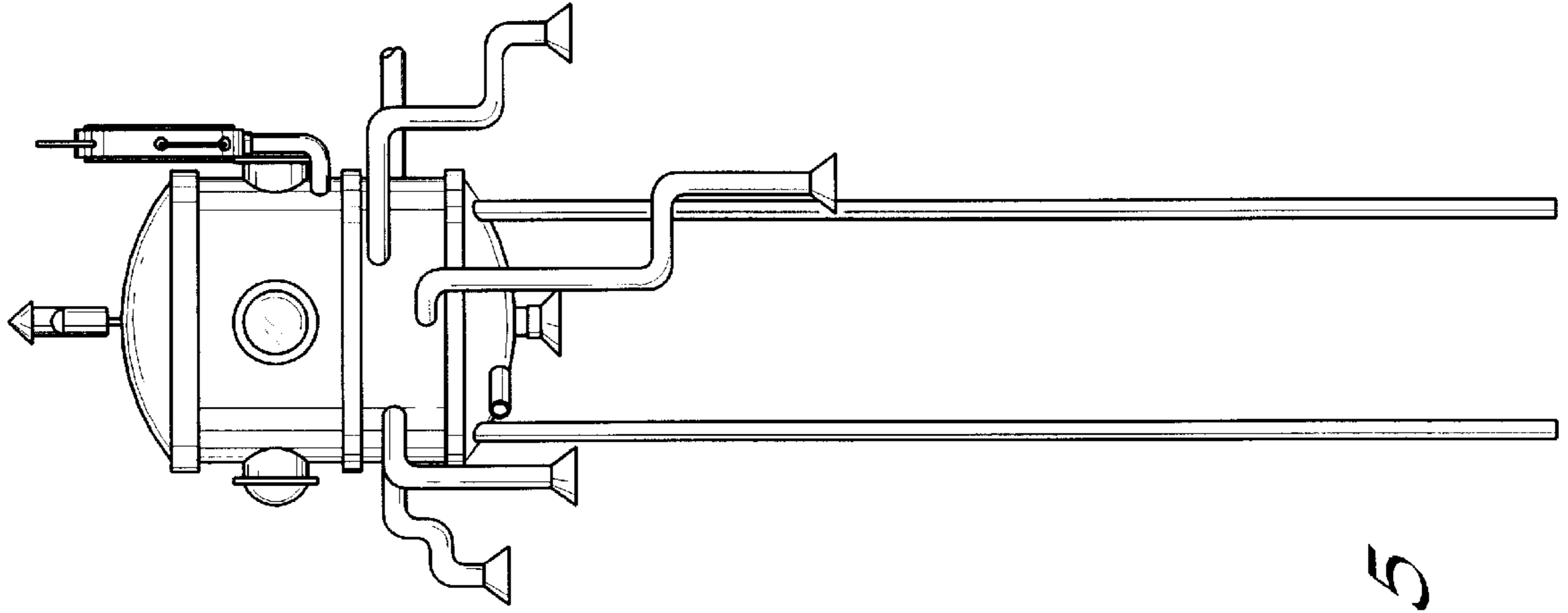


FIG. 5

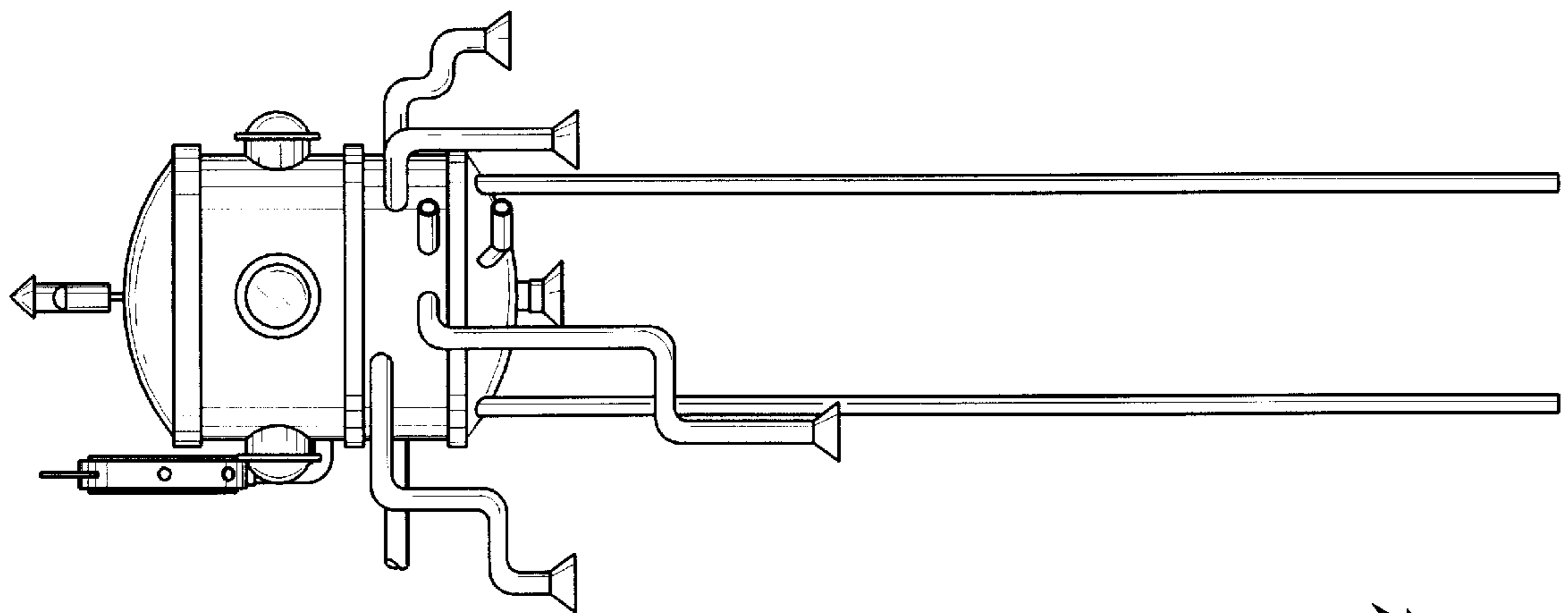


FIG. 4

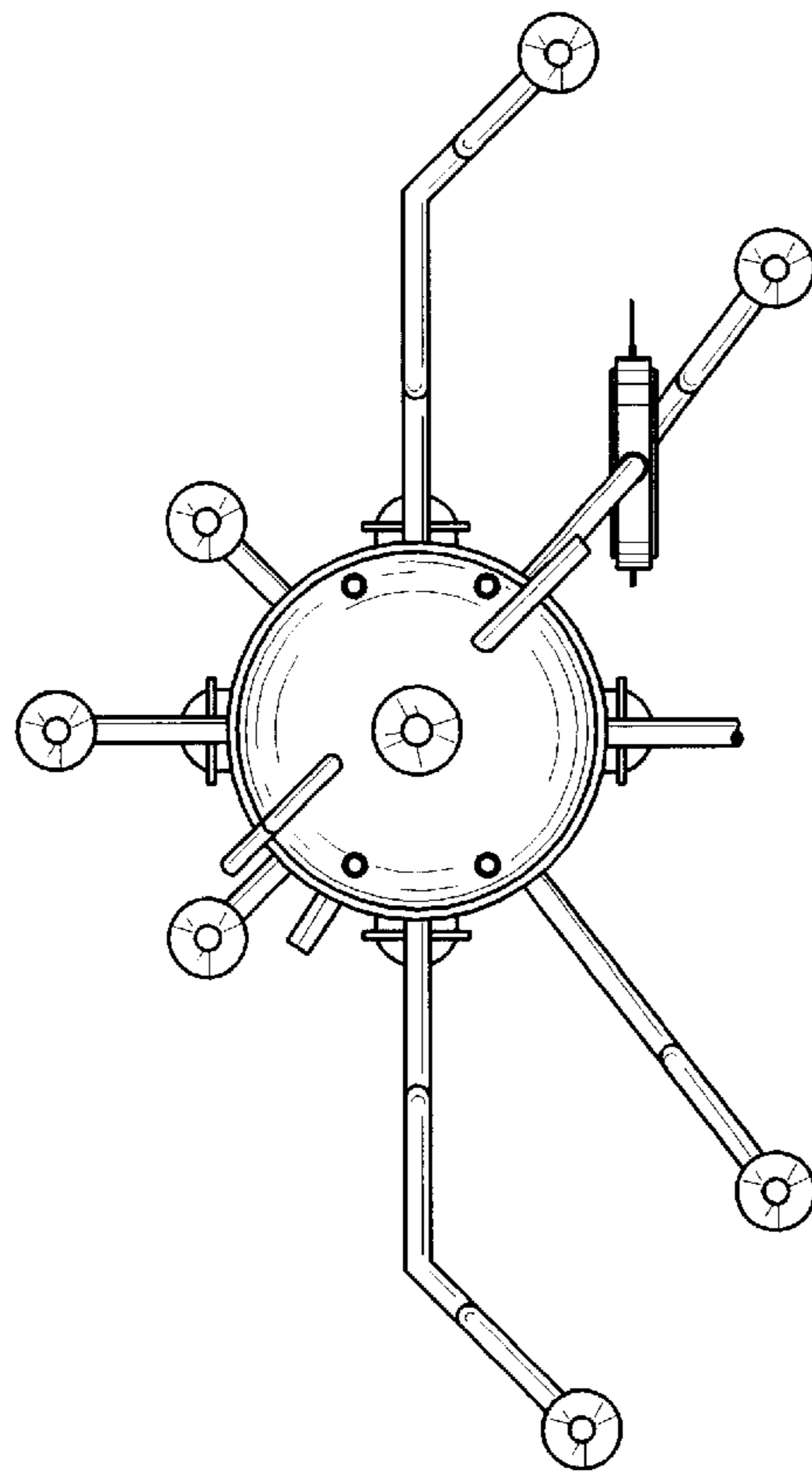


FIG. 7

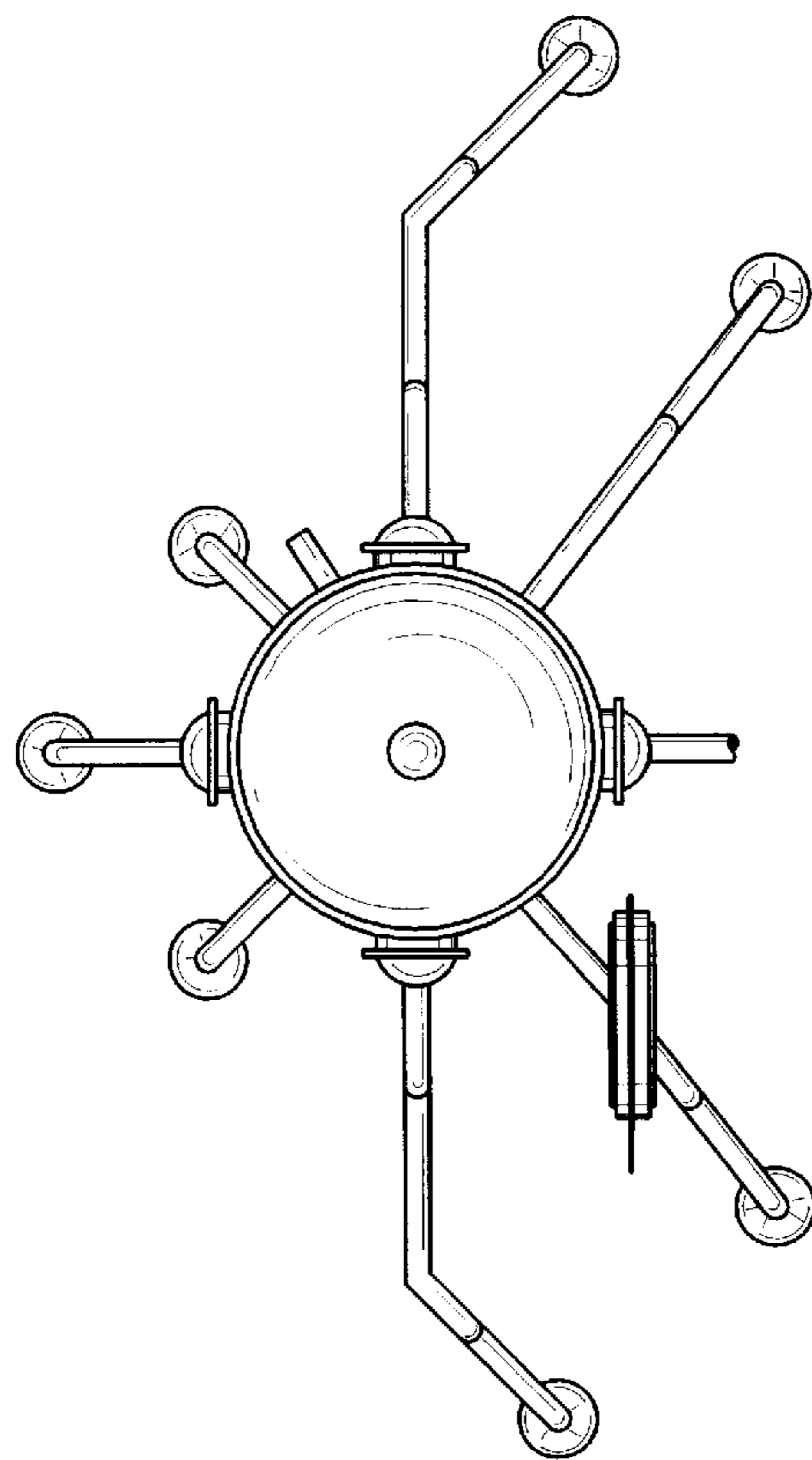


FIG. 6

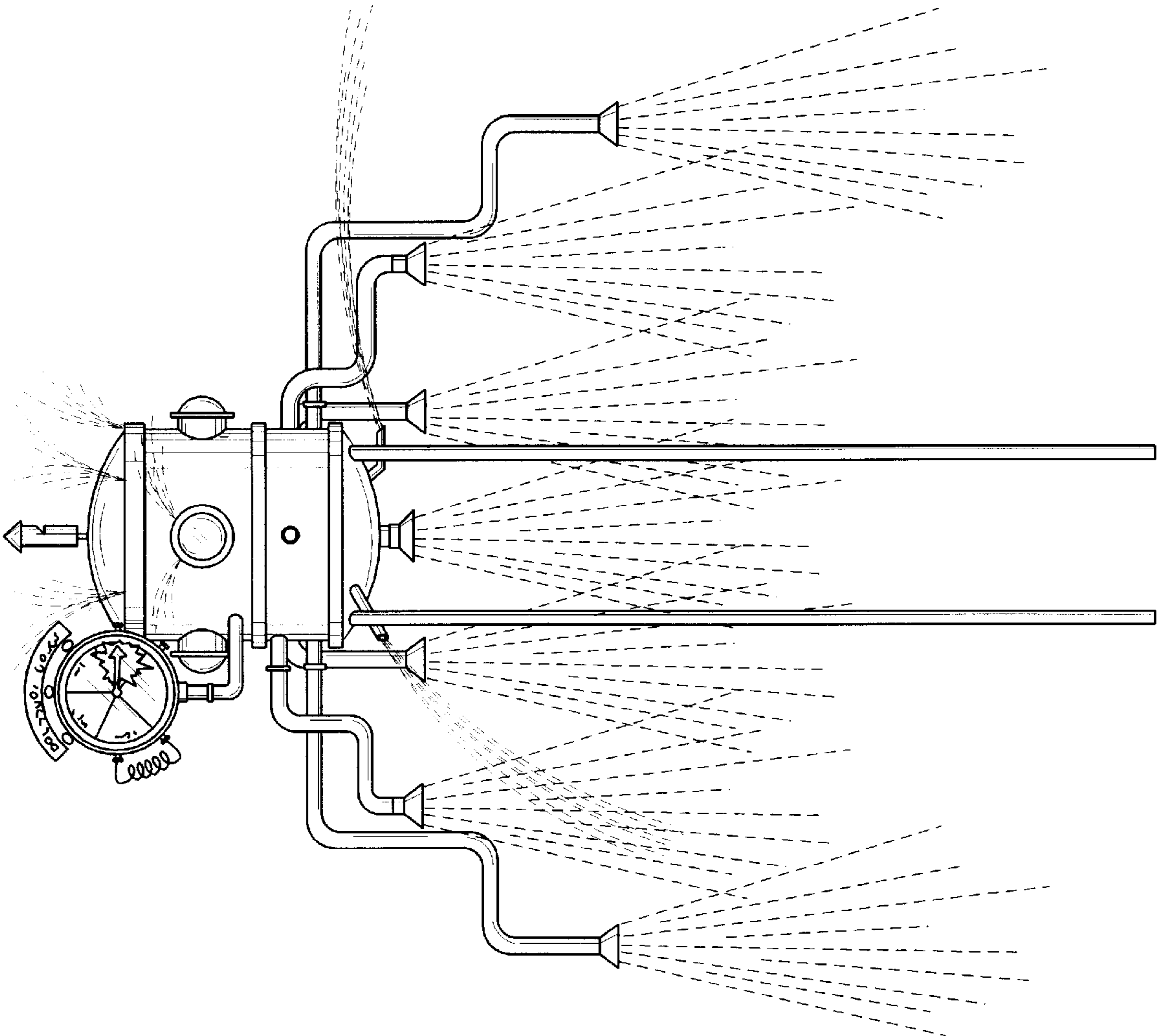


FIG. 8