



US00D406870S

# United States Patent [19] Bauman

[11] **Patent Number: Des. 406,870**

[45] **Date of Patent: \*\*Mar. 16, 1999**

[54] **INFLATABLE LOUNGE**

2,623,574 12/1952 Damsch ..... 441/129  
5,560,056 10/1996 Tai ..... 441/129

[76] Inventor: **Russell H. Bauman**, 21021 Devonshire Blvd., Suite 202, Chatsworth, Calif. 91311

*Primary Examiner*—Kay H. Chin  
*Attorney, Agent, or Firm*—Jack C. Munro

[\*\*] Term: **14 Years**

[57] **CLAIM**

[21] Appl. No.: **84,350**

The ornamental design for an inflatable lounge, as shown and described.

[22] Filed: **Mar. 2, 1998**

### DESCRIPTION

[51] **LOC (6) Cl.** ..... **21-06**

[52] **U.S. Cl.** ..... **D21/803; D21/809**

[58] **Field of Search** ..... D21/801, 803, D21/808, 809; 441/129, 130, 125, 126, 127; 297/111; D6/596

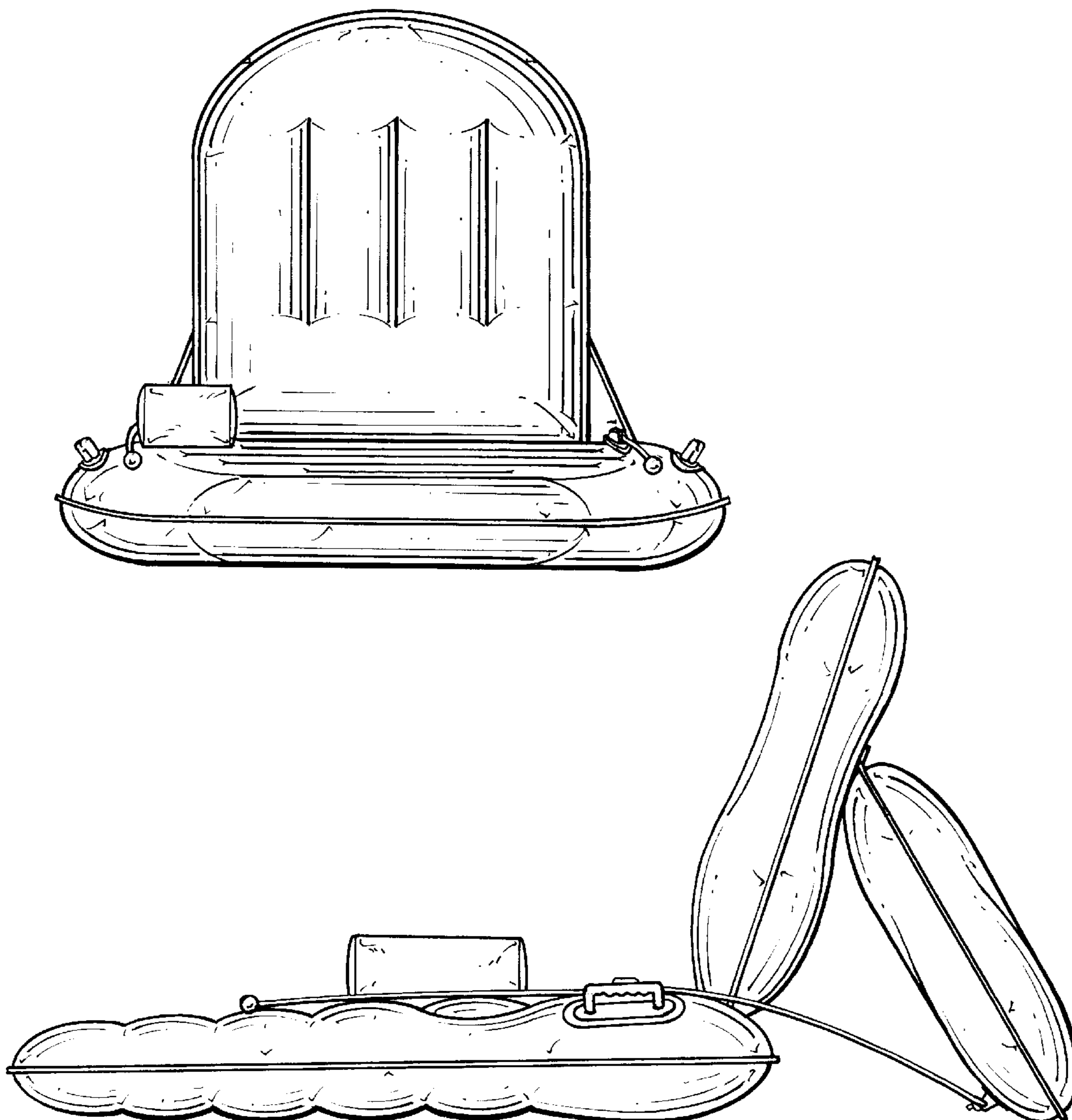
FIG. 1 is a front isometric view of the inflatable lounge in a normal usage position showing my new design; FIG. 2 is a right side elevational view thereof; FIG. 3 is a rear elevational view thereof; FIG. 4 is a left side elevational view thereof; FIG. 5 is a top elevational view thereof; and, FIG. 6 is a bottom elevational view thereof.

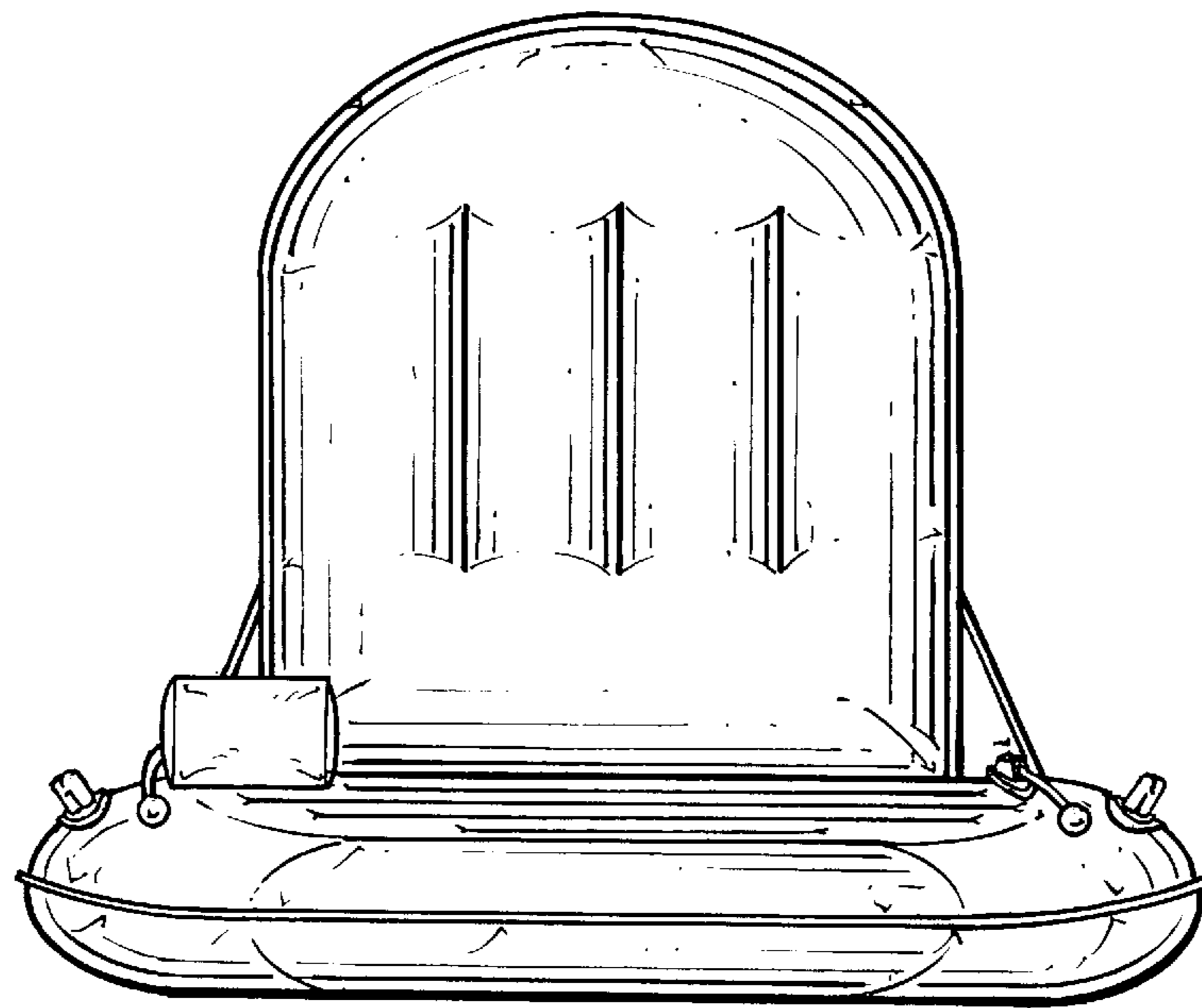
[56] **References Cited**

### U.S. PATENT DOCUMENTS

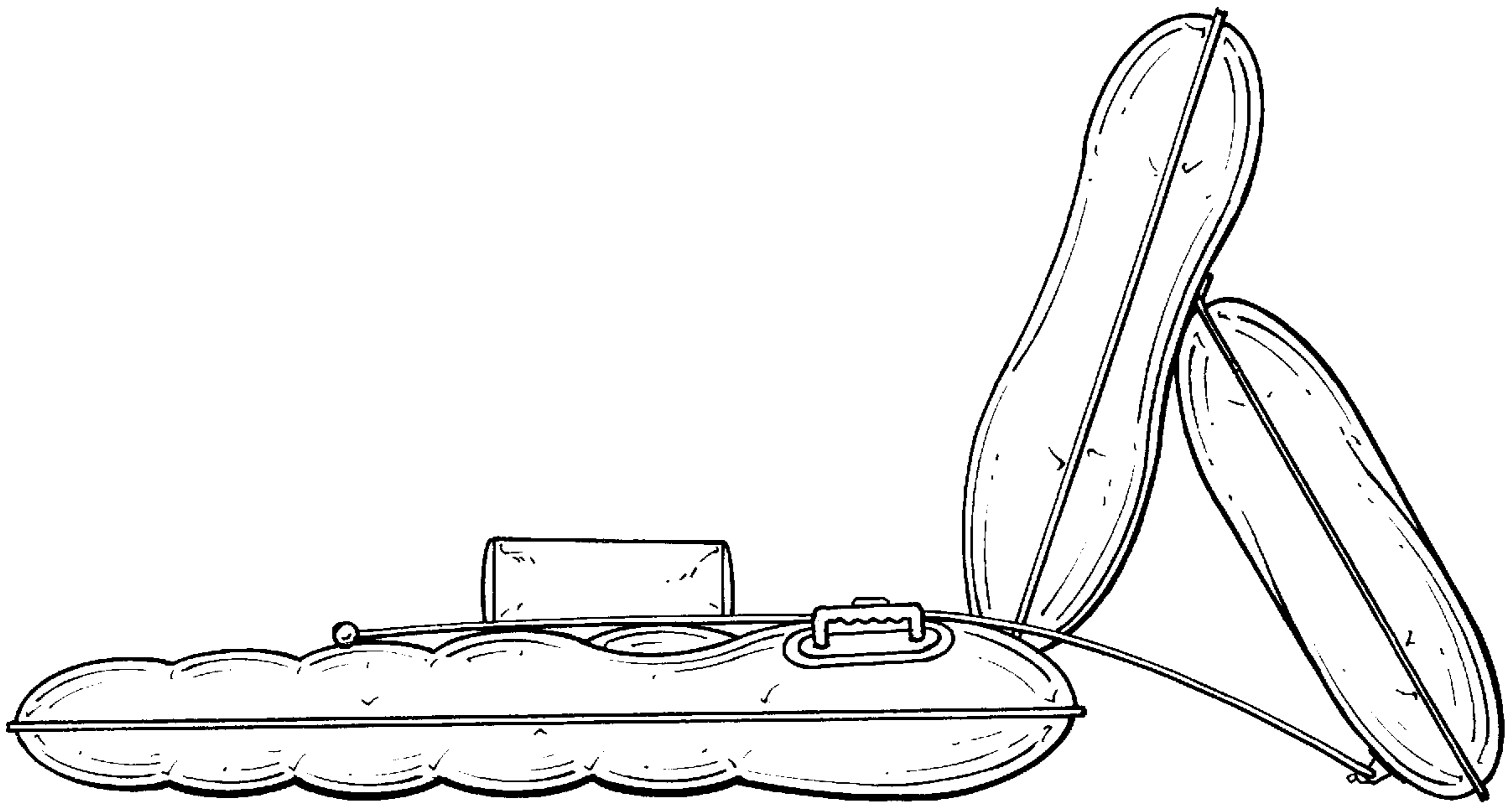
D. 371,252 7/1996 Chaput ..... D6/381

**1 Claim, 3 Drawing Sheets**

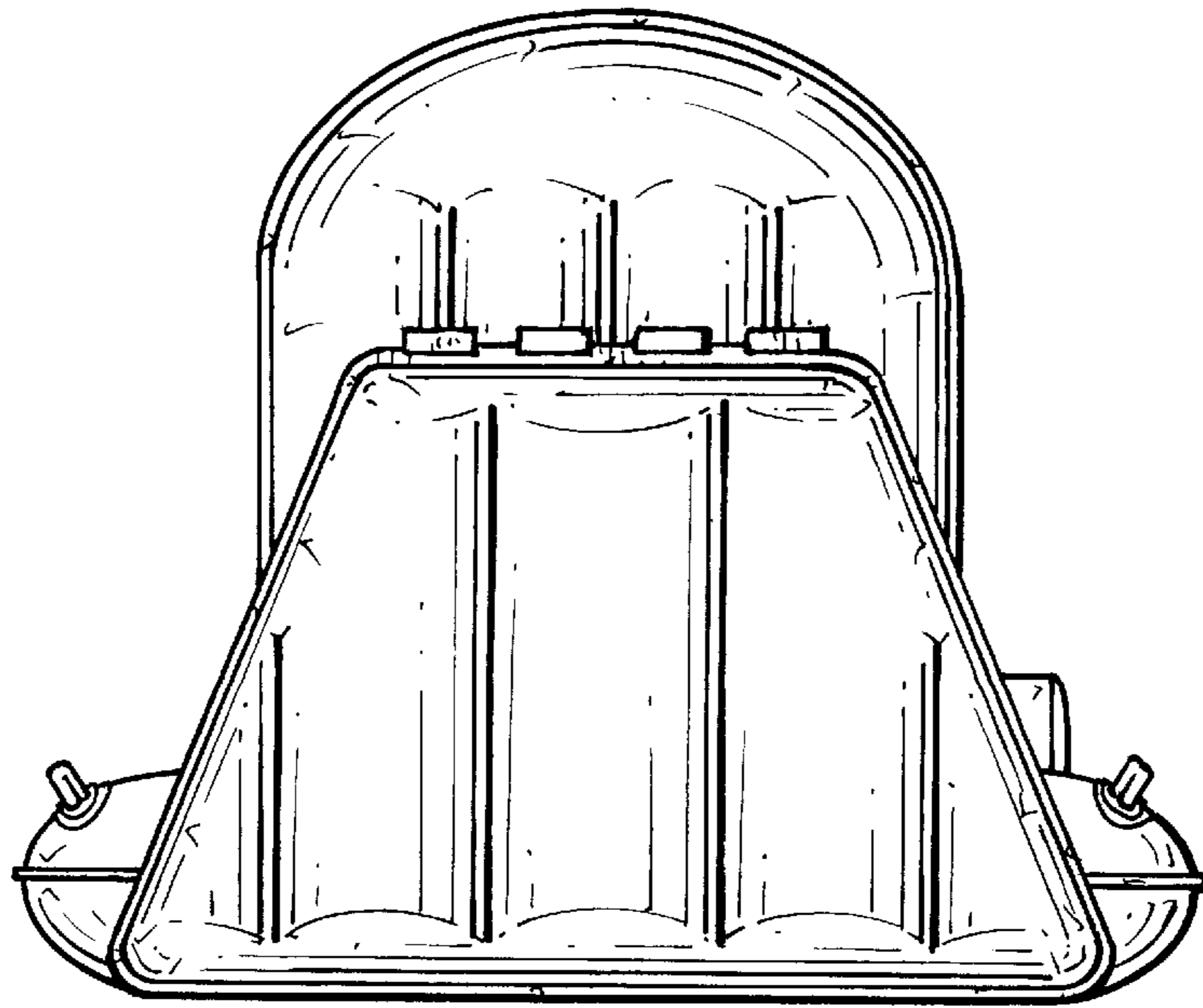




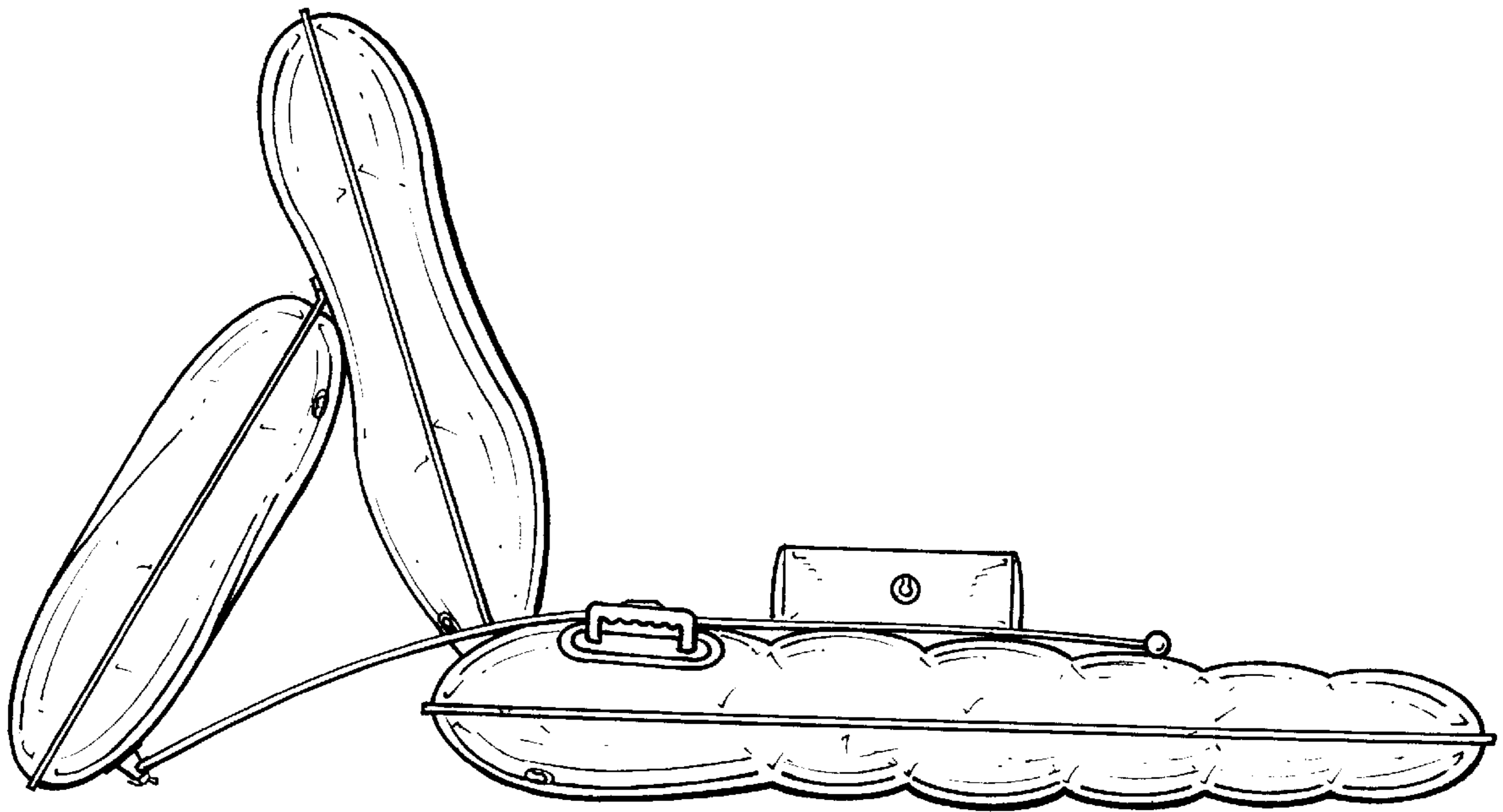
*Fig. 1.*



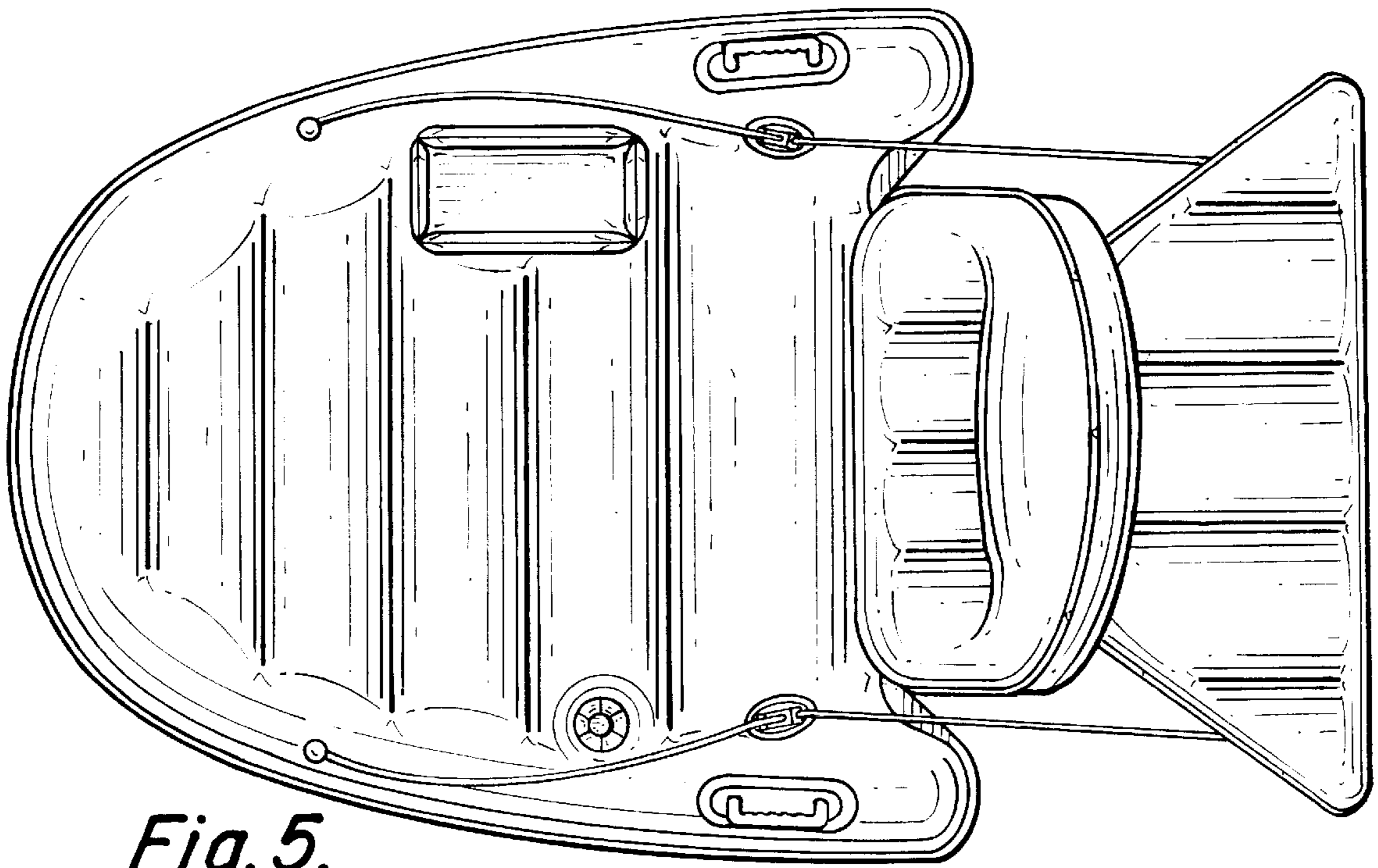
*Fig. 2.*



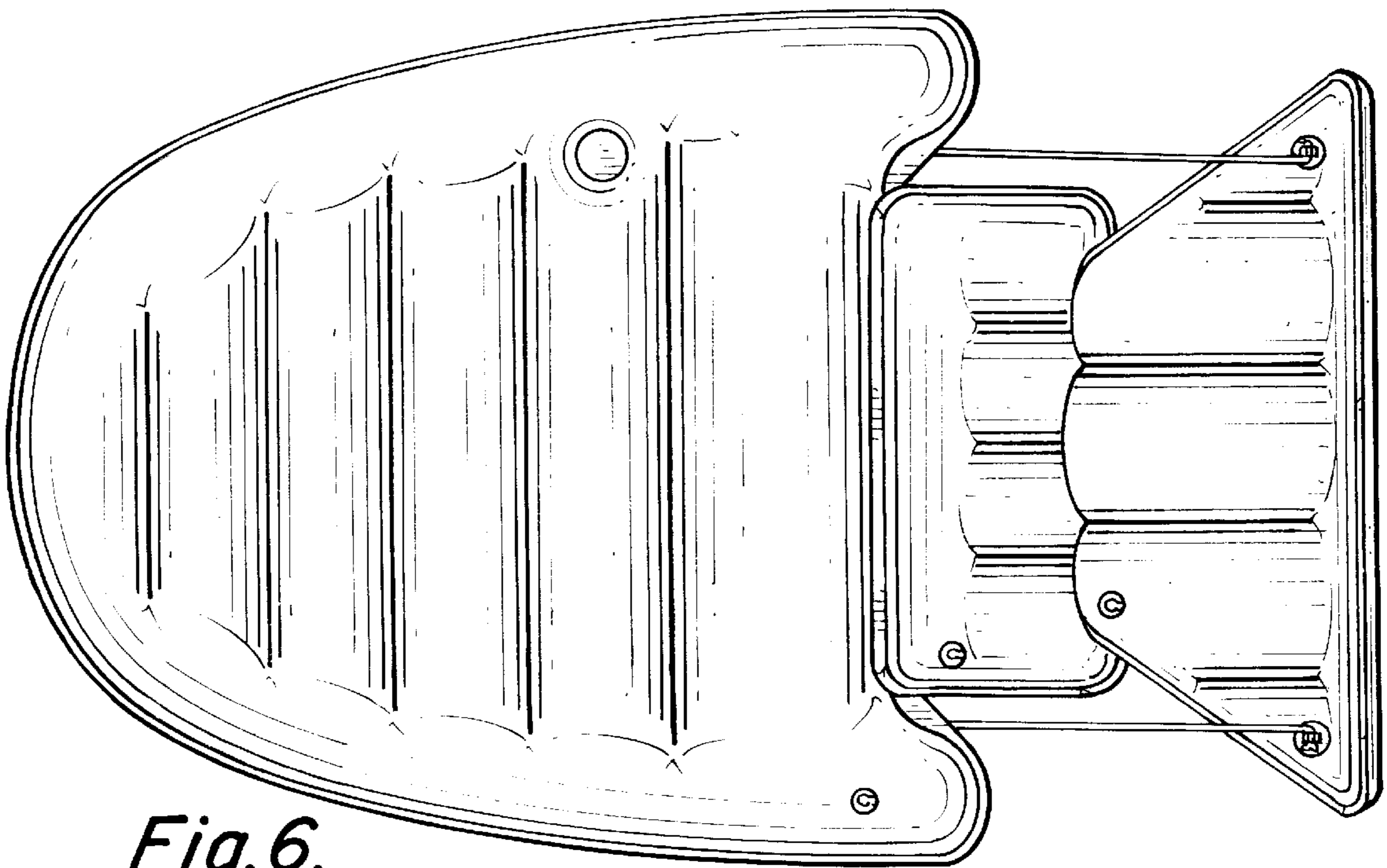
*Fig. 3.*



*Fig. 4.*



*Fig. 5.*



*Fig. 6.*