

US00D406869S

United States Patent [19]

Rollinson et al.

[11] Patent Number: **Des. 406,869**

[45] Date of Patent: ****Mar. 16, 1999**

[54] **BACK SURFACE OF AN IRON-TYPE GOLF CLUB HEAD**

[75] Inventors: **Augustin W. Rollinson; Roger C. Cleveland; Thomas R. Hilton; Kevin L. Napolitano**, all of Carlsbad, Calif.

[73] Assignee: **Callaway Golf Company**, Carlsbad, Calif.

[**] Term: **14 Years**

[21] Appl. No.: **79,761**

[22] Filed: **Nov. 12, 1997**

[51] **LOC (6) Cl.** **21-02**

[52] **U.S. Cl.** **D21/753**

[58] **Field of Search** D21/217, 219, D21/220, 221; 473/350, 324, 327

[56] **References Cited**

U.S. PATENT DOCUMENTS

D. 347,254	5/1994	Inuma .	
D. 353,644	12/1994	Hirsch et al. .	
D. 354,786	1/1995	Manning et al. .	
D. 360,445	7/1995	Schmidt et al.	D21/220
D. 362,041	9/1995	Takahashi et al.	D21/220
D. 366,082	1/1996	Dekura .	
D. 373,161	8/1996	Schmidt et al.	D21/219
D. 383,512	9/1997	Schmidt et al.	D21/219

D. 383,819	9/1997	Takahashi et al.	D21/220
D. 386,550	11/1997	Wright et al.	D21/221
D. 386,551	11/1997	Solheim et al.	D21/221
D. 387,405	12/1997	Solheim et al.	D21/221
5,120,062	6/1992	Scheie et al. .	
5,333,872	8/1994	Manning et al. .	
5,375,840	12/1994	Hirsch et al. .	
5,377,985	1/1995	Ohnishi	473/350
5,423,546	6/1995	Manning et al. .	
5,497,995	3/1996	Swisshelm .	
5,547,194	8/1996	Aizawa et al. .	
5,595,552	1/1997	Wright et al. .	

OTHER PUBLICATIONS

Ben Hogan Precision Club Fitting System Brochure for Medallion Metal Woods.

Primary Examiner—Mitchell I. Siegel
Attorney, Agent, or Firm—Lyon & Lyon LLP

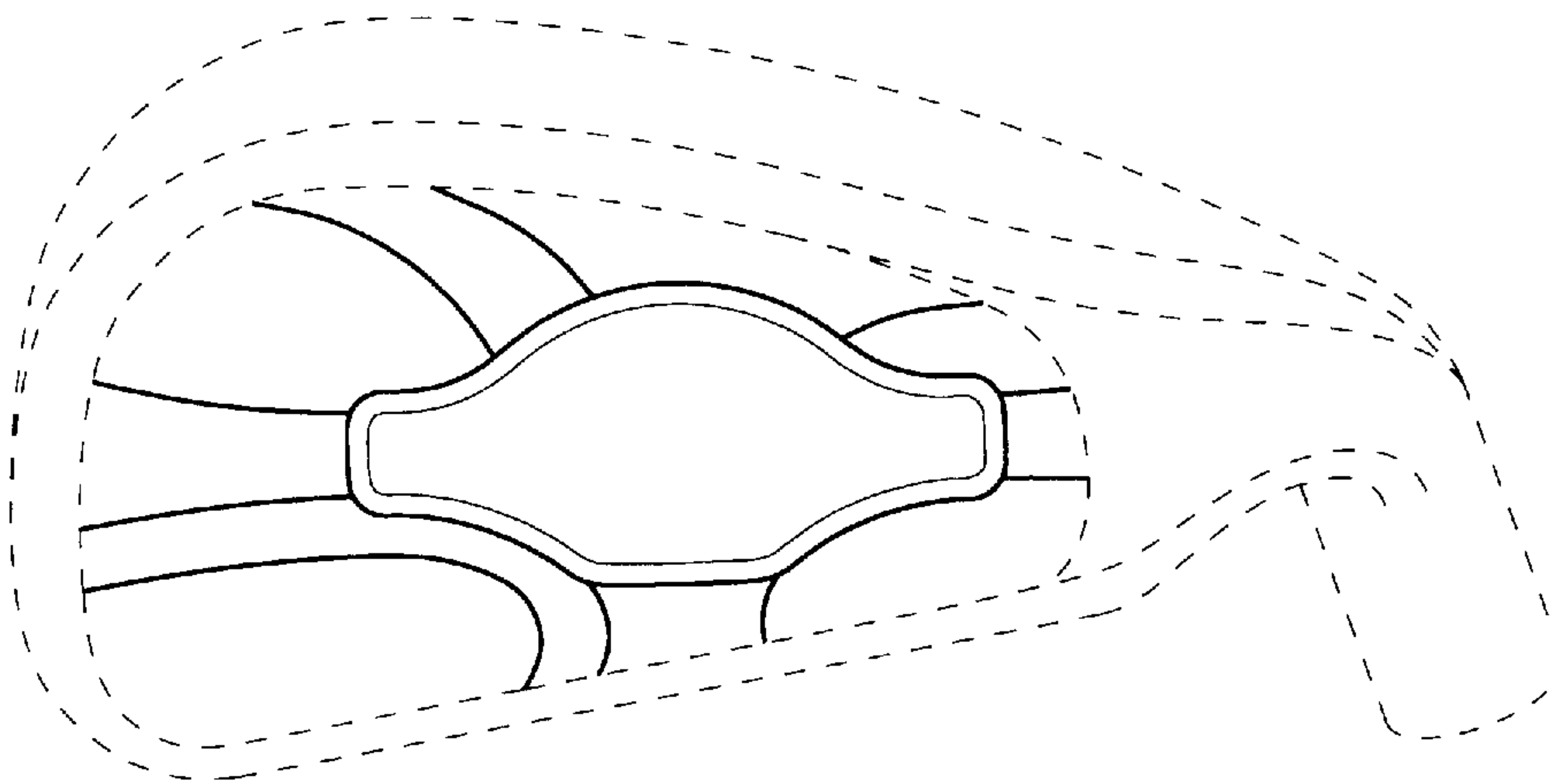
[57] **CLAIM**

The ornamental design for a back surface of an iron-type golf club head, as shown and described.

DESCRIPTION

FIG. 1 is a rear elevational view of a back surface of an iron-type golf club head of the present invention, the broken lines are for illustrative purposes only and form no part of the claimed design.

1 Claim, 1 Drawing Sheet



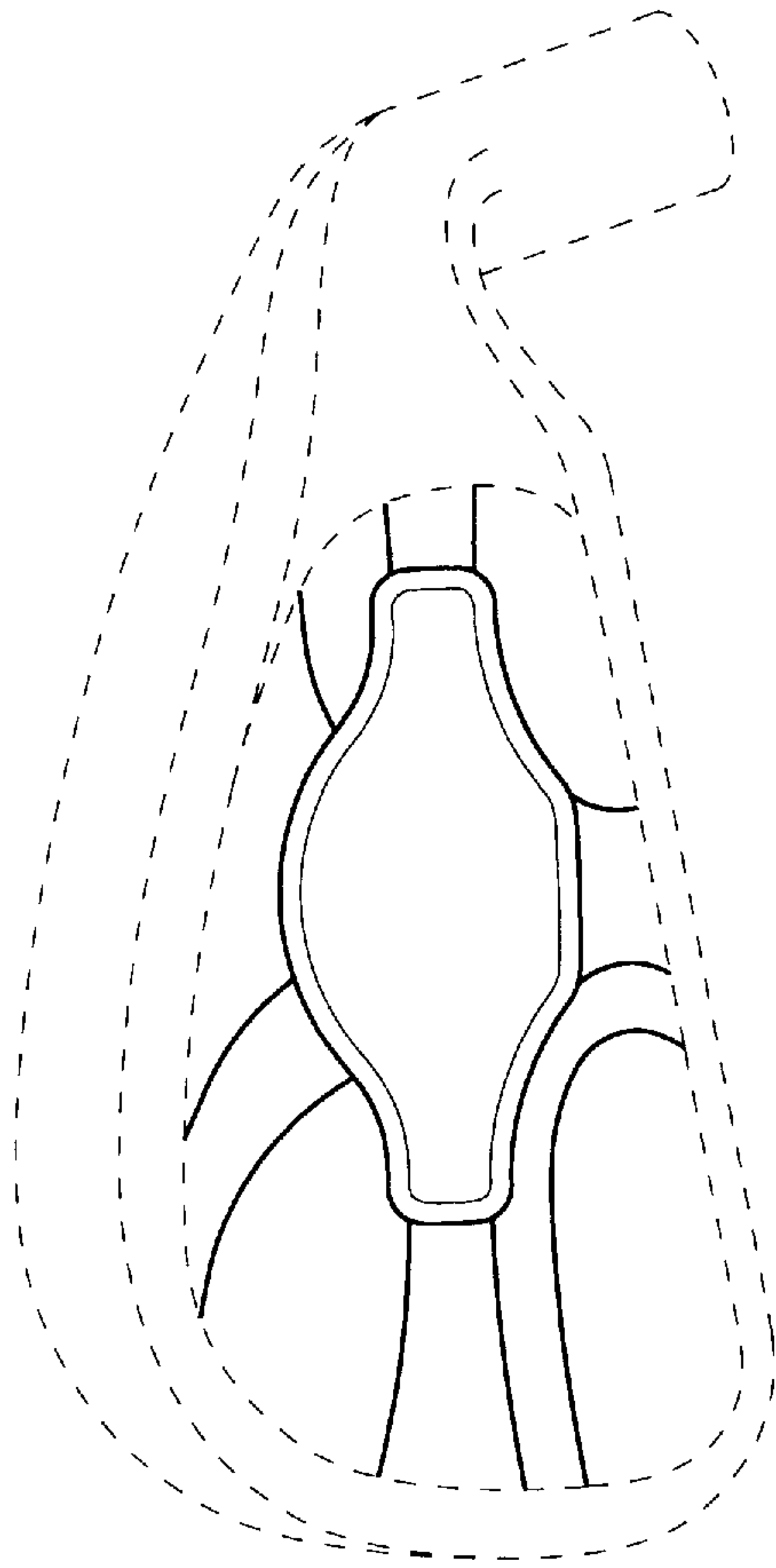


FIG. 1