

US00D406867S

# United States Patent [19]

Wise et al.

[11] **Patent Number: Des. 406,867**

[45] **Date of Patent: \*\*Mar. 16, 1999**

[54] **TOY TELEPHONE**

[75] Inventors: **Robert D. Wise; Dorothea A. Wise,**  
both of Akron, Ohio

[73] Assignees: **Rubbermaid Incorporated,** Wooster,  
Ohio; **Amway Corporation,** Ada,  
Mich.

[\*\*] Term: **14 Years**

[21] Appl. No.: **89,197**

[22] Filed: **Jun. 9, 1998**

[51] **LOC (6) Cl. .... 21-01**

[52] **U.S. Cl. .... D21/517; D14/151**

[58] **Field of Search .... D21/513, 516,**  
D21/517; D14/150, 151; 446/141, 142,  
143, 408, 397

## [56] **References Cited**

### U.S. PATENT DOCUMENTS

D. 221,878	9/1971	Thornell	.....	D34/15
D. 281,243	11/1985	Reichenstein	.....	D14/53
D. 286,401	10/1986	Asaki	.....	D14/53
D. 303,665	9/1989	Ohta et al.	.....	D14/151
D. 315,377	3/1991	Tharp et al.	.....	D21/517
D. 318,306	7/1991	Cheung	.....	D21/111
D. 339,133	9/1993	Roegner	.....	D14/151
D. 370,674	6/1996	Zeitman	.....	D14/151
D. 374,008	9/1996	Zeitman	.....	D14/151
5,184,971	2/1993	Williams	.....	446/143
5,679,049	10/1997	Arad	.....	446/142

### FOREIGN PATENT DOCUMENTS

699977	11/1986	Japan .
835873	7/1988	Japan .
859331	10/1992	Japan .
920321	12/1994	Japan .

### OTHER PUBLICATIONS

P. 22, Toy telephone; International Playthings, Inc., 120 Riverdale Road, Riverdale, New Jersey 07457. Publication date 1991.

P. 26, Toy telephone; Fisher-Price, 620 Girard Avenue, East Aurora, New York 14052-1879. Publication date 1992.

P. 398-399, Toy telephone; Sears, Roebuck & Co., 3333 Beverly Road, Hoffman Estates, Illinois 60179. Publication date 1991.

P. 29, Toy telephone; Mattel, Inc., 333 Continental Boulevard, El Segundo, California 90245. Publication date 1991. Pp. 17 and 22, Toy telephone; Hasbro, Inc., 1027 Newport Avenue, P.O. Box 1059, Pawtucket, Rhode Island 02862. Publication date 1995.

P. 10, Toy telephone; Playskool/A Division of Hasbro, Inc., 1027 Newport Avenue, P. O. Box 1059, Pawtucket, Rhode Island 02862. Publication date 1995.

P. 1, Toy telephone; Play-Tech, Inc., 139 Harristown Road, Glen Rock, New Jersey 07452. Publication date 1996.

P. 29, Toy telephone; The Little Tikes Company, 2180 Barlow Road, Hudson, Ohio 44236. Publication date 1987.

P. 41, Toy telephone; The Little Tikes Company, 2180 Barlow Road, Hudson, Ohio 44236. Publication date 1993. Catalog page, Toy telephone; The Little Tikes Company, 2180 Barlow Road, Hudson, Ohio 44236. Publication date 1997.

*Primary Examiner*—Raphael Barkai  
*Attorney, Agent, or Firm*—Richard B. O’Planick; Timothy A. Nathan

## [57] **CLAIM**

The ornamental design for a toy telephone, as shown and described.

## **DESCRIPTION**

FIG. 1 is a top left front perspective view of a toy telephone showing our new design; the broken lines showing of a telephone handset and buttons are for illustrative purposes only and form no part of the claimed design;

FIG. 2 is a top plan view thereof;

FIG. 3 is a left side elevational view thereof;

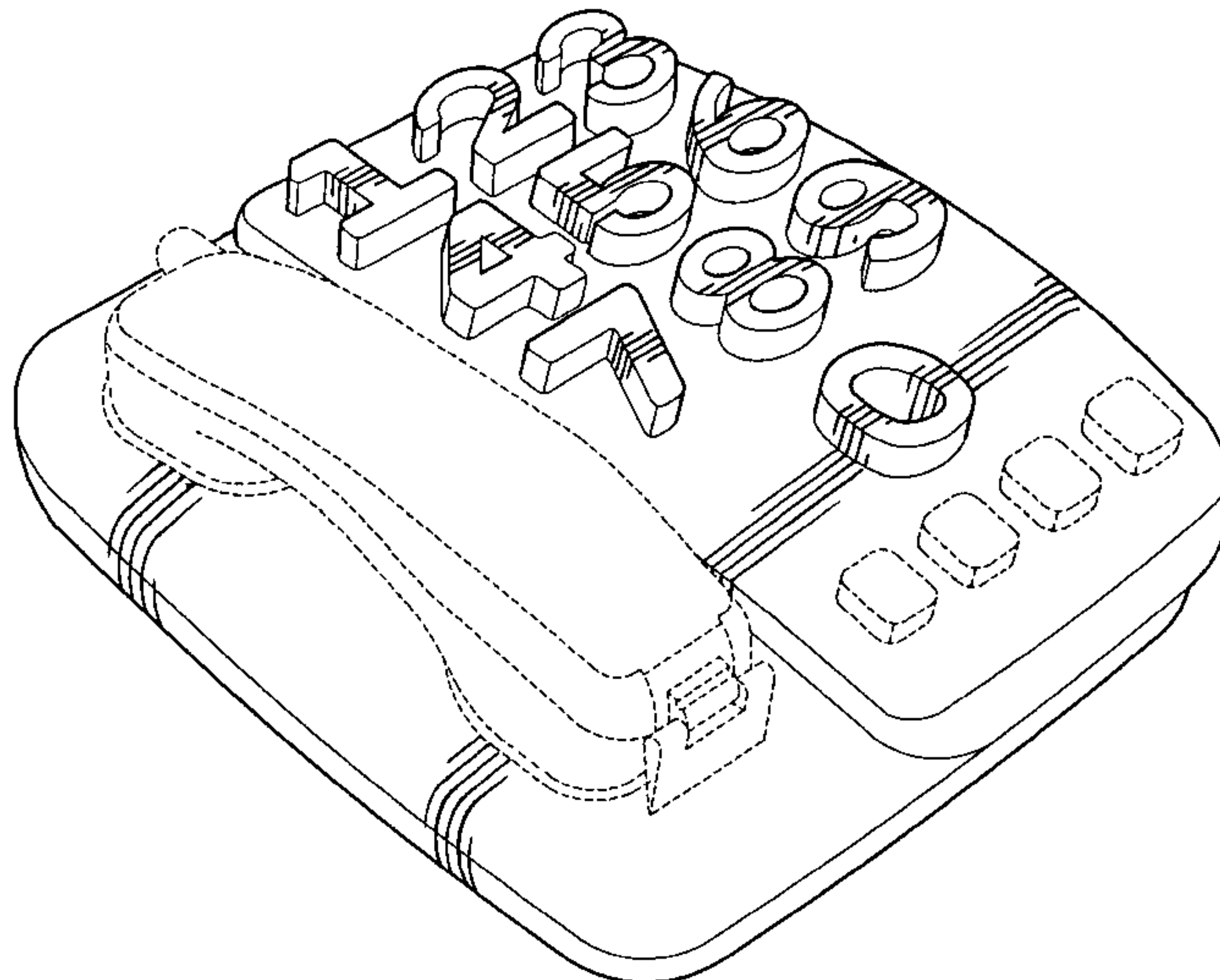
FIG. 4 is a front elevational view thereof;

FIG. 5 is a rear elevational view thereof;

FIG. 6 is a right side elevational view thereof; and,

FIG. 7 is a bottom plan view thereof.

**1 Claim, 3 Drawing Sheets**



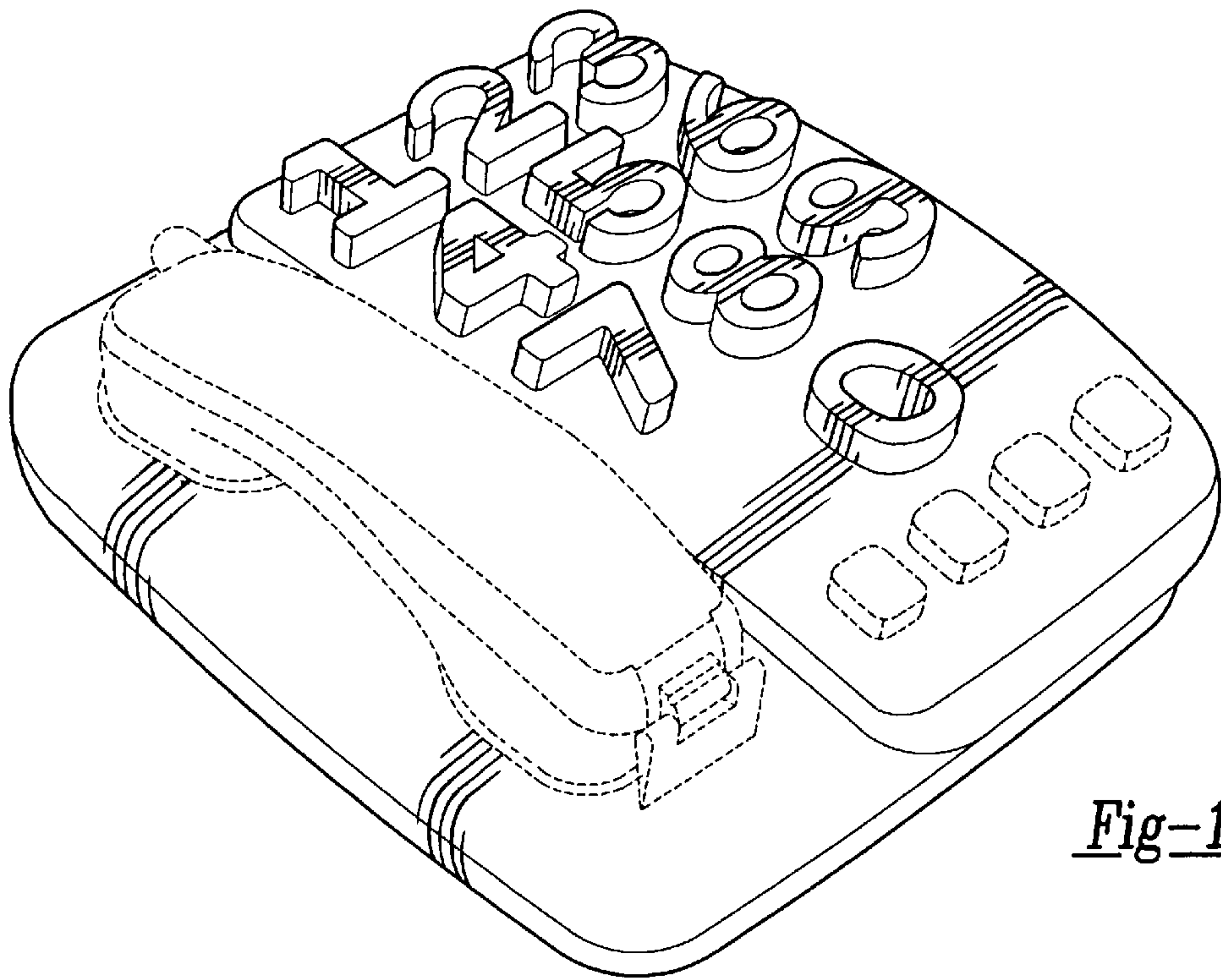


Fig-1

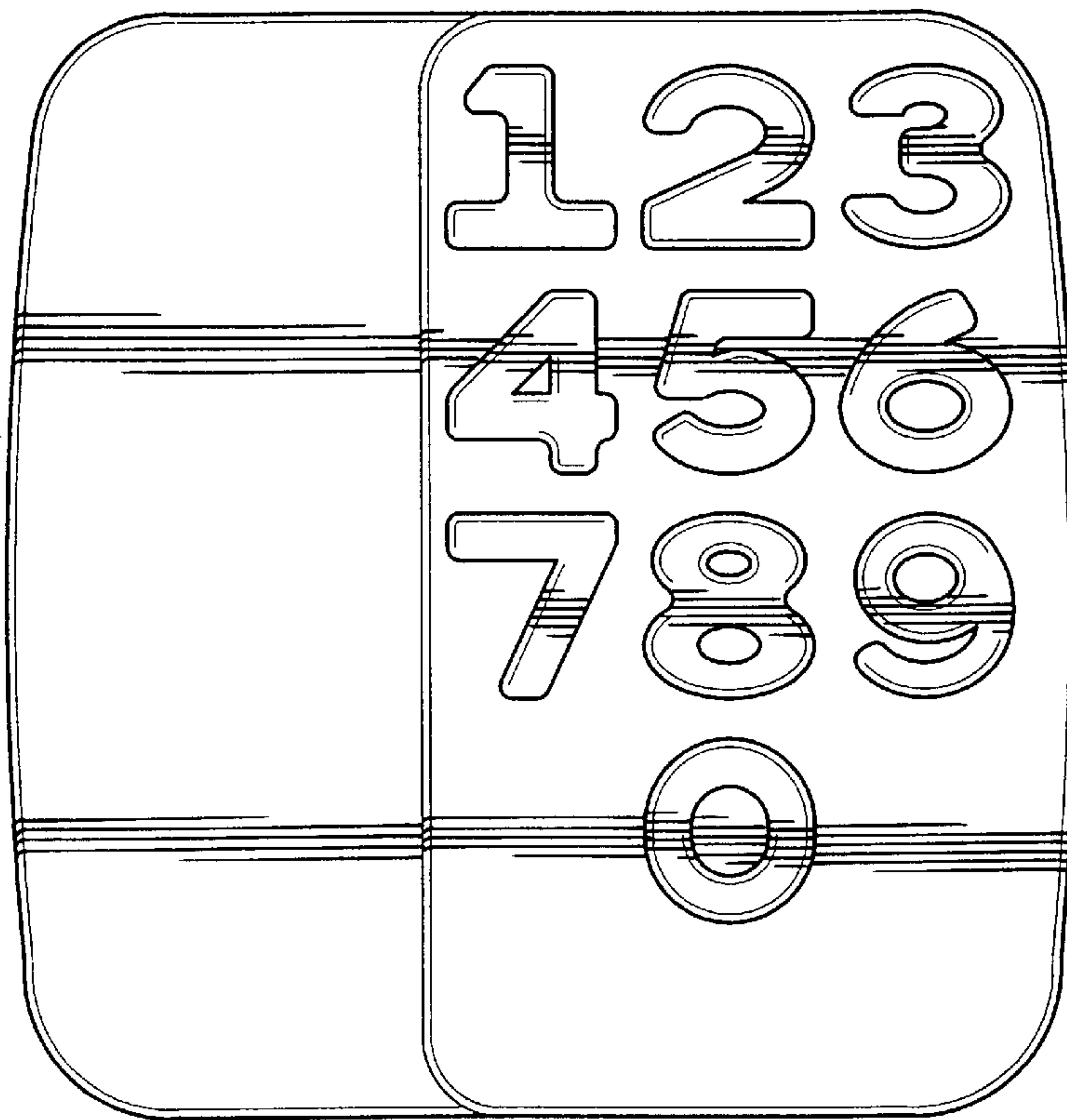


Fig-2

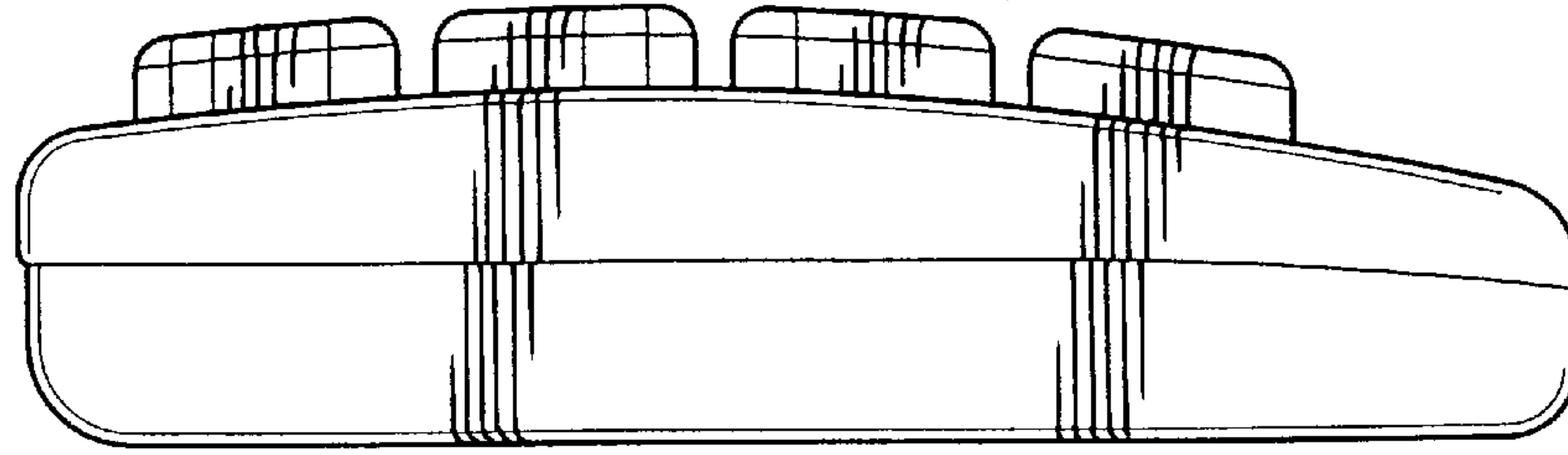


Fig-3

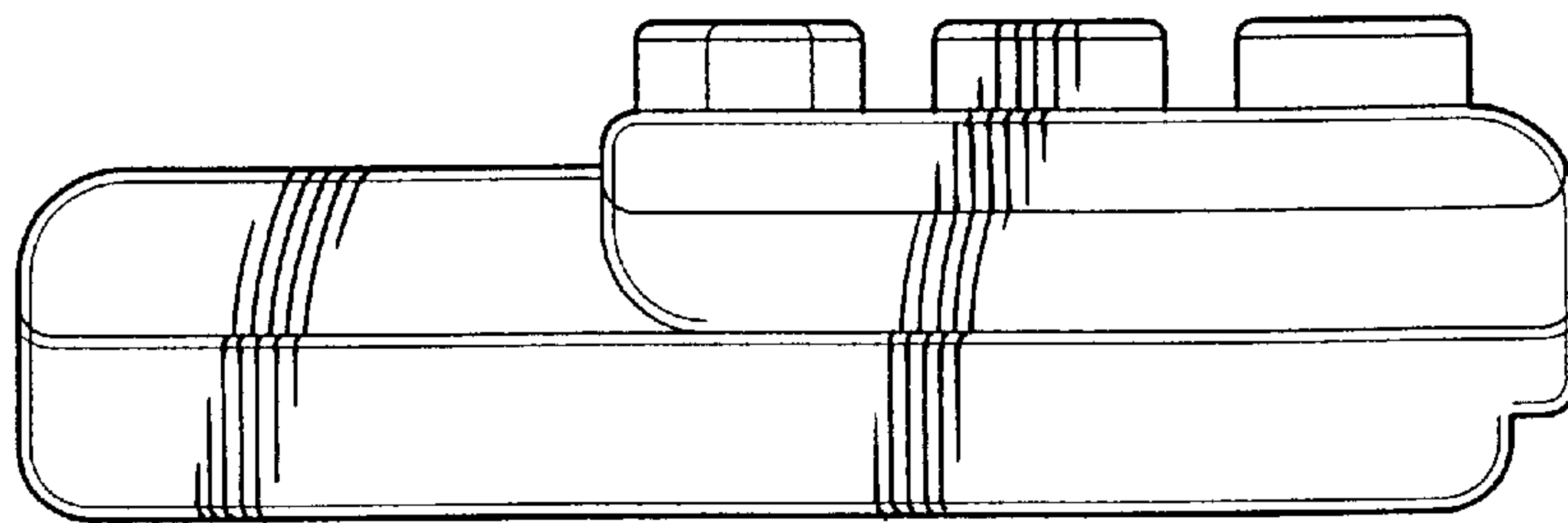


Fig-4

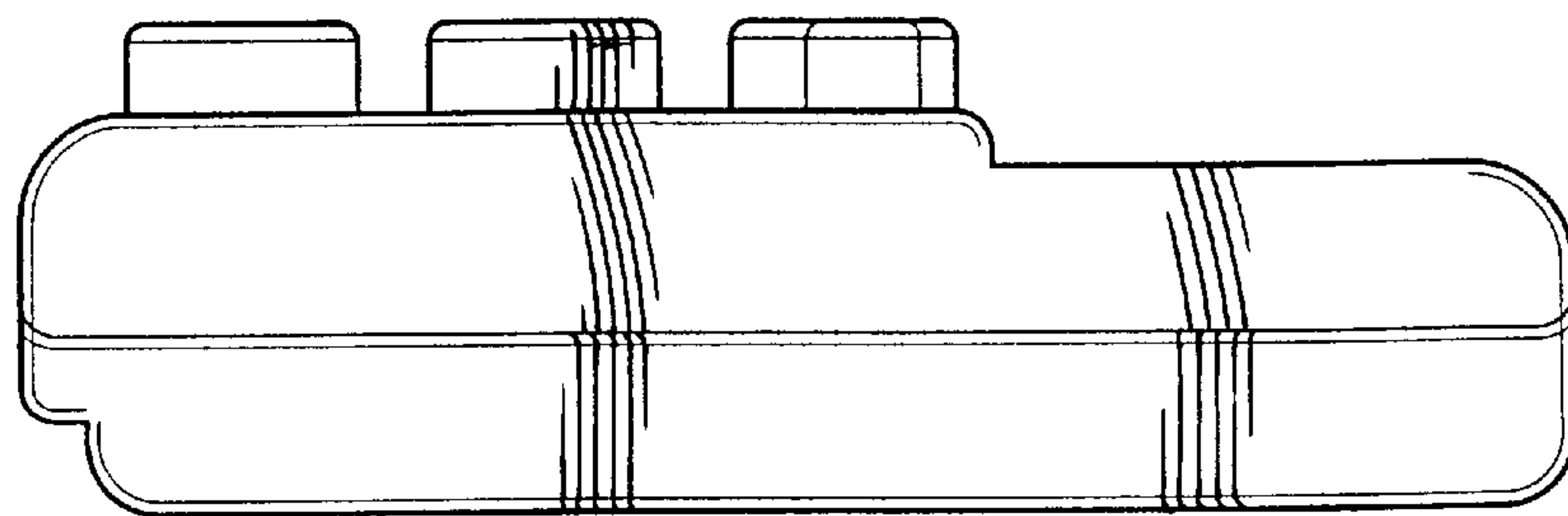


Fig-5

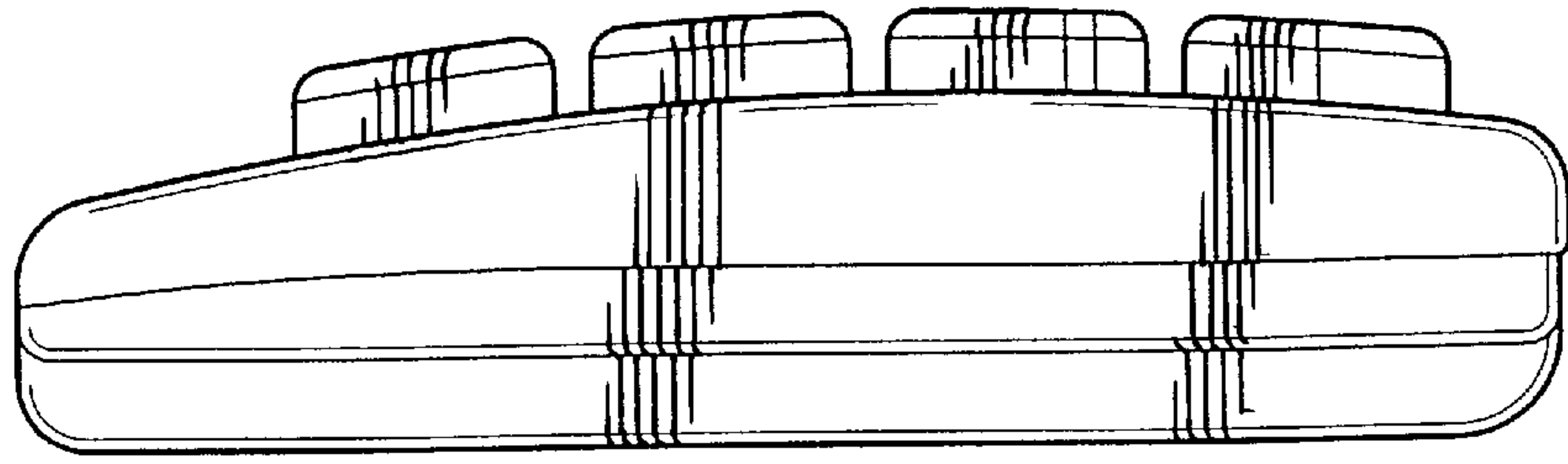


Fig-6

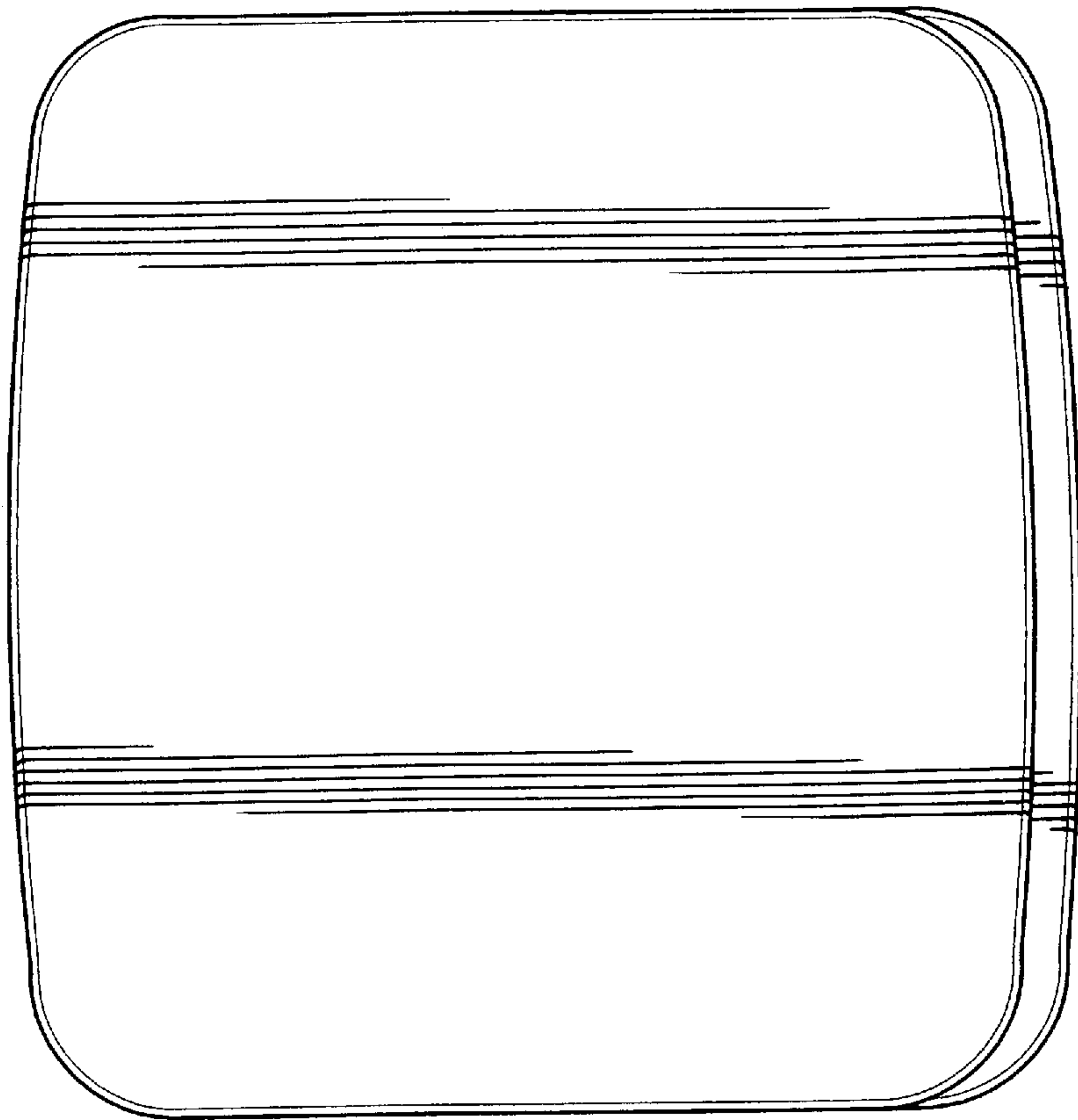


Fig-7