



US00D406865S

United States Patent [19] Heidel

[11] Patent Number: **Des. 406,865**

[45] Date of Patent: ****Mar. 16, 1999**

[54] **BELL RINGER FOR A GAMING MACHINE**

[75] Inventor: **Raymond J. Heidel**, Henderson, Nev.

[73] Assignee: **Bally Gaming, Inc.**, Las Vegas, Nev.

[**] Term: **14 Years**

[21] Appl. No.: **89,739**

[22] Filed: **Jun. 22, 1998**

[51] **LOC (6) Cl.** **21-02**

[52] **U.S. Cl.** **D21/385; D21/370**

[58] **Field of Search** **D21/370-385;**
273/148 R, 148 B, 459, 138 A; 463/30-36,
40-47

[56] **References Cited**

U.S. PATENT DOCUMENTS

226,438	4/1880	Arnett .	
303,016	8/1884	Iske et al. .	
D. 383,802	9/1997	Levy	D21/385
482,623	9/1892	Dooling .	
816,957	4/1906	Blaisdell .	
2,821,398	1/1958	Armstrong	237/127
3,017,181	1/1962	Sanders	272/76
3,162,440	12/1964	Argiro	272/76
4,695,053	9/1987	Vazquez, Jr. et al.	273/143 R

5,085,436	2/1992	Bennett	273/143 R
5,100,137	3/1992	Fulton	273/85 CP
5,154,421	10/1992	Hamano	273/143 R
5,167,413	12/1992	Fulton	273/85 CP
5,259,616	11/1993	Bergmann	273/138 A
5,397,125	3/1995	Adams	273/138 A
5,560,603	10/1996	Seelig et al.	463/6

Primary Examiner—Marcus A. Jackson
Attorney, Agent, or Firm—Fulwider Patton Lee & Utecht, LLP

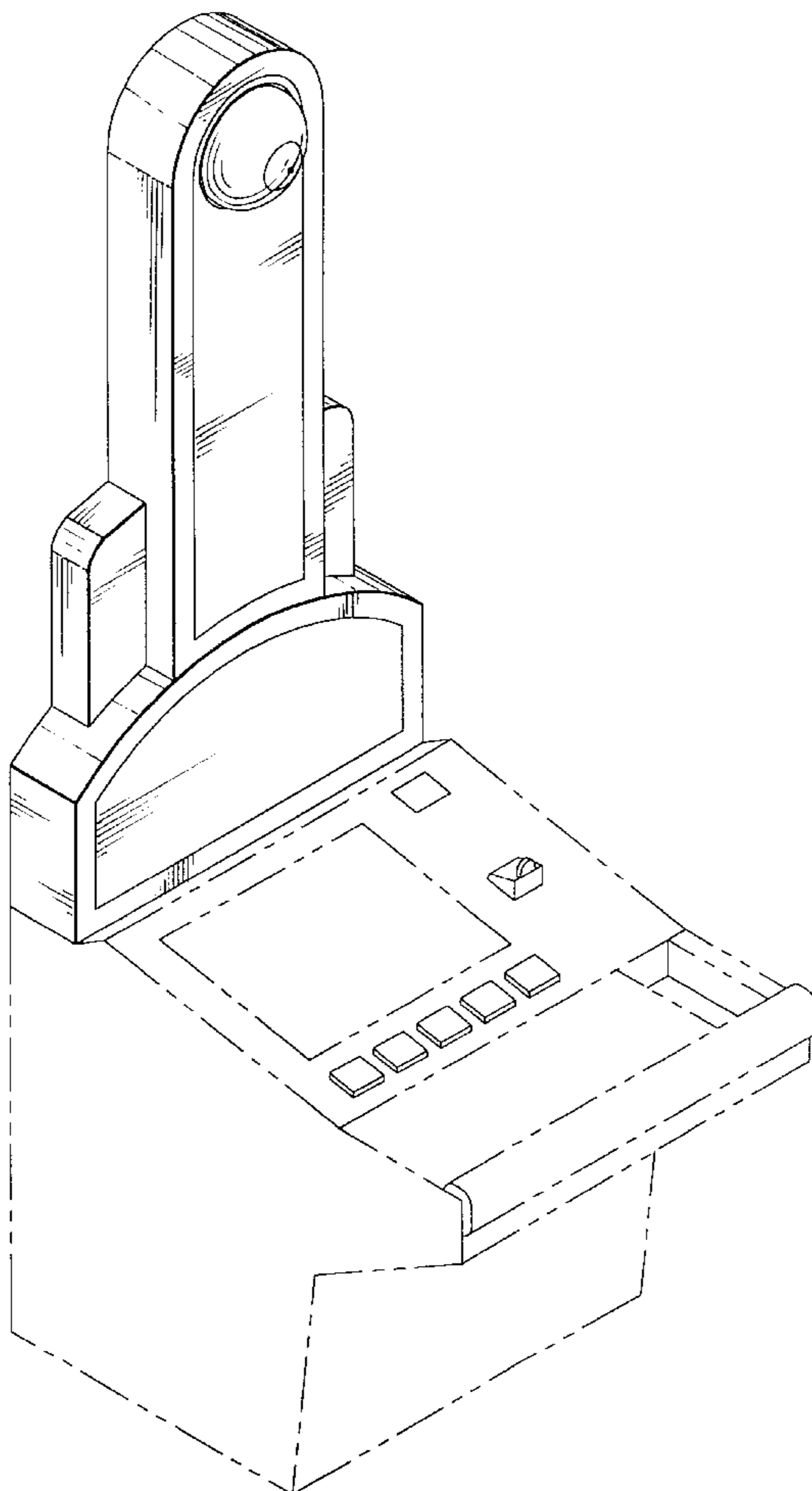
[57] **CLAIM**

The ornamental design for a bell ringer for a gaming machine, as shown and described.

DESCRIPTION

FIG. 1 is a perspective view of a bell ringer for a gaming machine showing my new design in a gaming machine; FIG. 2 is a perspective view of the bell ringer for a gaming machine showing my new design; FIG. 3 is a front elevational view thereof; FIG. 4 is a side elevational view thereof; and, FIG. 5 is a top plan view thereof. The broken line drawing of the gaming machine in FIG. 1 is shown for illustrative purposes only and forms no part of the claimed design.

1 Claim, 3 Drawing Sheets



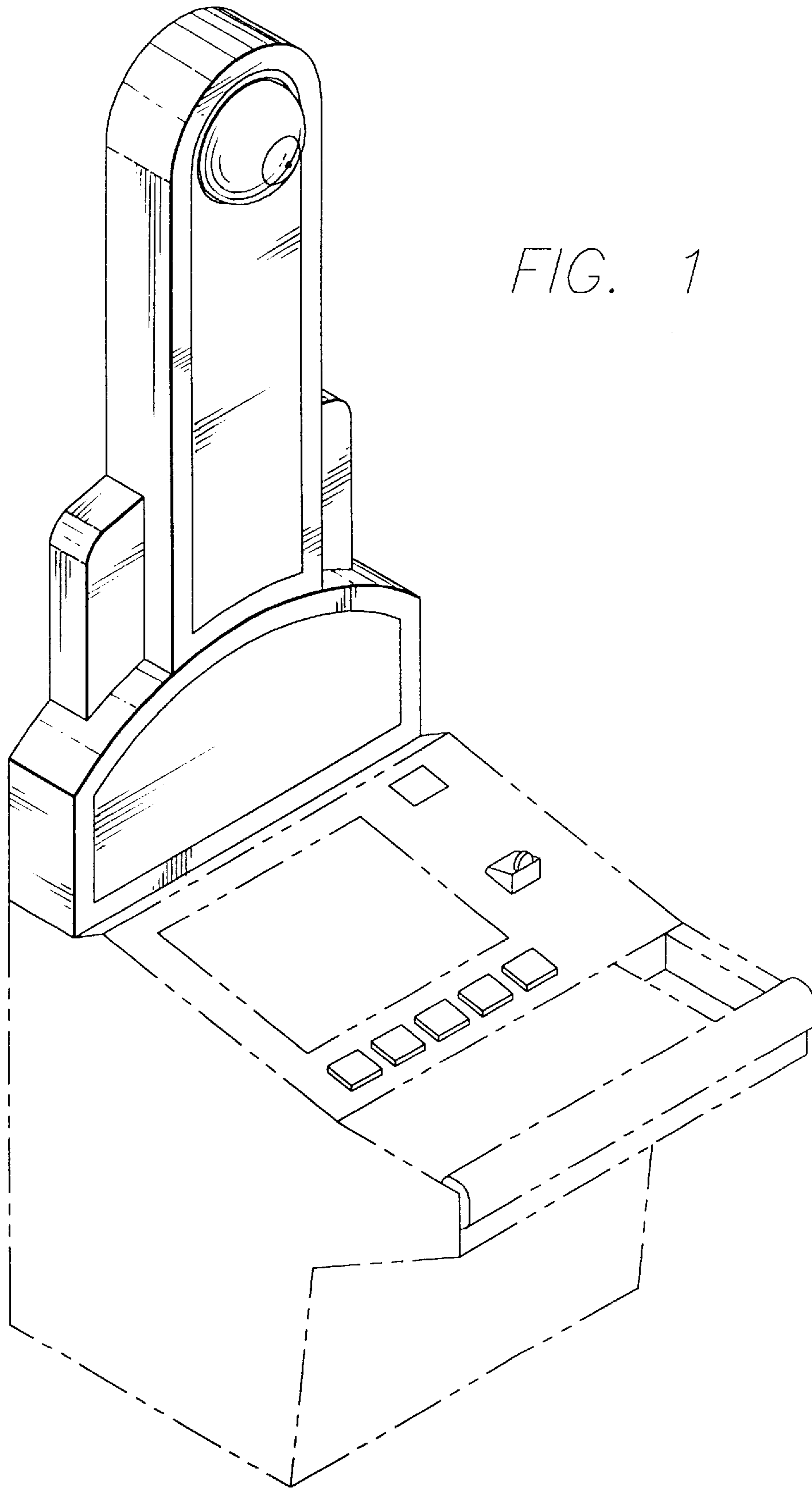
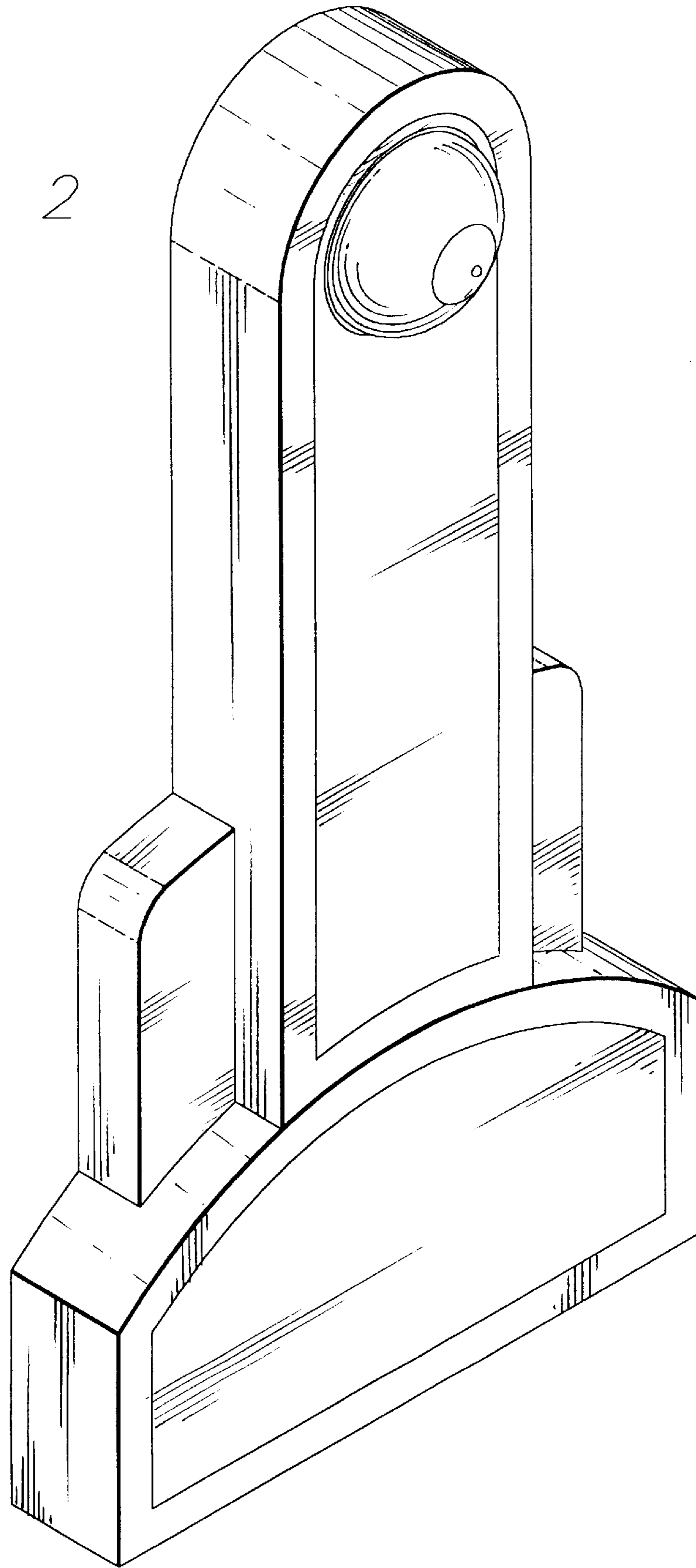


FIG. 1

FIG. 2



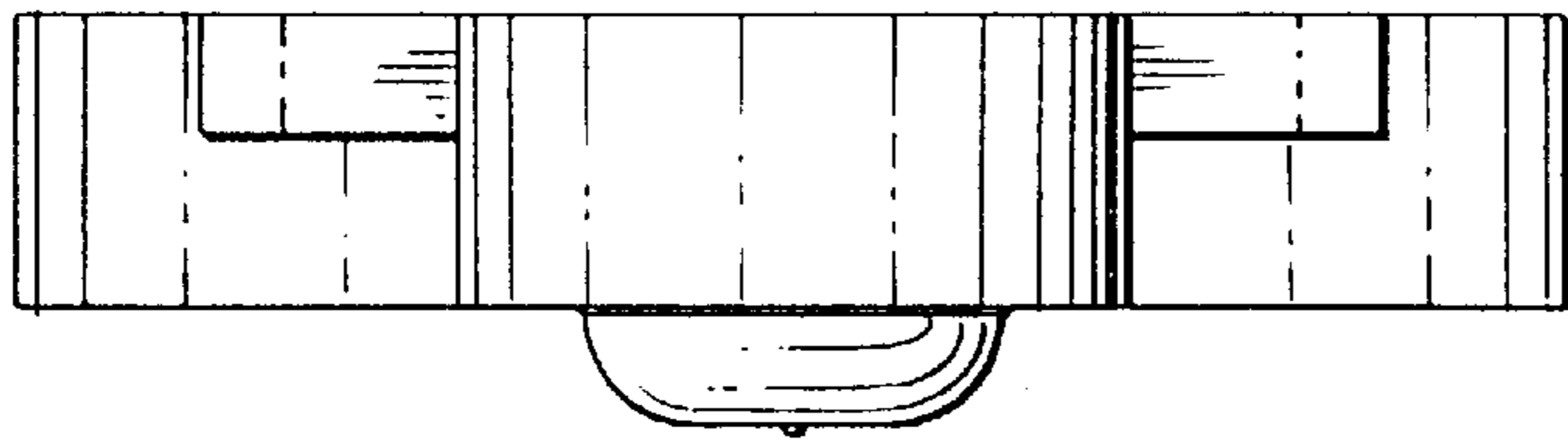


FIG. 5

FIG. 4

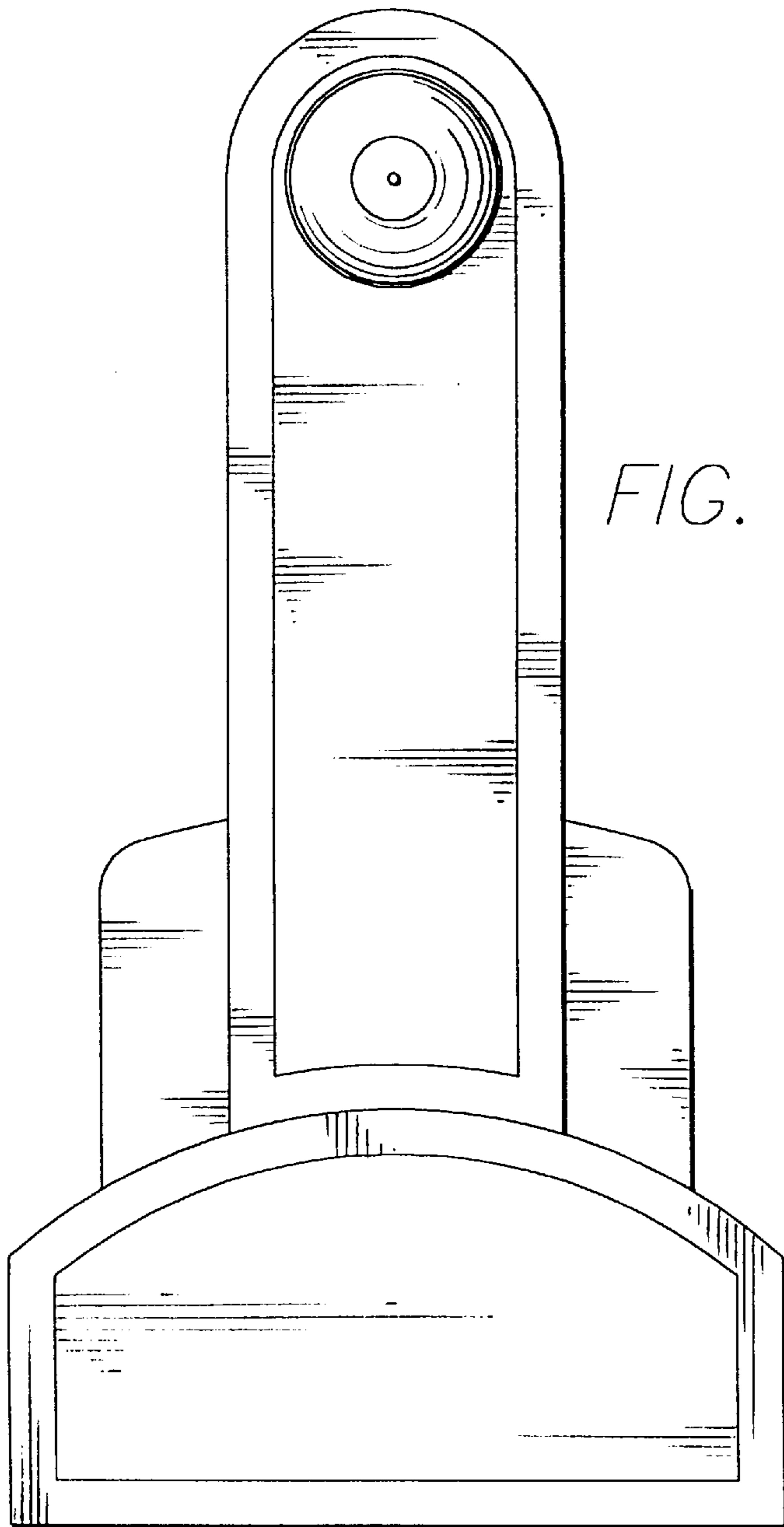


FIG. 3

