



US00D406864S

United States Patent [19]

[11] **Patent Number: Des. 406,864**

Pagel

[45] **Date of Patent: **Mar. 16, 1999**

[54] **TOY BUILDING ELEMENT**

OTHER PUBLICATIONS

[76] Inventor: **Kim Pagel**, Tingstedet 27, DK-7190 Billund, Denmark

Triangular Element at Lower Left of Page Lego Catalog, Aug. 1990.

[**] Term: **14 Years**

Primary Examiner—Raphael Barkai

[21] Appl. No.: **76,694**

[57] **CLAIM**

[22] Filed: **Sep. 18, 1997**

The ornamental design for a toy building element, as shown and described.

[51] **LOC (6) Cl.** **21-01**

DESCRIPTION

[52] **U.S. Cl.** **D21/108**

[58] **Field of Search** D21/108, 59, 109, D21/124, 125, 141, 114; 446/103, 110, 115, 120, 124, 125, 126, 128

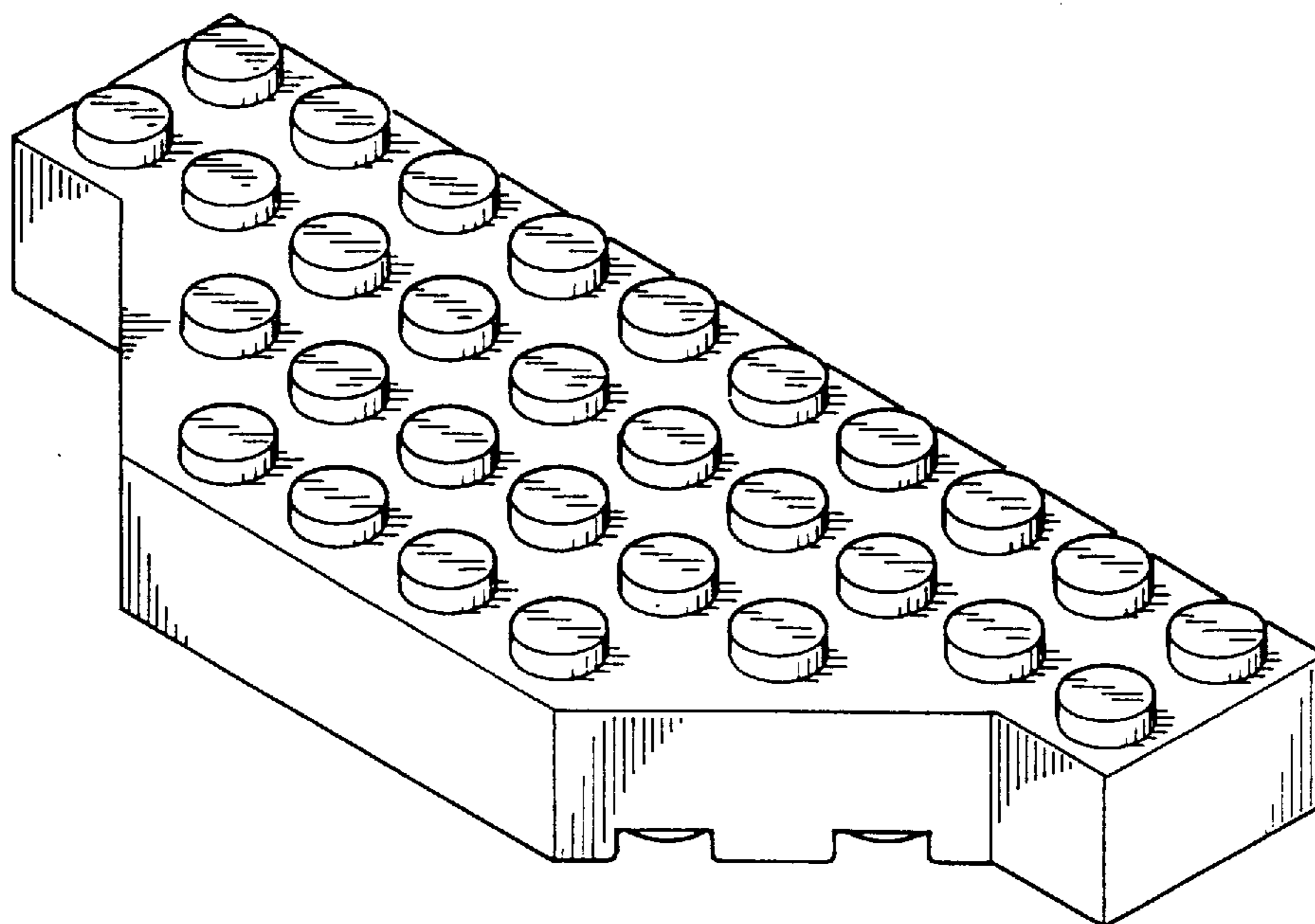
FIG. 1 is a top perspective view of the toy building element; FIG. 2 is a bottom perspective view thereof; FIG. 3 is a front elevational view thereof; FIG. 4 is a right side elevational view thereof; FIG. 5 is a left side elevational view thereof; FIG. 6 is a rear elevational view thereof; FIG. 7 is a bottom plan view thereof, and, FIG. 8 is a top plan view thereof.

[56] **References Cited**

U.S. PATENT DOCUMENTS

D. 350,791	9/1994	Refsing	D21/108
D. 380,020	6/1997	Nielsen	D21/108
D. 380,792	7/1997	Gabriel	D21/108

1 Claim, 2 Drawing Sheets



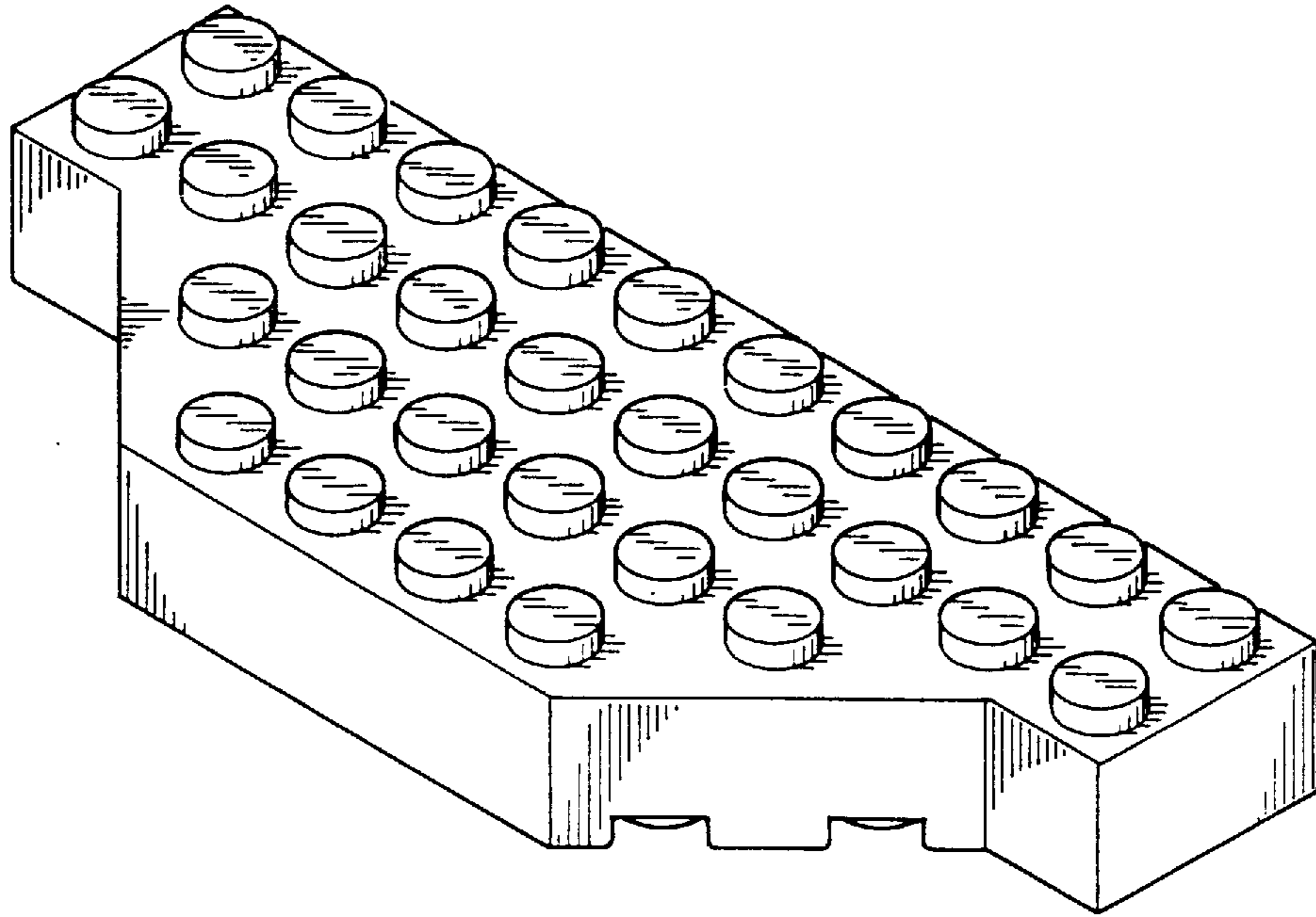


Fig. 1

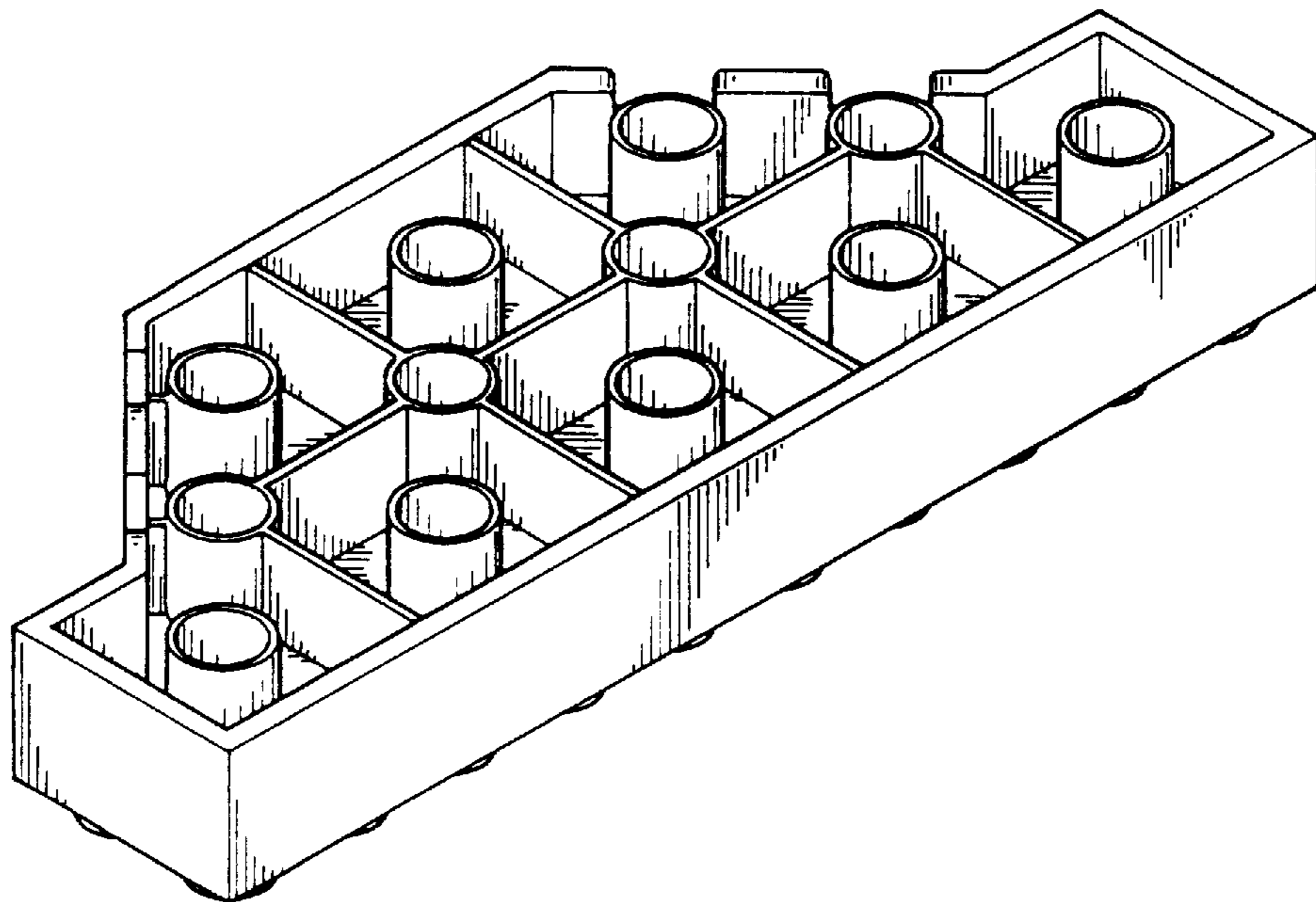


Fig. 2

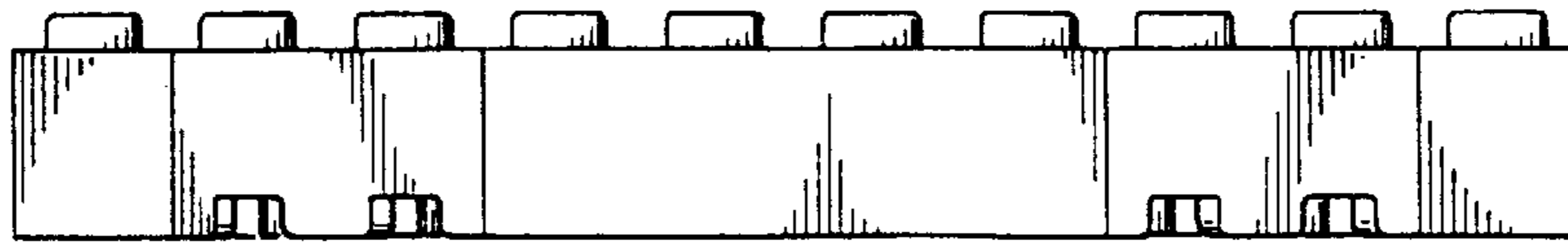


Fig. 5

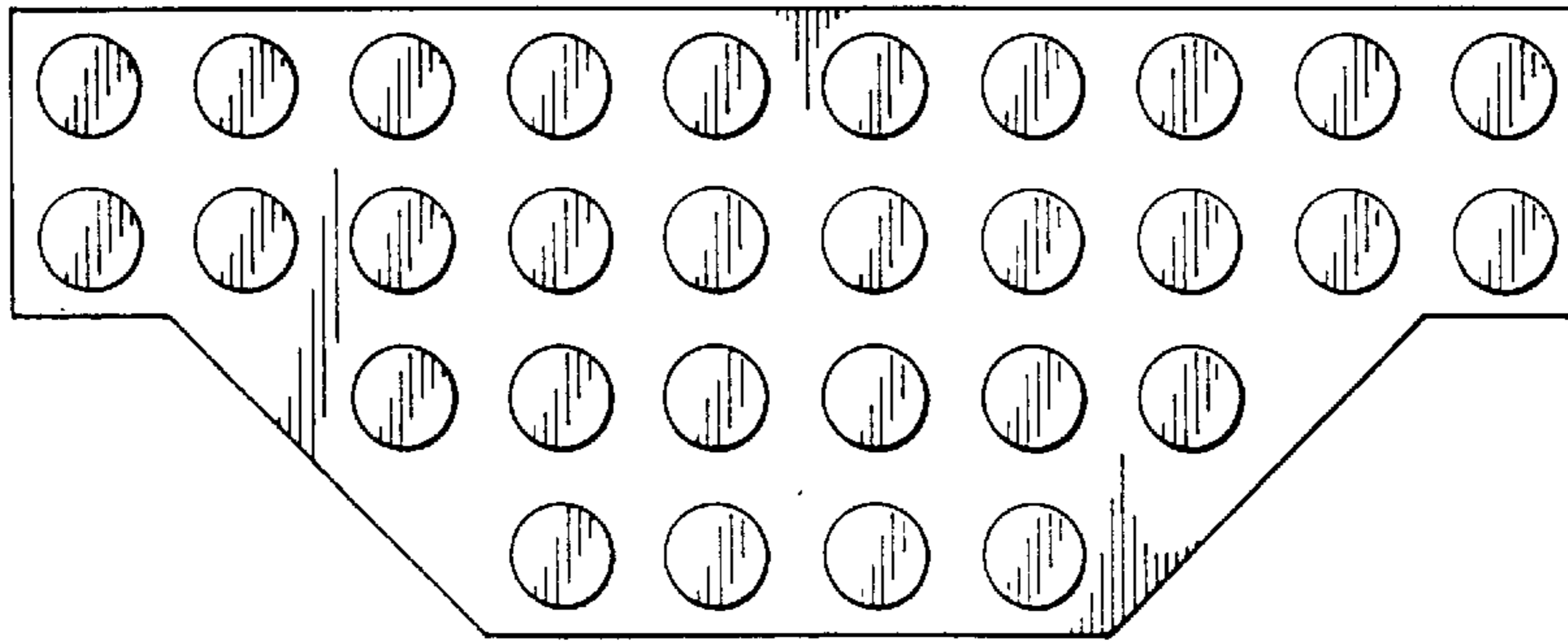


Fig. 8

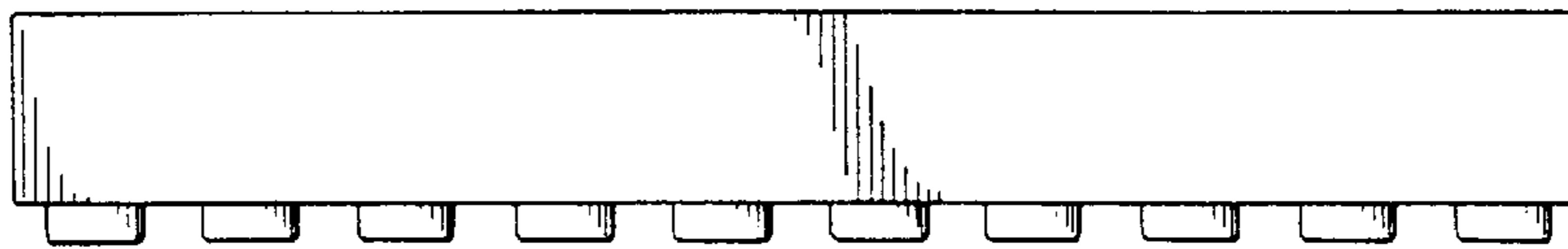


Fig. 4

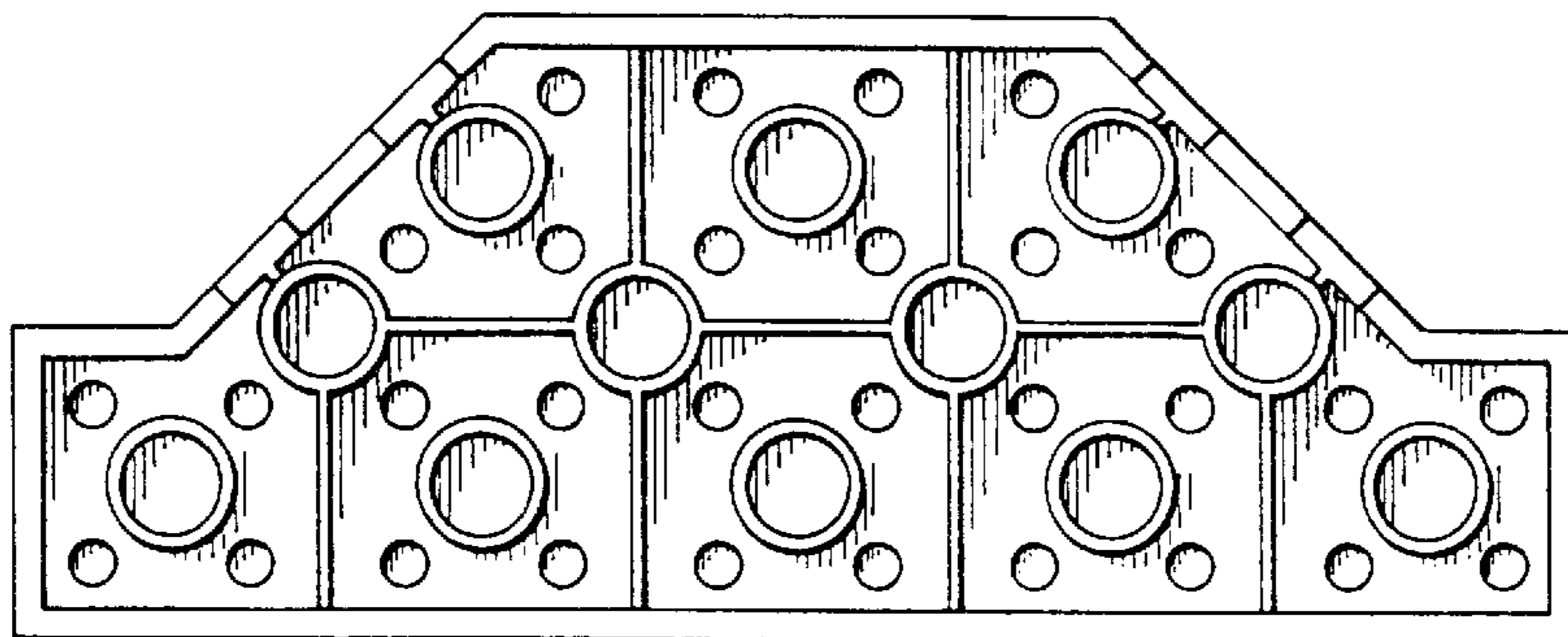


Fig. 7

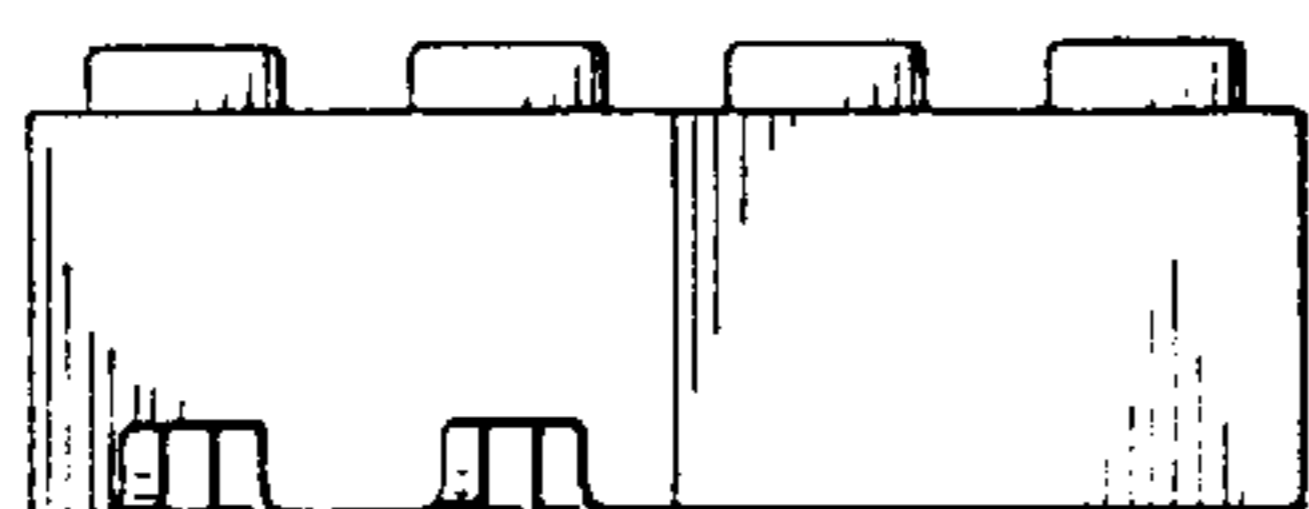


Fig. 3



Fig. 6

UNITED STATES PATENT AND TRADEMARK OFFICE
CERTIFICATE OF CORRECTION

PATENT NO. : Des. 406,864
DATED : March 16, 1999
INVENTOR(S) : Kim Pagel

It is certified that error appears in the above-identified patent and that said Letters Patent is hereby corrected as shown below:

On the title page, between Items [76] (Inventor) and [**] (Term), please insert the following:

[73] Assignee: INTERLEGO AG, Baar, Switzerland

and

On the title page, between Items [56] (References Cited) and [57] (Claim), please insert the following:

After Primary Examiner insert:

Attorney, Agent or Firm - Kane, Dalsimer, Sullivan, Kurucz,
Levy, Eisele and Richard, LLP

Signed and Sealed this
Thirty-first Day of August, 1999

Attest:



Q. TODD DICKINSON

Attesting Officer

Acting Commissioner of Patents and Trademarks