

US00D406860S

United States Patent [19]
Ohno

[11] **Patent Number: Des. 406,860**
[45] **Date of Patent: **Mar. 16, 1999**

[54] **ELECTRONIC PERCUSSION INSTRUMENT**

[75] Inventor: **Masaharu Ohno**, Hamamatsu, Japan

[73] Assignee: **Yamaha Corporation**, Japan

[**] Term: **14 Years**

[21] Appl. No.: **88,314**

[22] Filed: **May 20, 1998**

[30] **Foreign Application Priority Data**

Dec. 5, 1997 [JP] Japan 9-77316

[51] **LOC (6) Cl.** **17-04**

[52] **U.S. Cl.** **D17/22**

[58] **Field of Search** D17/22, 99; 84/723-733,
84/743, DIG. 12, DIG. 24, 402-404; D21/405

[56] **References Cited**

U.S. PATENT DOCUMENTS

D. 297,945 10/1988 Seiler D17/22

D. 308,390 6/1990 Kennedy et al. D17/22
D. 348,895 7/1994 Ito D17/22
734,676 7/1903 Deagan 84/403

Primary Examiner—Ted Shooman
Assistant Examiner—Adir Aronovich
Attorney, Agent, or Firm—Ostrolenk, Faber, Gerb & Soffen, LLP

[57] **CLAIM**

The ornamental design for electronic percussion instrument, as shown.

DESCRIPTION

FIG. 1 is a perspective view thereof looking from the upper left-side direction of electronic percussion instrument;
FIG. 2 is a front view thereof;
FIG. 3 is a top view thereof;
FIG. 4 is a left-side view thereof;
FIG. 5 is a right-side view thereof;
FIG. 6 is a rear view thereof; and,
FIG. 7 is a bottom view thereof.

1 Claim, 2 Drawing Sheets

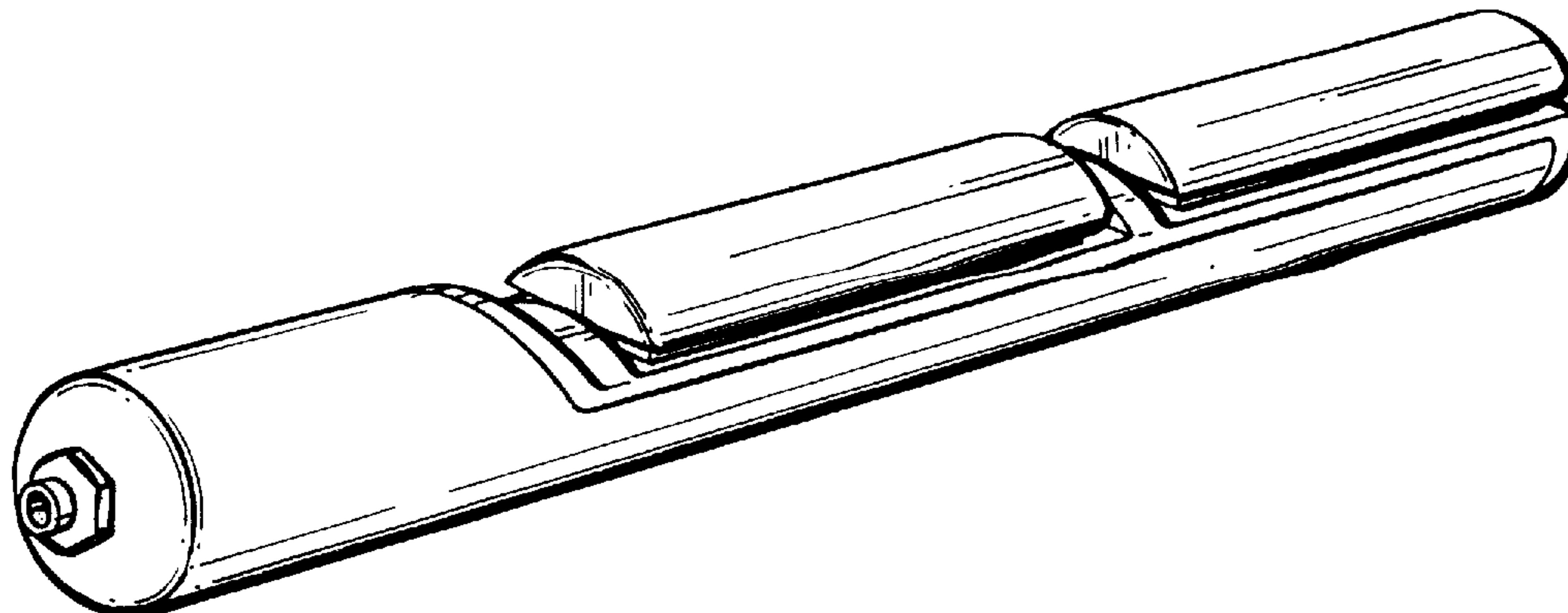


Fig. 1

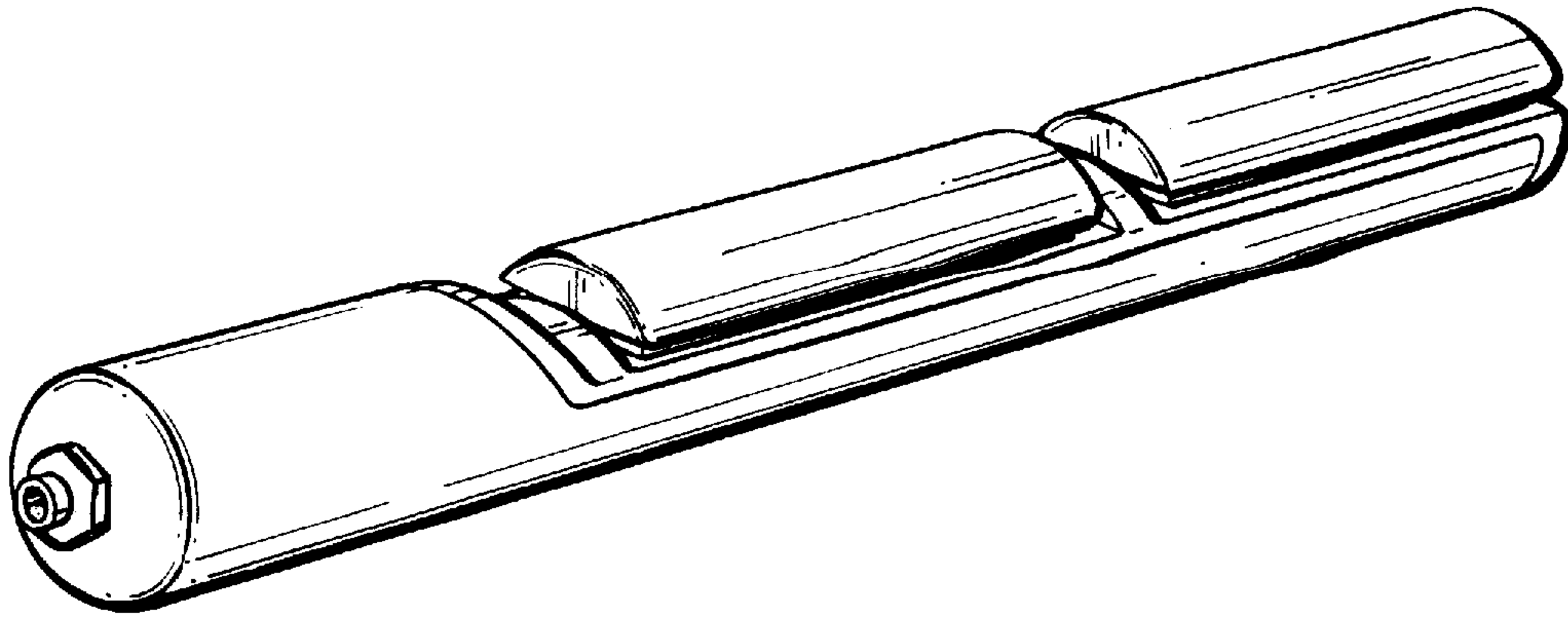


Fig. 2

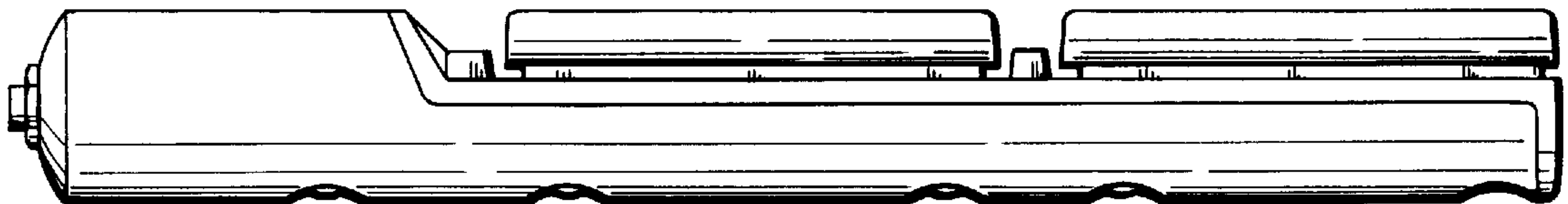


Fig. 3

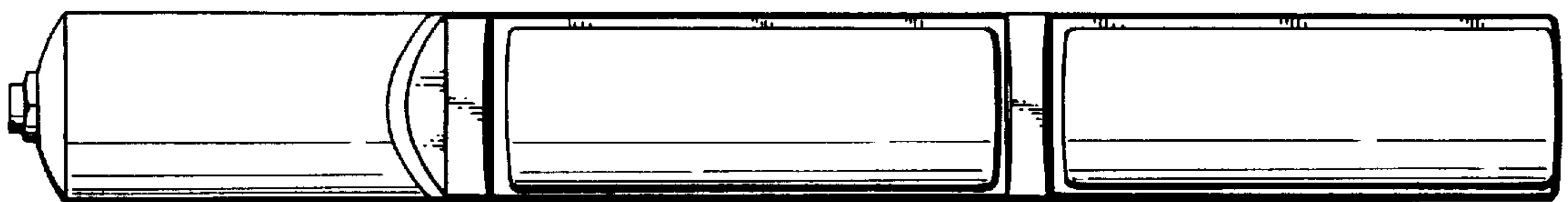


Fig. 4

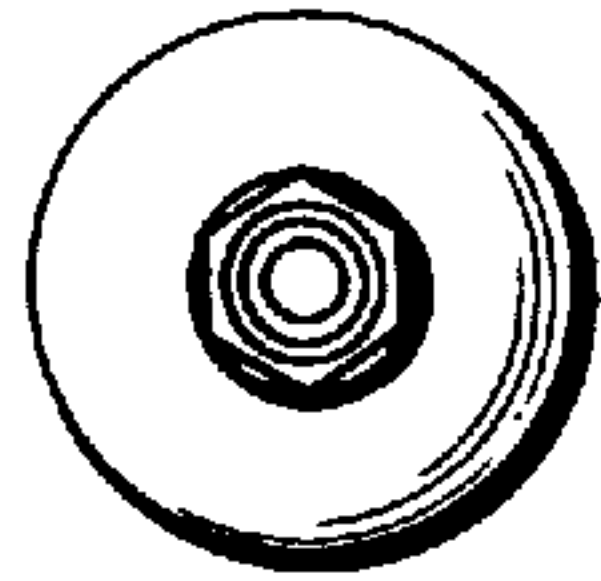


Fig. 5

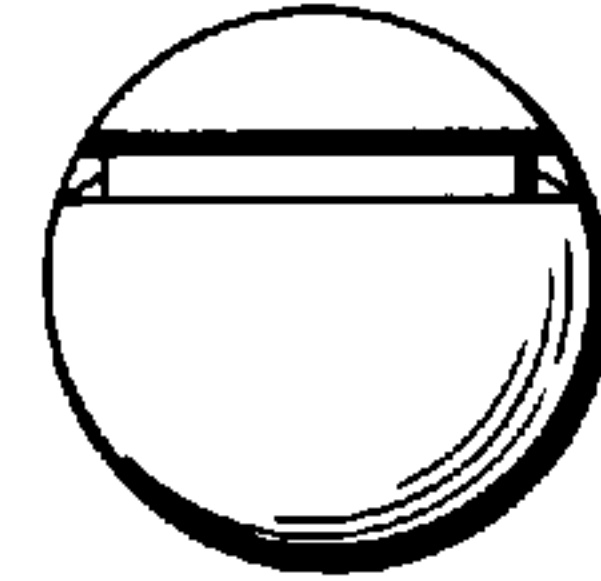


Fig. 6

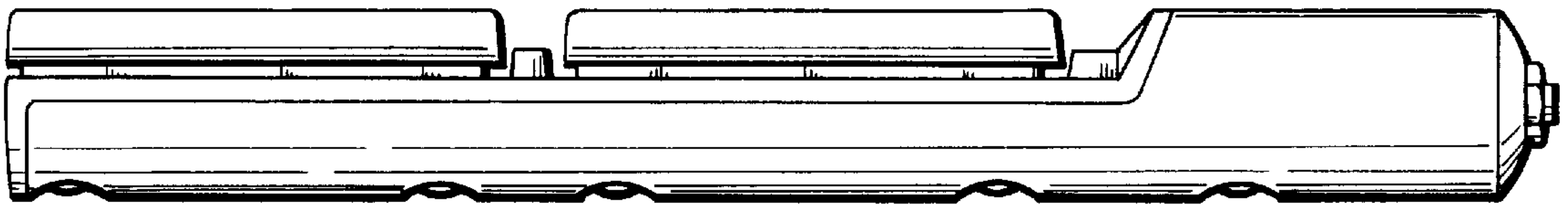


Fig. 7

