



US00D406859S

United States Patent [19] Brune

[11] **Patent Number: Des. 406,859**

[45] **Date of Patent: **Mar. 16, 1999**

[54] **EYEWEAR TEMPLE**

[75] Inventor: **Henri Brune**, Fleurieux sur L'Abresle, France

[73] Assignee: **Bausch & Lomb Incorporated**, Rochester, N.Y.

[**] Term: **14 Years**

[21] Appl. No.: **84,449**

[22] Filed: **Mar. 2, 1998**

Related U.S. Application Data

[62] Division of Ser. No. 70,170, May 1, 1997.

[51] **LOC (6) Cl. 16-06**

[52] **U.S. Cl. D16/335**

[58] **Field of Search D16/300, 302, D16/304, 306, 309, 311-330, 335, 338; 351/41, 44, 51, 52, 111, 114, 116, 118-119, 122, 121; 2/448**

[56] References Cited

U.S. PATENT DOCUMENTS

D. 87,617	8/1932	Bowers	D16/322
D. 135,992	7/1943	Pomeranz	D16/320
D. 294,035	2/1988	Kanouji	D16/102
D. 302,559	8/1989	Samuel	D16/102
D. 305,900	2/1990	Samuel	D16/102
D. 328,907	8/1992	Samuel	D16/102

D. 329,445	9/1992	Jannard	D16/116
D. 330,716	11/1992	Jannard	D16/116
D. 343,182	1/1994	Jannard	D16/300
D. 365,591	12/1995	Jannard et al.	D16/326
D. 379,364	5/1997	Totsuka	D16/326
D. 381,036	7/1997	Kimura	D16/315
D. 385,290	10/1997	Totsuka et al.	D16/326
5,054,903	10/1991	Jannard et al.	351/123

OTHER PUBLICATIONS

1997 Ray Ban Sourcebook p. 14.
Giorgio Armani Catalog, Glasses #147 , #626, 1995.

Primary Examiner—Raphael Barkai
Attorney, Agent, or Firm—Katherine McGuire

[57] CLAIM

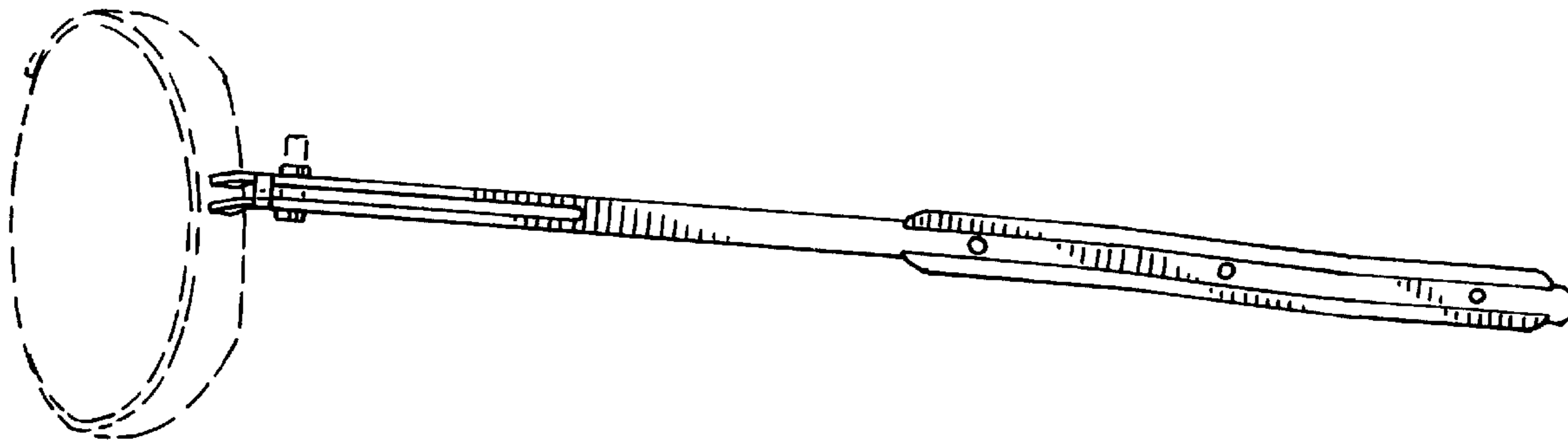
The ornamental design for eyewear temple, as shown and described.

DESCRIPTION

FIG. 1 is a front elevational view of an eyewear temple with an endpiece showing my new design.
FIG. 2 is a rear elevational view thereof;
FIG. 3 is a side elevational view thereof;
FIG. 4 is a side elevational view opposite FIG. 3;
FIG. 5 is a top plan view thereof; and,
FIG. 6 is a bottom plan view thereof.

The portion of the figures in broken lines is shown for environmental purposes only and forms no part of the claimed design.

1 Claim, 2 Drawing Sheets



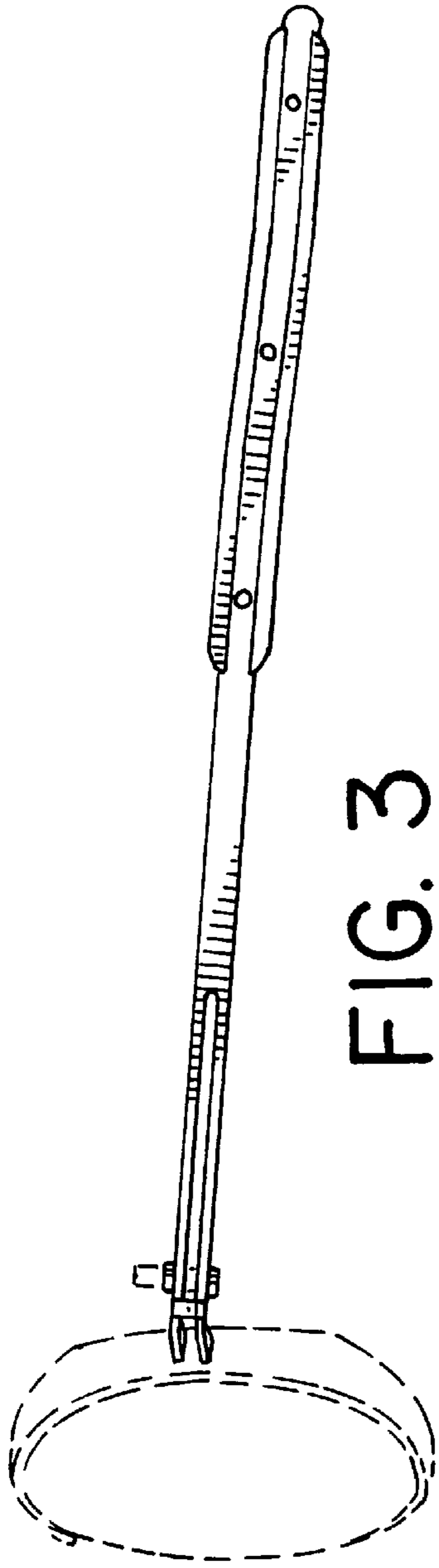


FIG. 3

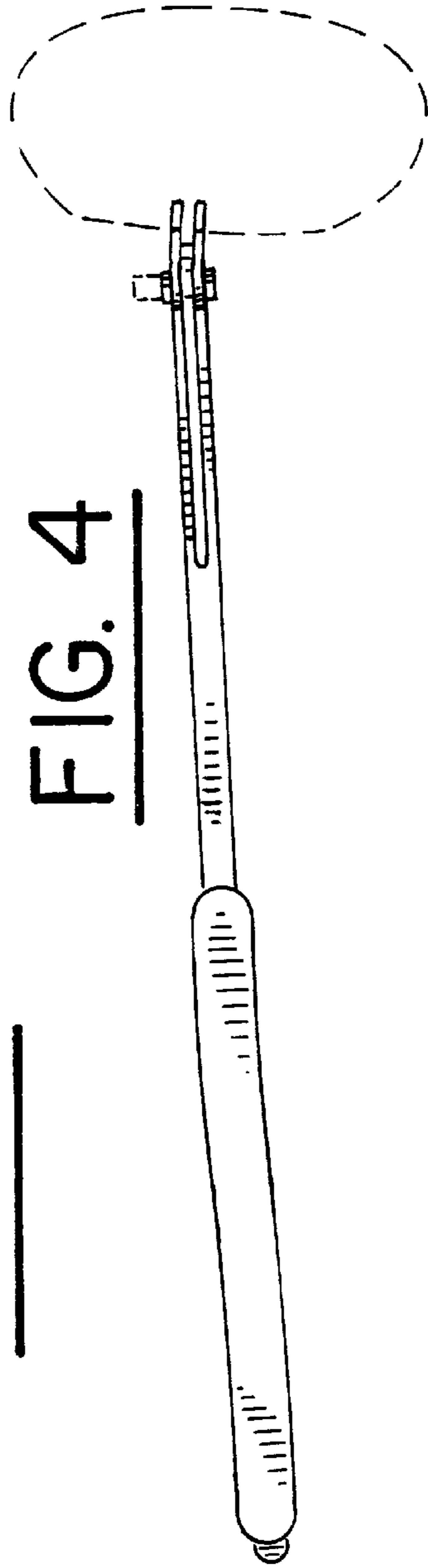


FIG. 4

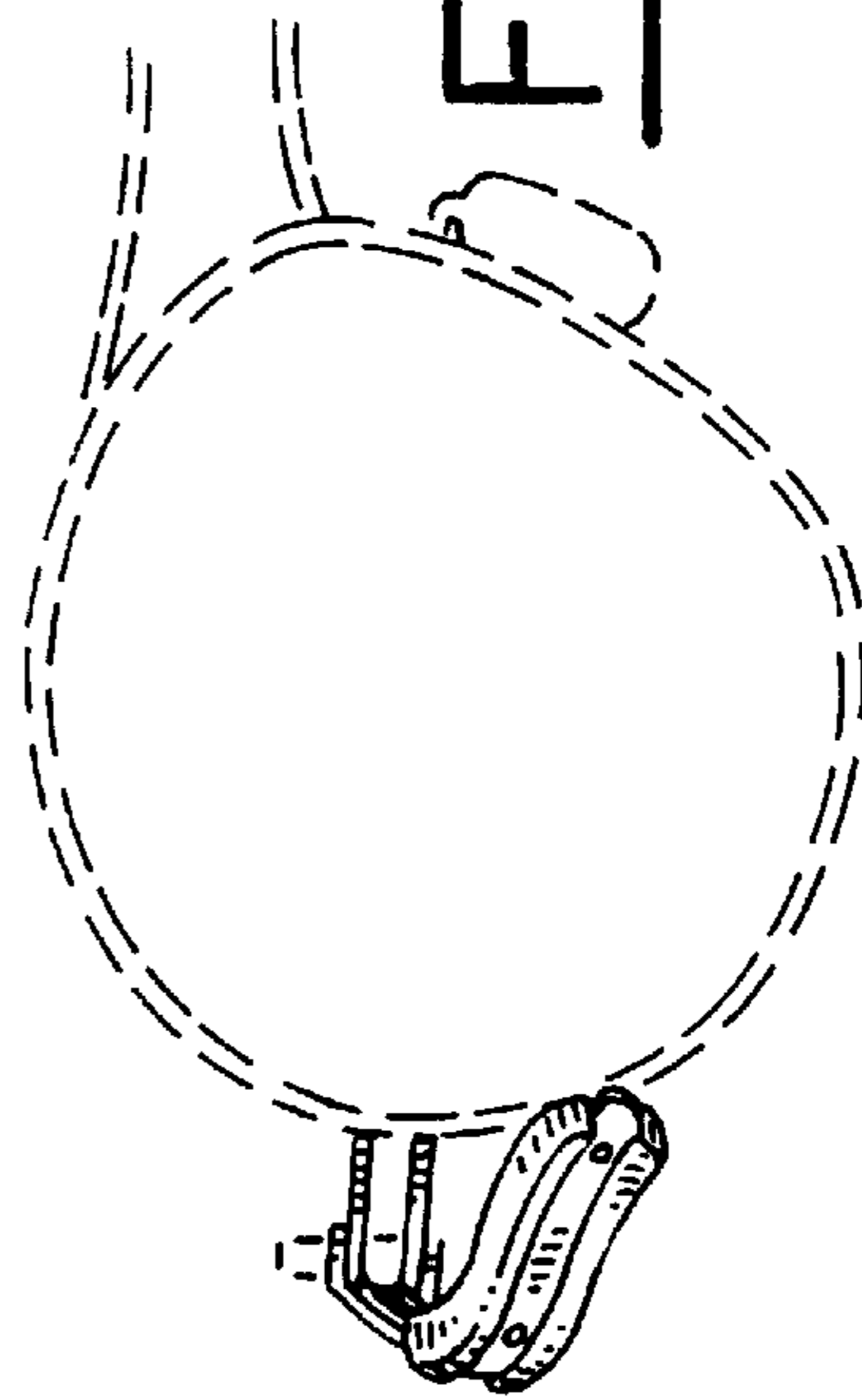


FIG. 2

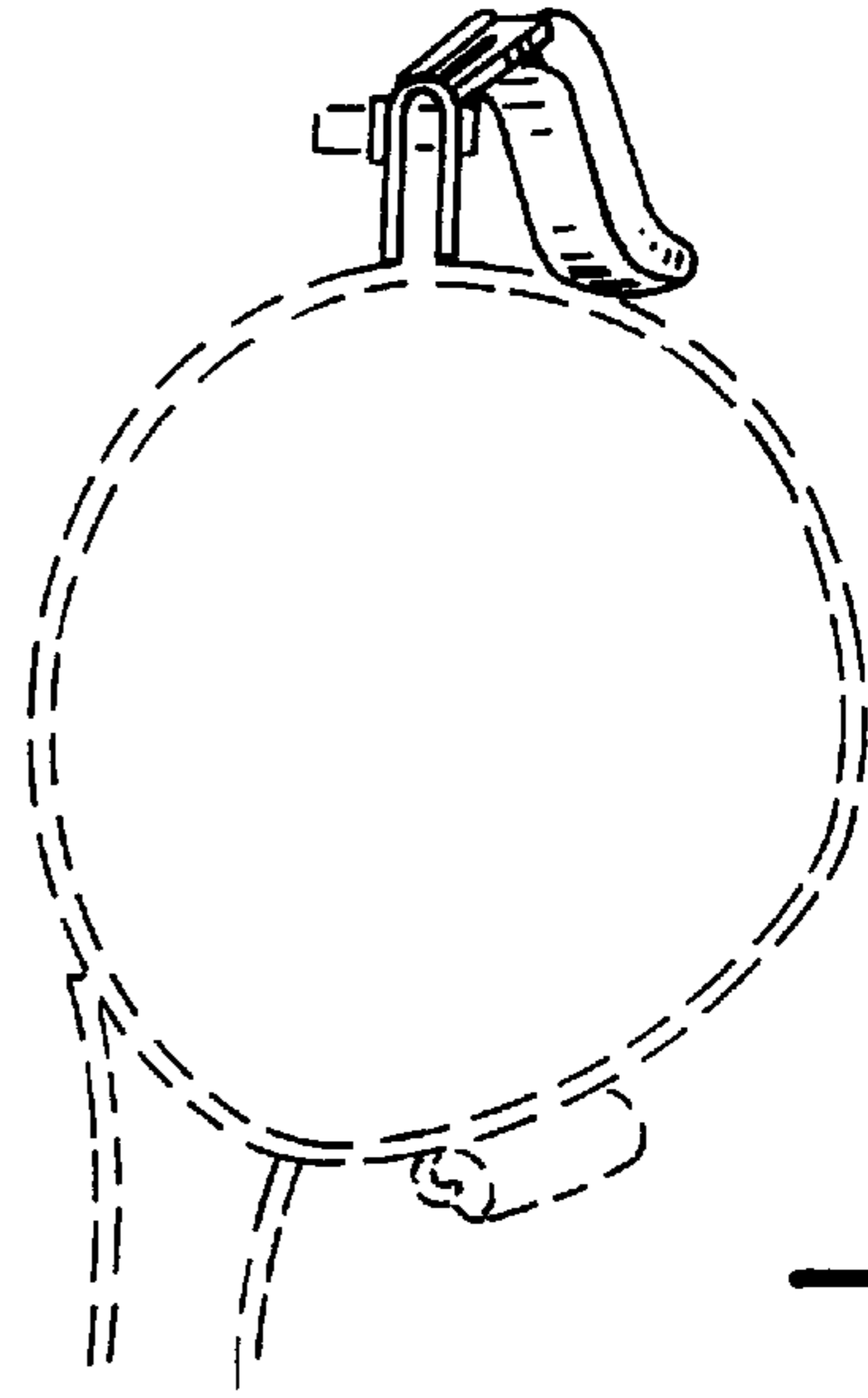


FIG. 1

