



US00D406855S

United States Patent [19]
Skipp et al.

[11] **Patent Number: Des. 406,855**

[45] **Date of Patent: **Mar. 16, 1999**

[54] **CAMERA MOUNT FOR ROLLING MOVEMENT**

[75] Inventors: **Michael Sidney Skipp**, Granada Hill;
Michael Stephen Skipp, Encino, both of Calif.

[73] Assignee: **Roy Isaia**, Thousand Oaks, Calif.

[**] Term: **14 Years**

[21] Appl. No.: **79,594**

[22] Filed: **Nov. 3, 1997**

[51] **LOC (6) Cl. 16-05**

[52] **U.S. Cl. D16/242**

[58] **Field of Search D16/237, 242, D16/243, 245; 248/178.1, 179.1, 185.1, 183.1, 187.1, 205.1, 130; 396/419, 420, 422, 425, 428; 352/243; 348/373, 374**

[56] **References Cited**

U.S. PATENT DOCUMENTS

D. 175,033	6/1955	McCollough	D16/242
D. 252,754	8/1979	Viering	D16/242
1,480,651	1/1924	Bailey	248/179.1
1,840,556	1/1932	Arnold .	
2,364,363	12/1944	Howell .	
3,603,545	9/1971	Boniface	248/184
3,891,301	6/1975	Heller	350/85
3,924,828	12/1975	Epperson	248/179
4,088,396	5/1978	Edelstein	350/252
4,187,051	2/1980	Kirsch et al.	414/744
4,233,634	11/1980	Adams	358/229
4,304,385	12/1981	Farouche et al.	248/410
4,655,548	4/1987	Jue	350/245
4,734,778	3/1988	Kobayashi	358/229
4,763,151	8/1988	Klinger	354/293
4,826,116	5/1989	Blaschek et al.	248/185
4,941,106	7/1990	Krieger	364/513
4,963,903	10/1990	Cane	354/81

5,029,795	7/1991	Dexter	248/431
5,150,627	9/1992	Lindsay	74/98
5,195,707	3/1993	Ignatuk et al.	248/179
5,218,439	6/1993	Mizoguchi et al.	358/209
5,312,121	5/1994	Chapman	280/47.11
5,475,584	12/1995	Bani-Hashemi	364/167.01
5,497,214	3/1996	Labree	354/81
5,557,329	9/1996	Lim	348/373
5,579,071	11/1996	Wetzel et al.	396/428
5,768,647	6/1998	Coffin et al.	396/428
5,768,648	6/1998	Skipp et al.	396/428

OTHER PUBLICATIONS

Roy Isaia, The Equipment Broker, Inc's 1996 descriptive brochures and price lists for Ronford-Baker products (Fluid 7 MK III & MK IV (Extra Fluid Power) Variable Camera Head, Series 2000 Fluid Heads with Balance Control, Mini Seven Head, Lightweight Tripod, and General Accessories). A&C LTD UK's brochure of Power-POD 2000 Remote Head for Film and TV incl. the Control System (brochure PP2000/9/97).

Primary Examiner—Adir Aronovich
Attorney, Agent, or Firm—Cislo & Thomas LLP

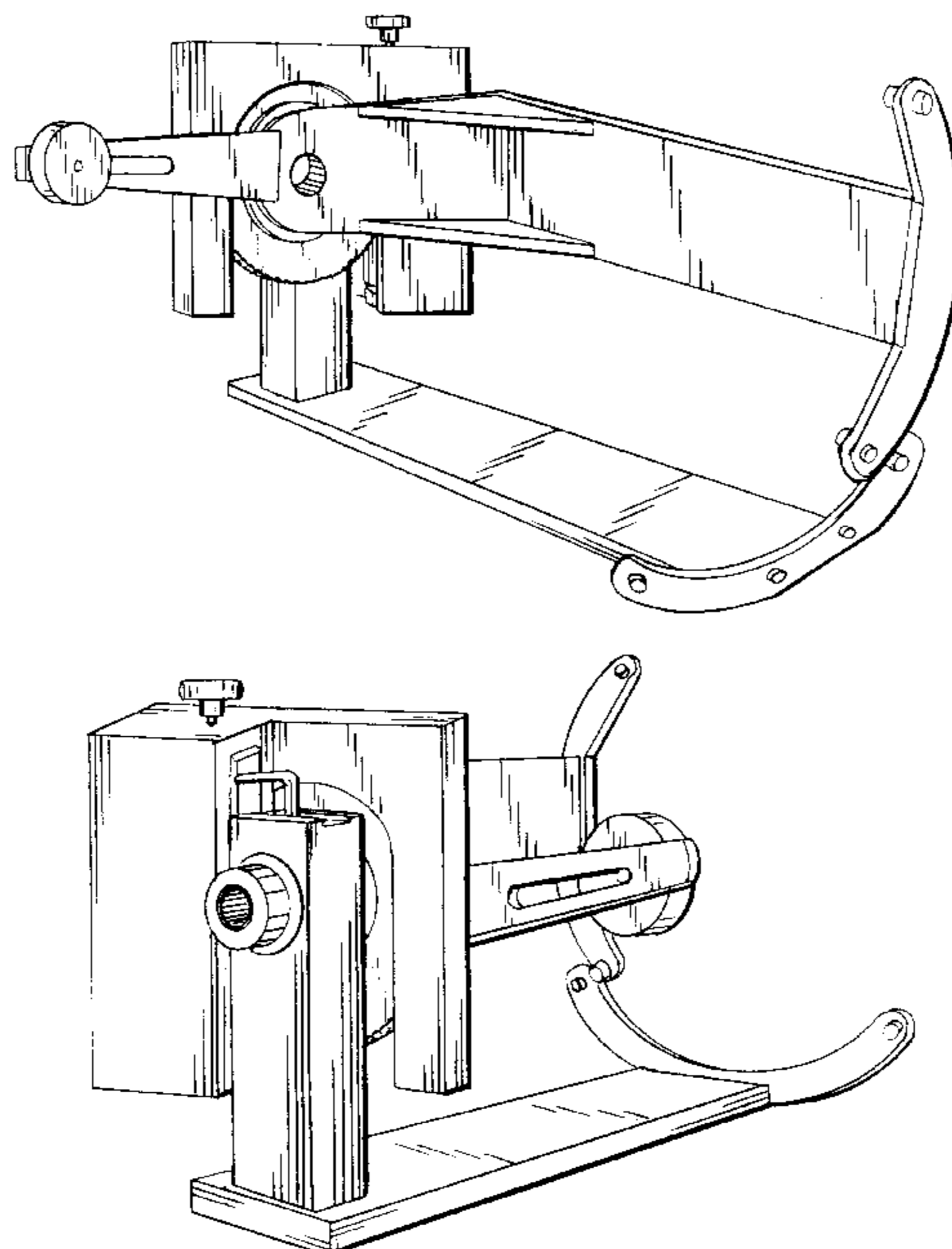
[57] **CLAIM**

The ornamental design for a camera mount for rolling movement, as shown and described.

DESCRIPTION

FIG. 1 is a front perspective view of our camera mount for rolling movement;
FIG. 2 is a rear perspective view thereof;
FIG. 3 is a front view thereof;
FIG. 4 is a rear view thereof;
FIG. 5 is a right hand side elevational view thereof;
FIG. 6 is a left hand side elevational view thereof;
FIG. 7 is a top view thereof; and,
FIG. 8 is a bottom view thereof.

1 Claim, 4 Drawing Sheets



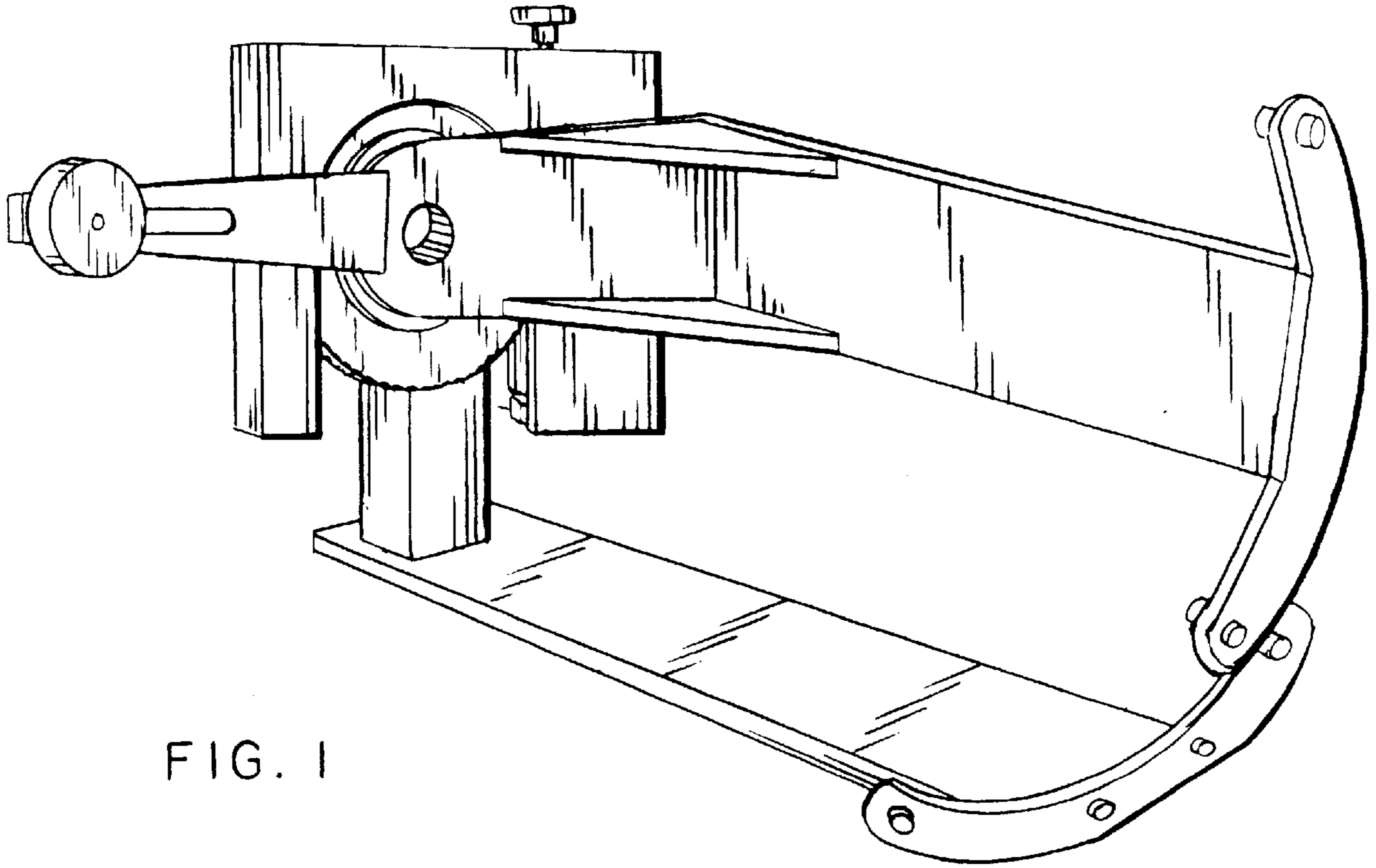


FIG. 1

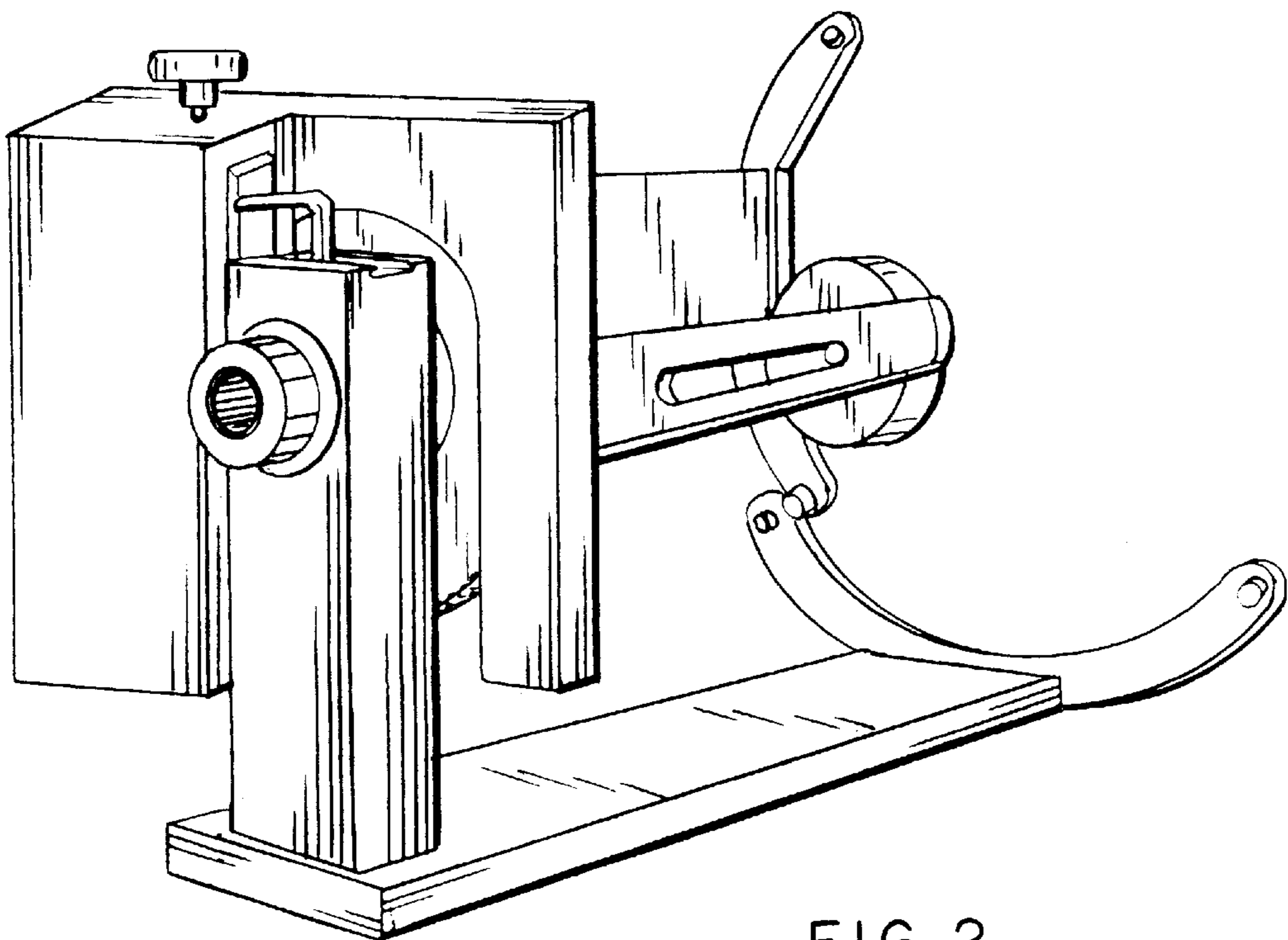


FIG. 2

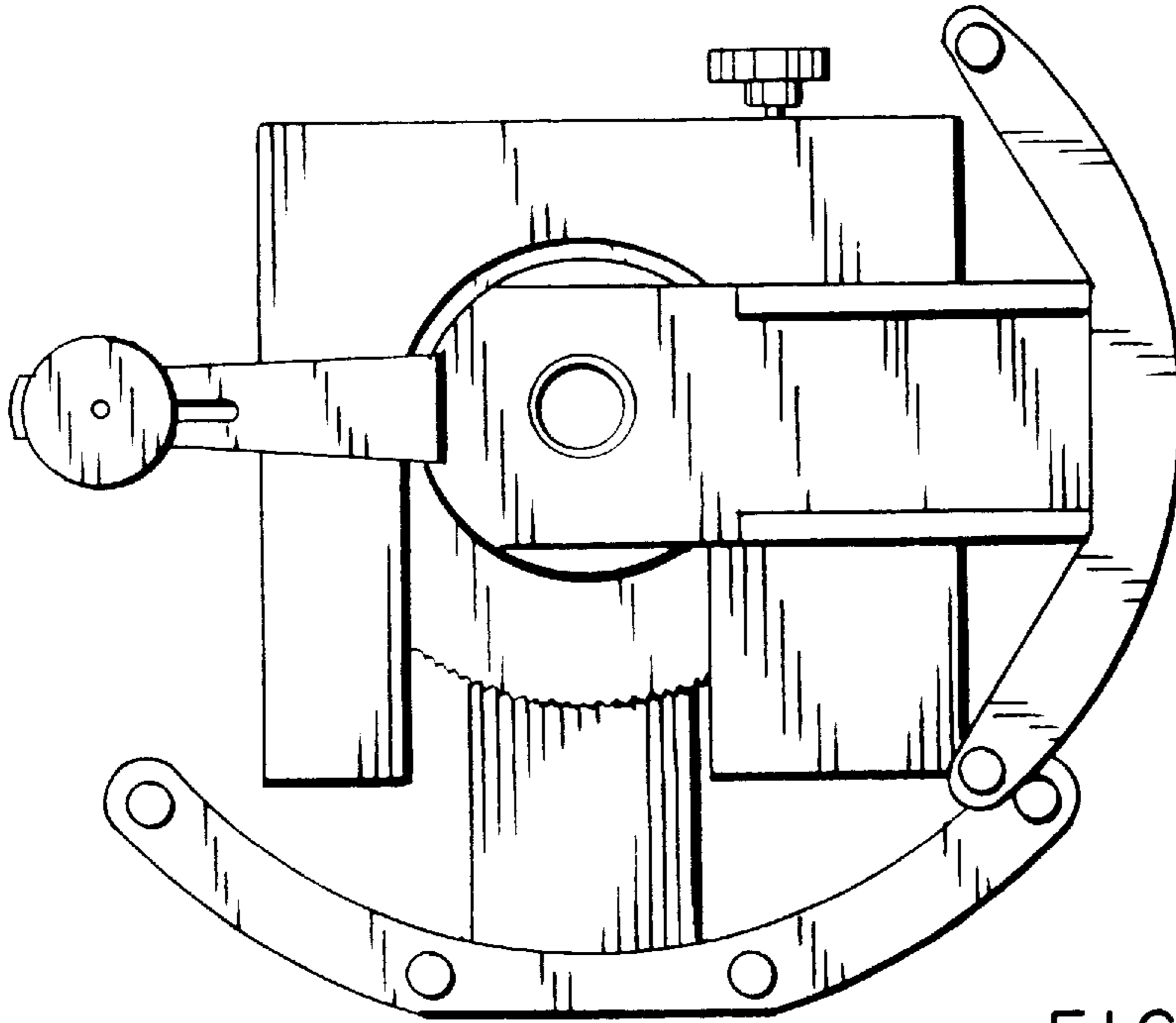


FIG. 3

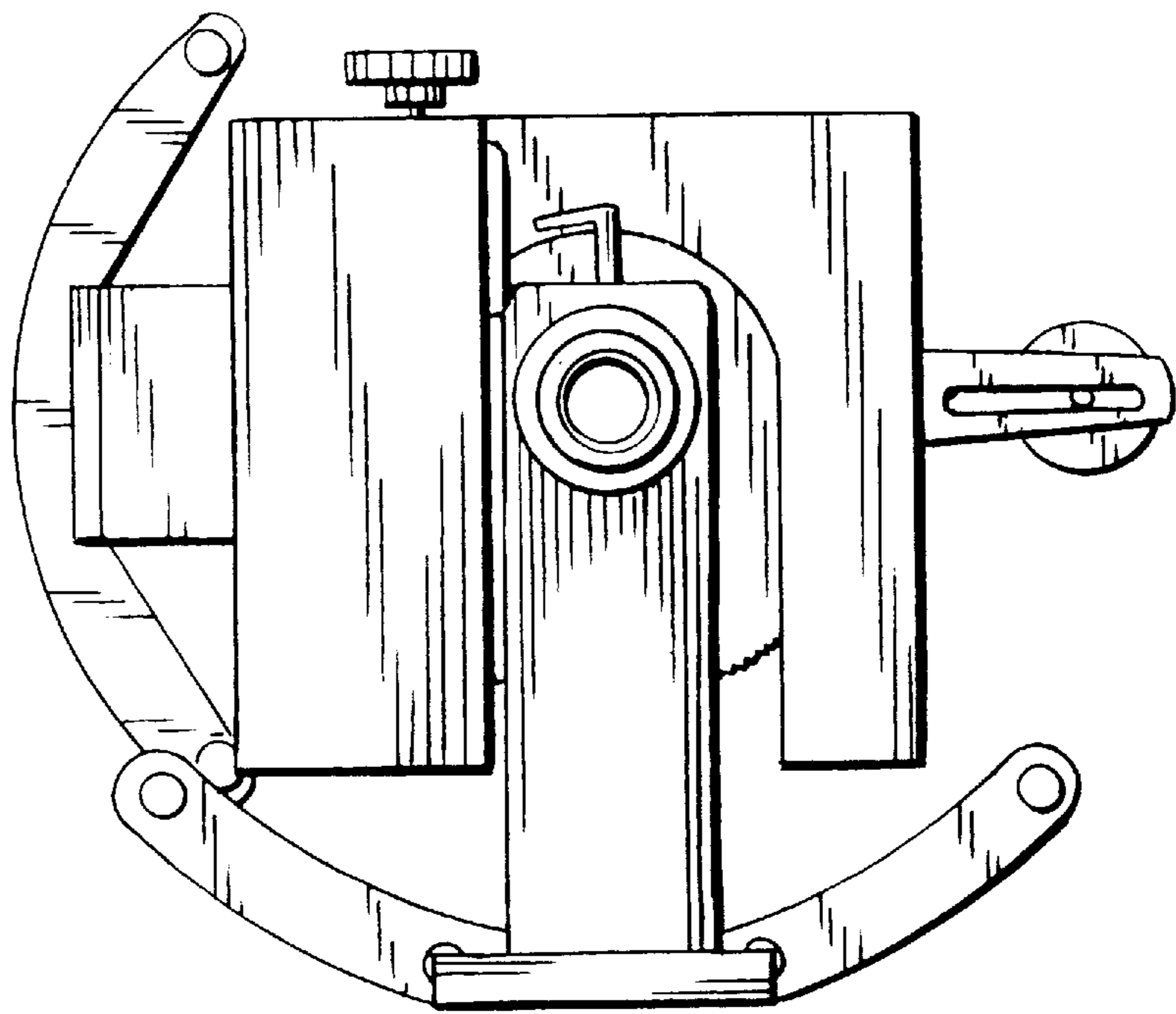


FIG. 4

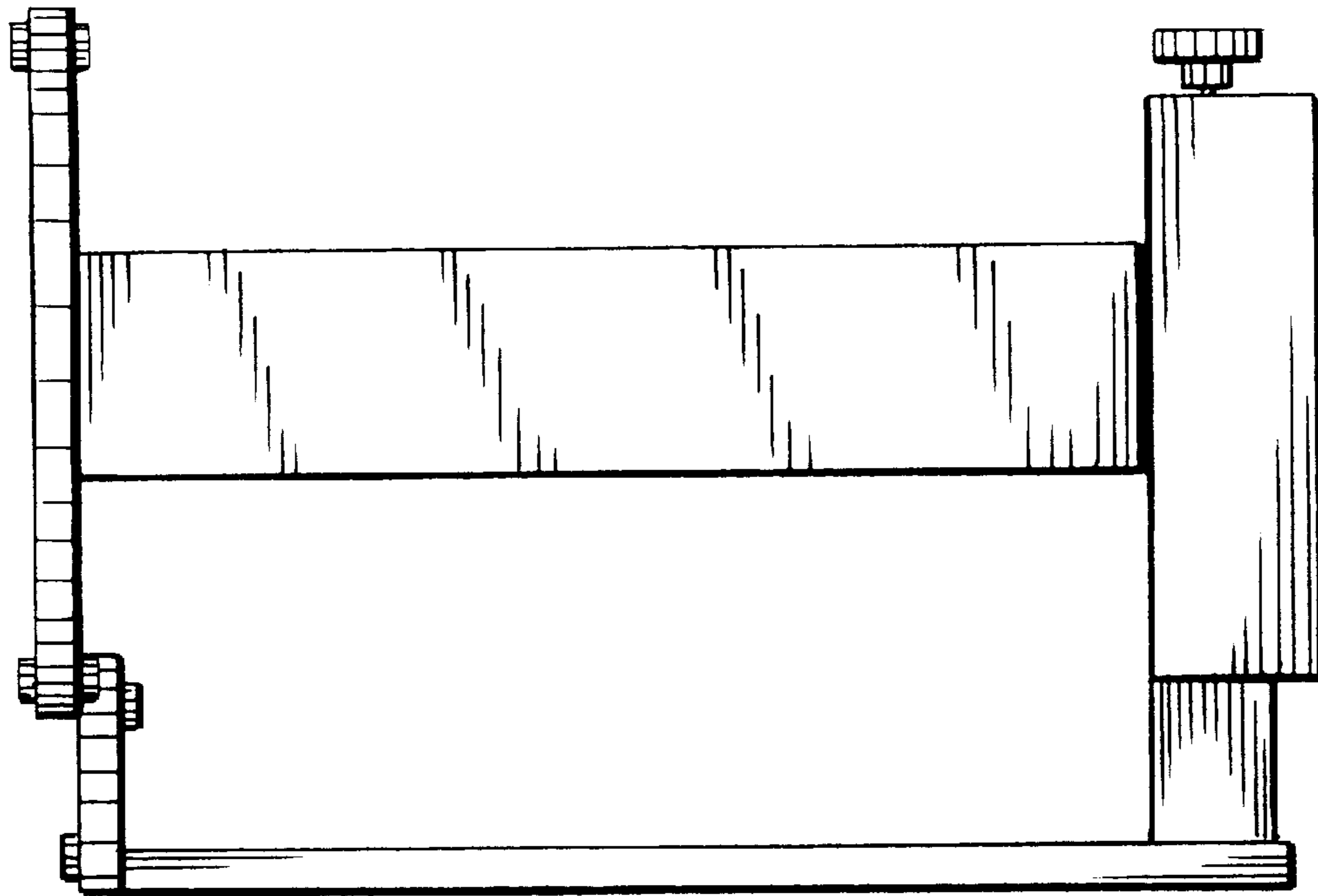


FIG. 5

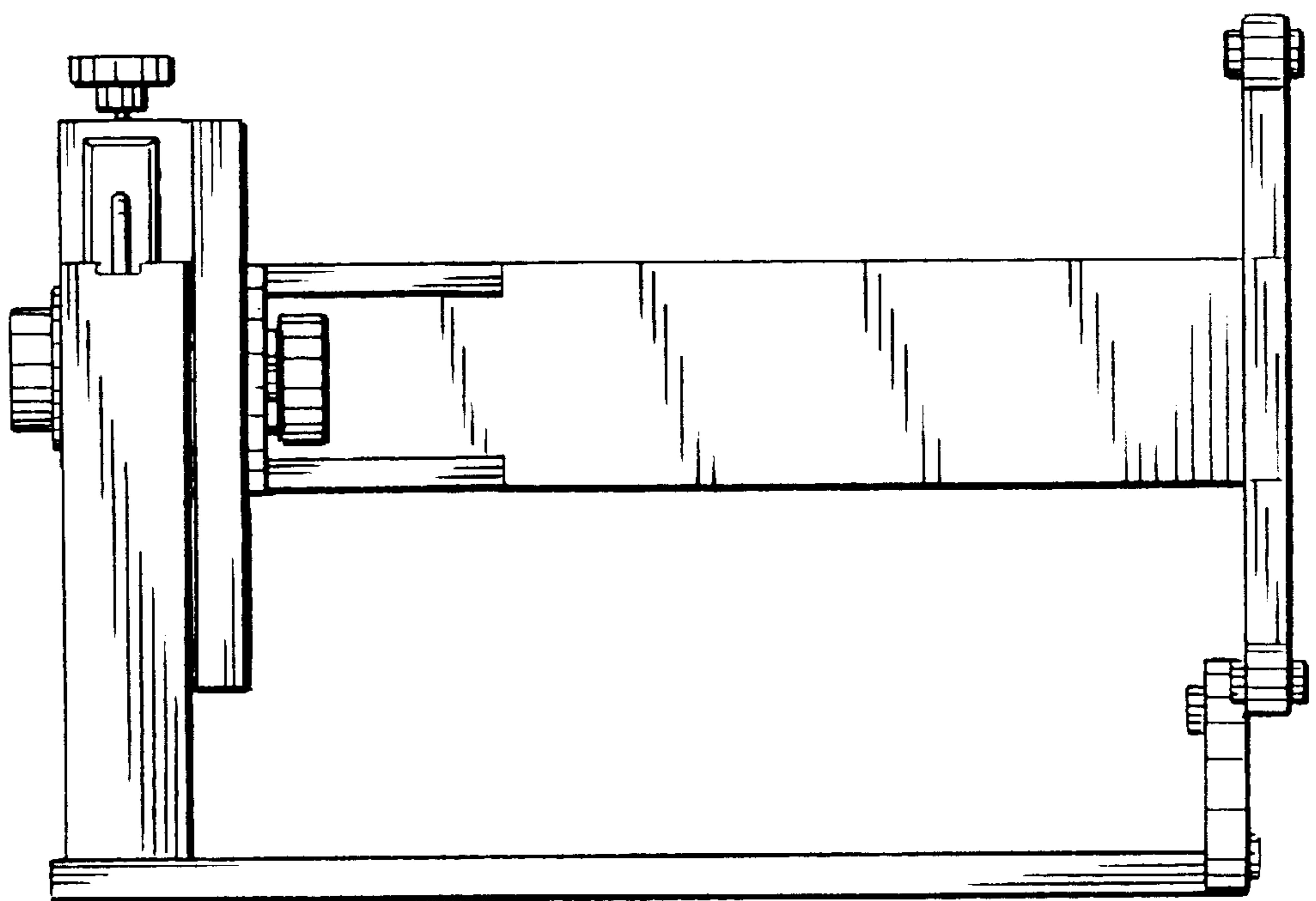


FIG. 6

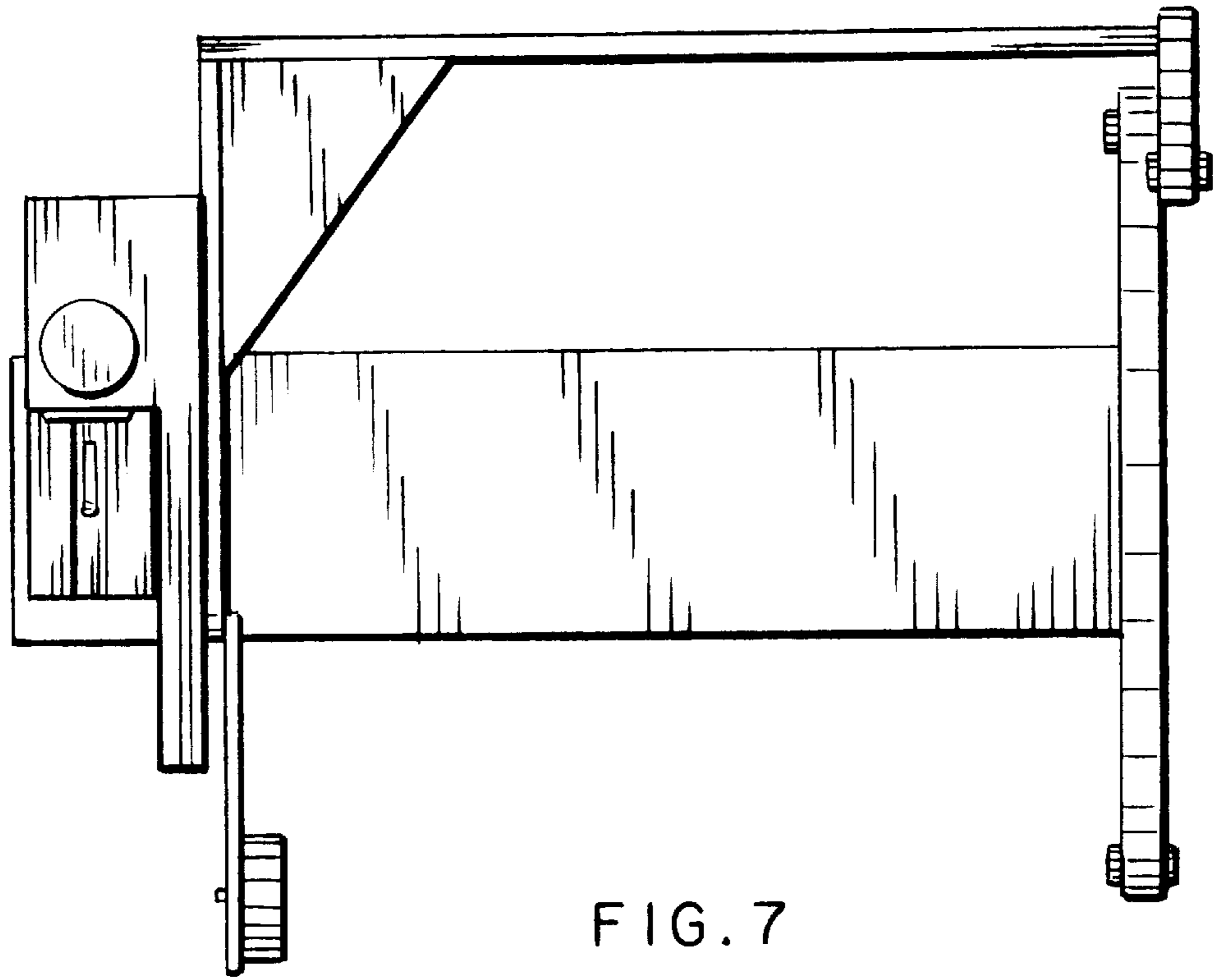


FIG. 7

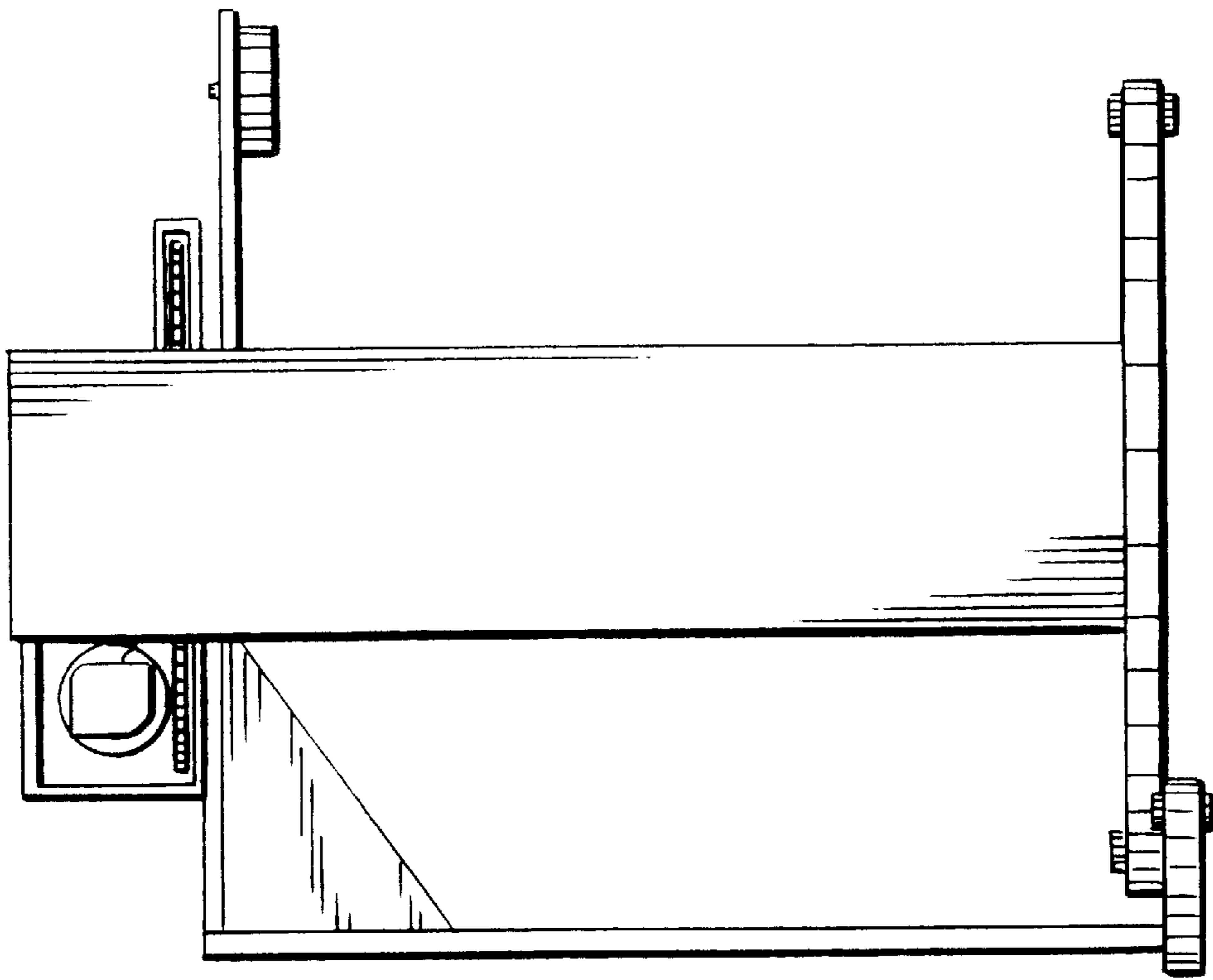


FIG. 8