



US00D406854S

# United States Patent [19]

Swayze et al.

[11] Patent Number: **Des. 406,854**

[45] Date of Patent: **\*\*Mar. 16, 1999**

[54] **ELECTRONIC CAMERA**

[75] Inventors: **Samuel F. Swayze**, Fairport, N.Y.; **G. K. Smithborne**, Minden, Nev.; **Paul Klock**, Rochester, N.Y.

[73] Assignee: **Eastman Kodak Company**, Rochester, N.Y.

[\*\*] Term: **14 Years**

[21] Appl. No.: **85,432**

[22] Filed: **Mar. 23, 1998**

[51] **LOC (6) Cl.** ..... **16-01**

[52] **U.S. Cl.** ..... **D16/202; D16/218**

[58] **Field of Search** ..... **D16/200-205, D16/208, 209, 216-218; 348/373-376; 358/906, 909.1; 396/535-543**

### [56] **References Cited**

#### U.S. PATENT DOCUMENTS

D. 371,377	7/1996	Miyahara	.....	D16/202
D. 384,088	9/1997	Isozaki et al.	.....	D16/202
D. 387,078	12/1997	Akita	.....	D16/202
D. 388,449	12/1997	Ohi et al.	.....	D16/202
D. 394,443	5/1998	Hayashi et al.	.....	D16/208
4,918,477	4/1990	Matsuda et al.	.....	396/540

*Primary Examiner*—Philip S. Hyder  
*Assistant Examiner*—Adir Aronovich  
*Attorney, Agent, or Firm*—David M. Woods

### [57] **CLAIM**

The ornamental design for an electronic camera, as shown and described.

### **DESCRIPTION**

FIG. 1 is a front, top, right-side perspective view of an electronic camera, showing our new design with zoom lens retracted;

FIG. 2 is a rear, bottom, left-side perspective view of the camera shown in FIG. 1;

FIG. 3 is a front elevation view of the camera shown in FIG. 1;

FIG. 4 is a rear elevation view of the camera shown in FIG. 1;

FIG. 5 is a top plan view of the camera shown in FIG. 1;

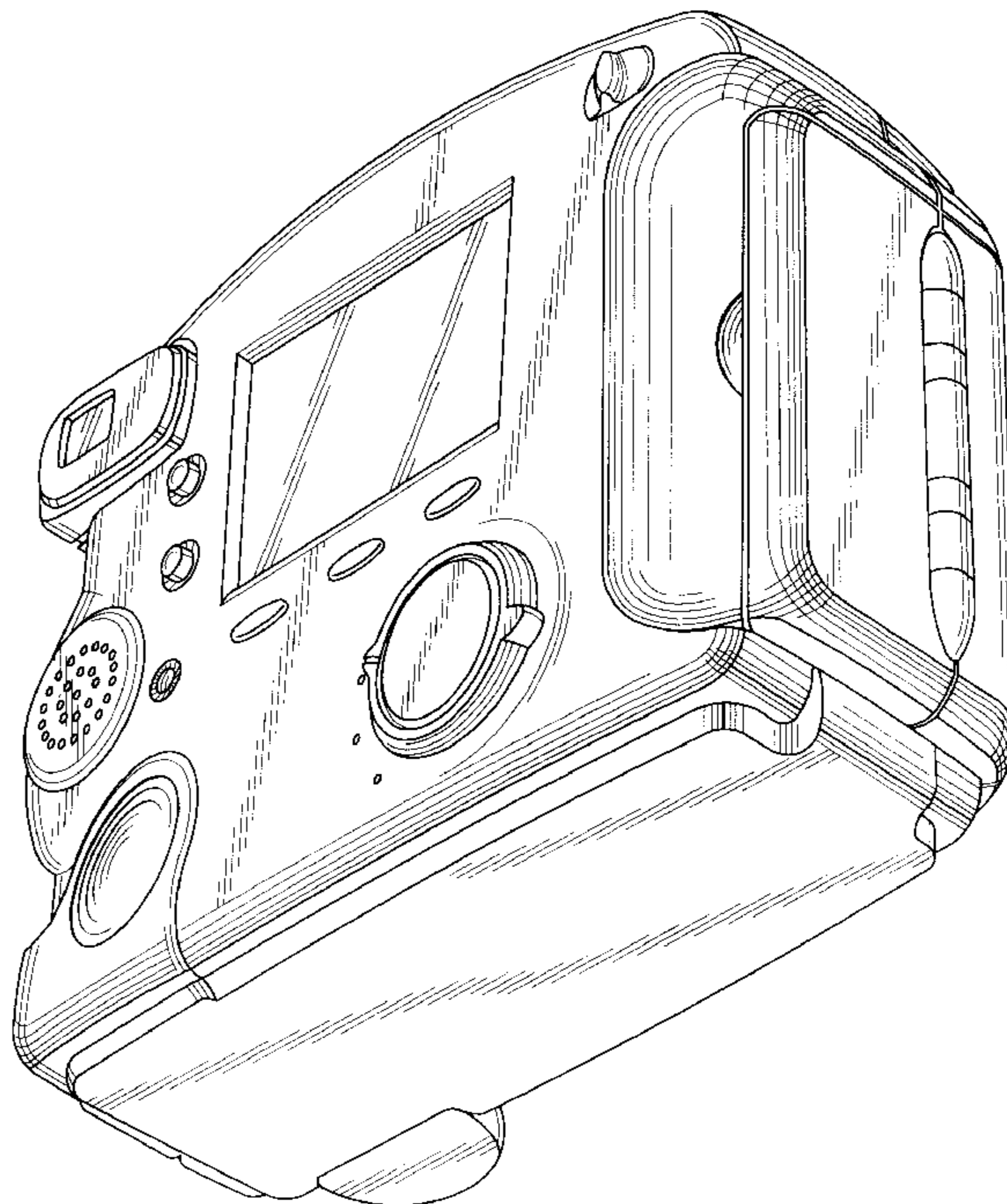
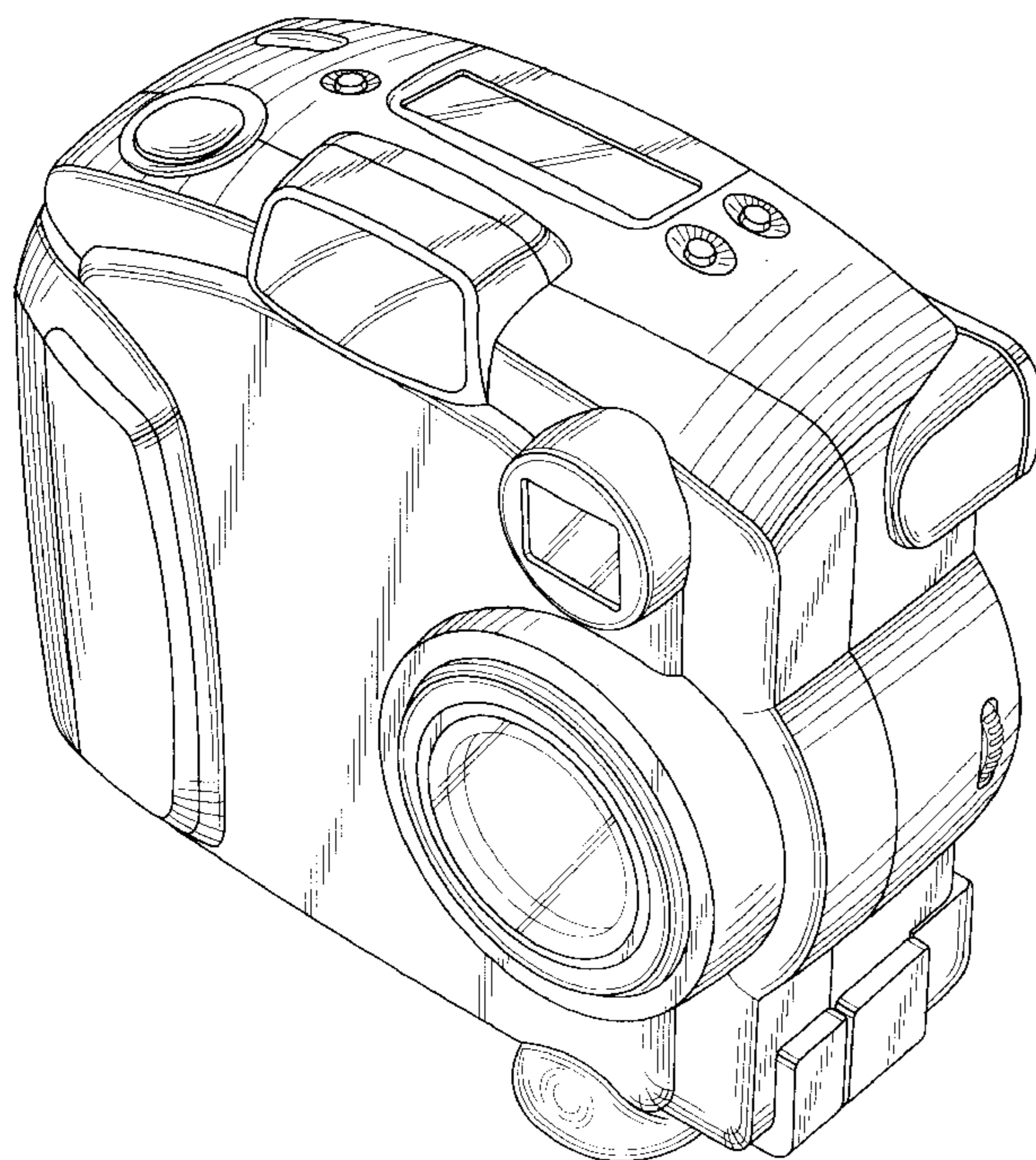
FIG. 6 is a bottom plan view of the camera shown in FIG. 1;

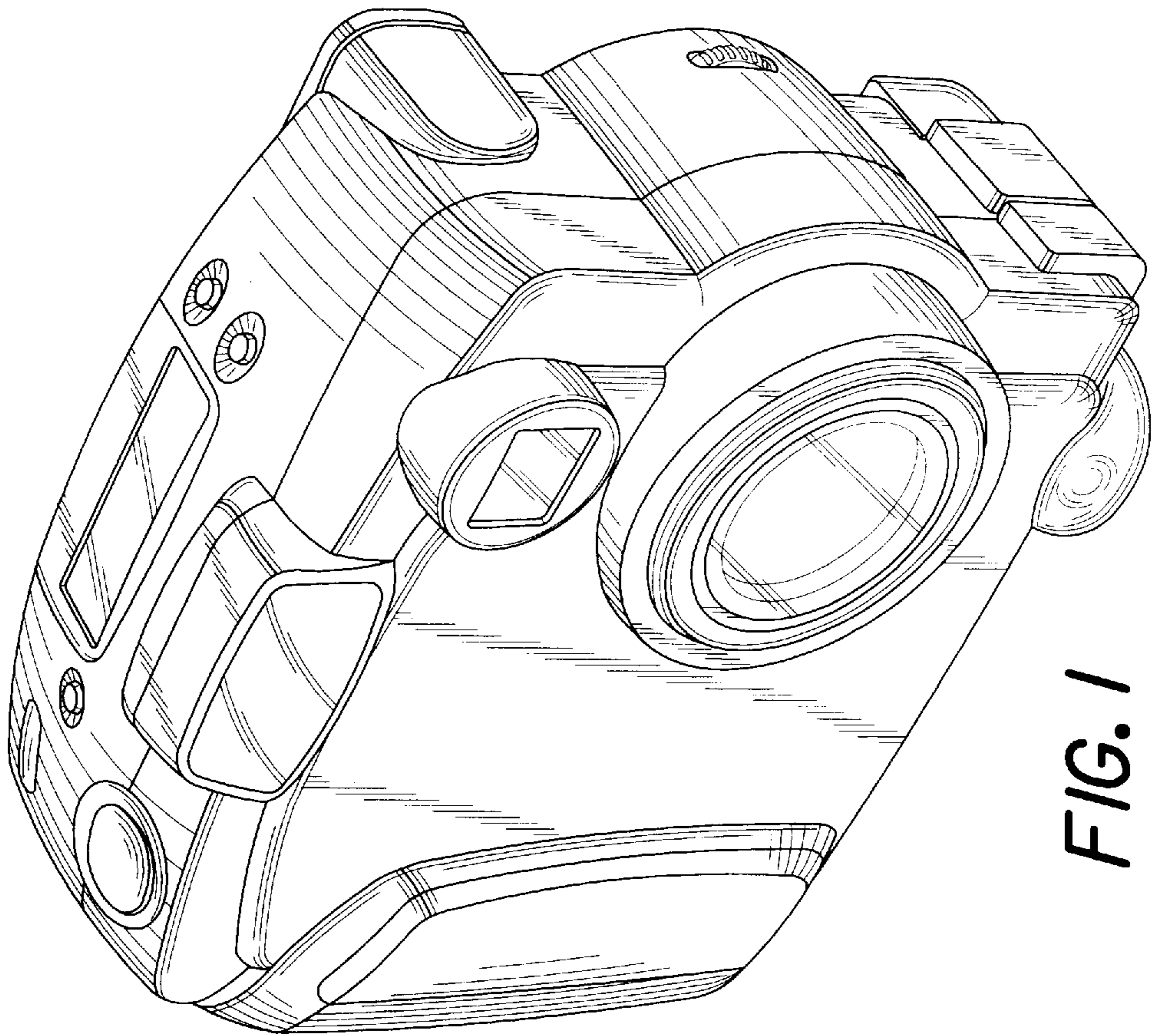
FIG. 7 is a right-side elevation view of the camera shown in FIG. 1;

FIG. 8 is a left-side elevation view of the camera shown in FIG. 1; and,

FIG. 9 is a front, top, right-side perspective view of the camera shown in FIG. 1, showing the lens extended.

**1 Claim, 9 Drawing Sheets**





*FIG. 1*



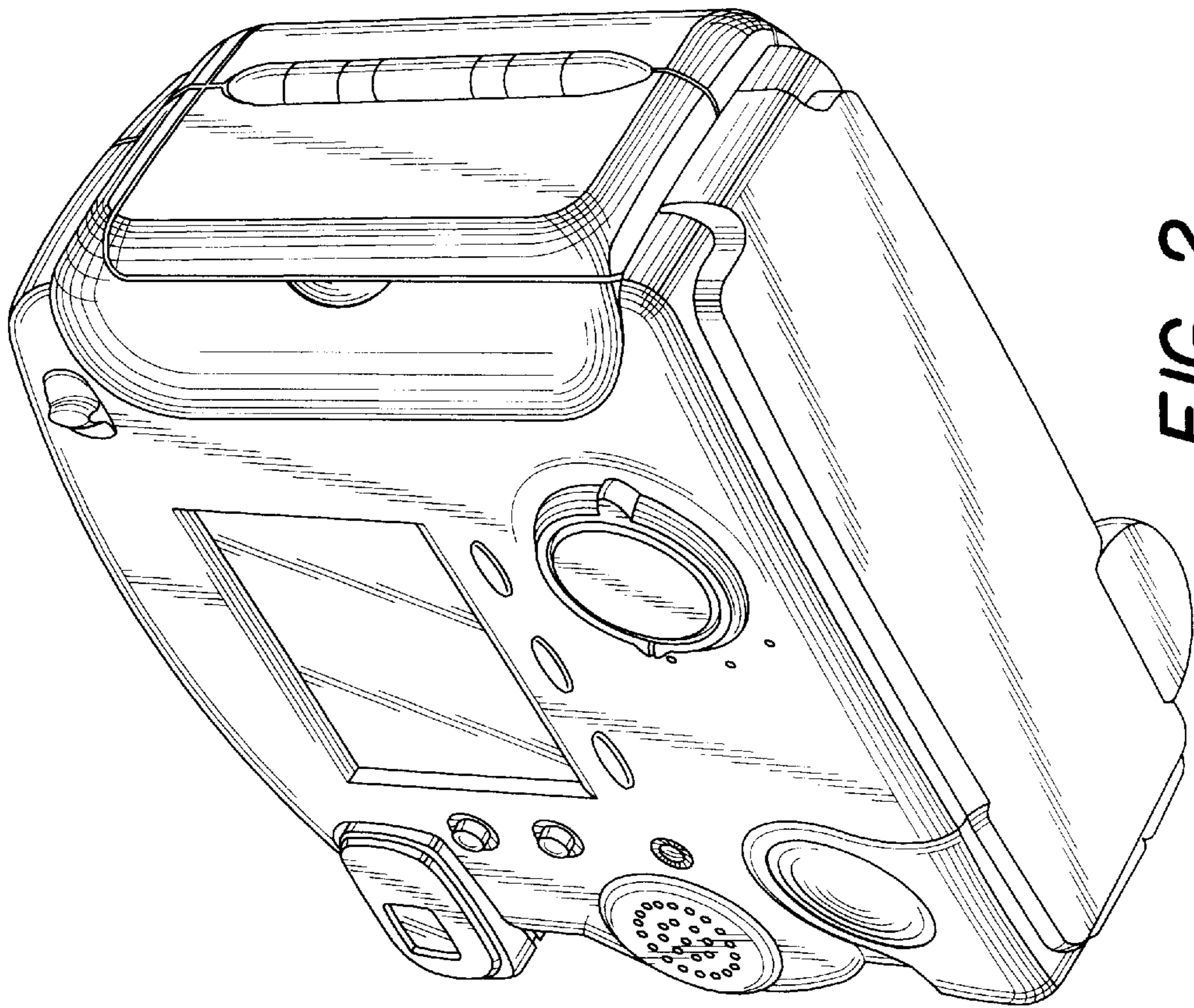


FIG. 2

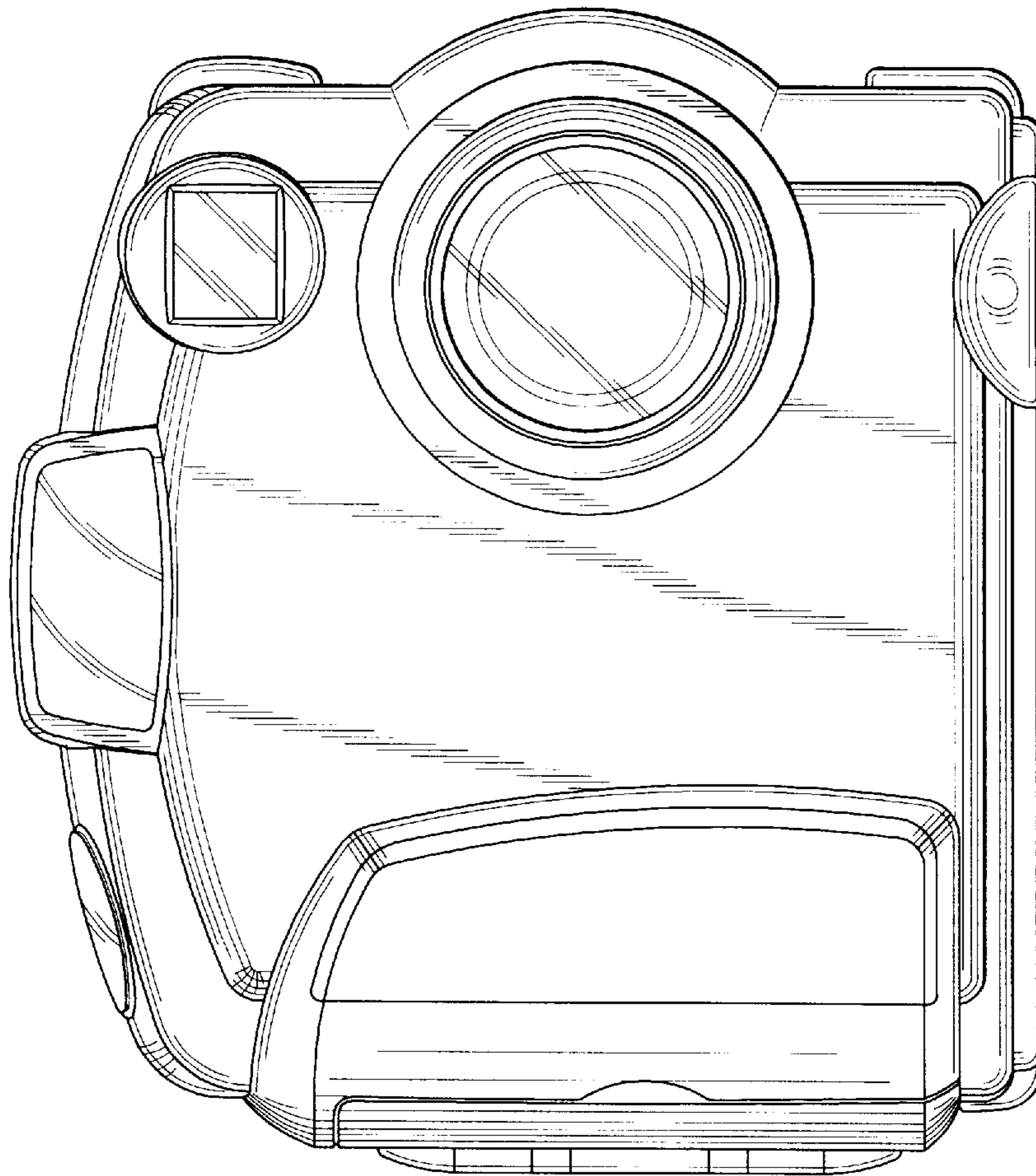


FIG. 3

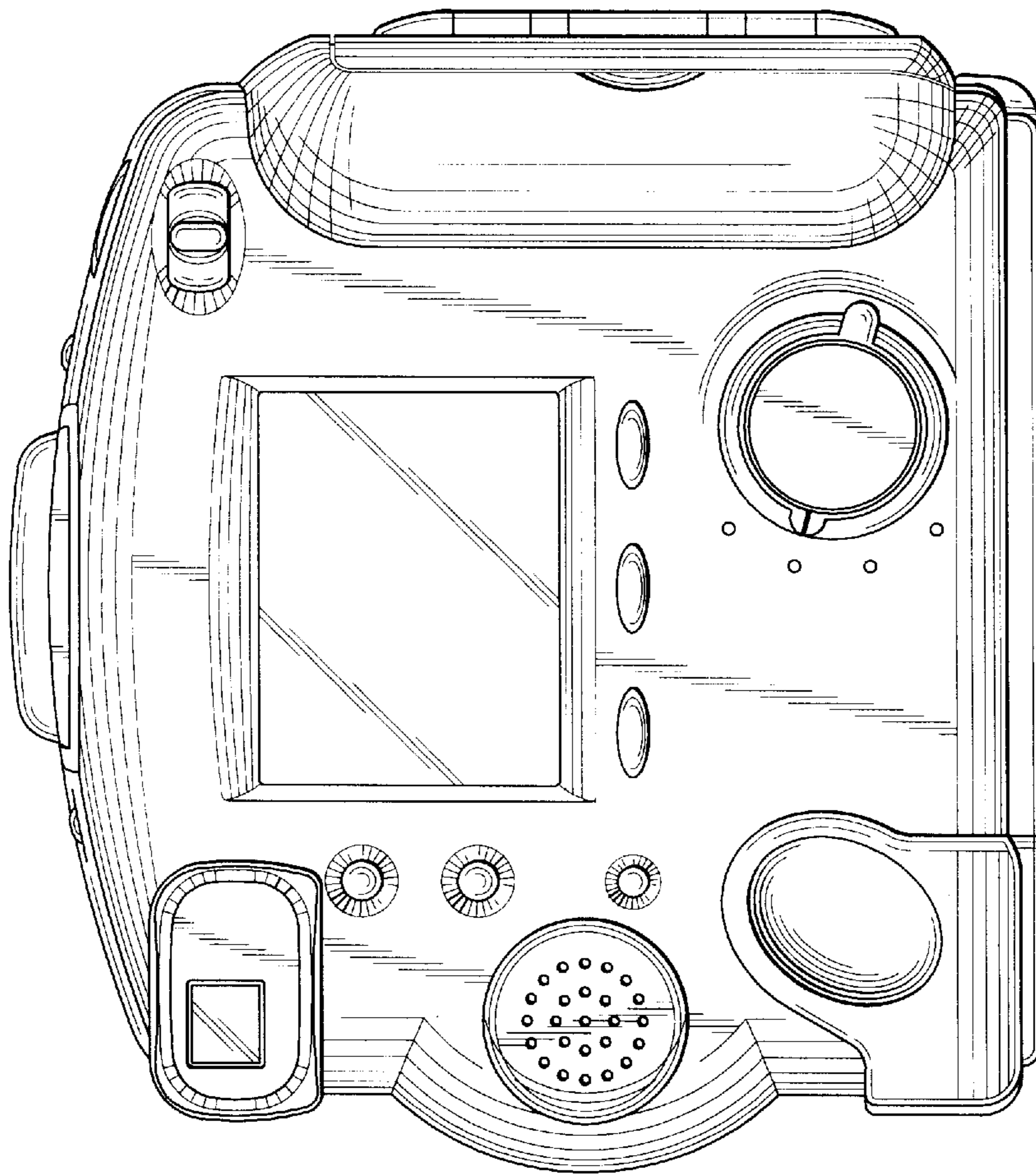


FIG. 4

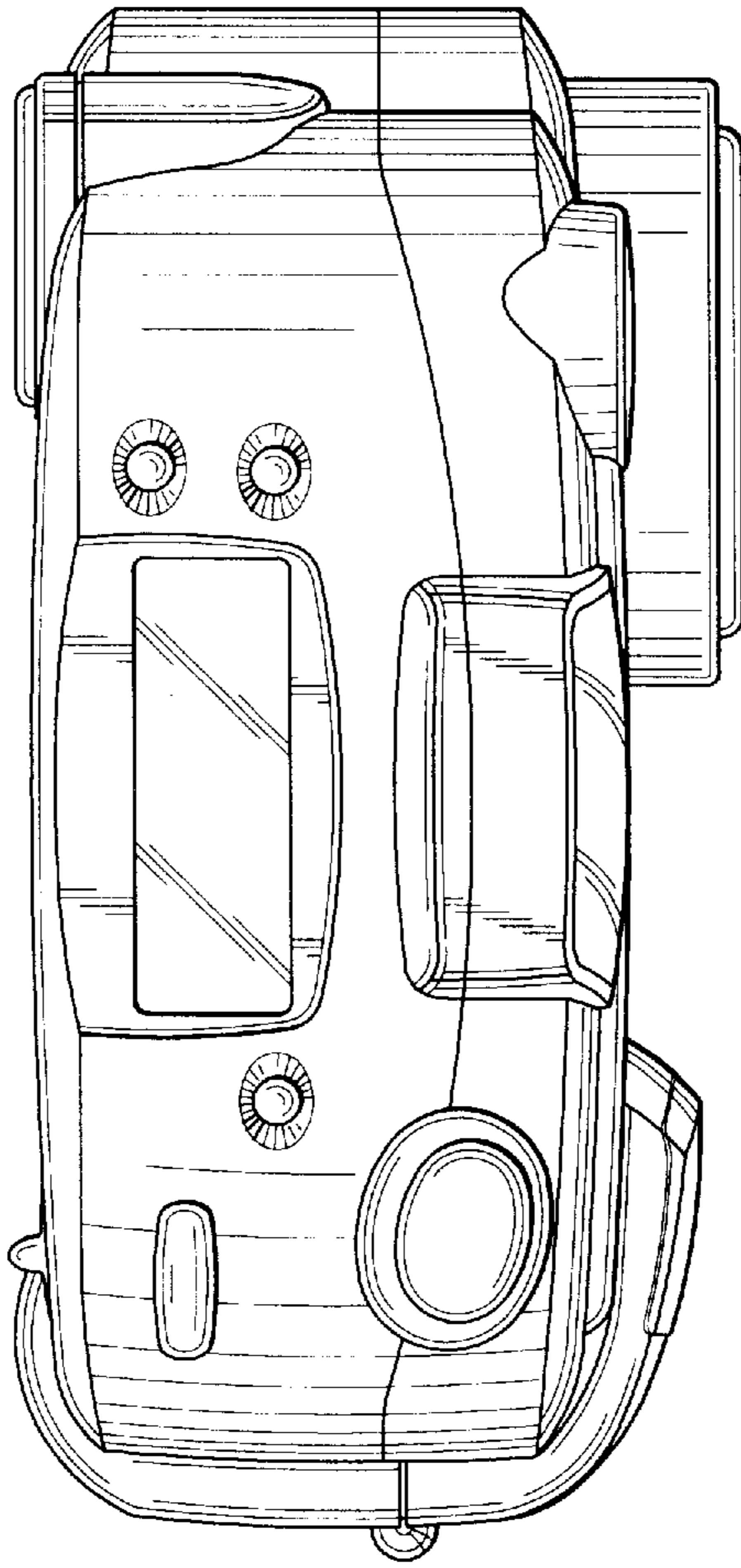


FIG. 5

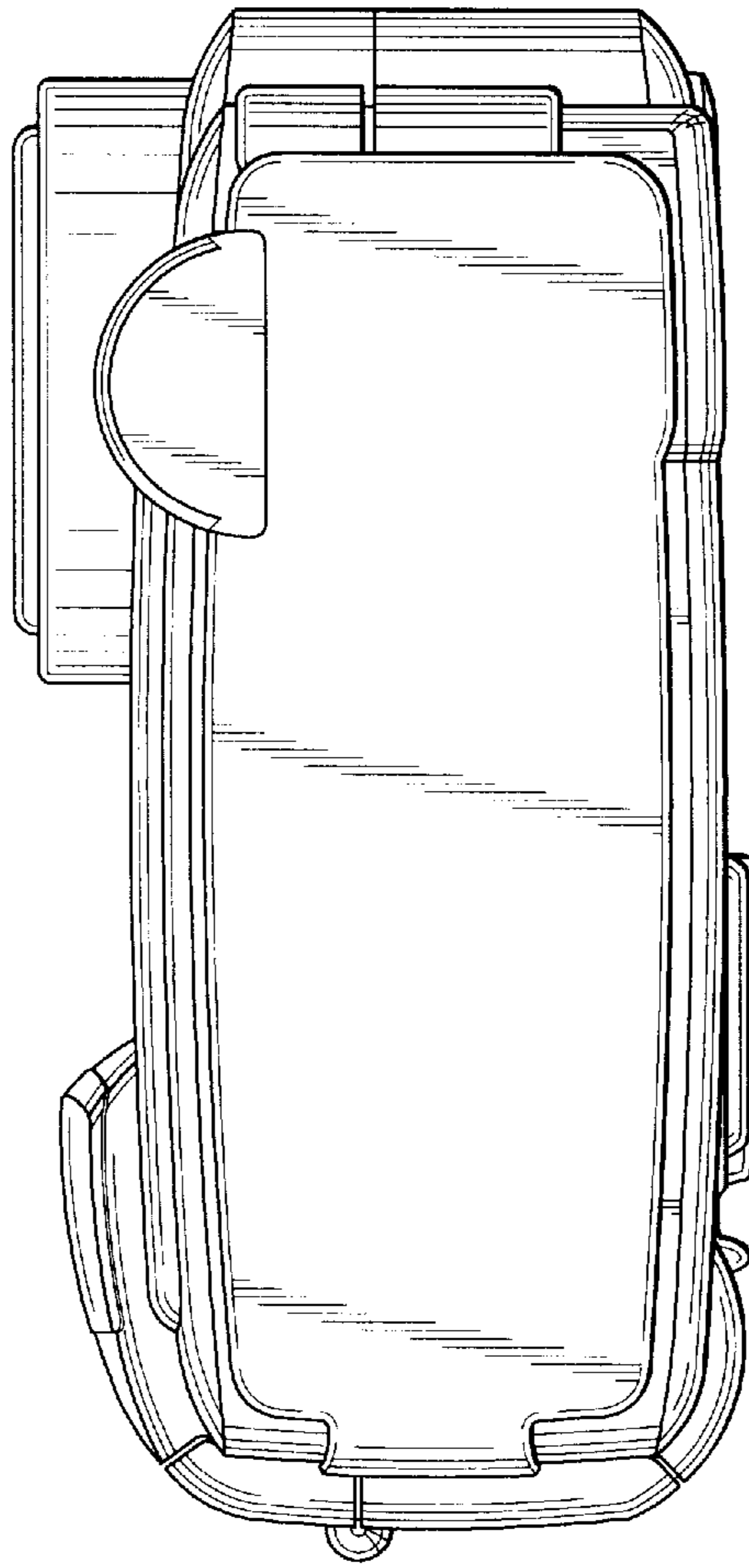


FIG. 6

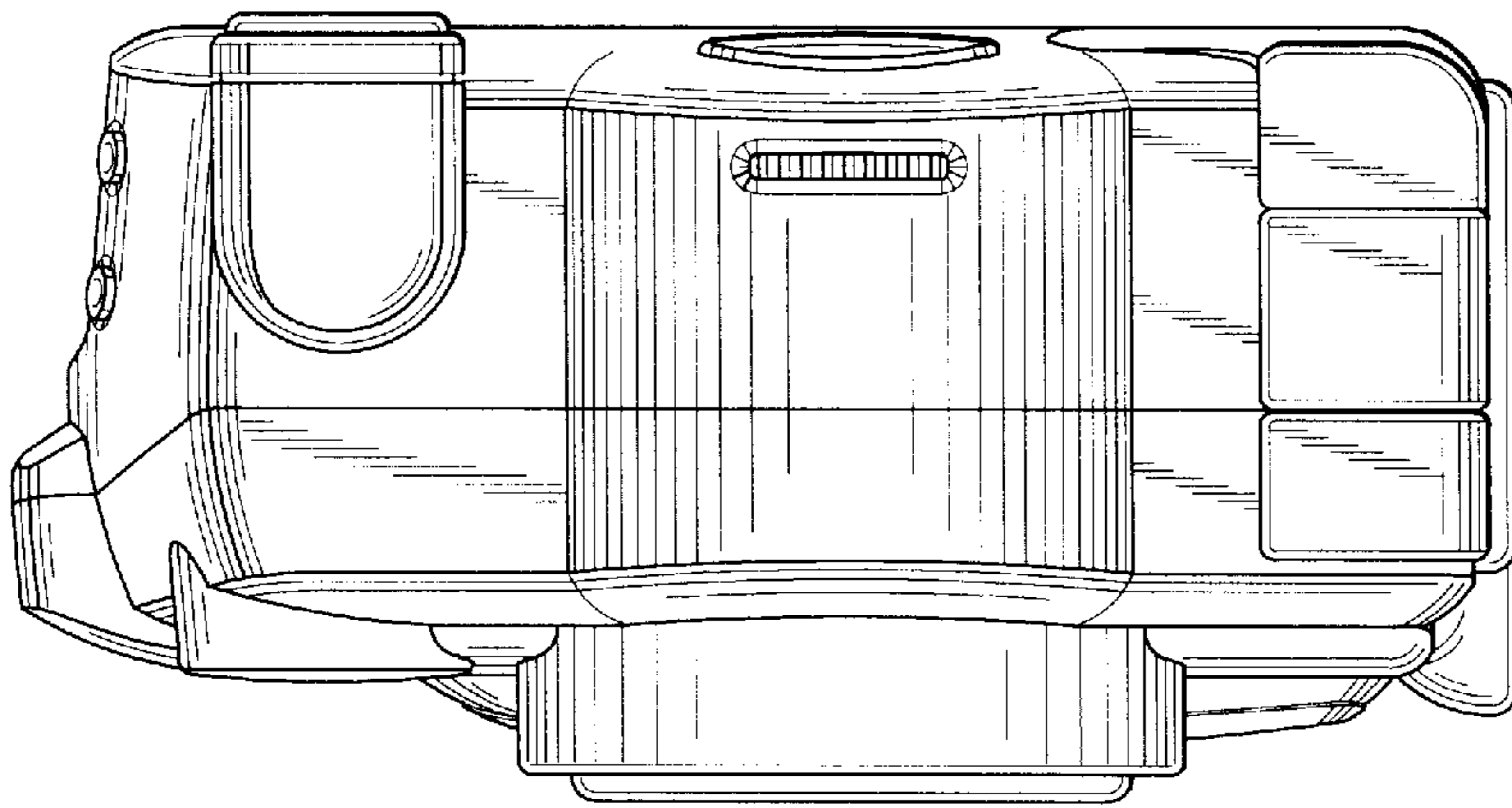
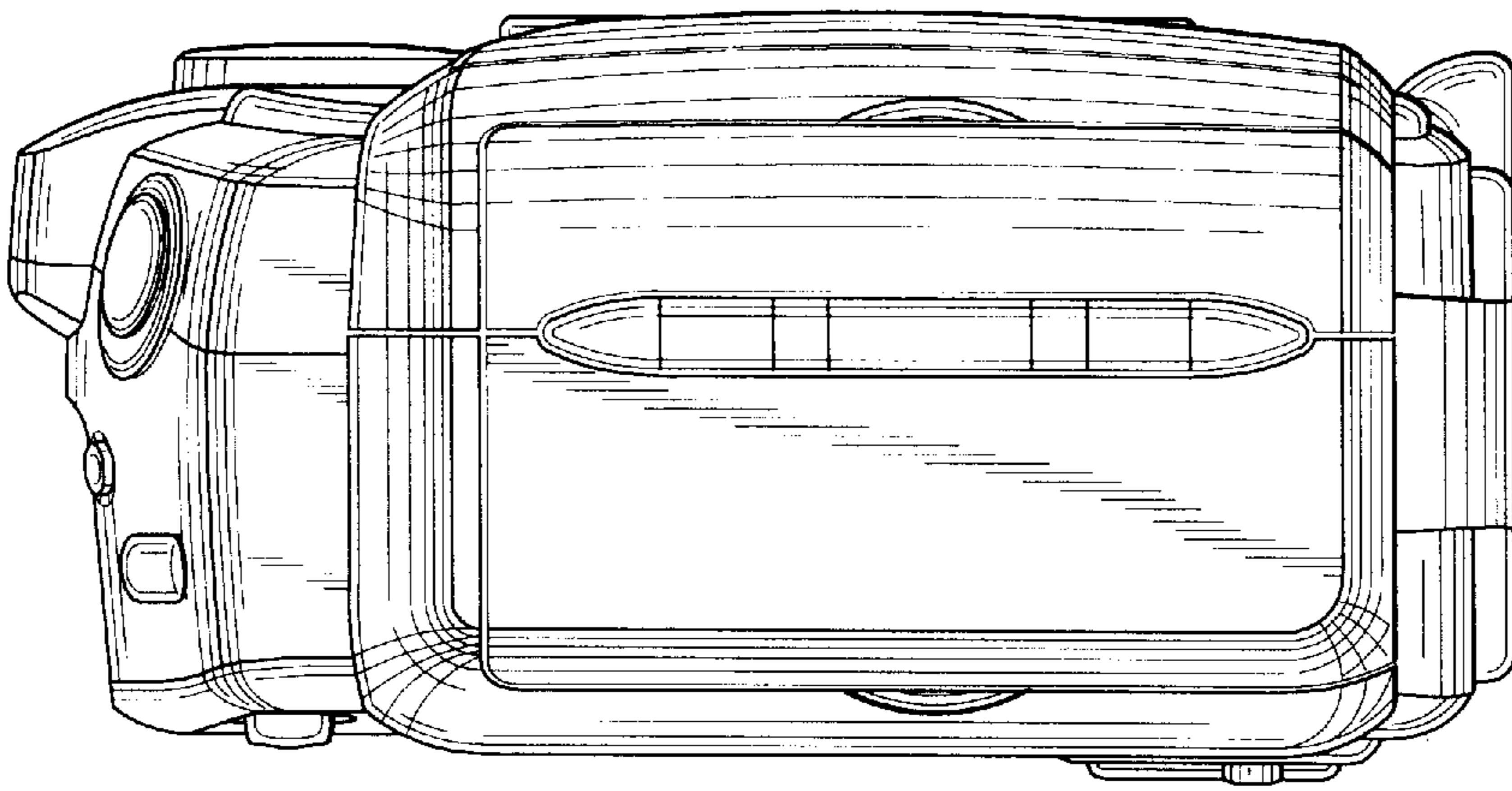


FIG. 7





*FIG. 8*

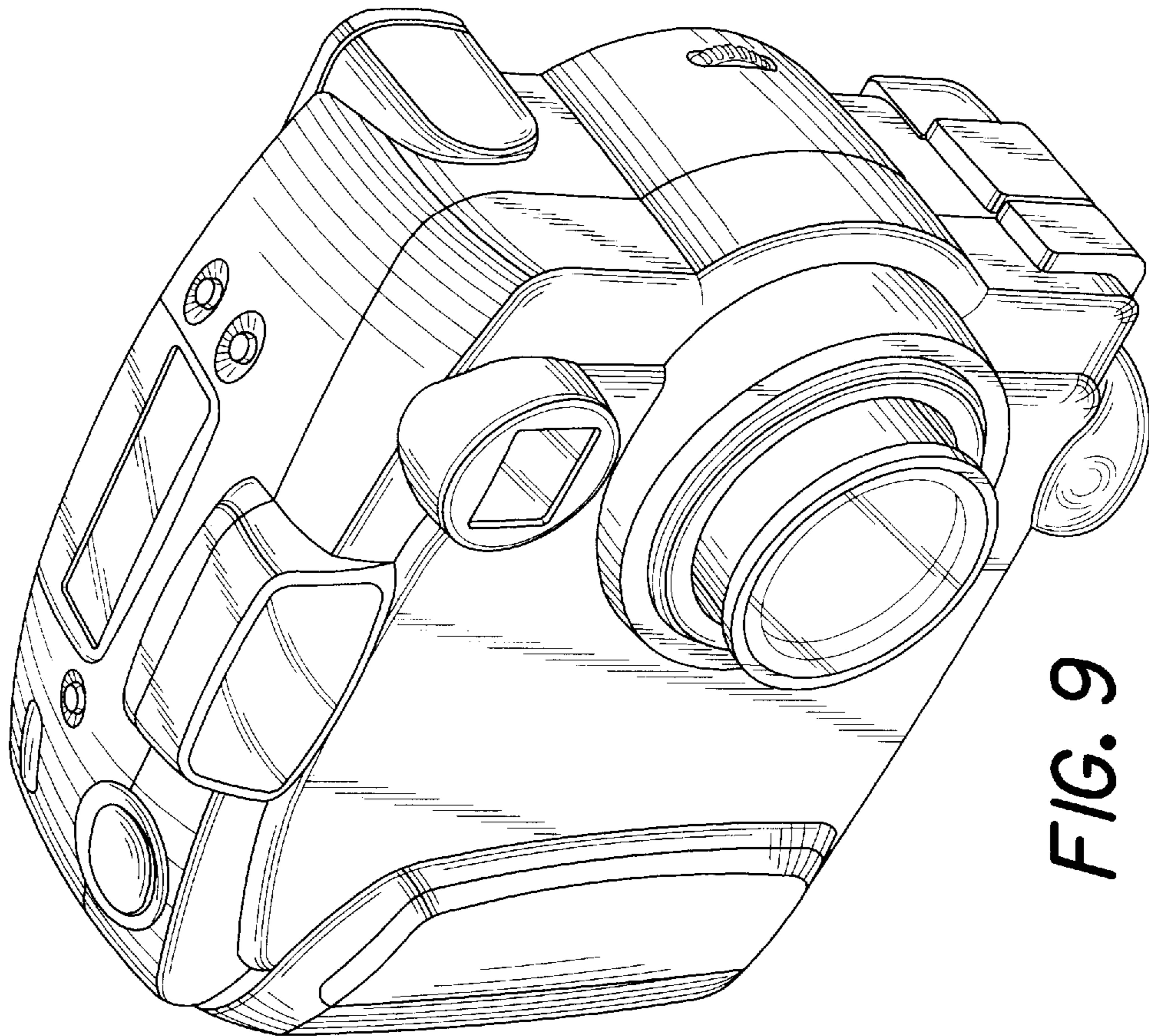


FIG. 9