



US00D406853S

United States Patent [19] Chan

[11] Patent Number: **Des. 406,853**

[45] Date of Patent: ****Mar. 16, 1999**

[54] **FOLDING MAGNIFIER WITH LIGHT**

[75] Inventor: **Yau Hon Chan**, New Territories, Hong Kong

[73] Assignee: **Polylink Hong Kong**, Kowloon Bay, Hong Kong

[**] Term: **14 Years**

[21] Appl. No.: **84,382**

[22] Filed: **Mar. 2, 1998**

[51] **LOC (6) Cl.** **16-06**

[52] **U.S. Cl.** **D16/135**

[58] **Field of Search** D16/130, 135;
26/44, 51; 359/798, 799, 742, 800, 801,
802, 804, 810; 362/157, 253, 109

[56] **References Cited**

U.S. PATENT DOCUMENTS

D. 196,452	10/1963	Burlin	D16/135
D. 236,028	7/1975	Schreader	D16/135
D. 269,184	5/1983	Tweedie	D16/135
D. 269,275	6/1983	Tweedie	D16/135
D. 298,634	11/1988	Yuen	D16/135
D. 336,655	6/1993	Lee	D16/135
D. 367,487	2/1996	Segan	D16/135

D. 372,924	8/1996	Fisherman	D16/135
D. 394,272	5/1998	Hon	D16/135
3,409,347	11/1968	Vogel	359/742 X
5,803,572	9/1998	Brada	362/109 X

OTHER PUBLICATIONS

Hong Kong Enterprise p. 575 bottom left, Feb. 1996.

Primary Examiner—Paula A. Mortimer
Attorney, Agent, or Firm—Nims, Howes, Collison, Hansen & Lackert

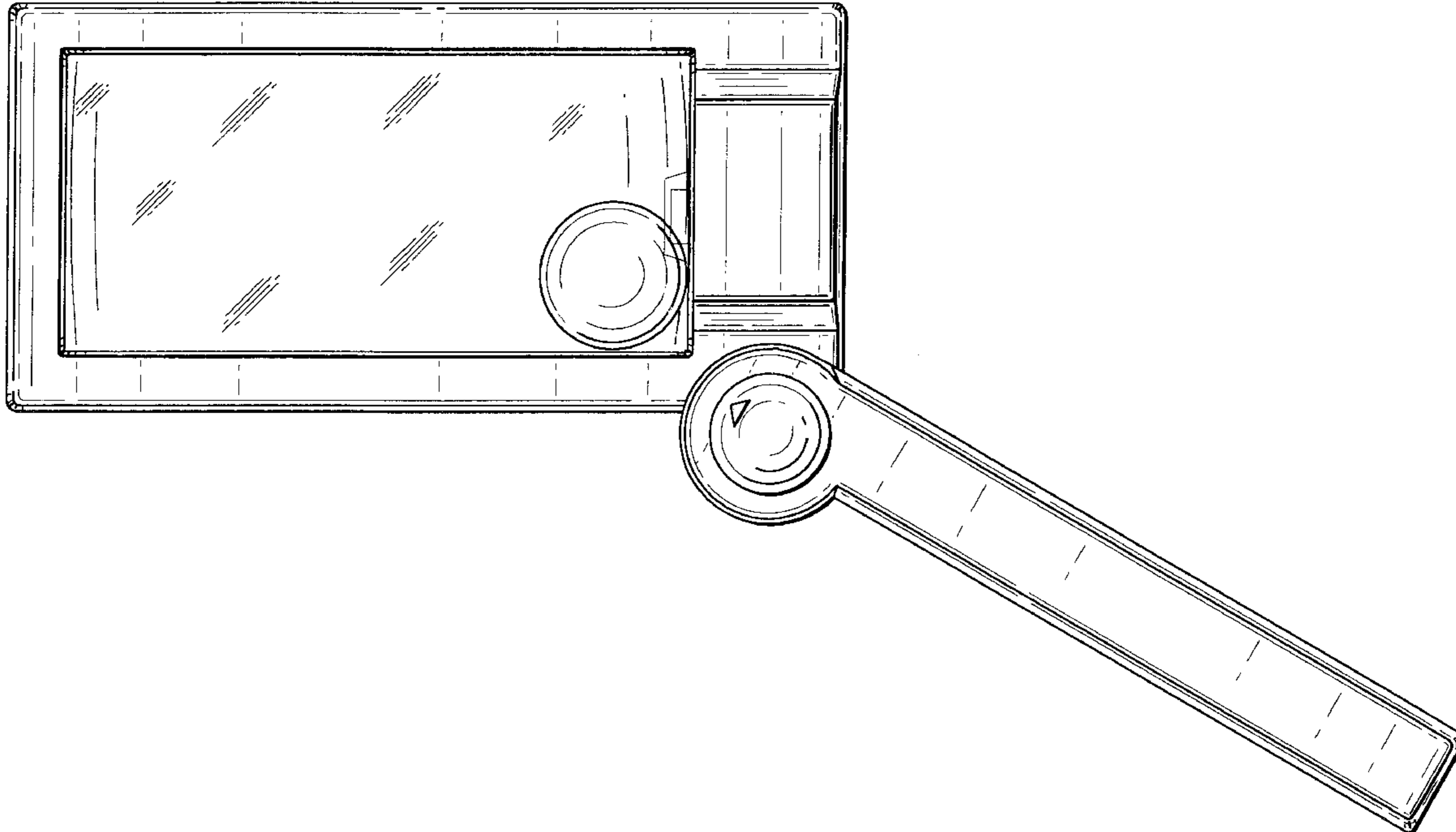
[57] **CLAIM**

The ornamental design for a folding magnifier with light, as shown and described.

DESCRIPTION

FIG. 1 is a top view of a folding magnifier with light, the magnifier in the folded position, showing my new design; FIG. 2 is a bottom view thereof; FIG. 3 is a front view thereof; FIG. 4 is a left side view thereof; FIG. 5 is a rear view thereof; FIG. 6 is a right side view thereof; FIG. 7 is a top view of the folding magnifier with light, with the magnifier in the unfolded position; and, FIG. 8 is a front thereof.

1 Claim, 3 Drawing Sheets



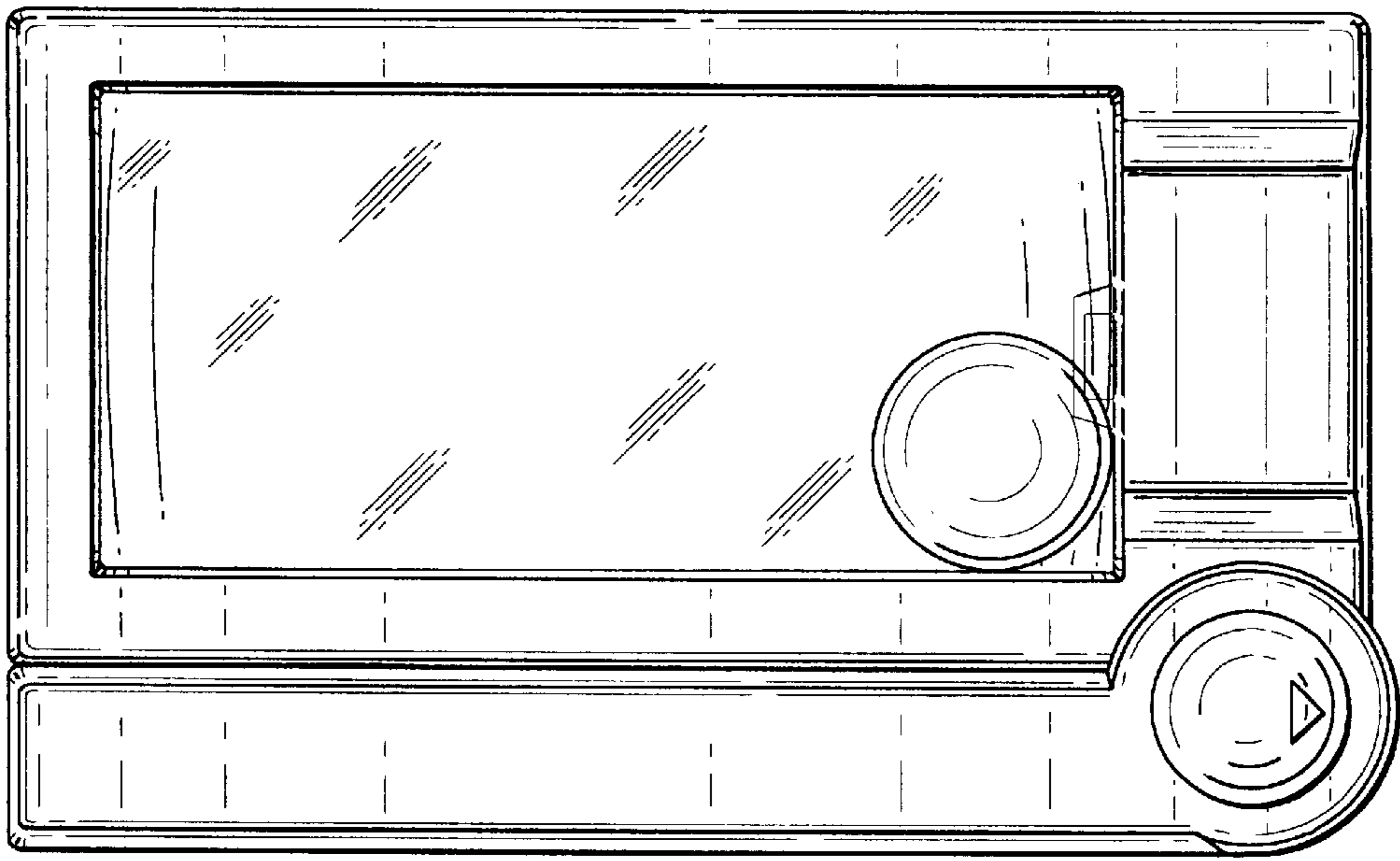


FIG. 1

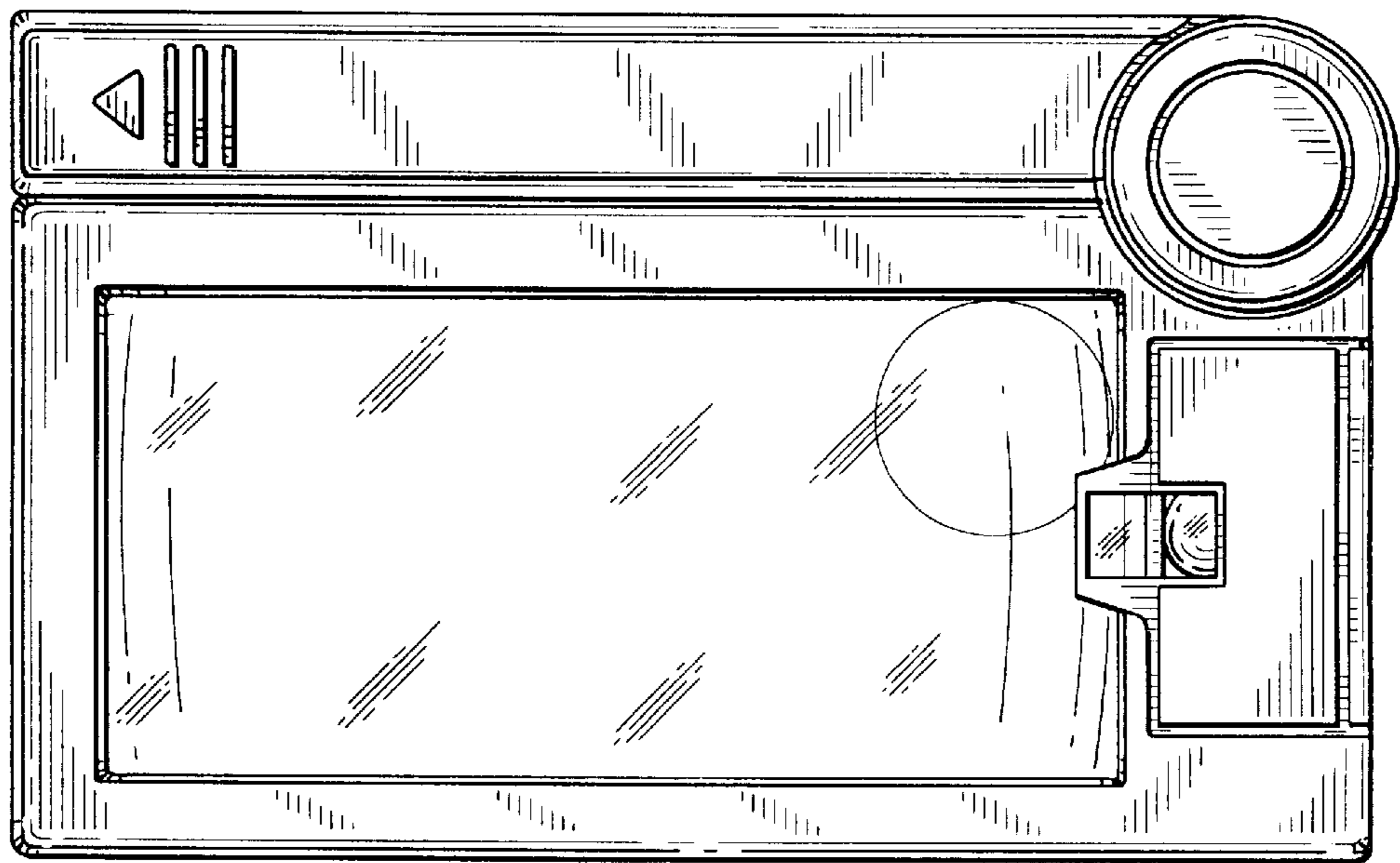


FIG. 2

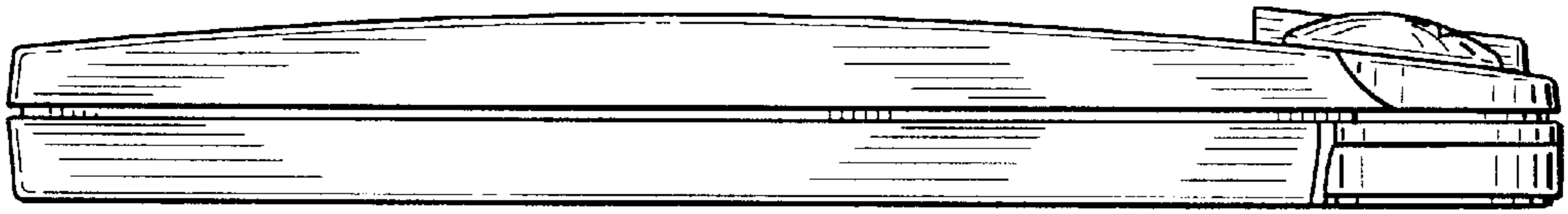


FIG. 3

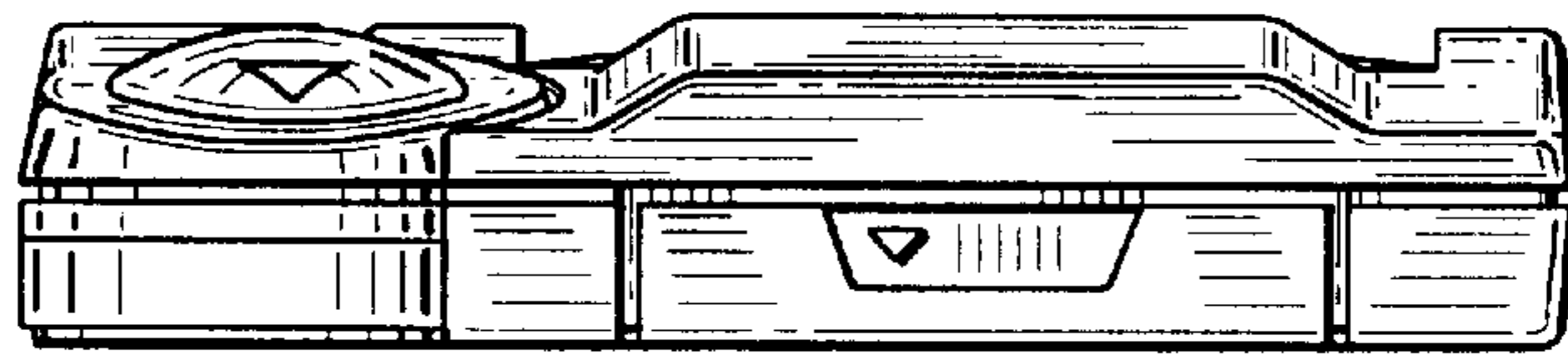


FIG. 4



FIG. 6

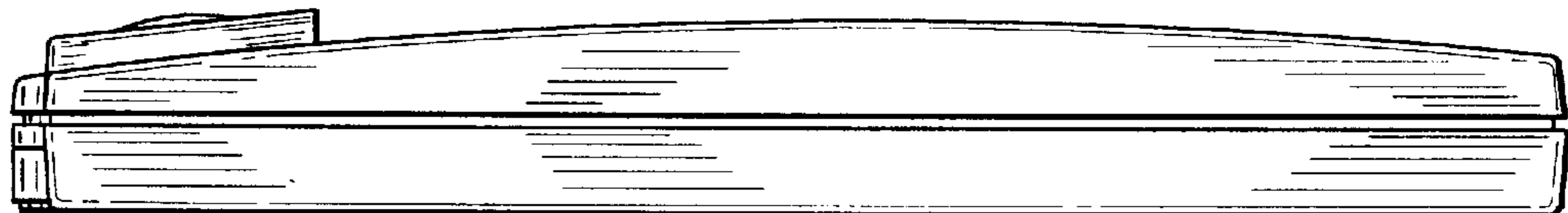


FIG. 5

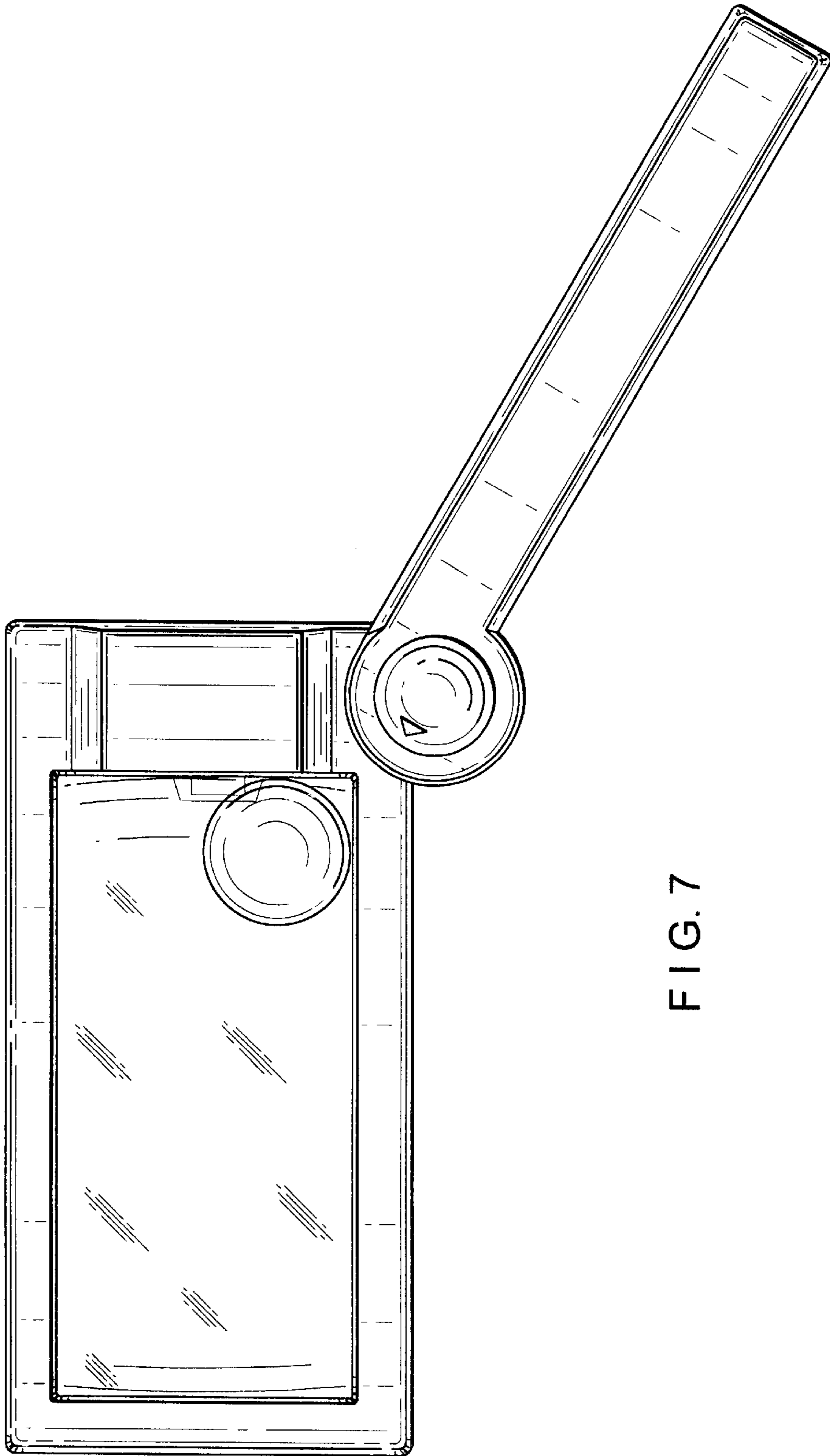


FIG. 7

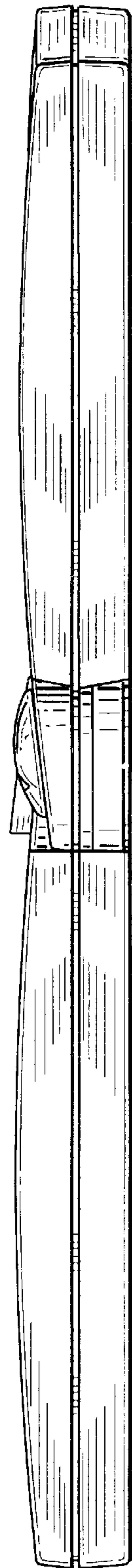


FIG. 8