



US00D406848S

United States Patent [19]
Salmi

[11] **Patent Number: Des. 406,848**

[45] **Date of Patent: **Mar. 16, 1999**

[54] **ACCESSORY MODULE FOR A MOBILE TELEPHONE**

[75] Inventor: **Pertti Salmi**, Oulu, Finland

[73] Assignee: **Nokia Mobile Phones Limited**, Espoo, Finland

[**] Term: **14 Years**

[21] Appl. No.: **75,605**

[22] Filed: **Sep. 3, 1997**

[51] **LOC (6) Cl.** **14-03**

[52] **U.S. Cl.** **D14/240**

[58] **Field of Search** D14/137, 138, D14/140, 240, 256, 217, 242; D13/107, 108, 133; 379/419, 420, 428, 440-443; 455/550-575, 90, 347

[56] **References Cited**

U.S. PATENT DOCUMENTS

- D. 328,056 7/1992 Wantabe et al. D13/108
- D. 346,580 5/1994 Tattari D14/240
- D. 368,267 3/1996 Rak et al. D14/242

- D. 390,848 2/1998 Santee D14/240
- 5,517,683 5/1996 Cullett et al. 455/575
- 5,535,274 7/1996 Braltberg et al. 379/446
- 5,745,579 4/1998 Newman 379/441 X
- 5,787,361 7/1998 Chen 455/550

Primary Examiner—Jeffrey Asch
Attorney, Agent, or Firm—Perman & Green, LLP

[57] **CLAIM**

The ornamental design of an accessory module for a mobile telephone, as shown and described.

DESCRIPTION

FIG. 1 is a bottom plan view showing my new design; FIG. 2 is a right side elevational view thereof; FIG. 3 is a rear elevational view thereof; FIG. 4 is a left side elevational view thereof; FIG. 5 is a front elevational view thereof; FIG. 6 is a top side elevational view thereof; FIG. 7 is a top, rear and right side perspective view thereof; and, FIG. 8 is a bottom, front and left side perspective view thereof.

1 Claim, 3 Drawing Sheets

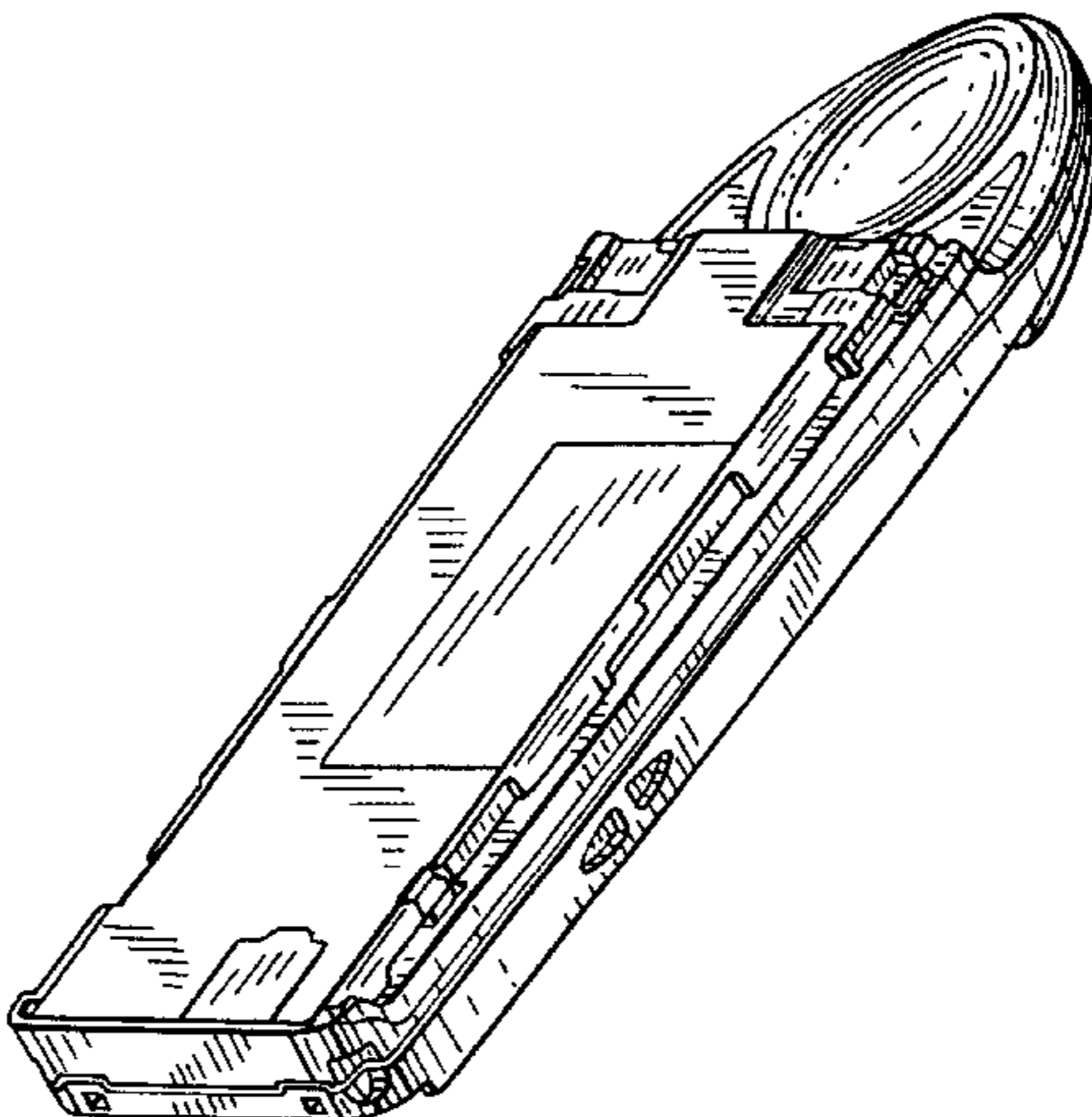
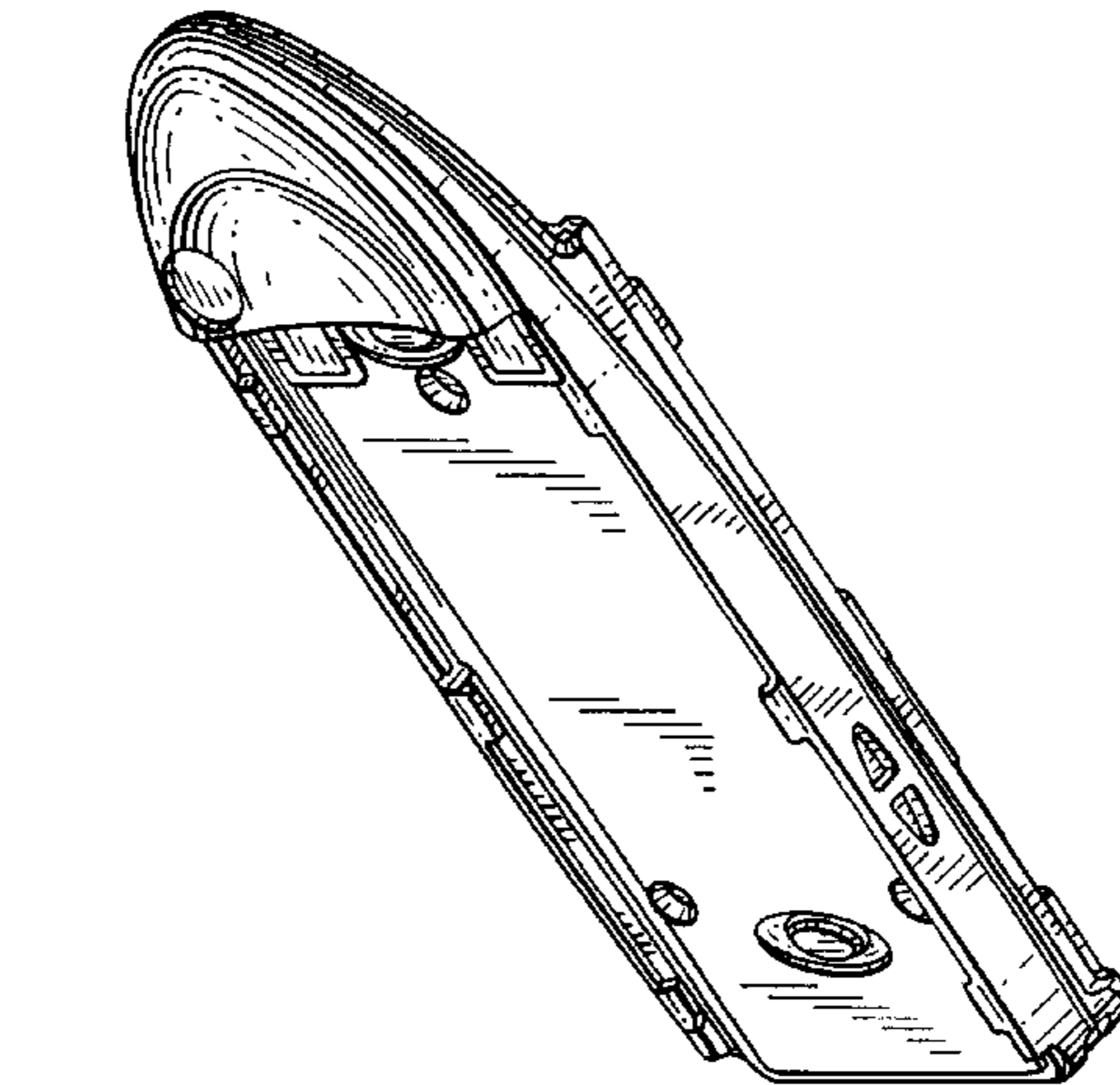


FIG. 1

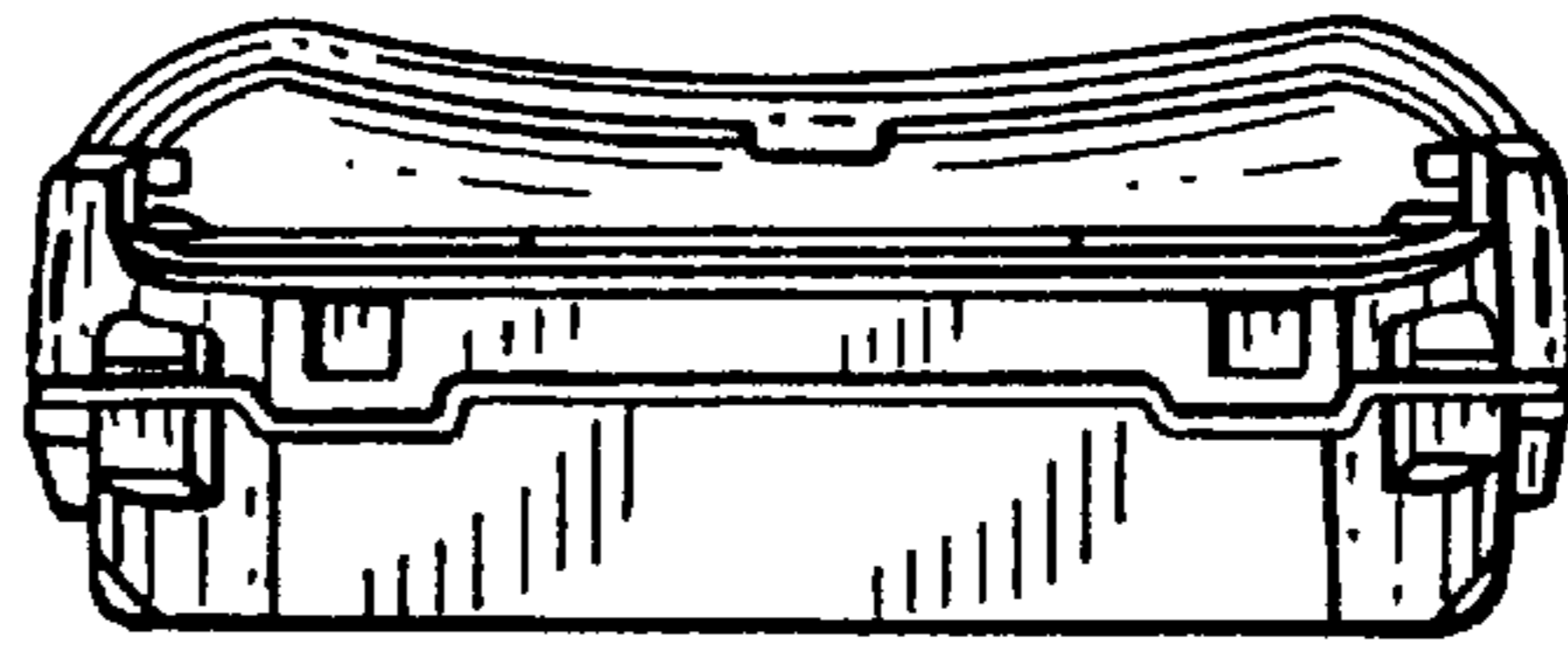


FIG. 2

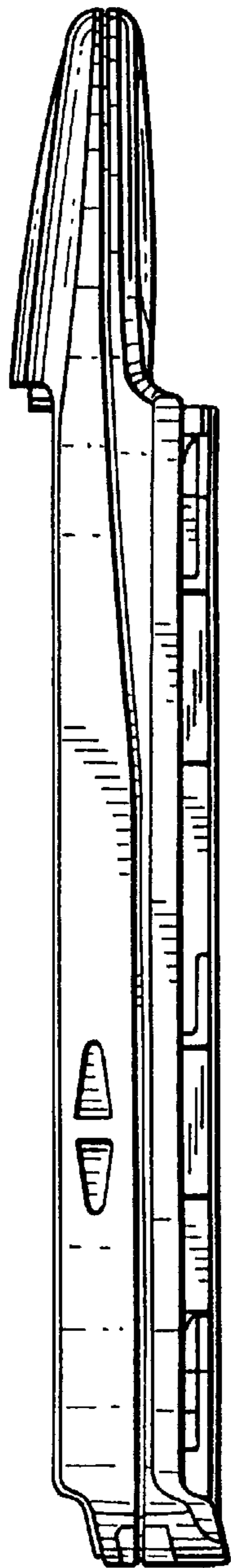


FIG. 3

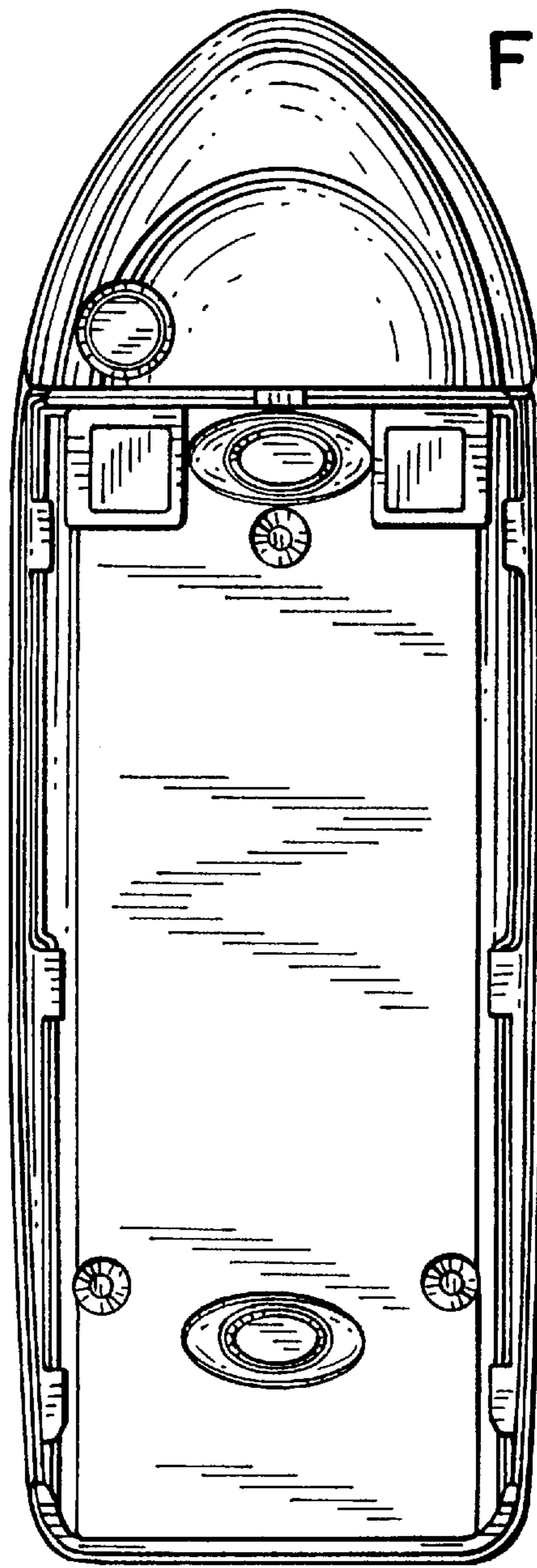


FIG. 4

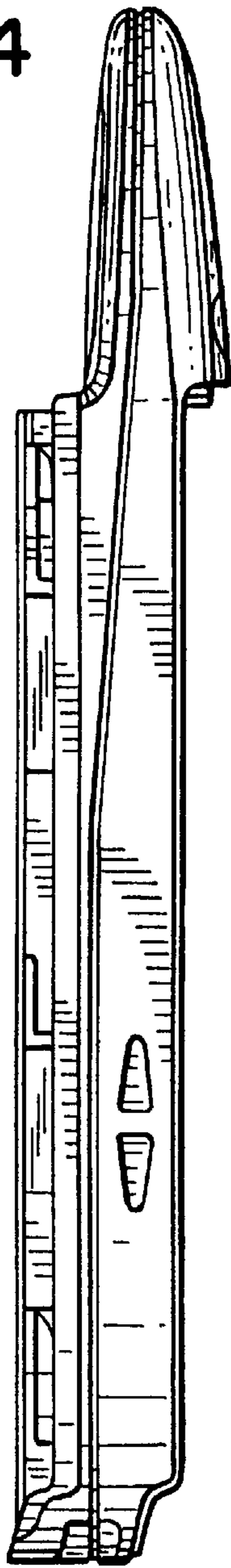


FIG. 5

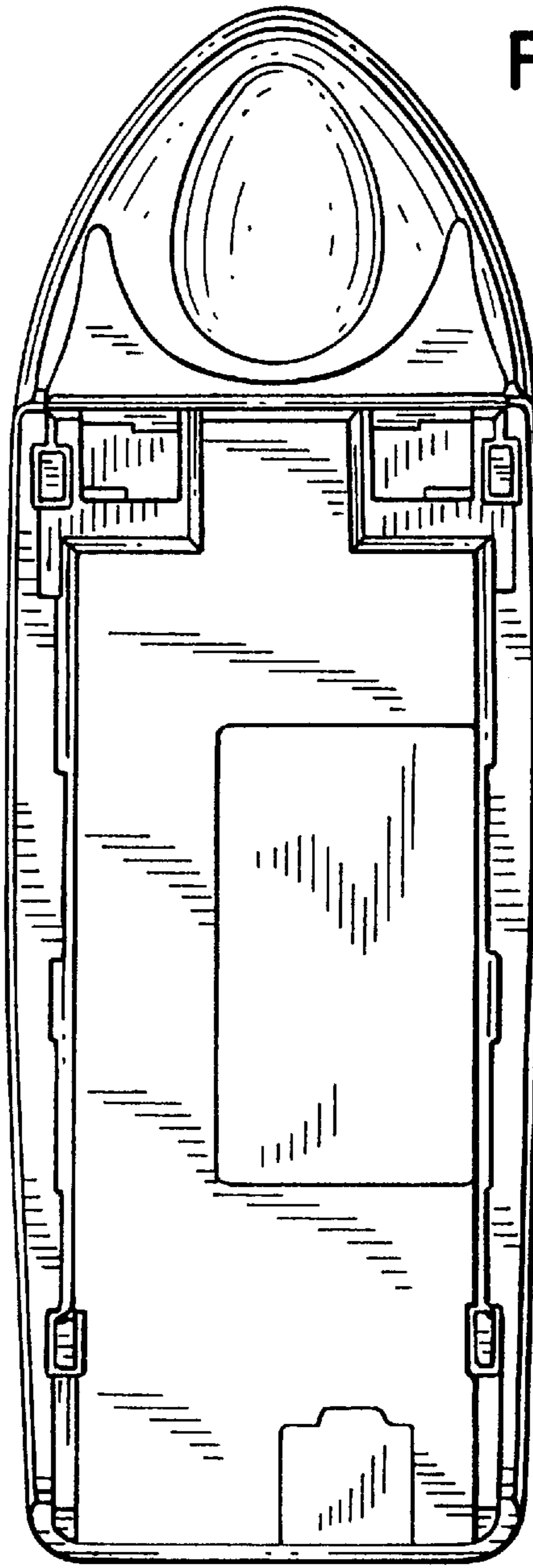
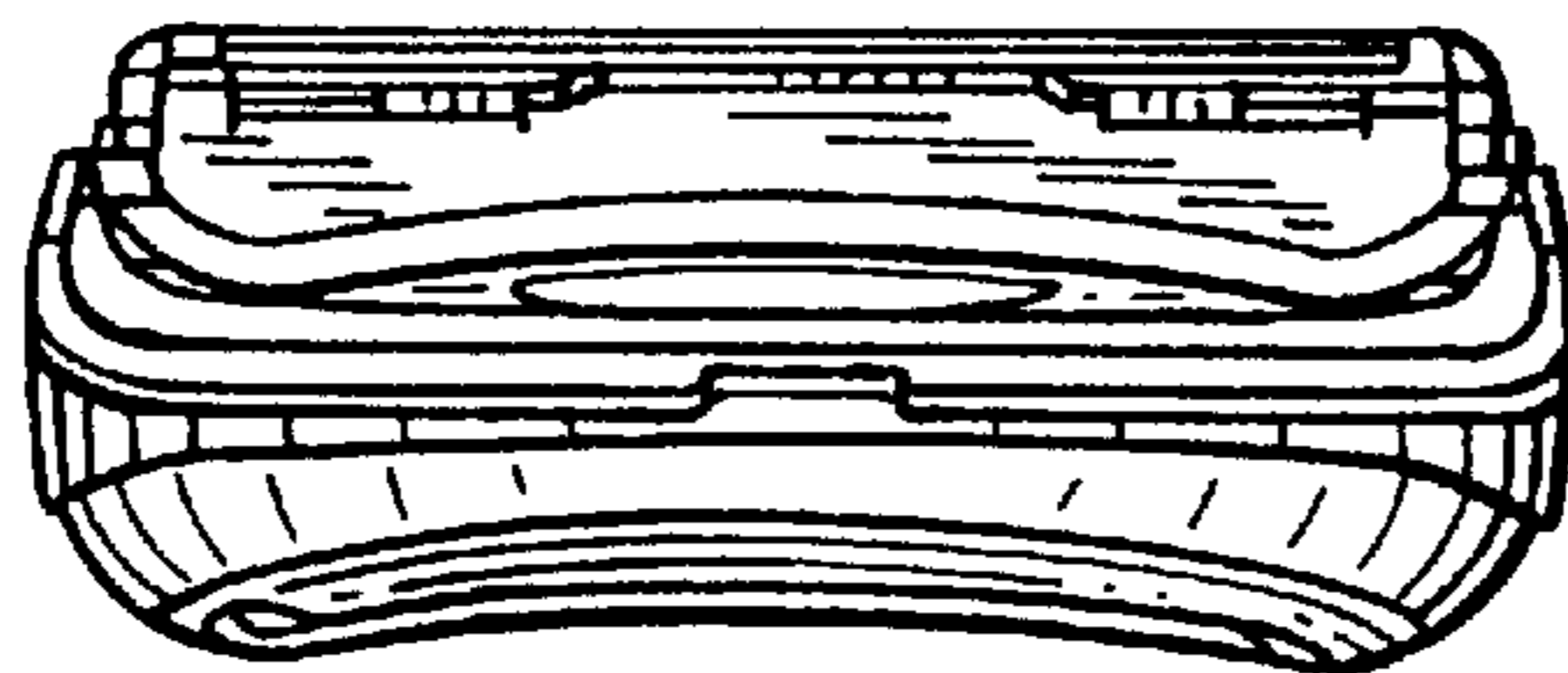


FIG. 6



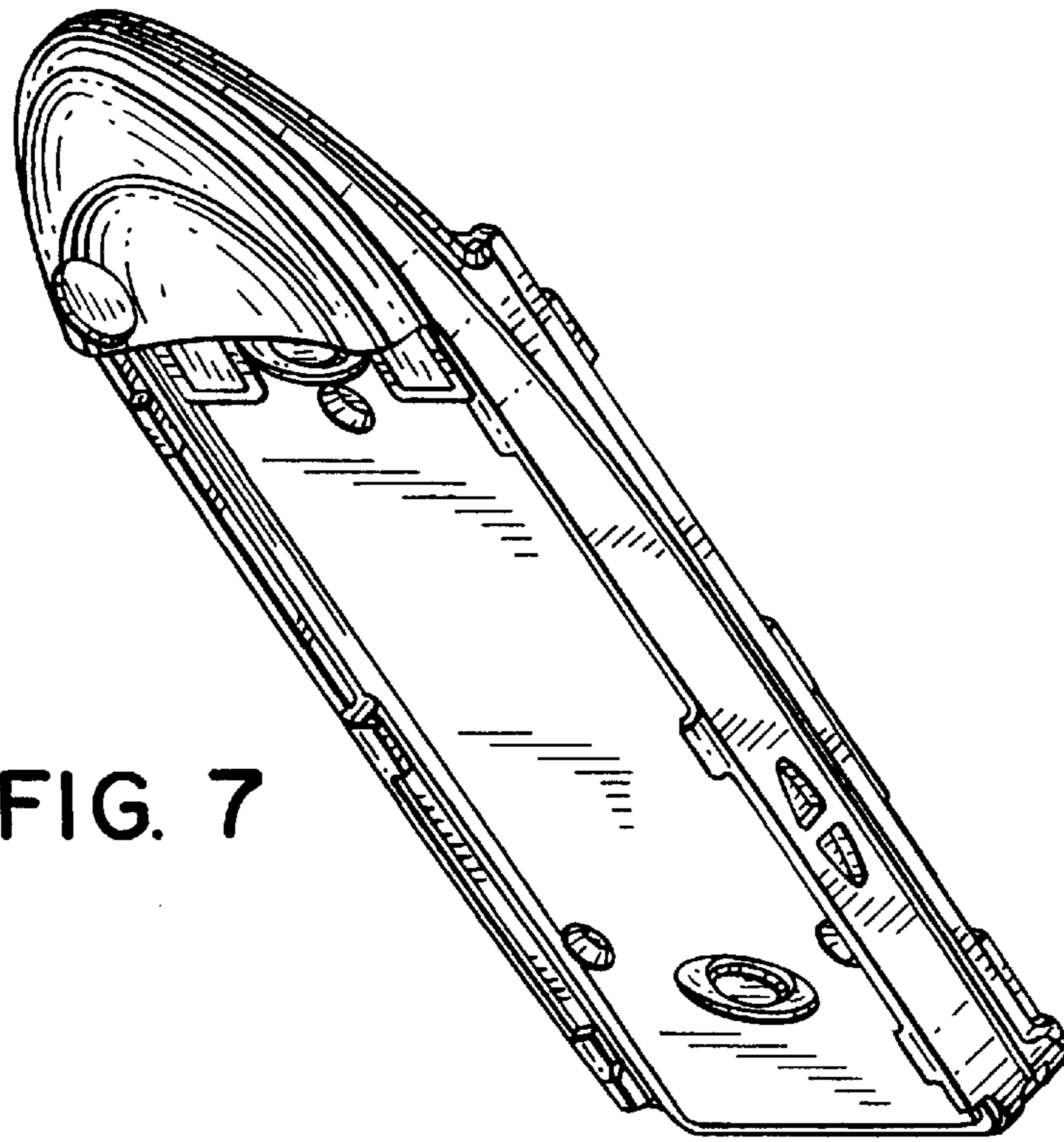


FIG. 7

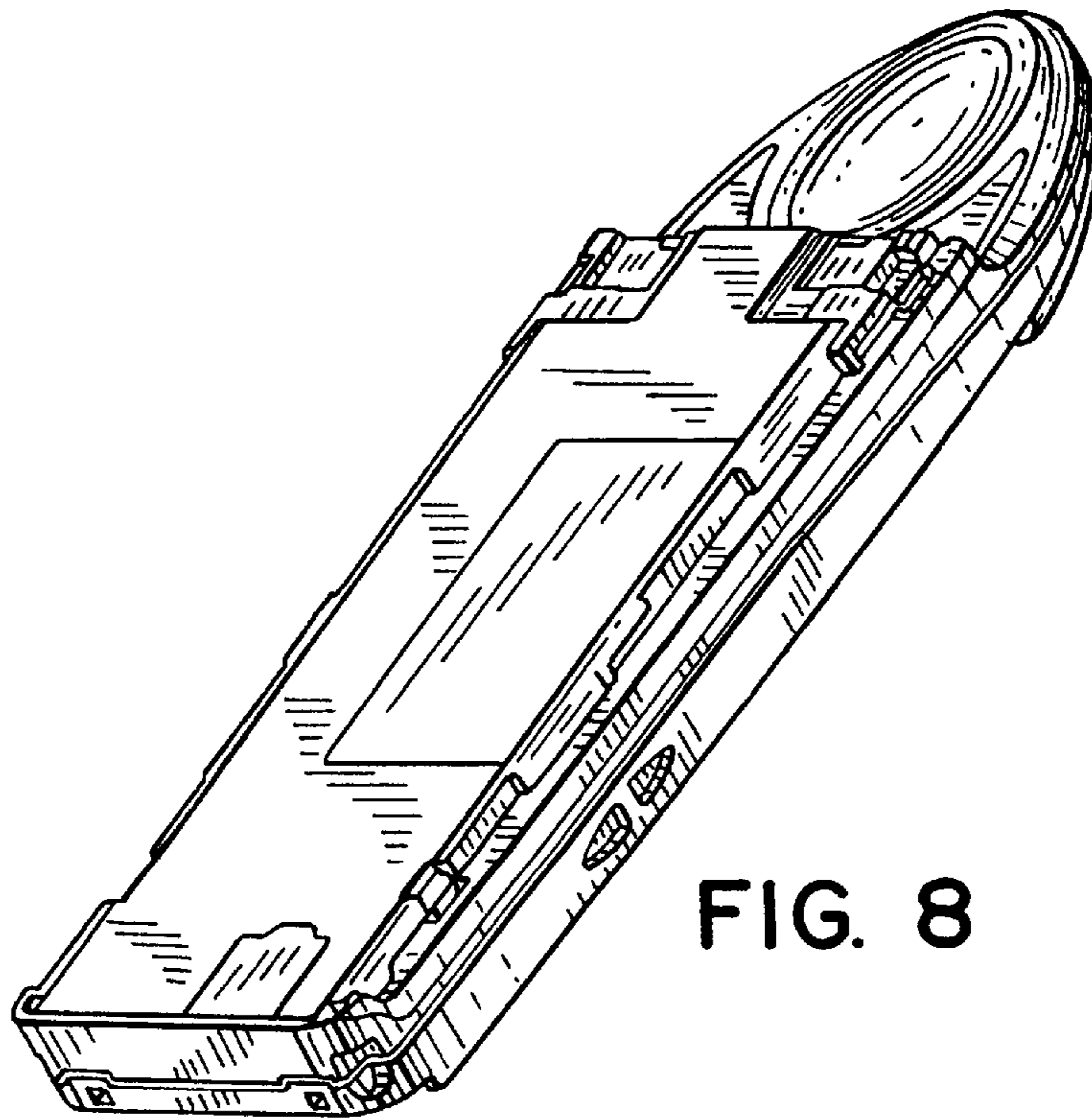


FIG. 8