



US00D406843S

United States Patent [19]
Zeitman

[11] **Patent Number: Des. 406,843**

[45] **Date of Patent: **Mar. 16, 1999**

[54] **COMBINED RADIO AND CASSETTE
PLAYER**

D. 376,801 12/1996 Hanig et al. D14/171
D. 378,590 3/1997 Zeitman D14/165

[75] Inventor: **Josh Zeitman**, Brooklyn, N.Y.

Primary Examiner—Ted Shooman
Assistant Examiner—Nanda Bondade

[73] Assignee: **Lenox Electronics Corp.**, Brooklyn,
N.Y.

Attorney, Agent, or Firm—Burns, Doane, Swecker &
Mathis, L.L.P.

[**] Term: **14 Years**

[57] **CLAIM**

[21] Appl. No.: **91,105**

The ornamental design for a combined radio and cassette
player, as shown and described.

[22] Filed: **Jul. 22, 1998**

DESCRIPTION

[51] **LOC (6) Cl.** **14-01**

[52] **U.S. Cl.** **D14/162; D14/168**

[58] **Field of Search** D14/124, 160-165,
D14/167-168, 188, 193-198, 171; 455/344,
347, 350

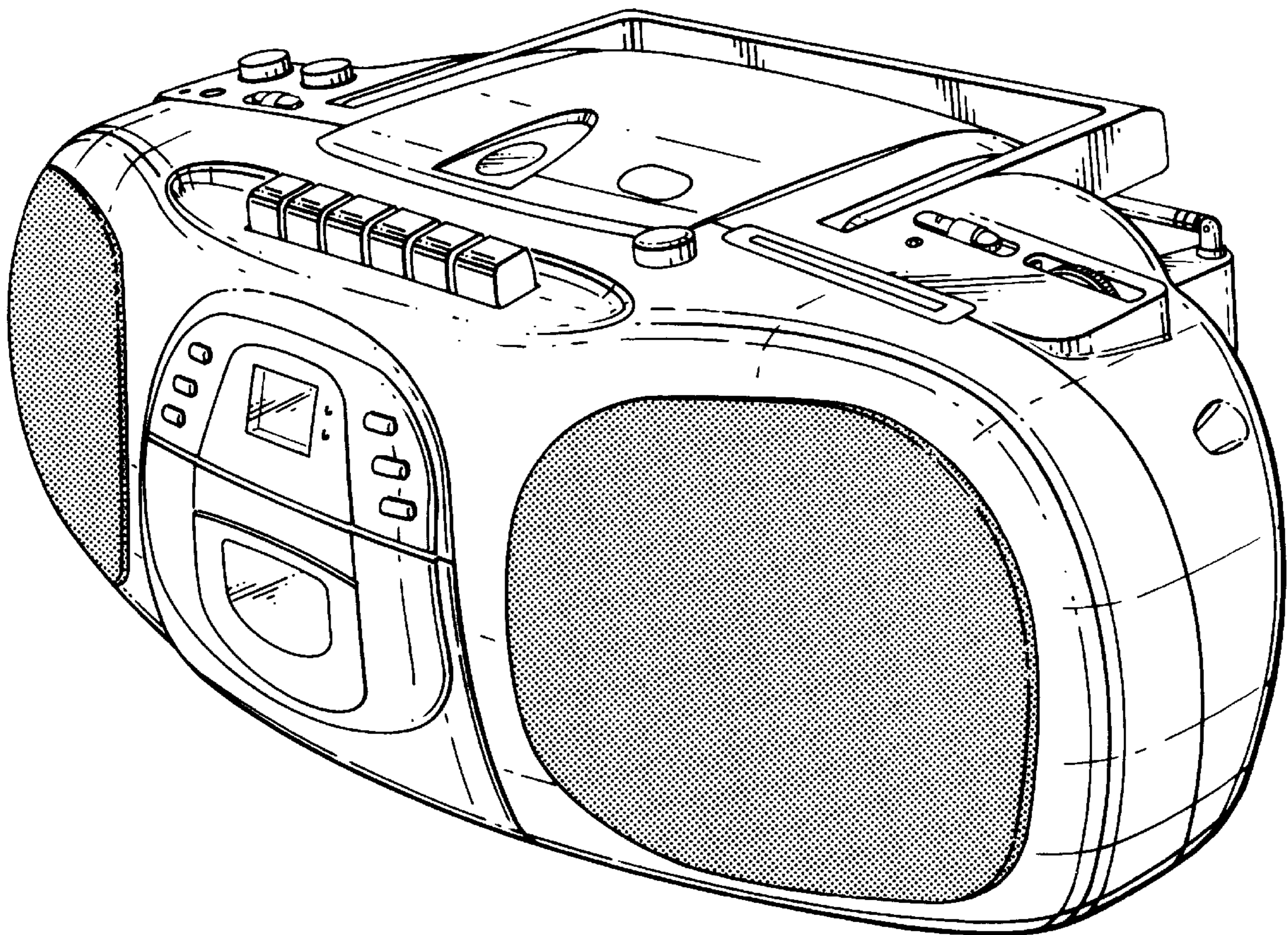
FIG. 1 is a perspective view of a combined radio and cassette
player showing my design;
FIG. 2 is a front view thereof;
FIG. 3 is a rear view thereof;
FIG. 4 is a top plan view thereof;
FIG. 5 is a bottom view thereof;
FIG. 6 is a right side view thereof; and,
FIG. 7 is a left side elevational view thereof.

[56] **References Cited**

U.S. PATENT DOCUMENTS

D. 329,852 9/1992 Lee D14/168 X
D. 367,053 2/1996 Ogasawara et al. D14/165 X

1 Claim, 6 Drawing Sheets



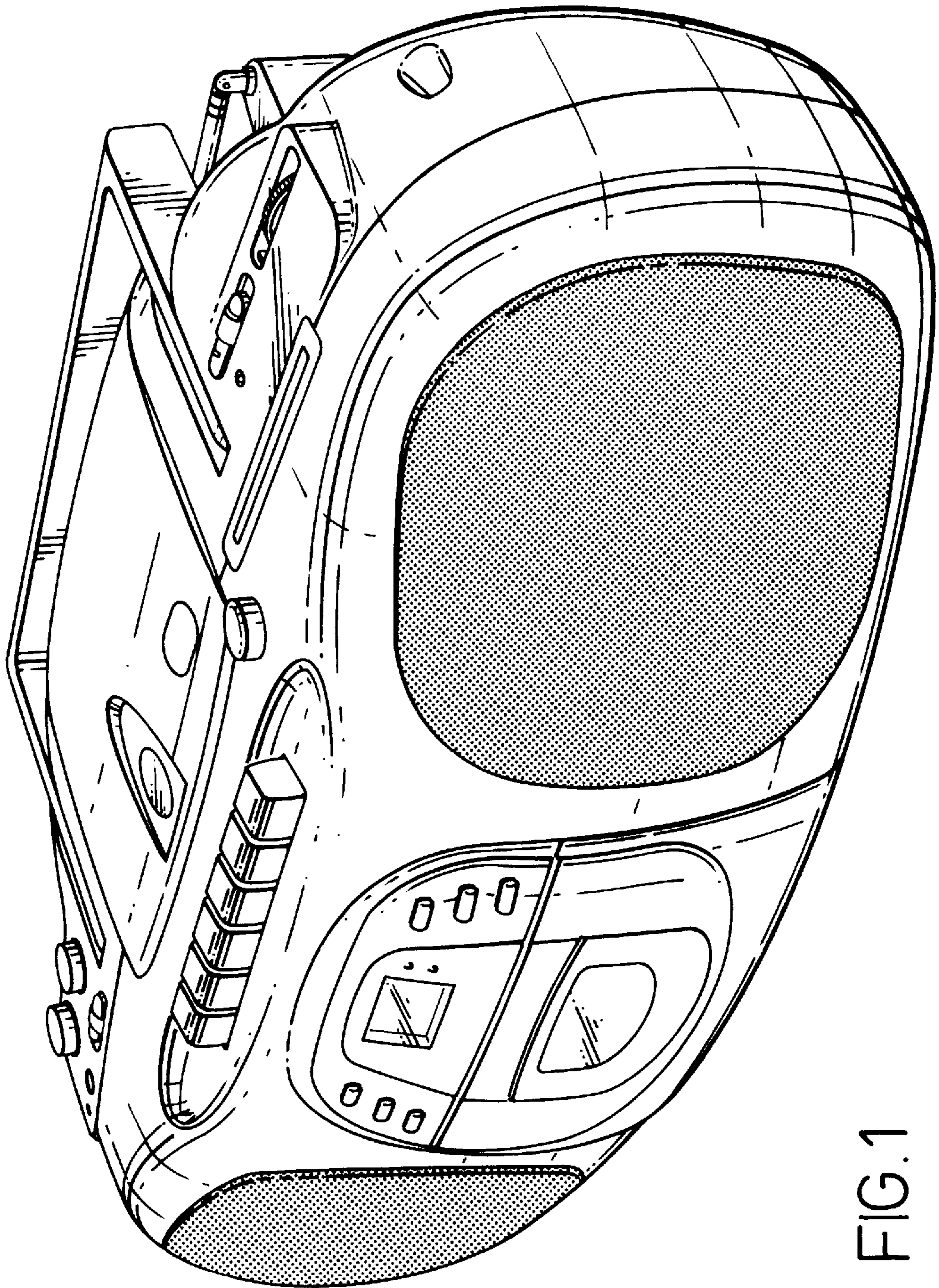


FIG.1

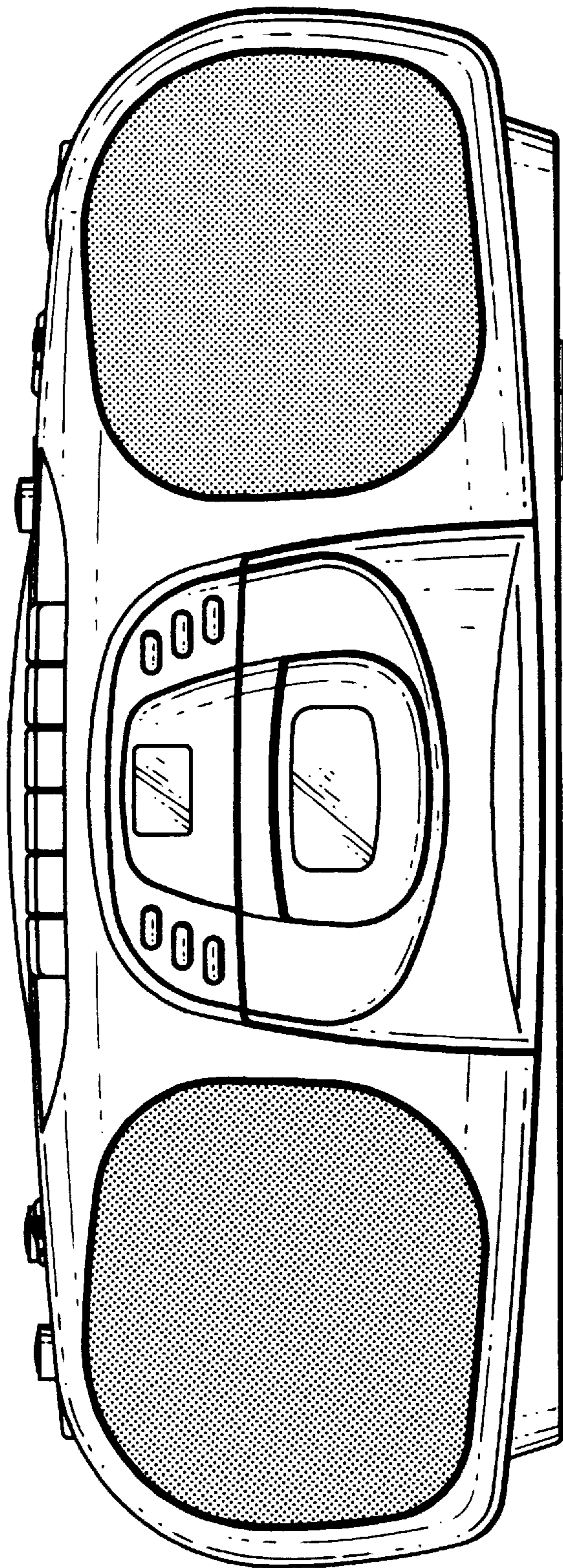


FIG. 2

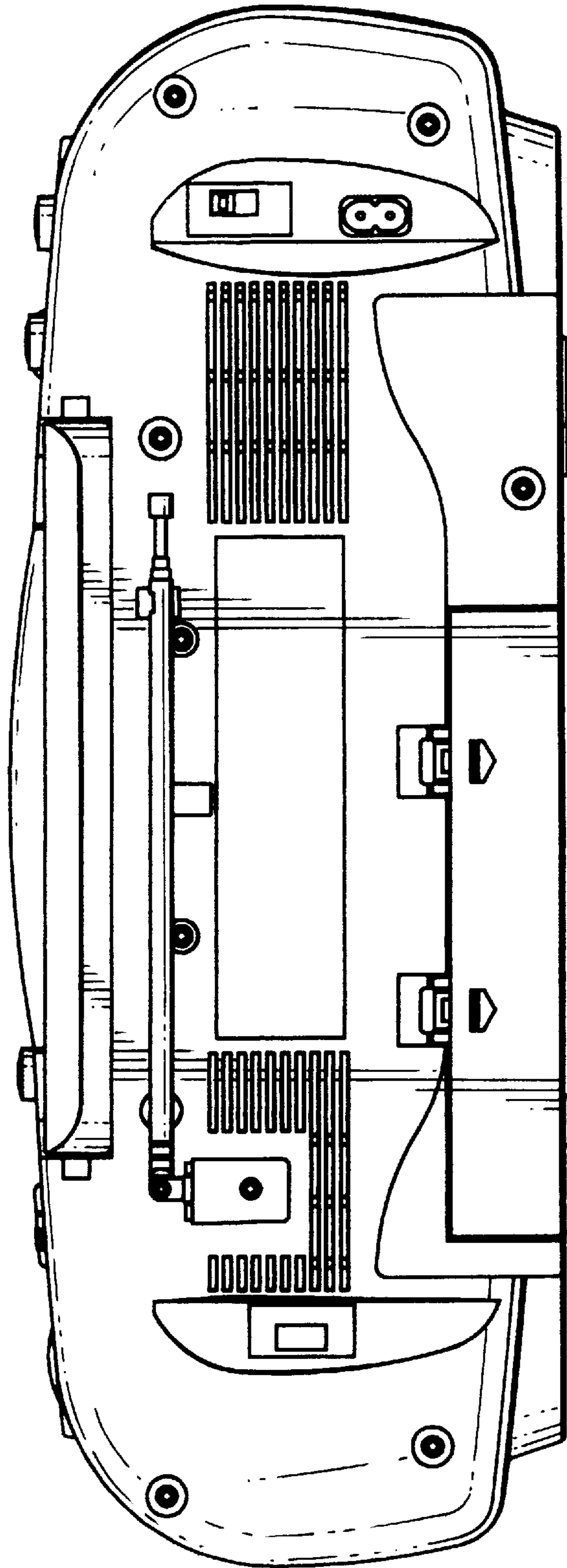


FIG. 3

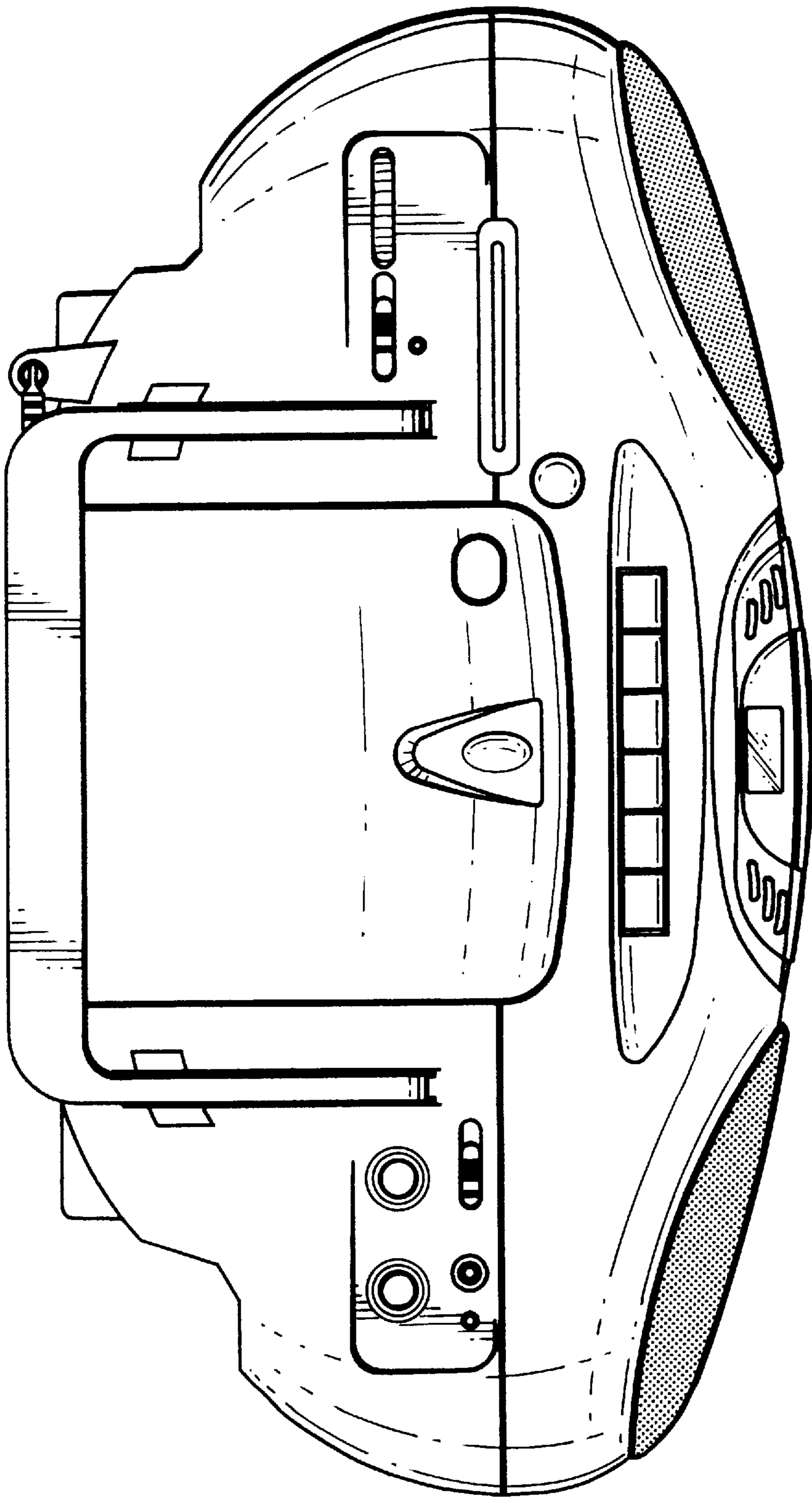


FIG. 4

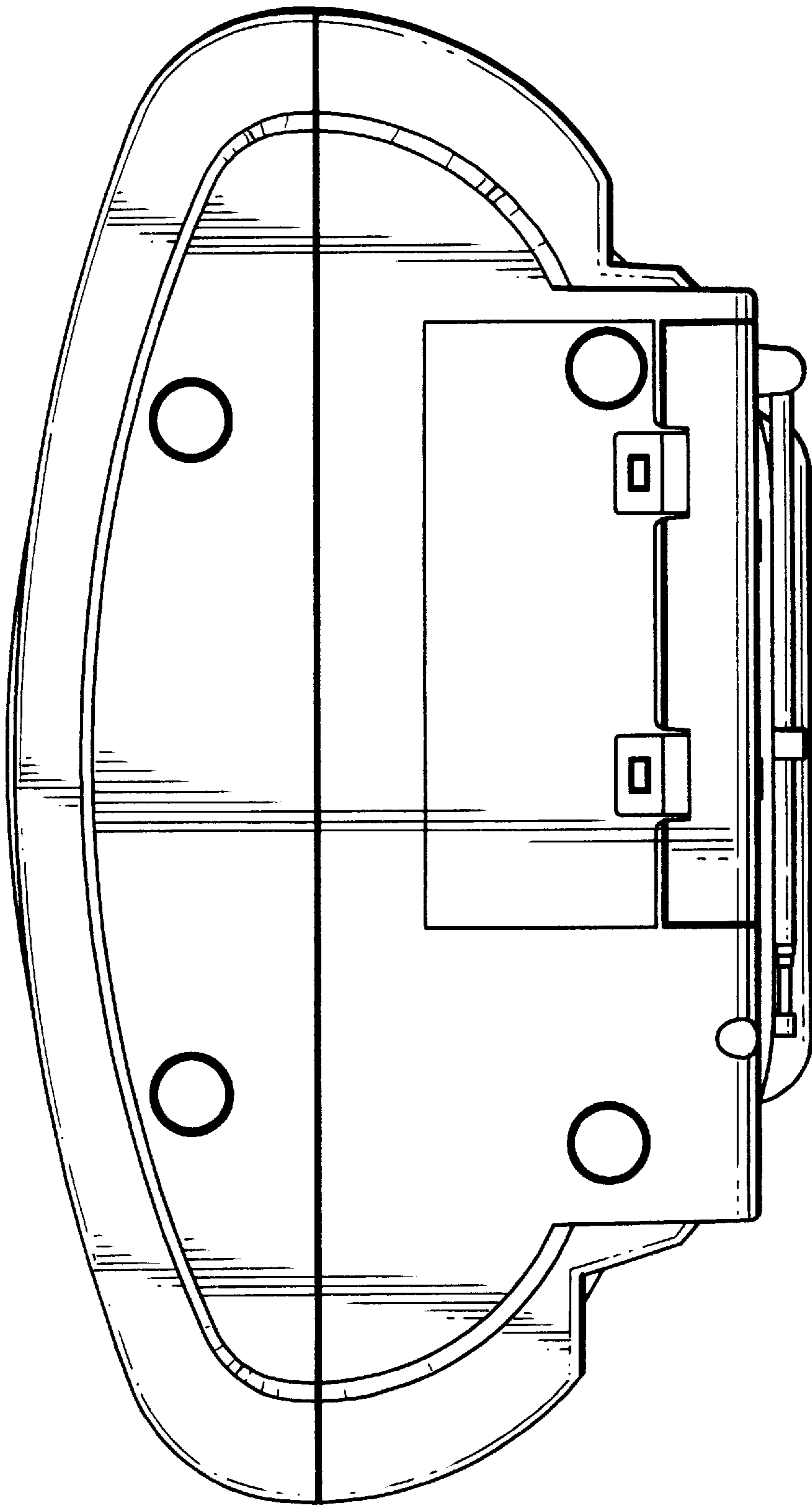


FIG. 5

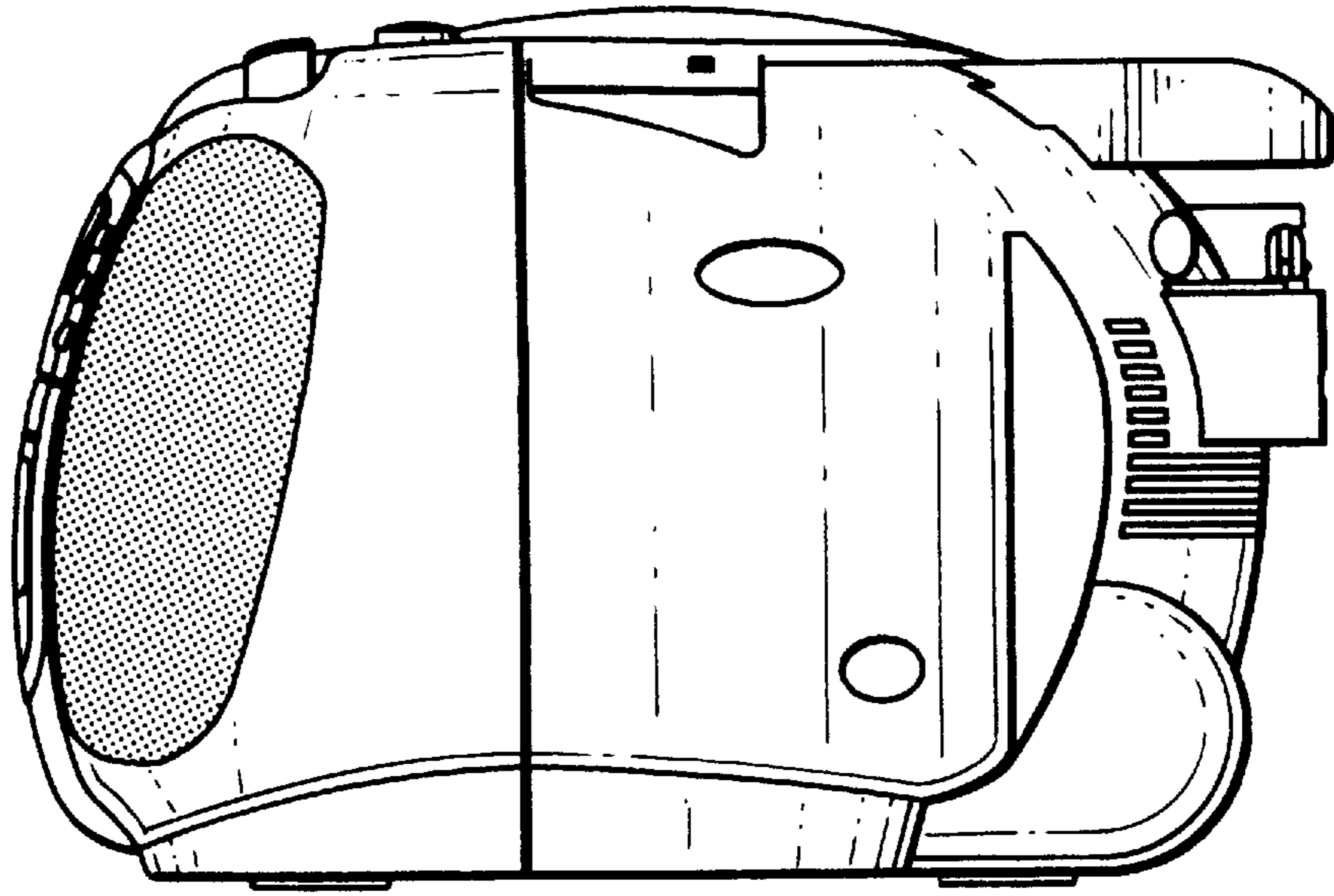


FIG. 6

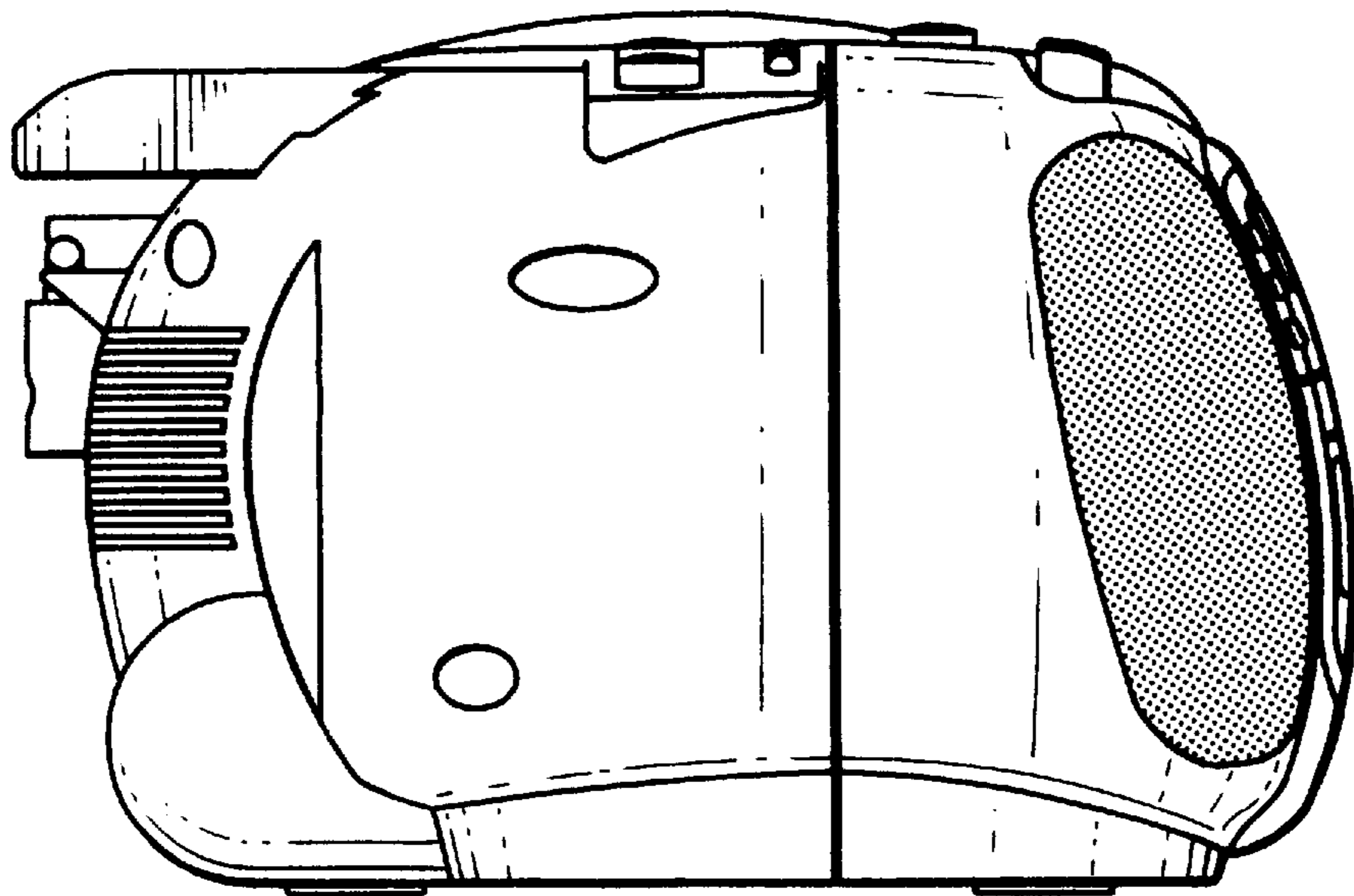


FIG. 7