



US00D406842S

# United States Patent [19] Zeitman

[11] Patent Number: **Des. 406,842**

[45] Date of Patent: **\*\*Mar. 16, 1999**

[54] TELEPHONE

[75] Inventor: **Josh Zeitman**, Brooklyn, N.Y.

[73] Assignee: **Lennox Electronics Corp.**, Brooklyn, N.Y.

[\*\*] Term: **14 Years**

[21] Appl. No.: **89,015**

[22] Filed: **Jun. 5, 1998**

[51] LOC (6) Cl. .... **14-03**

[52] U.S. Cl. .... **D14/151**

[58] Field of Search ..... D14/137, 138,  
D14/148, 147, 149-151, 140-142, 240,  
241, 141; 379/433-436, 419, 420, 428,  
440

[56] **References Cited**

**U.S. PATENT DOCUMENTS**

|            |         |                       |           |
|------------|---------|-----------------------|-----------|
| D. 294,023 | 2/1988  | Sekiguchi et al. .... | D14/151   |
| D. 303,798 | 10/1989 | Yamakawa .....        | D14/151   |
| D. 314,766 | 2/1991  | Goatman .....         | D14/151   |
| D. 321,872 | 11/1991 | Ando .....            | D14/241 X |
| D. 342,252 | 12/1993 | Akatsu et al. ....    | D14/151   |
| D. 344,517 | 2/1994  | Toh et al. ....       | D14/151   |
| D. 345,557 | 3/1994  | Akatsu et al. ....    | D14/151   |
| D. 348,670 | 7/1994  | Yoneyama .....        | D14/151   |
| D. 354,956 | 1/1995  | Toh et al. ....       | D14/141   |

|            |         |                       |           |
|------------|---------|-----------------------|-----------|
| D. 368,090 | 3/1996  | Zeitman .....         | D14/151   |
| D. 368,091 | 3/1996  | Yoshihiko et al. .... | D14/241 X |
| D. 375,093 | 10/1996 | Babbitt et al. ....   | D14/151   |
| D. 389,145 | 1/1998  | Yoneyama .....        | D14/151   |

**OTHER PUBLICATIONS**

Hello Direct, p. 29, AT&T 1 line memory phones at bottom right, spr/1997.

B.A. Pargh, p. 324, AT&T 30-number memory speakerphone, spr/1995.

*Primary Examiner*—Jeffrey Asch  
*Attorney, Agent, or Firm*—Burns, Doane, Swecker & Mathis, L.L.P.

[57] **CLAIM**

The ornamental design for “a telephone”, as shown and described.

**DESCRIPTION**

FIG. 1 is a perspective view of “a telephone” showing my design;

FIG. 2 is an exploded perspective view with the handset in an alternate configuration thereof;

FIG. 3 is a top plan view thereof;

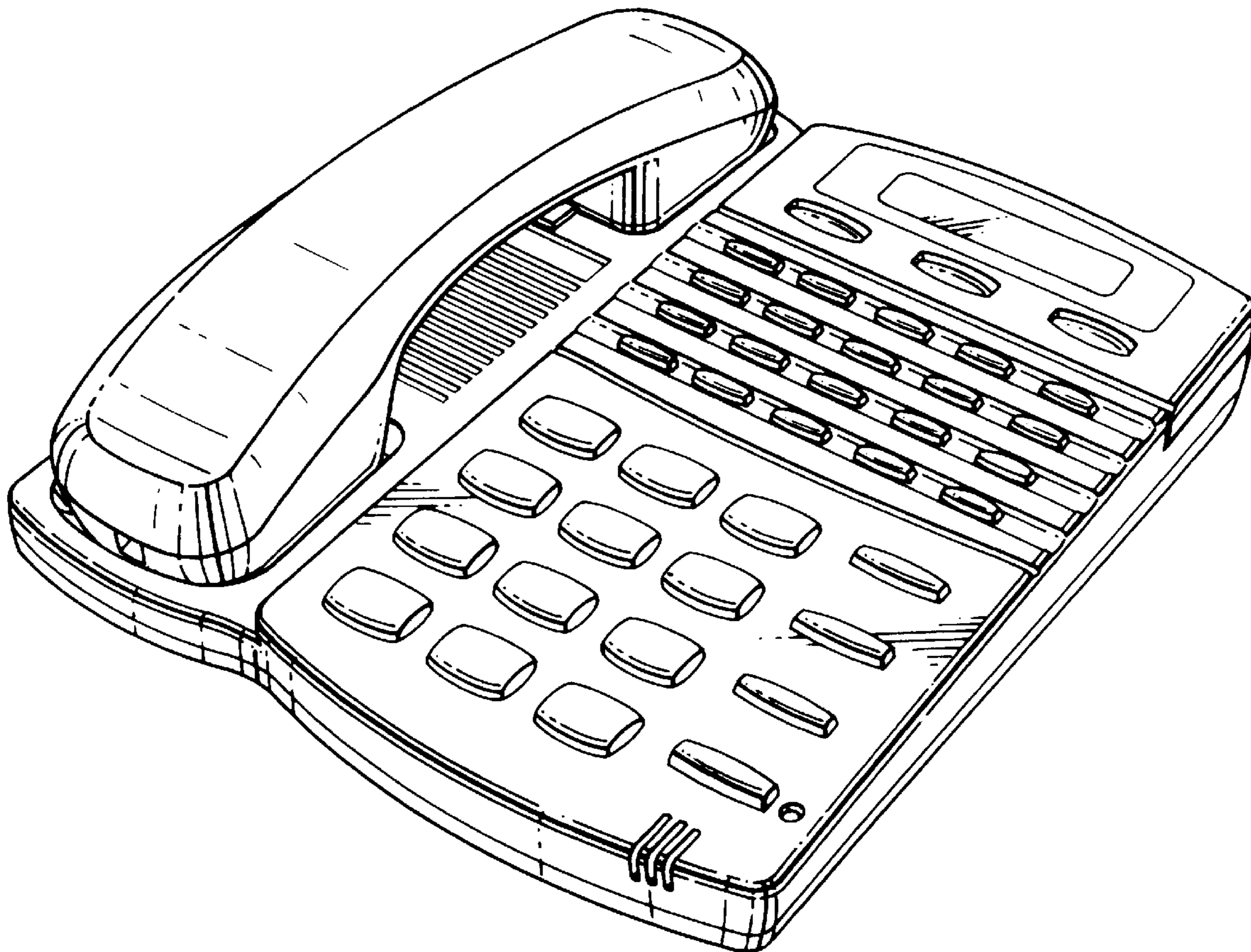
FIG. 4 is a front view thereof;

FIG. 5 is a rear view thereof;

FIG. 6 is a right side elevational view thereof; and,

FIG. 7 is a left side elevational view thereof.

**1 Claim, 5 Drawing Sheets**



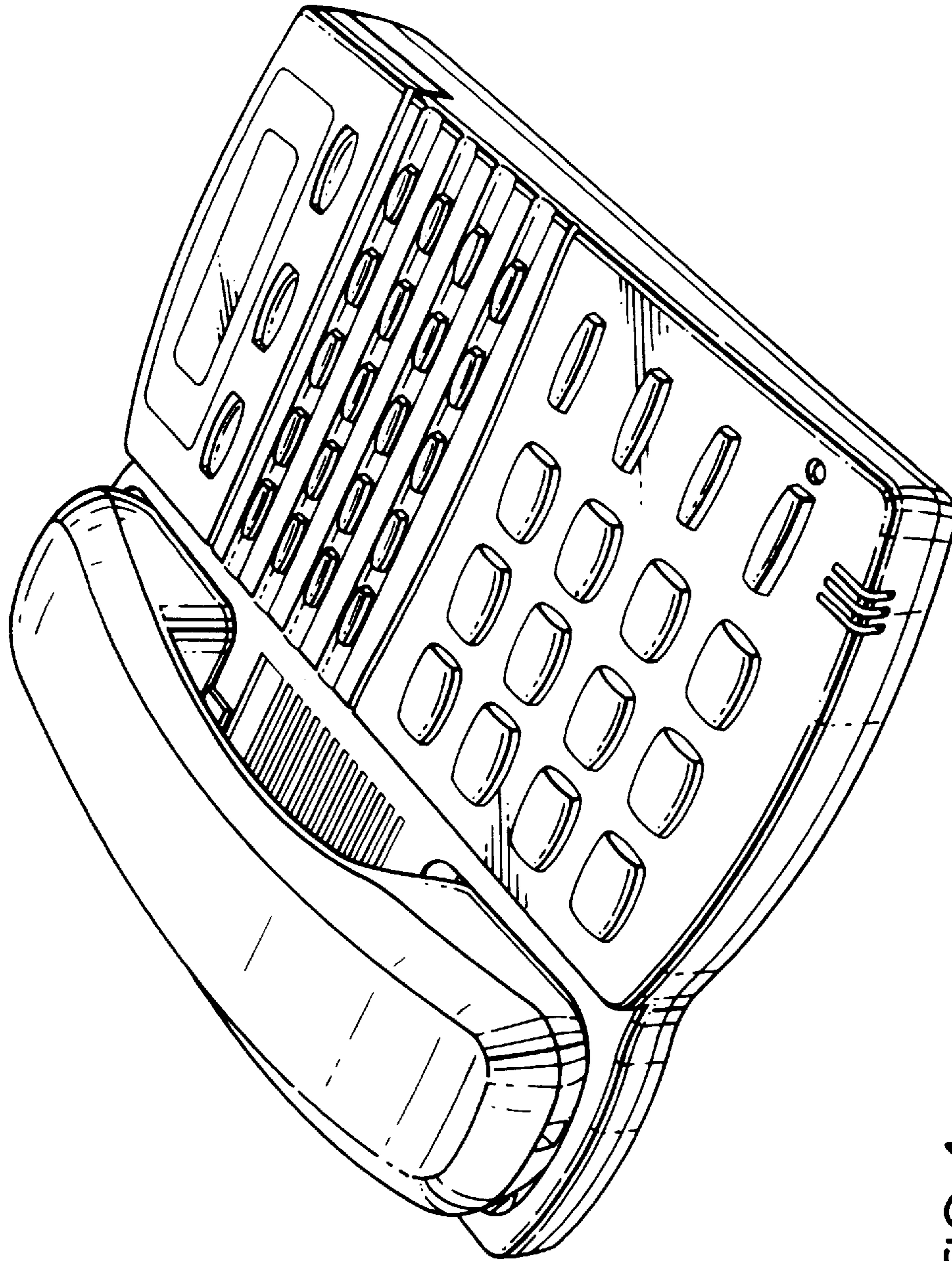


FIG. 1

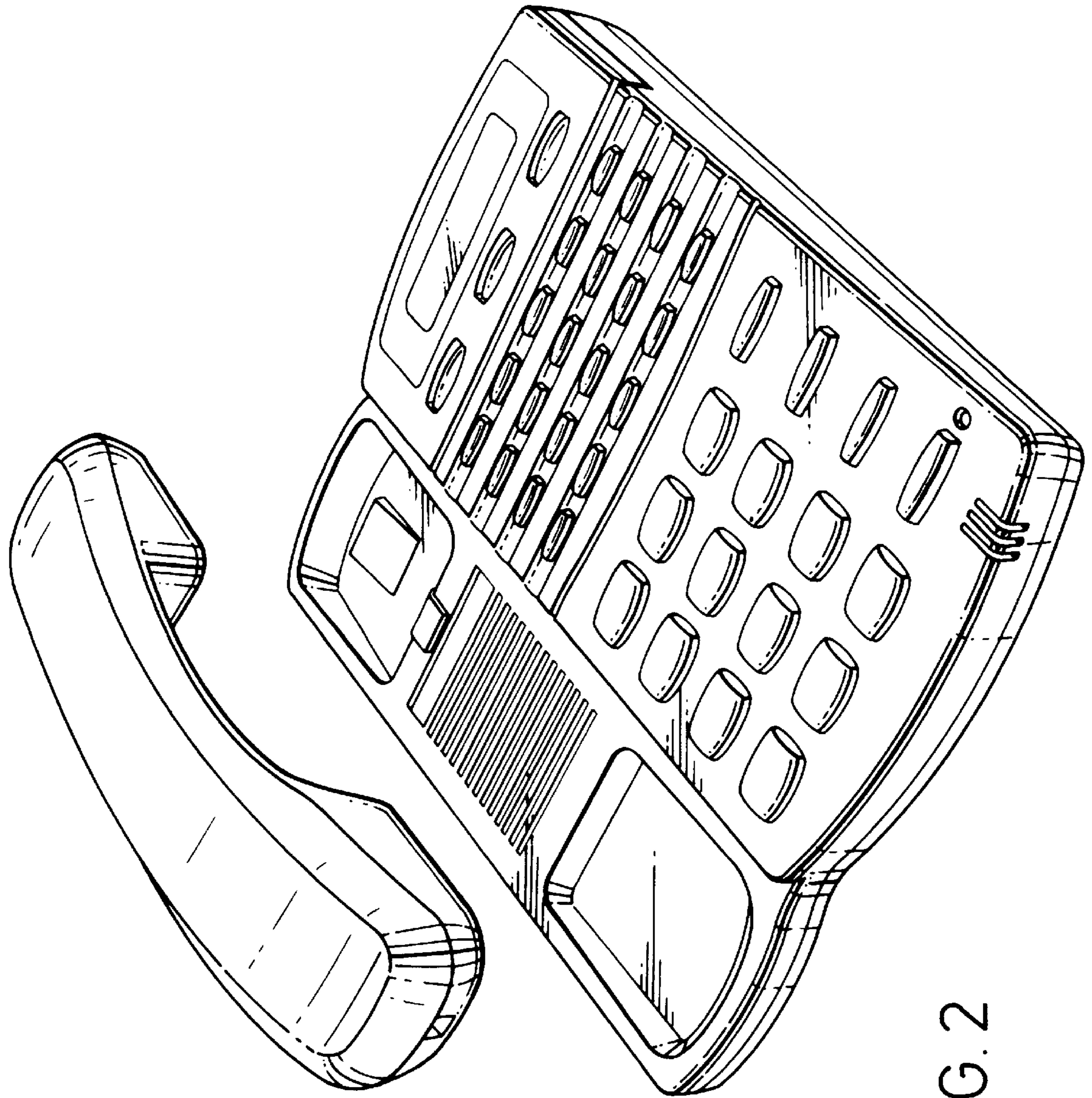


FIG. 2

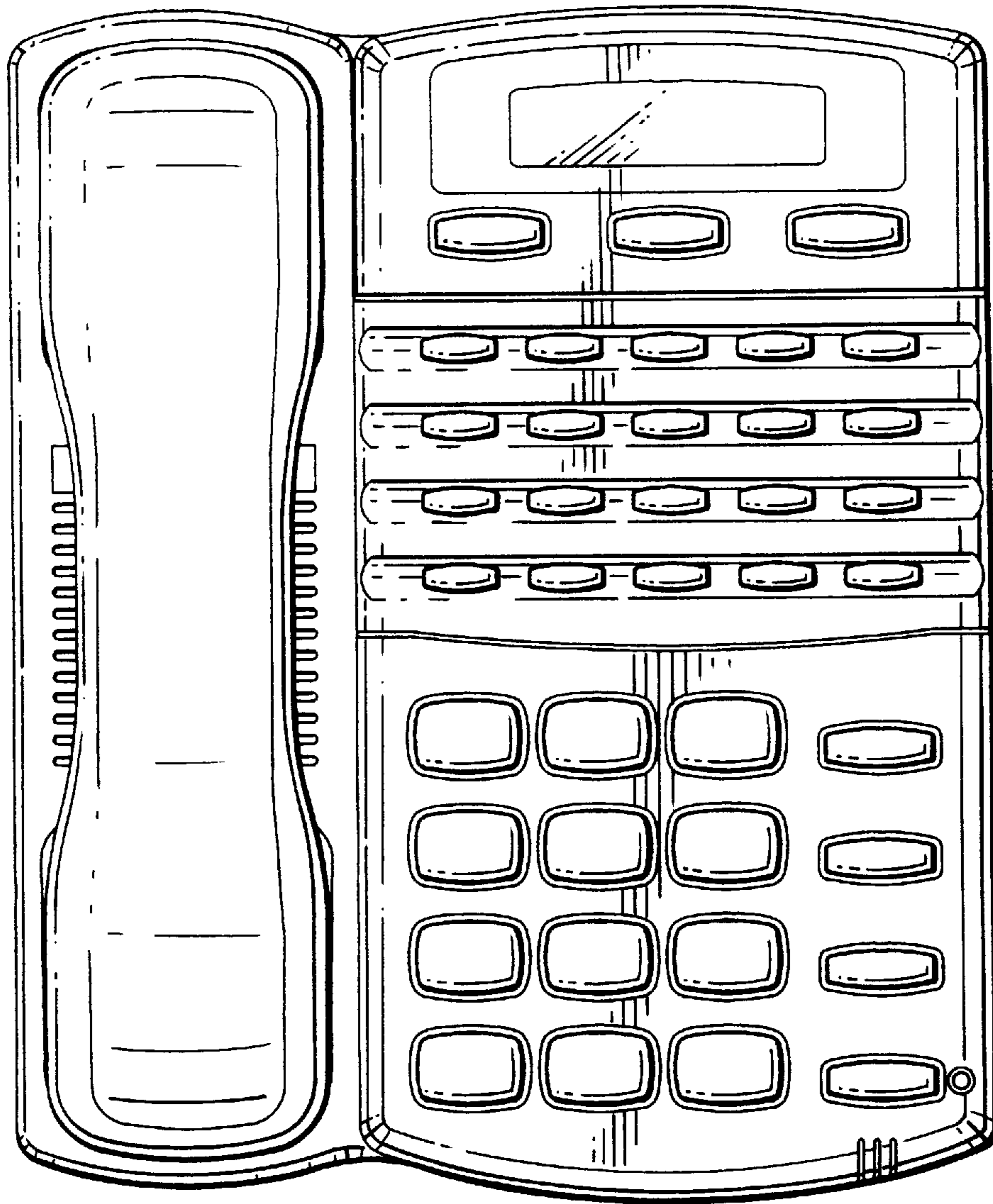


FIG. 3

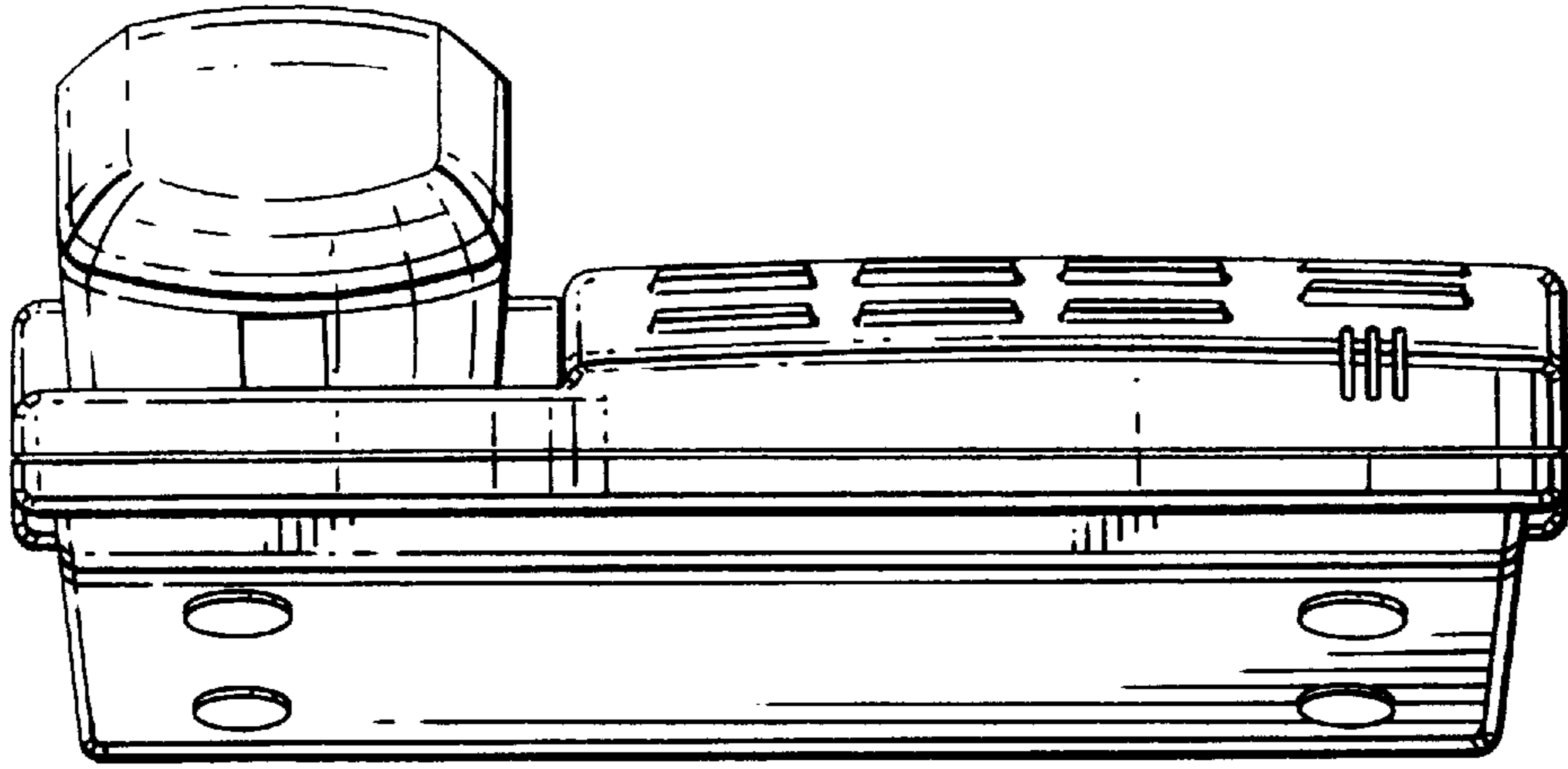


FIG. 4

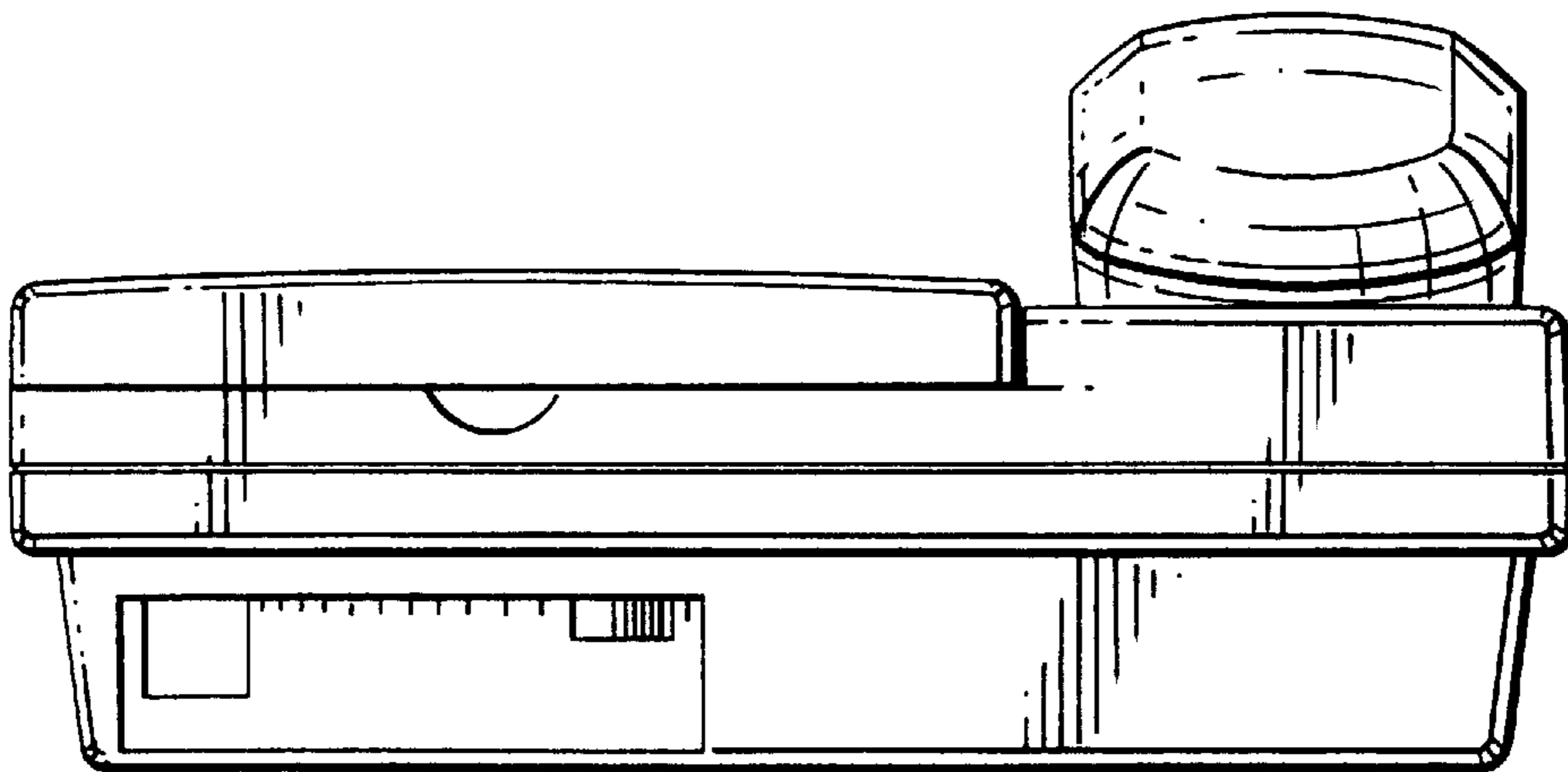


FIG. 5

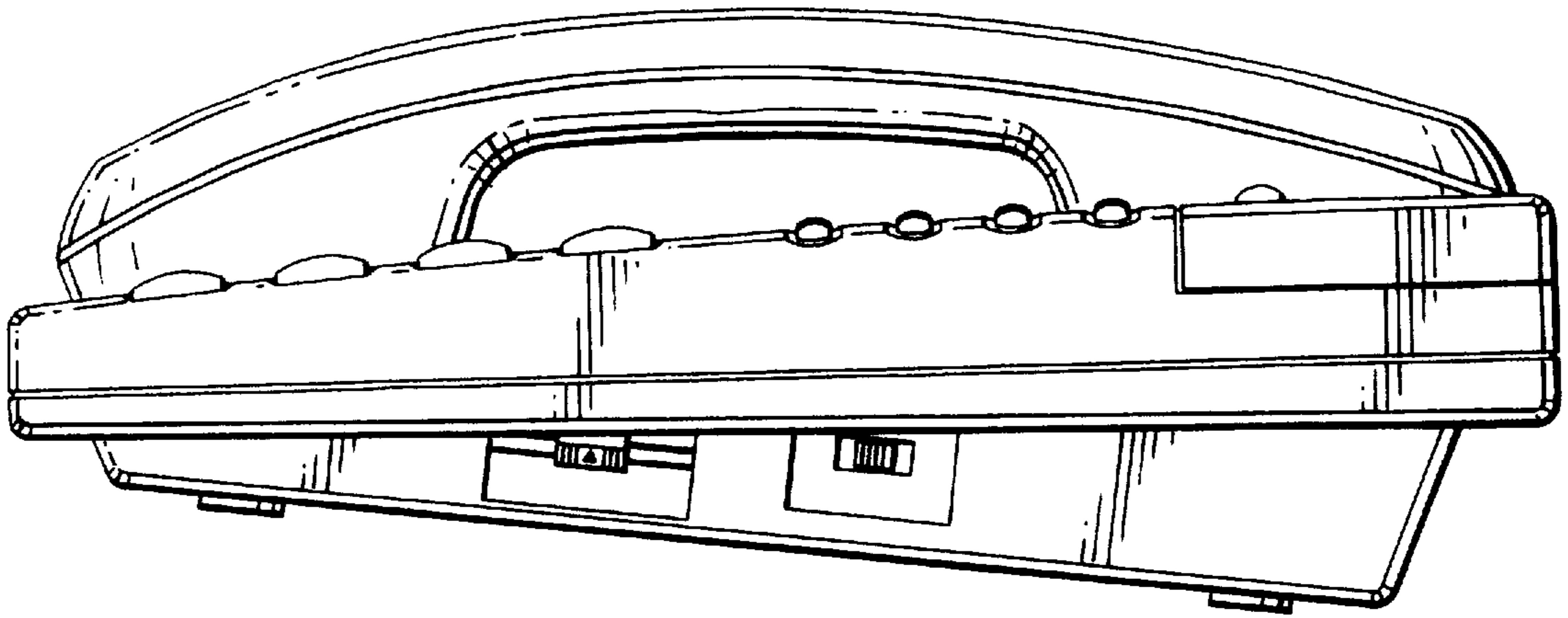


FIG. 6

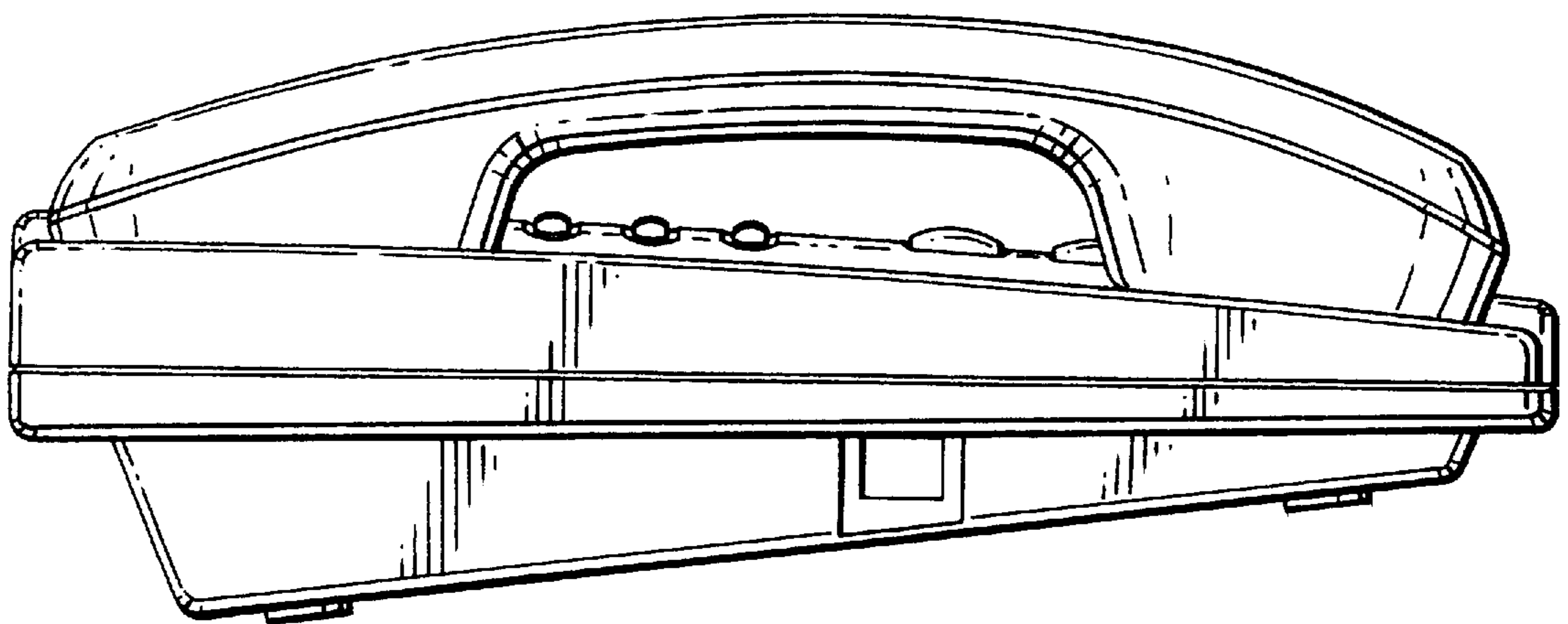


FIG. 7