



US00D406840S

United States Patent [19]
Mavrakis et al.

[11] **Patent Number: Des. 406,840**

[45] **Date of Patent: **Mar. 16, 1999**

[54] **CORDLESS TELEPHONE BASE**
[75] Inventors: **Patrick A. Mavrakis**, Newark; **George V. Anastas**, San Carlos; **Steven H. Puthuff**, Saratoga, all of Calif.

D. 393,625 4/1998 Riccobon D13/107
5,479,486 12/1995 Saji 320/115 X
5,689,171 11/1997 Ludewig 320/110
5,748,727 5/1998 Lundell et al. 379/446

[73] Assignee: **ReSound Corporation**, Redwood City, Calif.

OTHER PUBLICATIONS

B. A. Pargh p. 315, code-a-phone at top left, Sep. 1992.

[**] Term: **14 Years**

Primary Examiner—Jeffrey Asch

Attorney, Agent, or Firm—Burns, Doane, Swecker & Mathis LLP

[21] Appl. No.: **91,666**

[57] **CLAIM**

[22] Filed: **Aug. 3, 1998**

The ornamental design for a cordless telephone base, as shown and described.

[51] **LOC (6) Cl. 14-03**

[52] **U.S. Cl. D14/149**

DESCRIPTION

[58] **Field of Search** D14/137, 138, D14/148, 147, 149–151, 140–142, 240, 241, 251, 253; 379/433–436, 419, 420, 428, 440, 454, 455, 446, 447; D13/107, 108; 320/110, 113, 114, 115

FIG. 1 is a perspective view as seen from the front and upper right of a cordless telephone base showing our new design; FIG. 2 is a front elevational view thereof; FIG. 3 is a right side elevational view thereof; FIG. 4 is a rear elevational view thereof; FIG. 5 is a left side elevational view thereof; FIG. 6 is a top plan view thereof; and, FIG. 7 is a bottom plan view thereof.

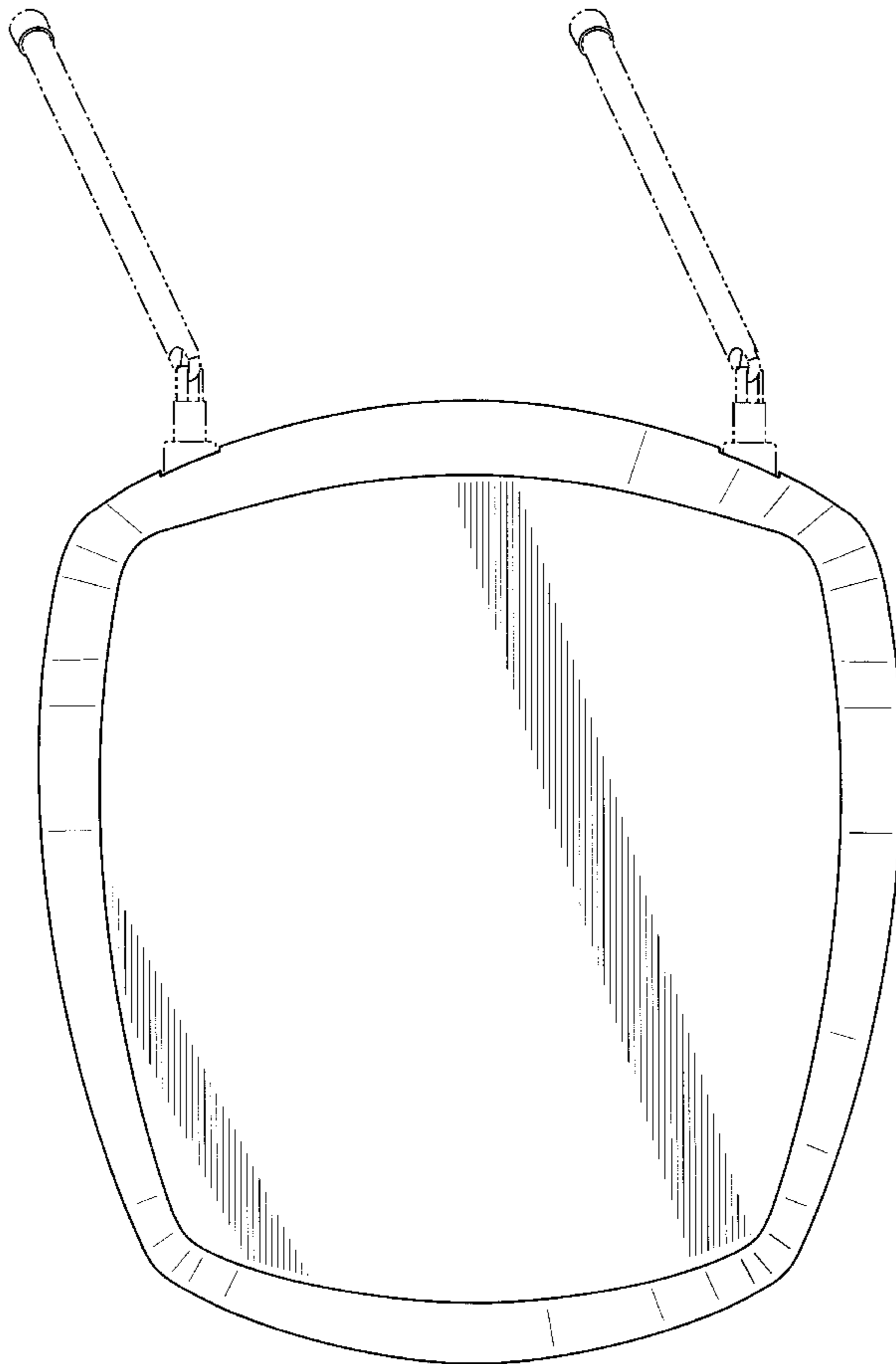
[56] **References Cited**

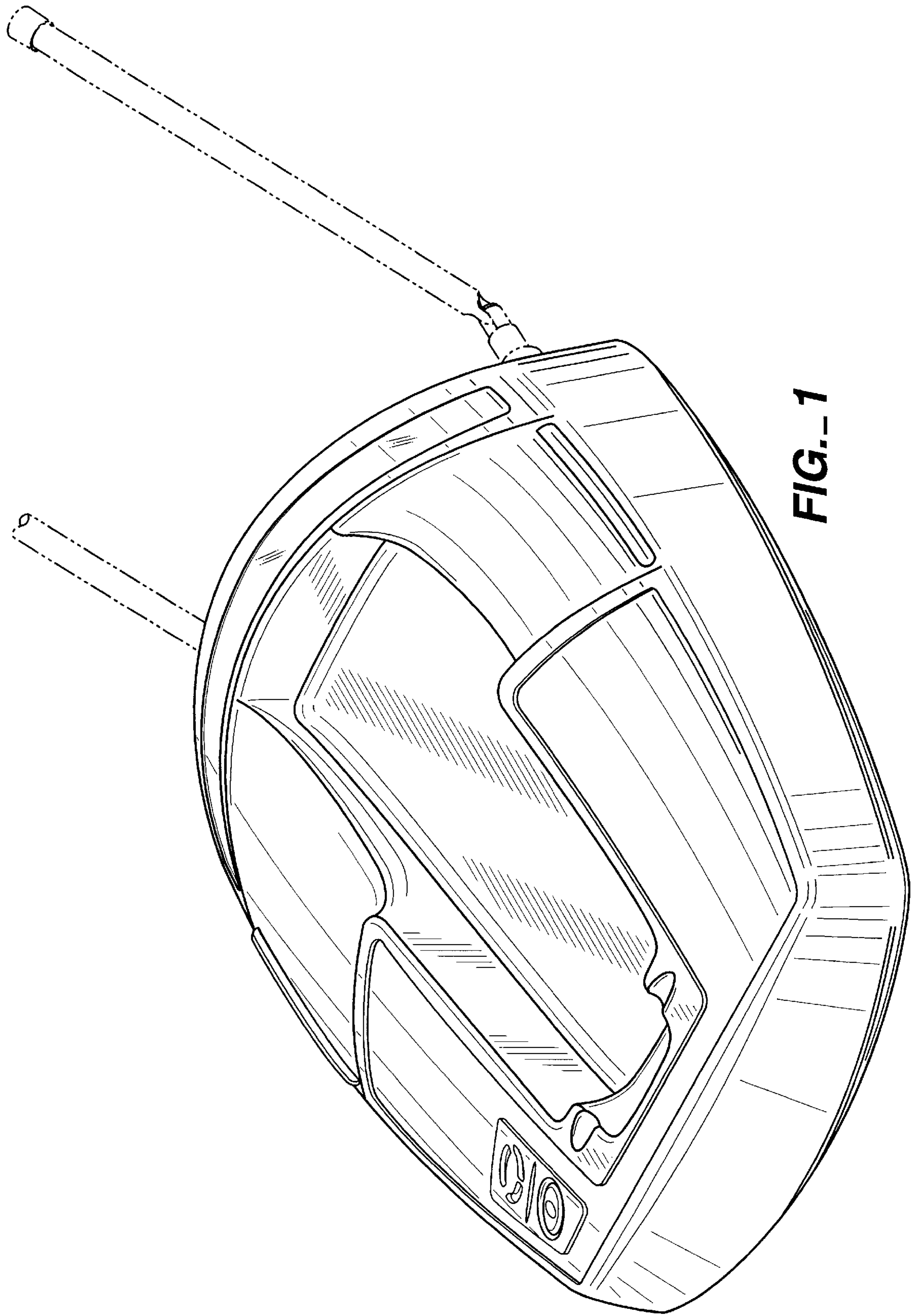
U.S. PATENT DOCUMENTS

D. 322,436 12/1991 Myoga D14/151 X
D. 353,131 12/1994 Nagele et al. D13/107
D. 363,717 10/1995 Solomita D14/149
D. 366,237 1/1996 Yang D13/108
D. 378,911 4/1997 Nagele et al. D13/108
D. 383,749 9/1997 Nagele et al. D14/149

The broken line showings of antennas throughout the views are for illustrative purposes only and form no part of the claimed design.

1 Claim, 7 Drawing Sheets





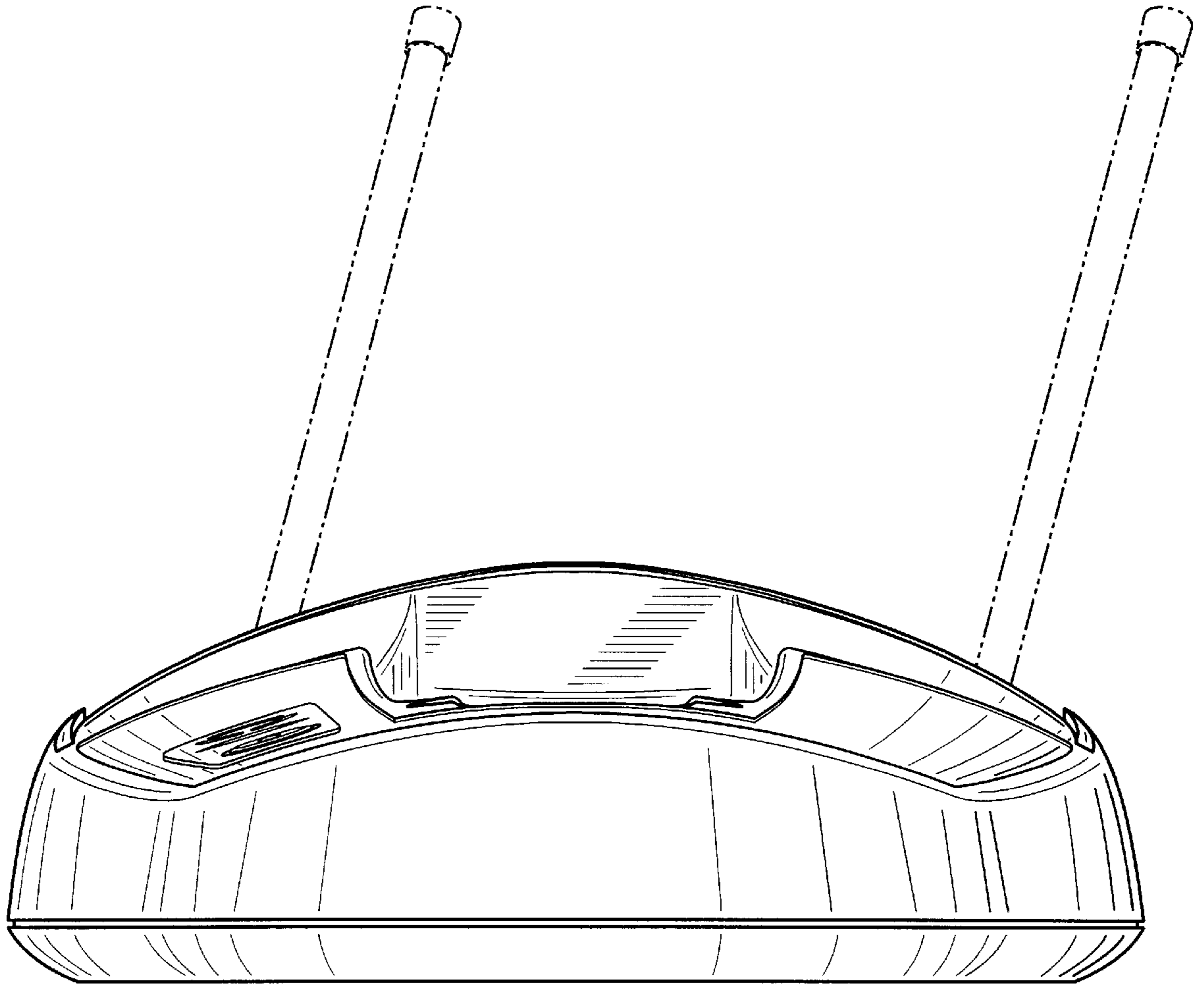


FIG._2

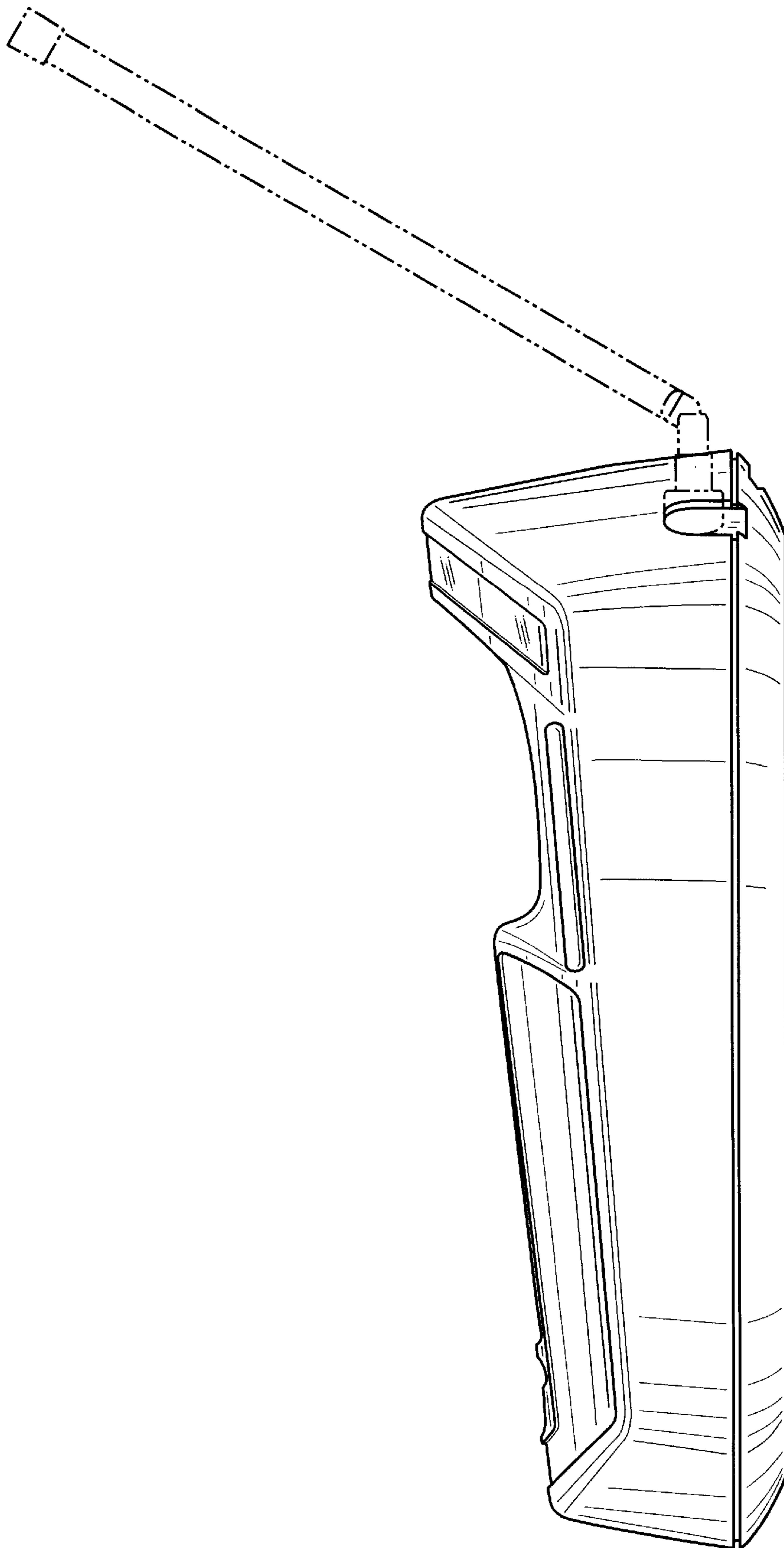


FIG. 3

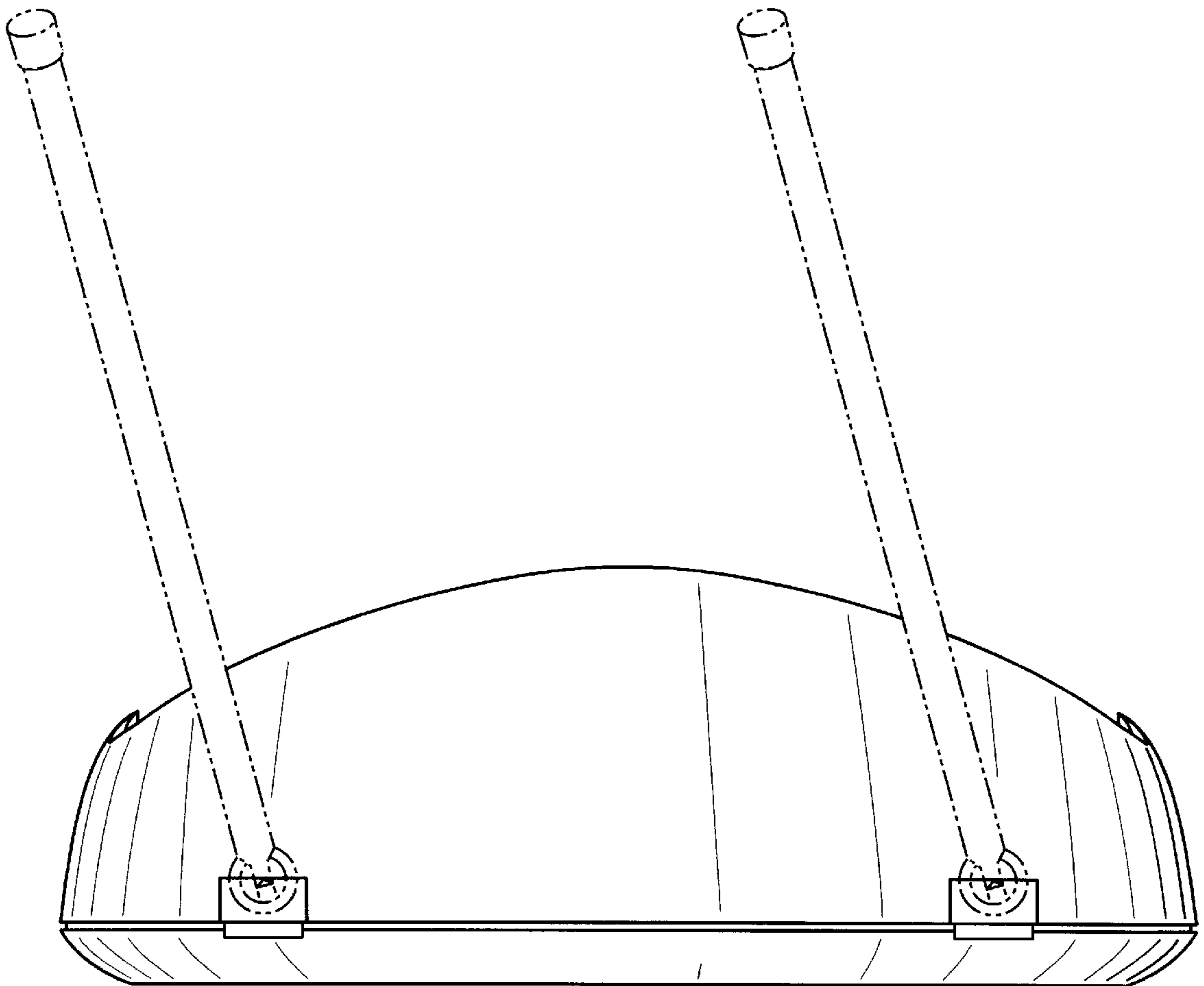


FIG. 4

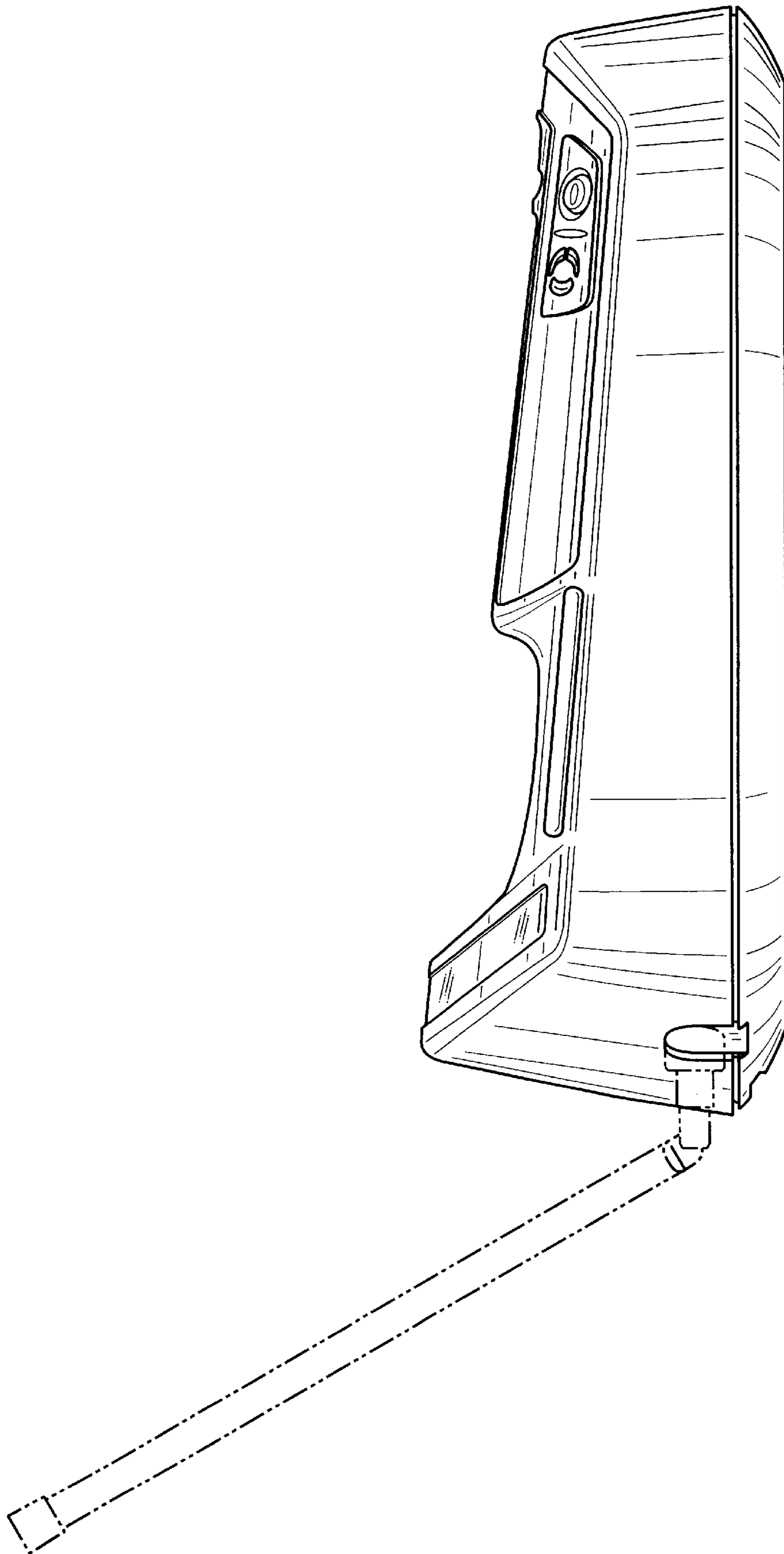


FIG. 5

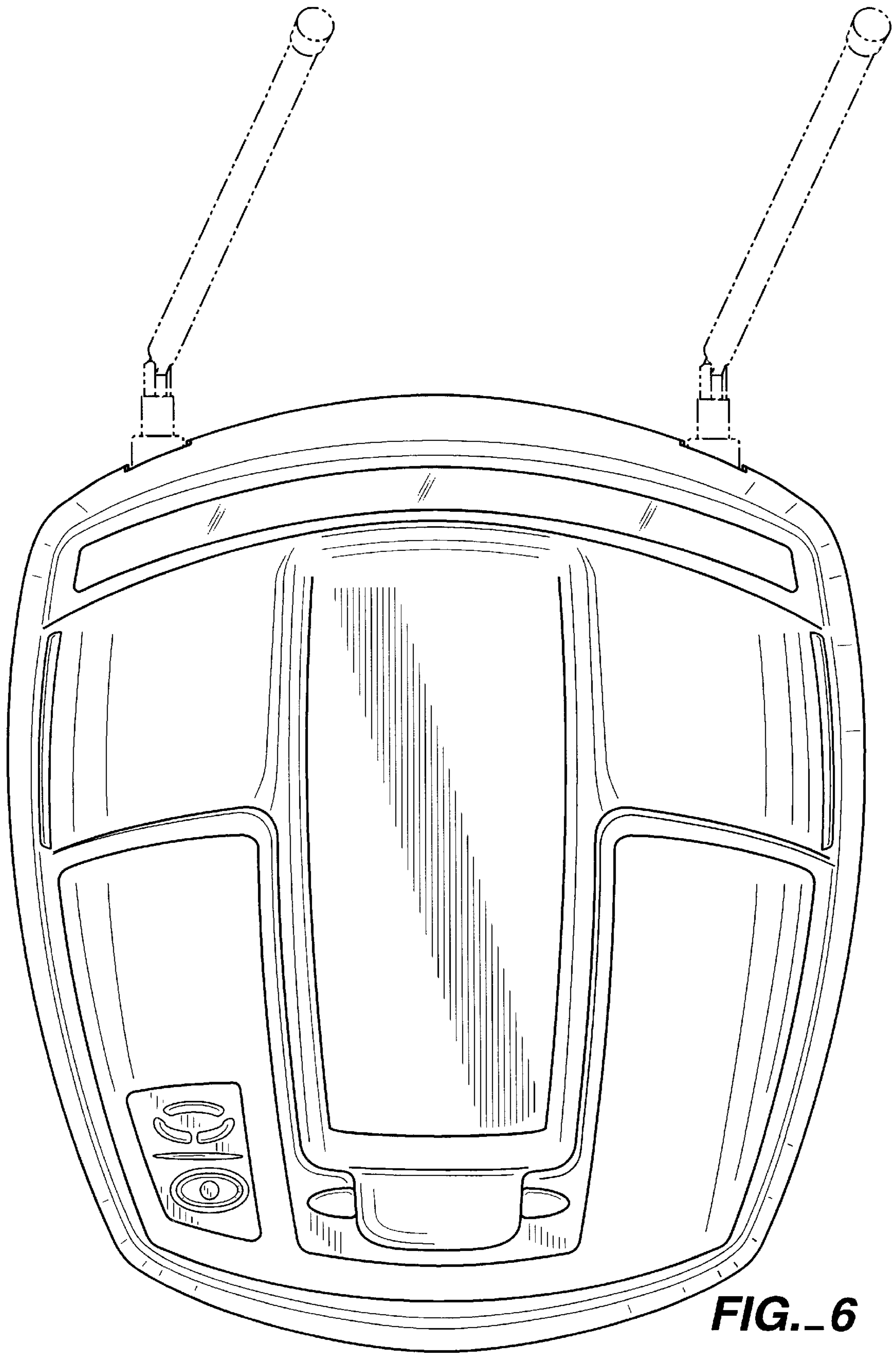


FIG. 6

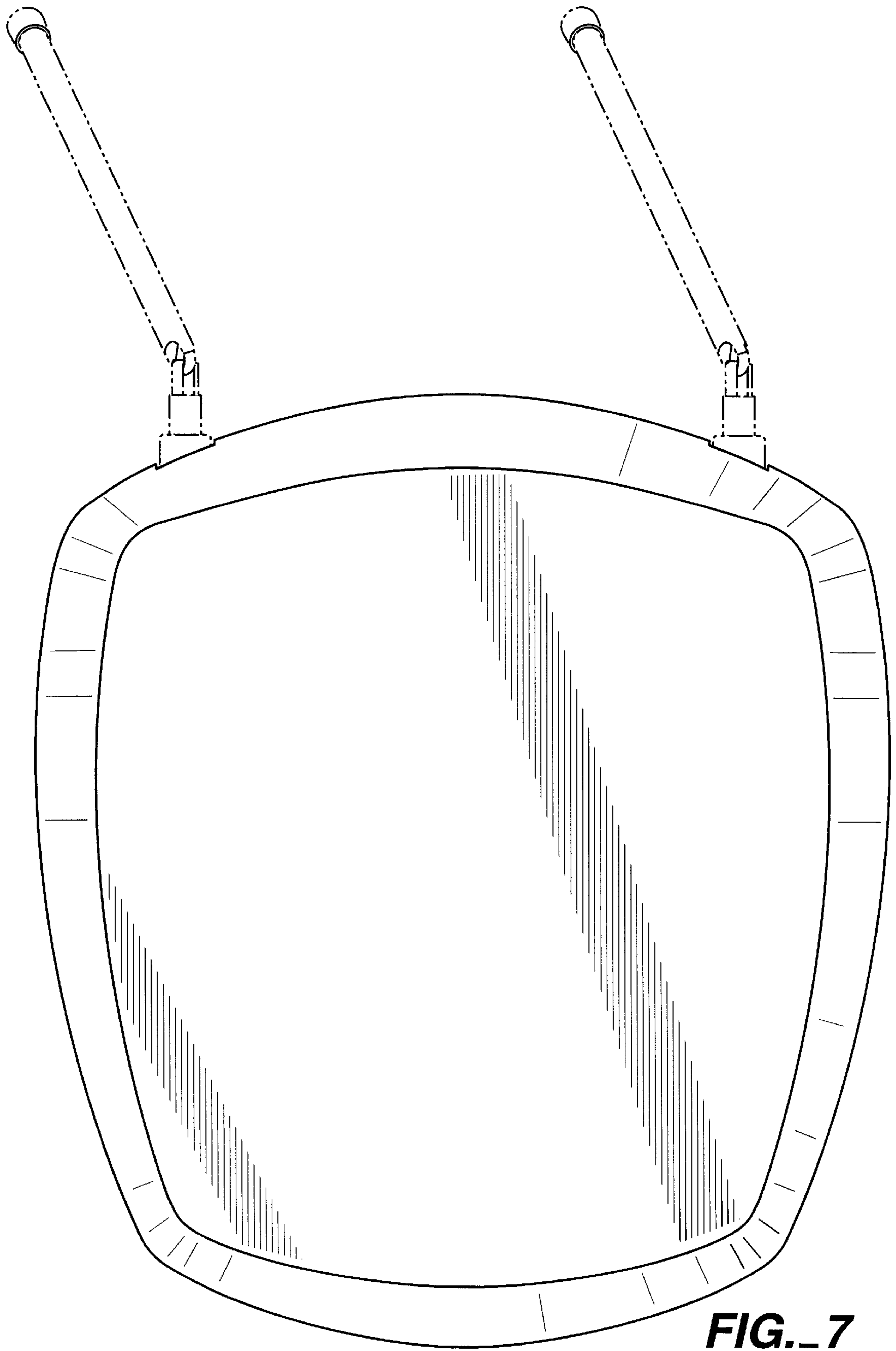


FIG. 7