



US00D406839S

United States Patent [19] Forget

[11] Patent Number: Des. 406,839

[45] Date of Patent: **Mar. 16, 1999

[54] MODULAR TELEPHONE SET

[75] Inventor: Luc Forget, Kanata, Canada

[73] Assignee: Mitel Corporation, Kanata, Canada

[**] Term: 14 Years

[21] Appl. No.: 89,716

[22] Filed: Jun. 22, 1998

5,369,788	11/1994	Nagai	455/90
5,408,044	4/1995	Spiegel	174/52.1
5,436,969	7/1995	Kobayashi	379/433
5,657,370	8/1997	Tsugane et al.	379/433 X

Primary Examiner—Jeffrey Asch
Attorney, Agent, or Firm—E. E. Pascal; R. A. Wilkes

[57] CLAIM

The ornamental design for a modular telephone set, as shown and described.

Related U.S. Application Data

[62] Division of Ser. No. 55,981, Jun. 19, 1996.

[30] Foreign Application Priority Data

Dec. 22, 1995 [CA] Canada 1995-2906

[51] LOC (6) Cl. 14-03

[52] U.S. Cl. D14/147

[58] Field of Search D4/100, 107, 114,
D4/116, 137, 138, 140, 142, 147, 148,
240, 248, 218, 191, 144, 146; D10/65,
78; D13/168; 379/419, 428, 440, 433-436;
455/90, 347, 556, 566, 550, 575; 174/52.1

[56] References Cited

U.S. PATENT DOCUMENTS

D. 301,467	6/1989	Pitkonen	D14/138
D. 352,708	11/1994	Rossi	D14/148
D. 370,213	5/1996	Iwamoto et al.	D14/114 X
D. 371,550	7/1996	Tomokowicz	D14/146
5,151,946	9/1992	Martensson	379/433 X

DESCRIPTION

FIG. 1 is a perspective view of modular telephone set showing my new design wherein the block has been partially inserted into the base;

FIG. 2 is a perspective view thereof wherein the block is completely inserted into the base;

FIG. 3 is an isometric view of the base of the design, showing the front;

FIG. 4 is a top view of the base;

FIG. 5 is a bottom view of the base;

FIG. 6 is a right side view of the base, the left side being a mirror image thereof;

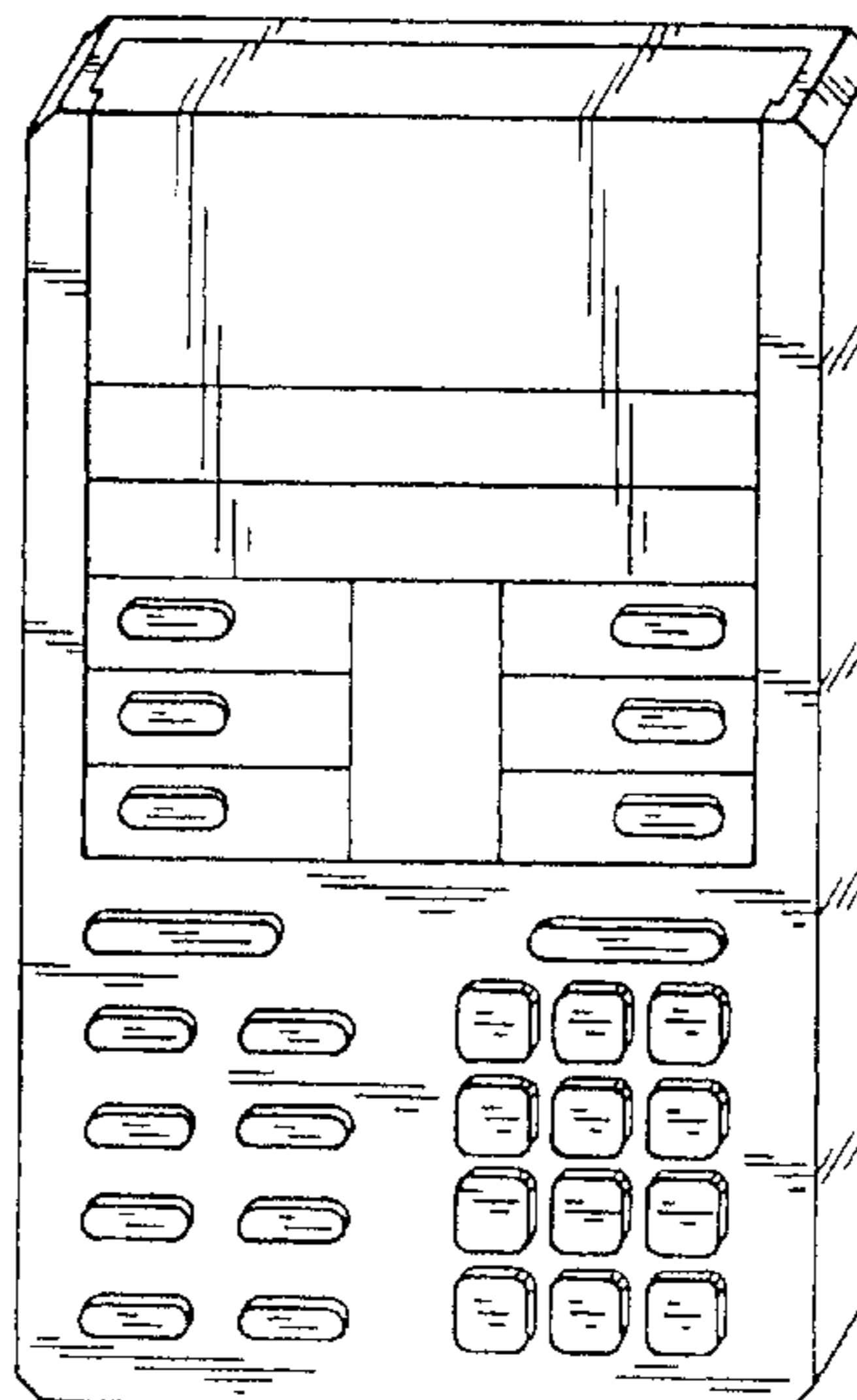
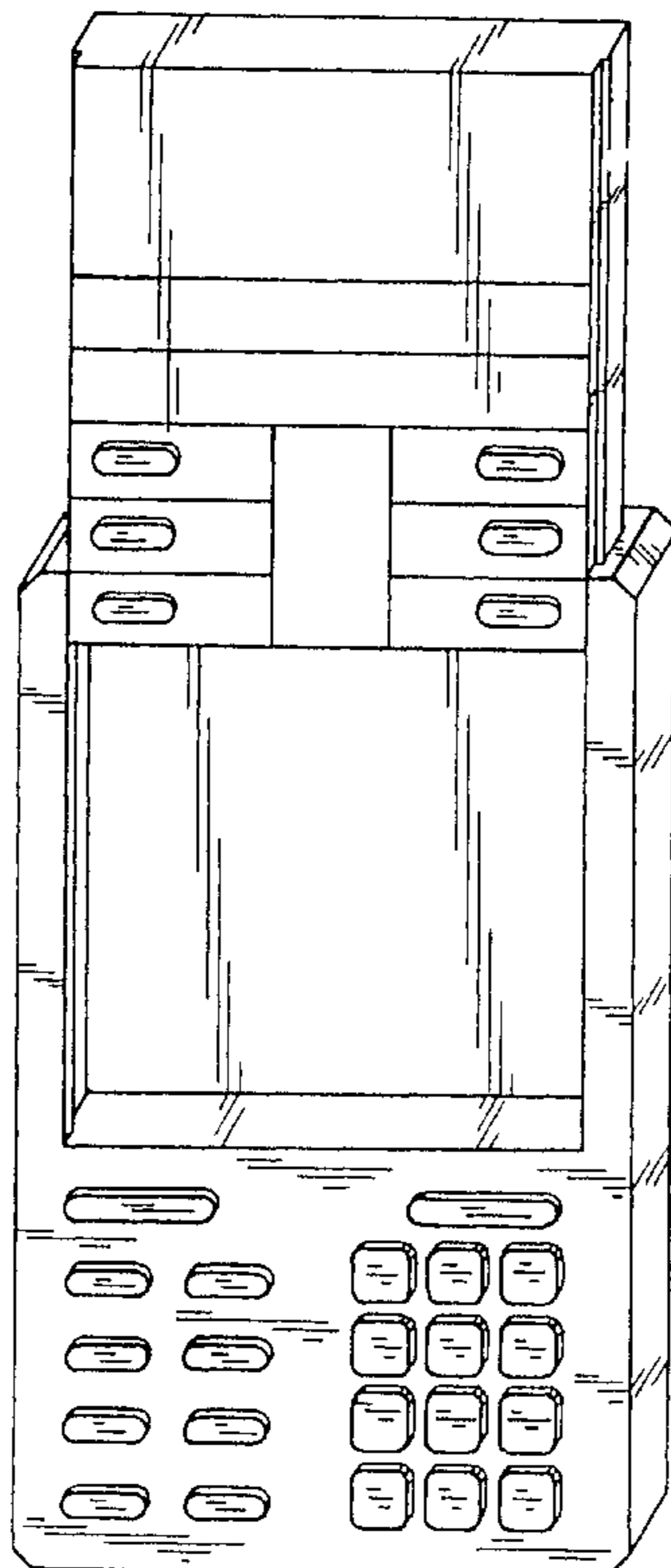
FIG. 7 is a right side view of the block, the left side being a mirror image thereof, and,

FIG. 8 is a bottom view of the block which is the same as the top view.

The rear of the block and the rear of the base are not considered to be a part of my claimed design.

The base and block have been shown separate in FIGS. 3-8 for convenience of illustration.

1 Claim, 2 Drawing Sheets



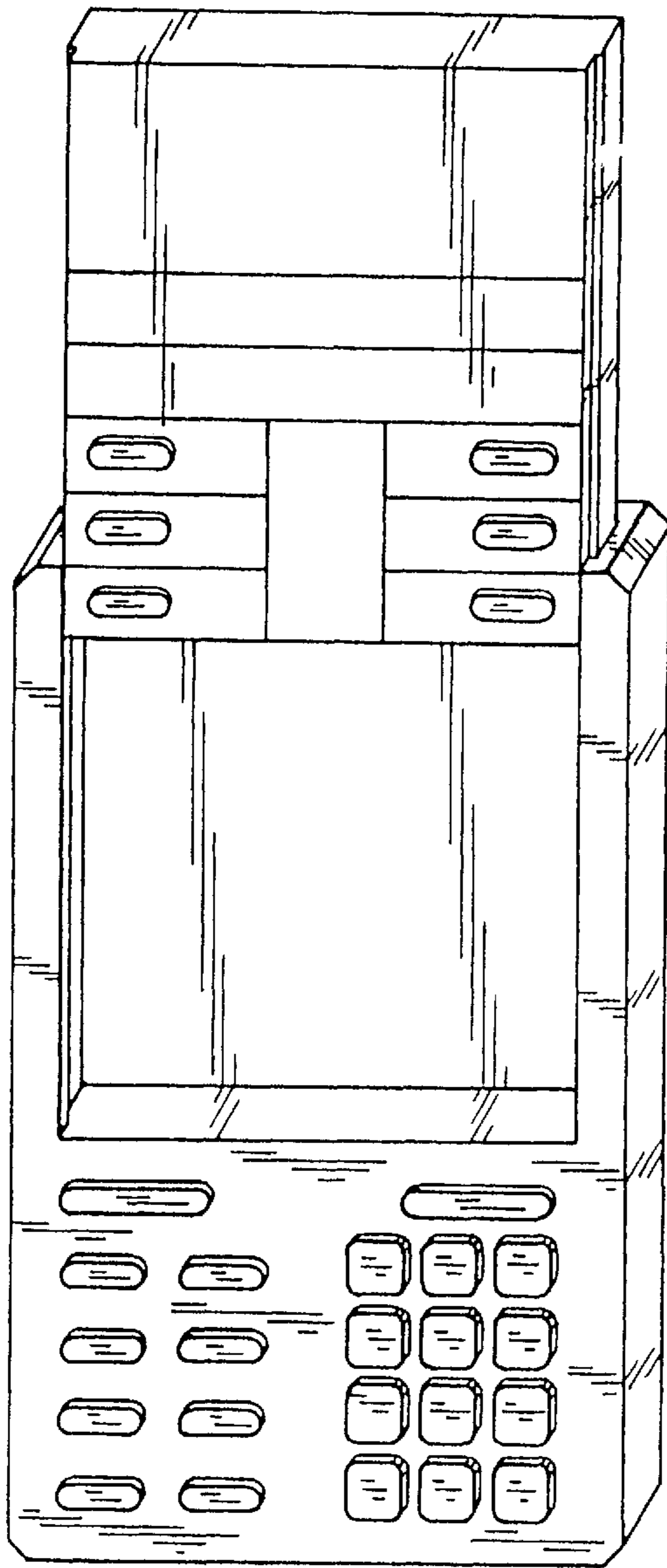


FIG. 1

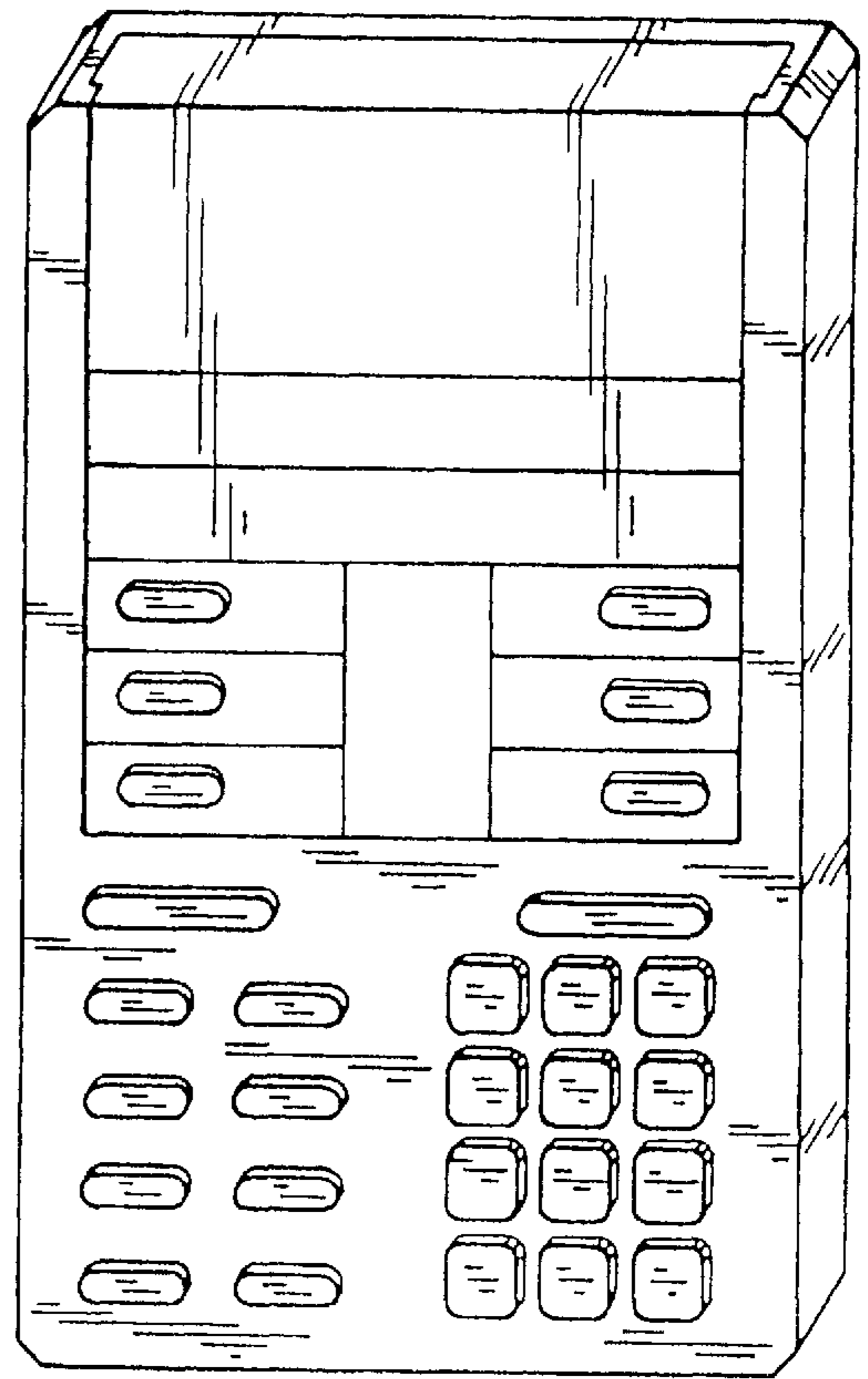


FIG. 2

FIG. 7

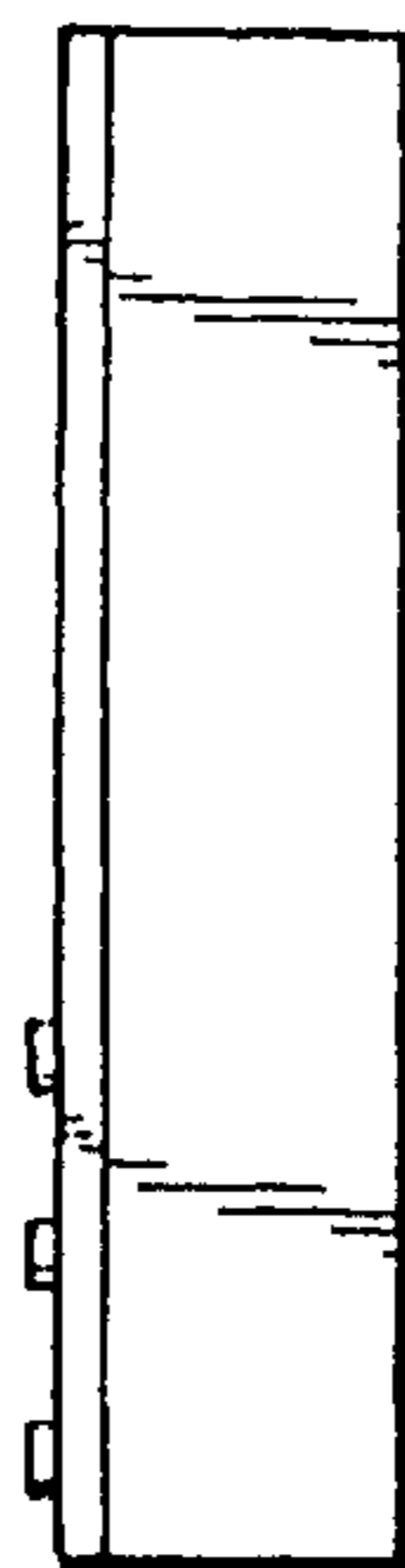
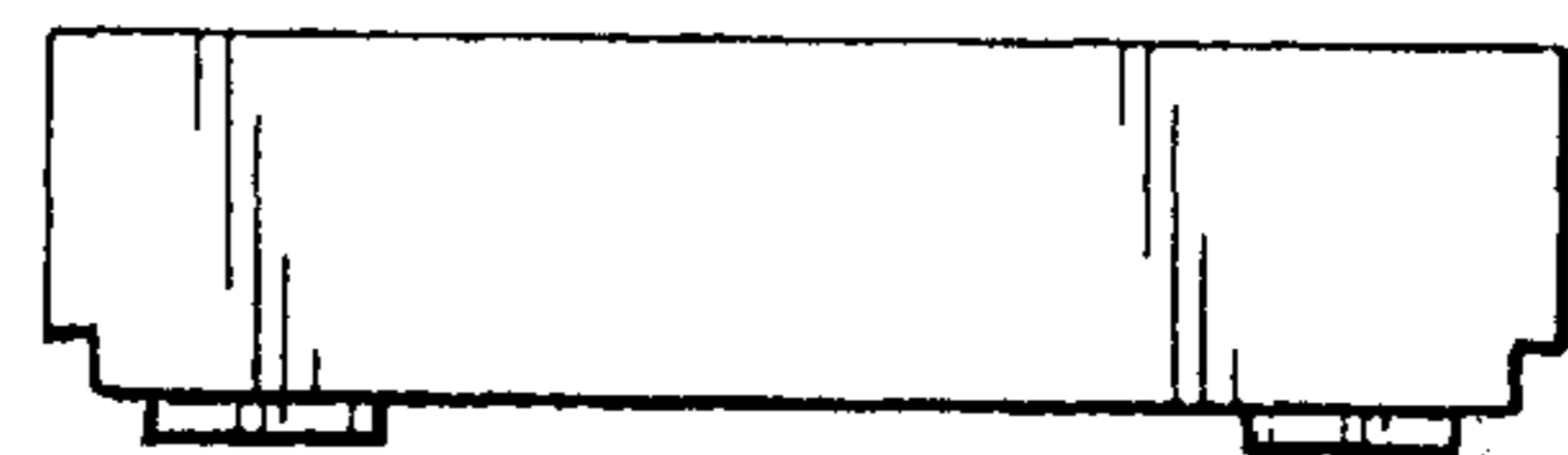


FIG. 8



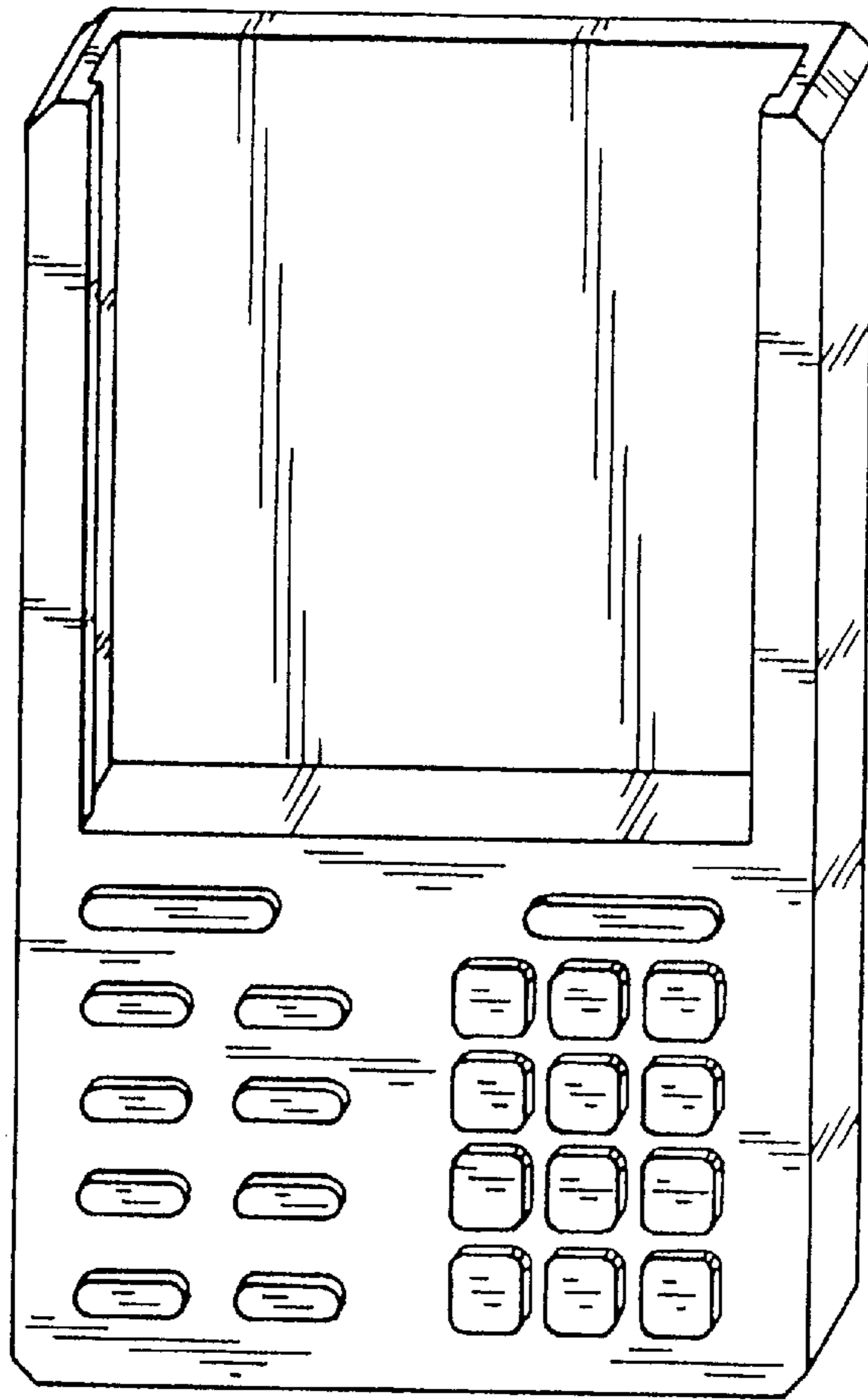


FIG. 3



FIG. 6

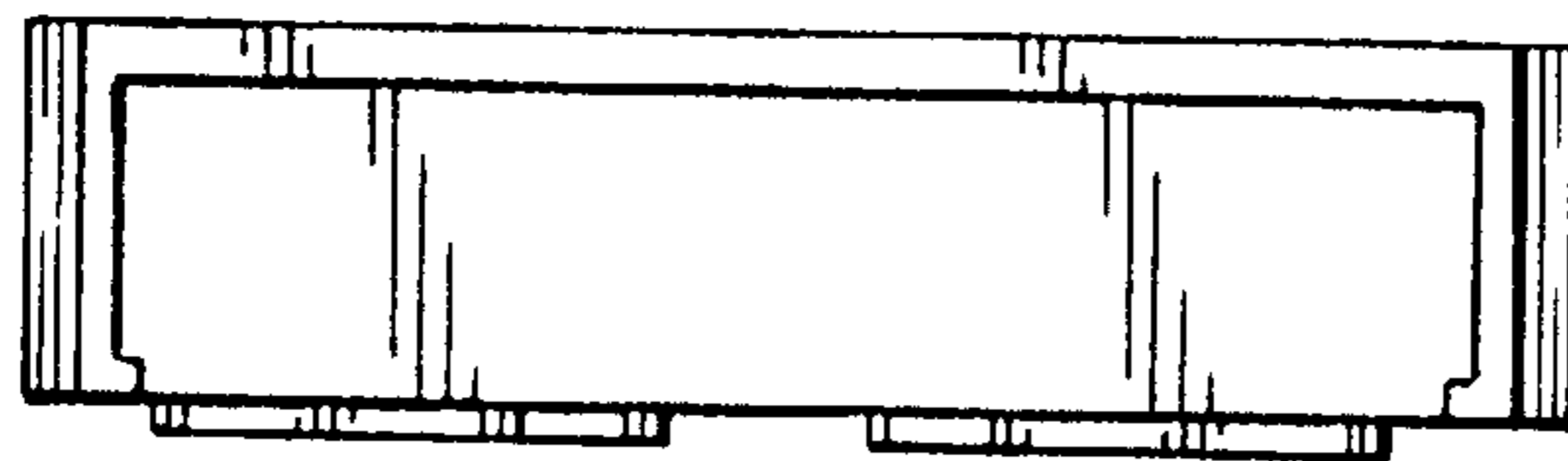


FIG. 4

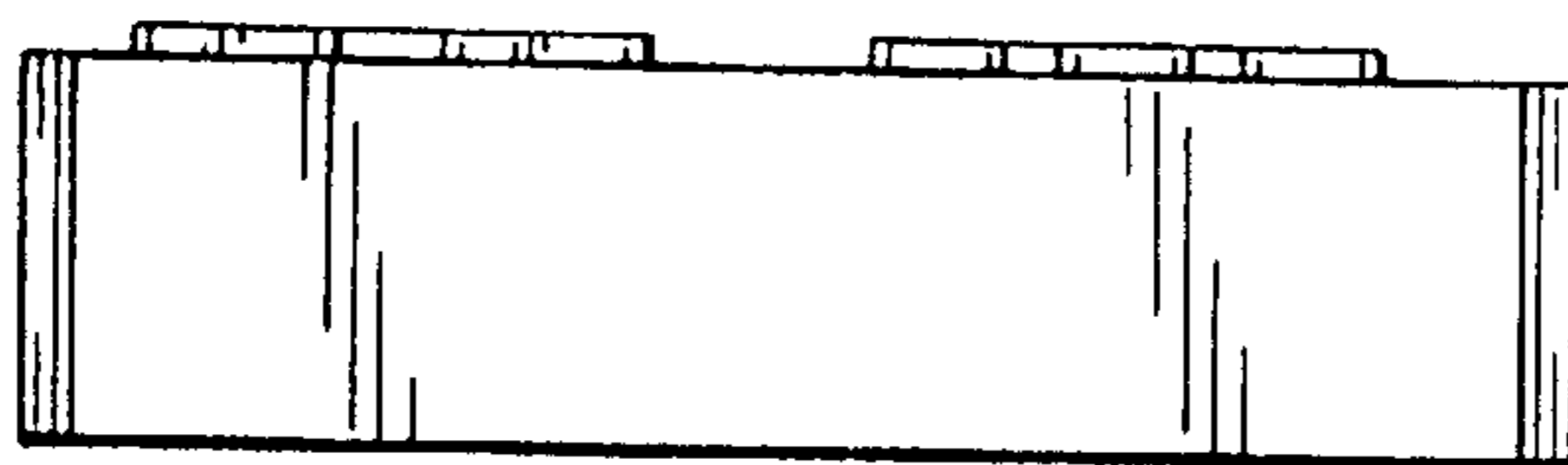


FIG. 5