



US00D406838S

# United States Patent [19] Forget

[11] Patent Number: Des. 406,838

[45] Date of Patent: \*\*Mar. 16, 1999

[54] MODULAR TELEPHONE SET

[75] Inventor: Luc Forget, Kanata, Canada

[73] Assignee: Mitel Corporation, Kanata, Canada

[\*\*] Term: 14 Years

[21] Appl. No.: 89,715

[22] Filed: Jun. 22, 1998

5,408,044 4/1995 Spiegel ..... 174/52.1  
5,436,969 7/1995 Kobayashi ..... 379/433  
5,657,370 8/1997 Tsugane et al. .... 379/433 X

Primary Examiner—Jeffrey Asch  
Attorney, Agent, or Firm—E. E. Pascal; R. A. Wilkes

### [57] CLAIM

The ornamental design for a modular telephone set, as shown and described.

### DESCRIPTION

FIG. 1 is a perspective view of modular telephone set showing my new design wherein the block has been partially inserted into the base;

FIG. 2 is a perspective view thereof wherein the block is completely inserted into the base;

FIG. 3 is an isometric view of the base of the design, showing the front;

FIG. 4 is a top view of the base;

FIG. 5 is a bottom view of the base;

FIG. 6 is a right side view of the base, the left side being a mirror image thereof;

FIG. 7 is an isometric view of the block, showing the front;

FIG. 8 is a right side of the block, the left side being a mirror image thereof;

FIG. 9 is a top view of the block;

FIG. 10 is a bottom view of the block; and,

FIG. 11 is a right side elevational view of that shown in FIG. 2, the left side being a mirror image thereof.

The rear of the block and the rear of the base are not considered to be a part of my claimed design.

The base and block have been shown separate in FIGS. 3–10 for convenience of illustration.

### Related U.S. Application Data

[62] Division of Ser. No. 055,981, Jun. 19, 1996.

### [30] Foreign Application Priority Data

Dec. 22, 1995 [CA] Canada ..... 1995-2906

[51] LOC (6) Cl. .... 14-03

[52] U.S. Cl. .... D14/147

[58] Field of Search ..... D14/137, 100,  
D14/138, 107, 147–148, 247–248, 250,  
140–142, 114, 116, 240, 218, 191, 144,  
146; 379/433–436, 419, 420, 428, 440;  
455/550, 757, 90, 556, 558, 566, 347; D13/168;  
D10/65, 78; 174/52.1

### [56] References Cited

#### U.S. PATENT DOCUMENTS

D. 301,467 6/1989 Pitkonen ..... D14/138  
D. 352,708 11/1994 Rossi ..... D14/148  
D. 370,213 5/1996 Iwamoto et al. .... D14/114 X  
D. 371,550 7/1996 Tomkowicz ..... D14/146  
5,151,946 9/1992 Mortensson ..... 379/433 X  
5,369,788 11/1994 Nagai ..... 455/90

1 Claim, 3 Drawing Sheets

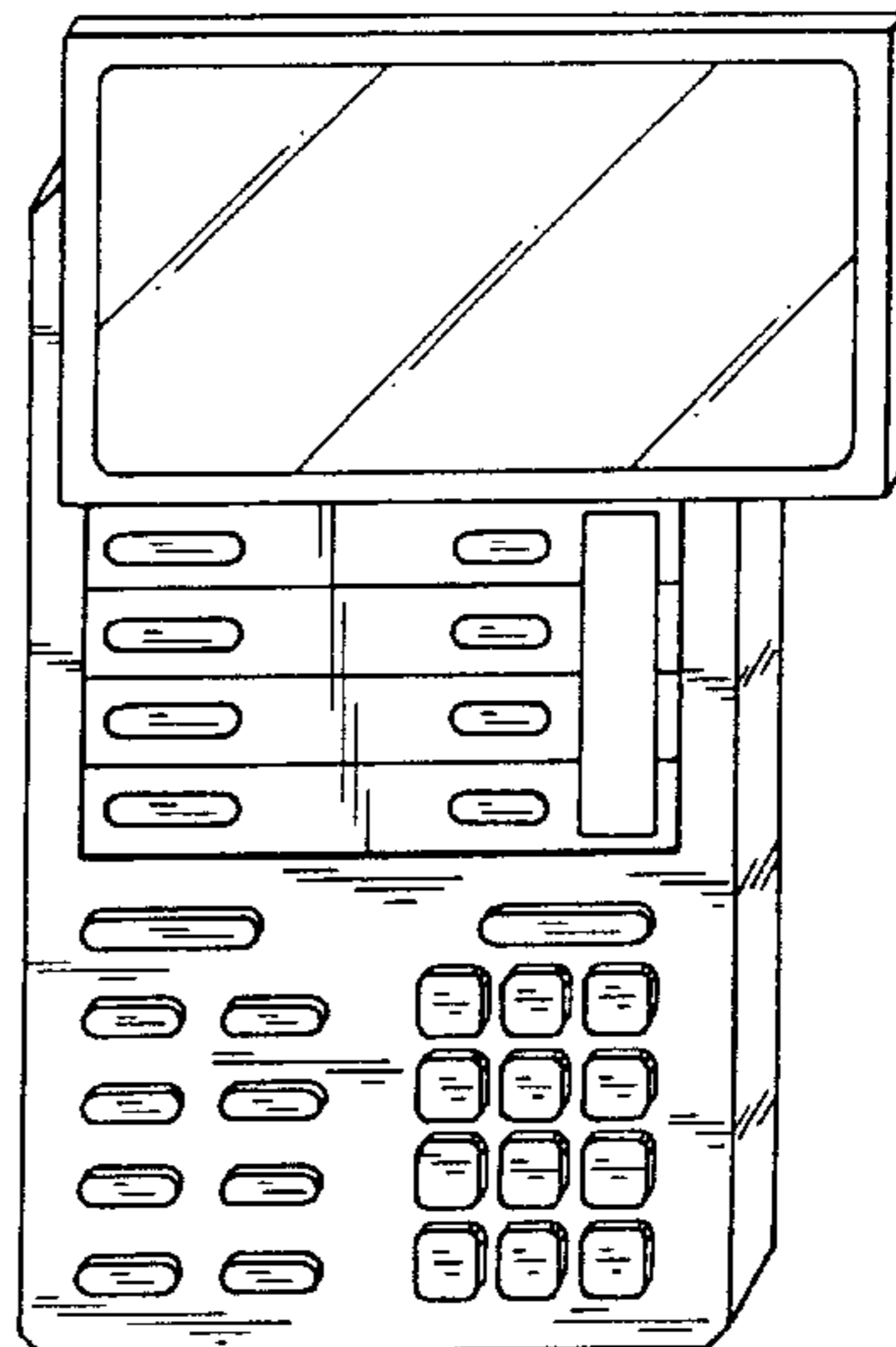
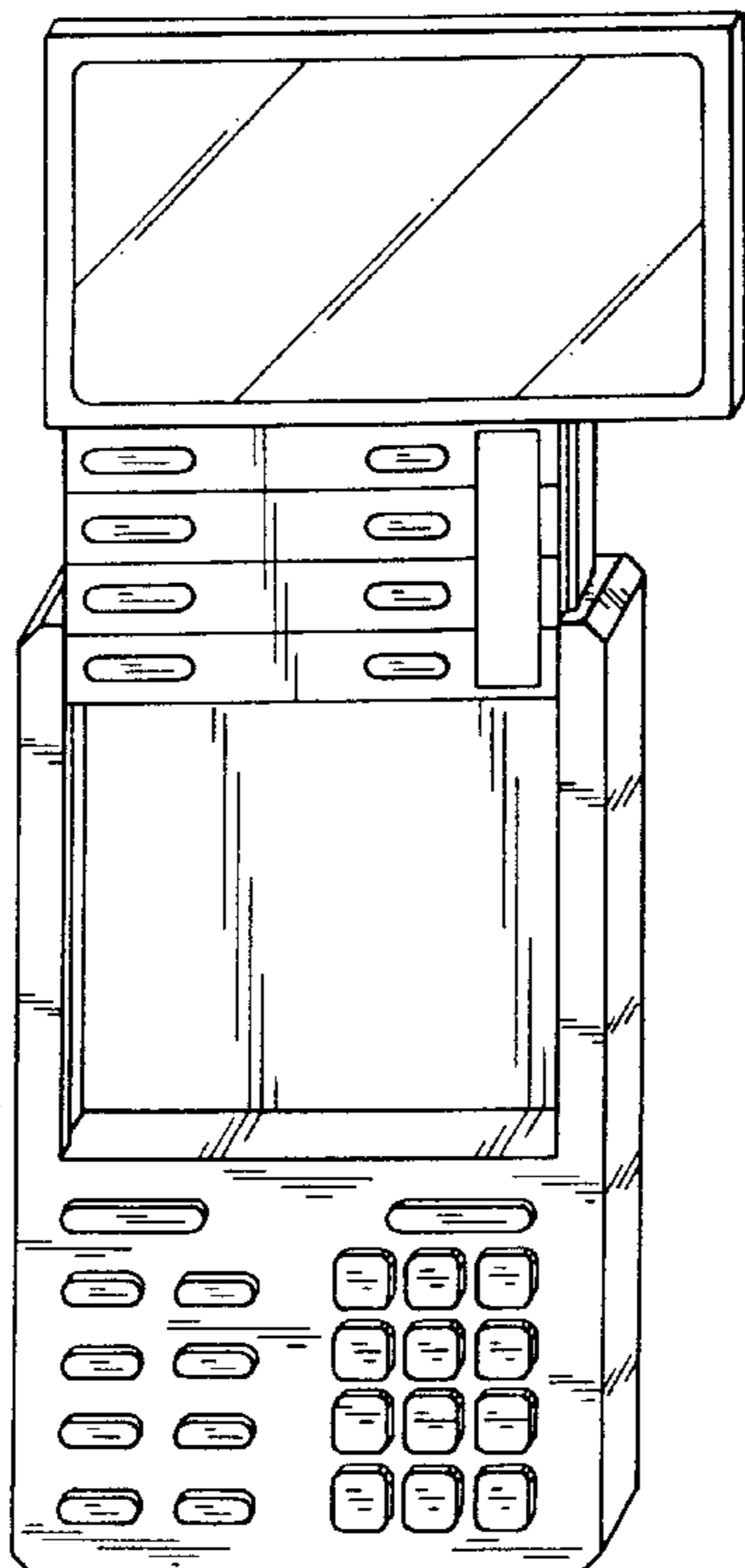


FIG. 2

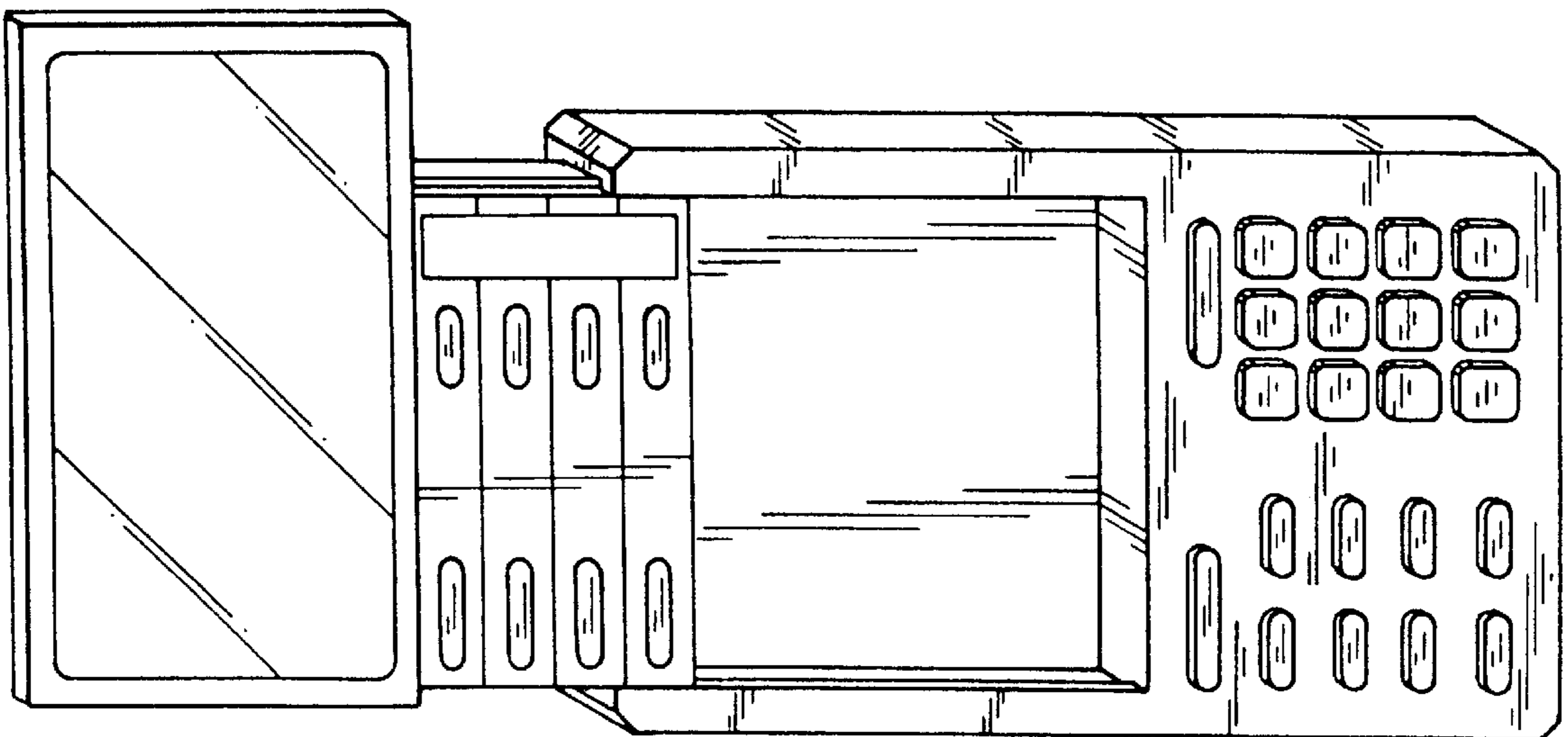
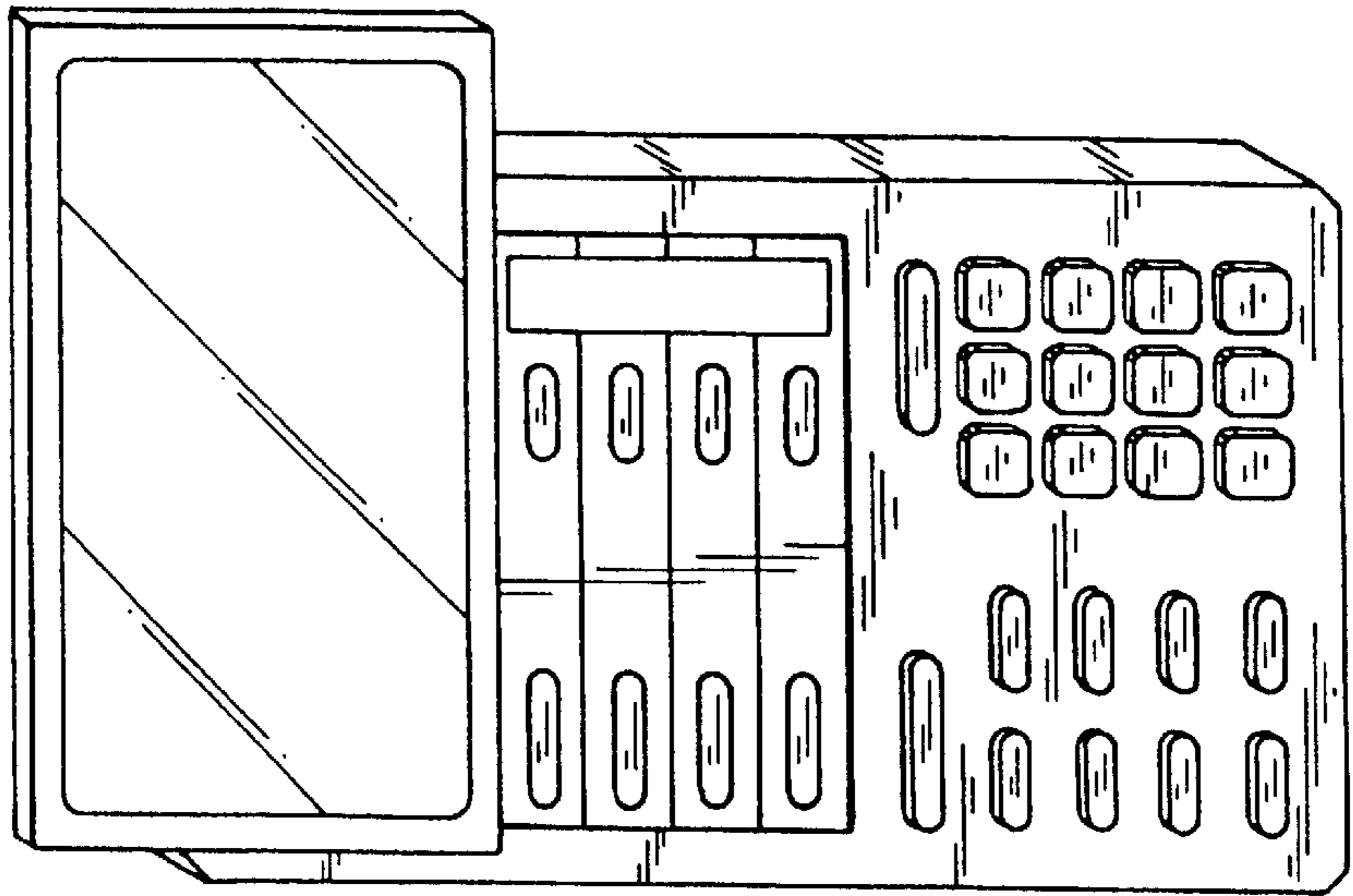
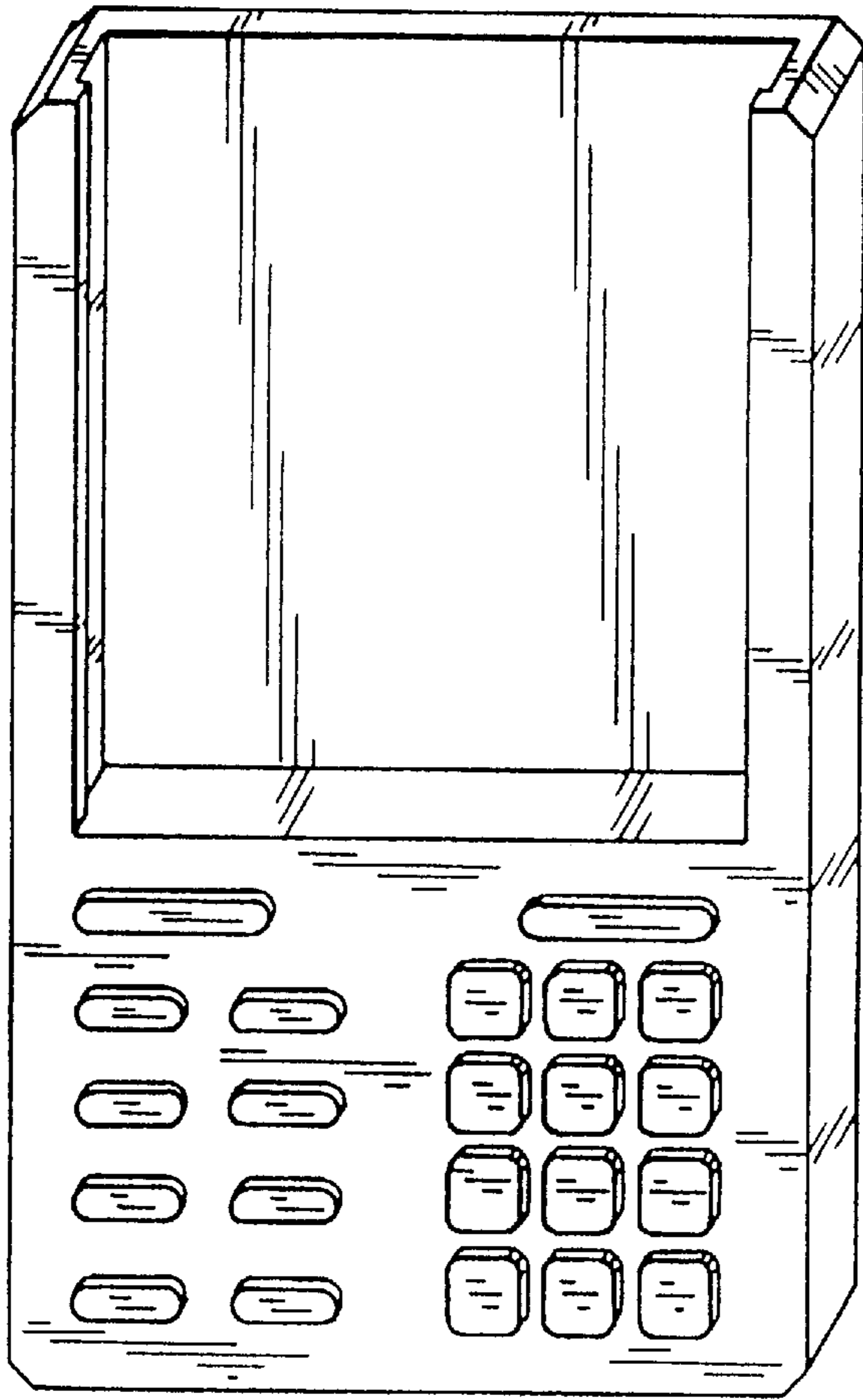
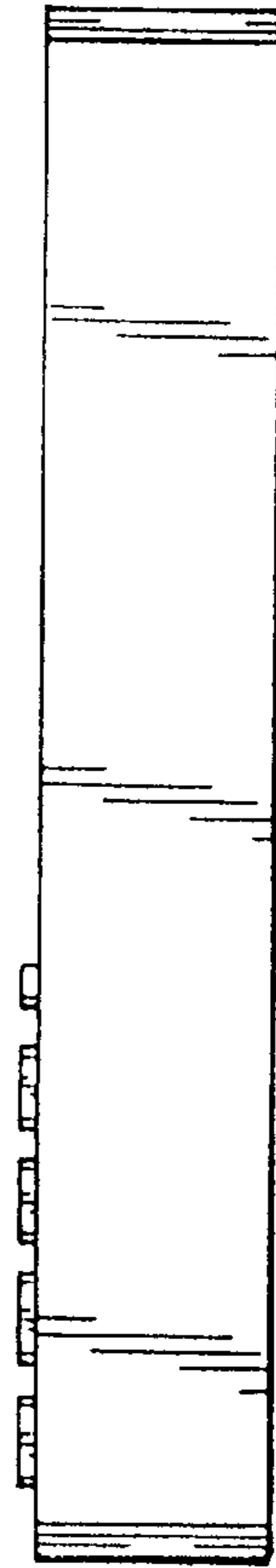


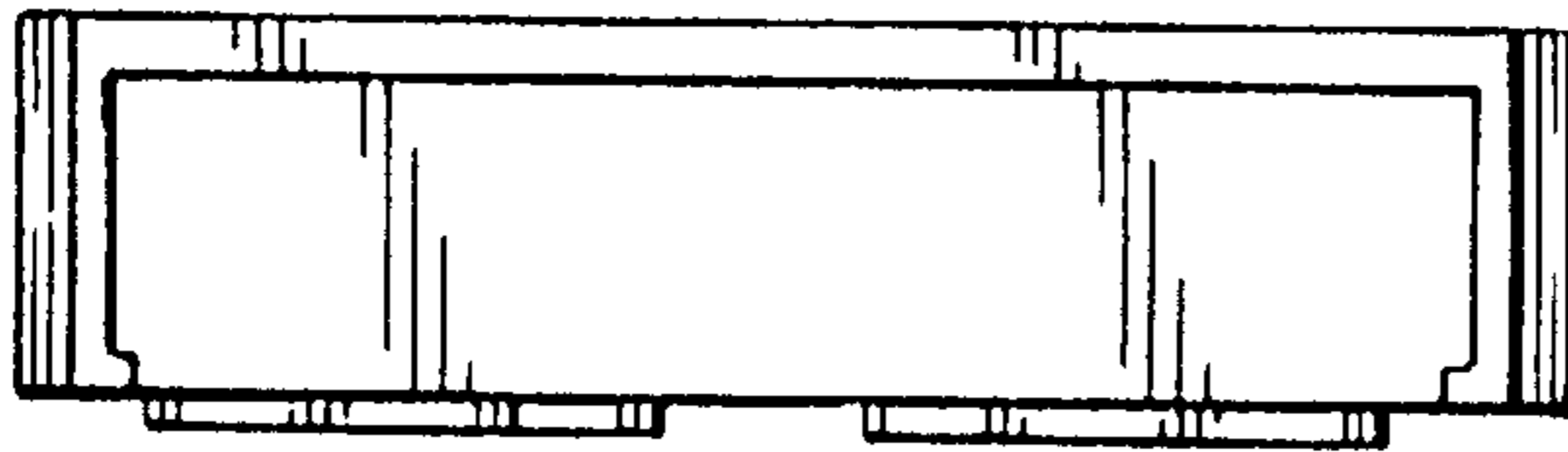
FIG. 1



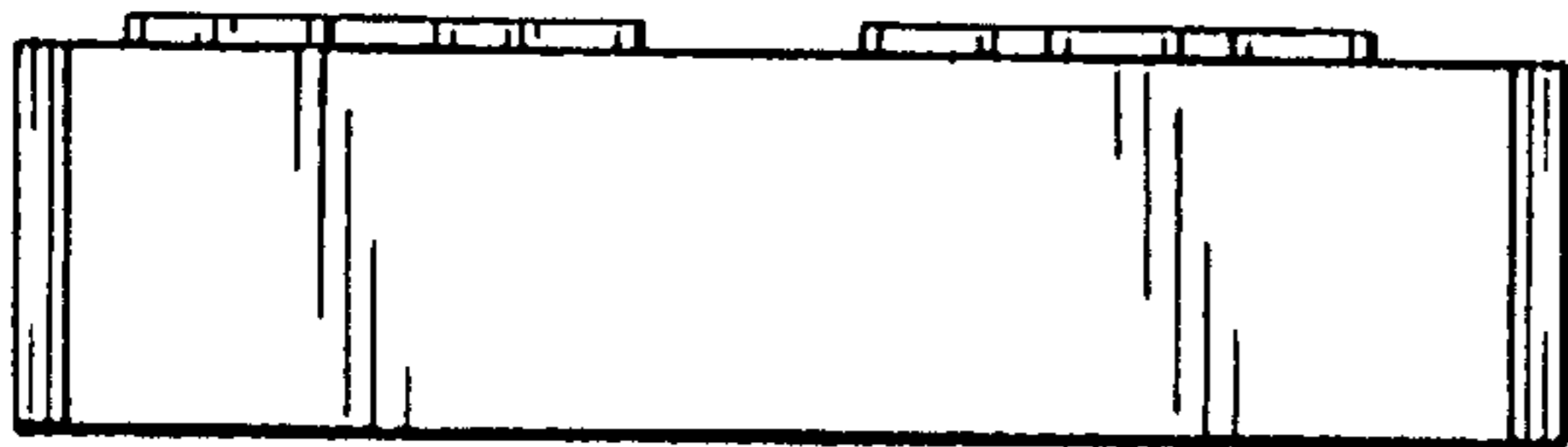
**FIG. 3**



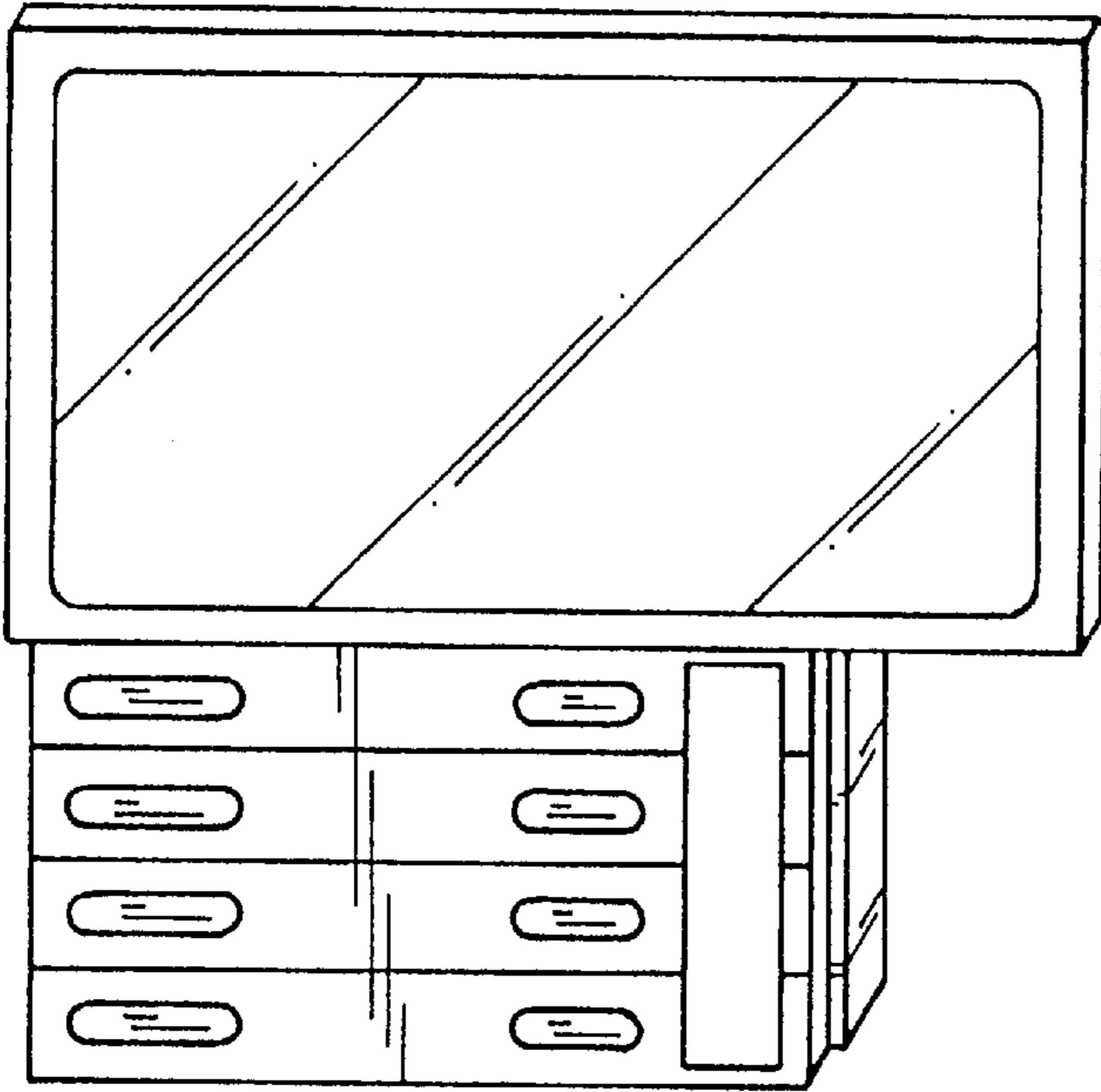
**FIG. 6**



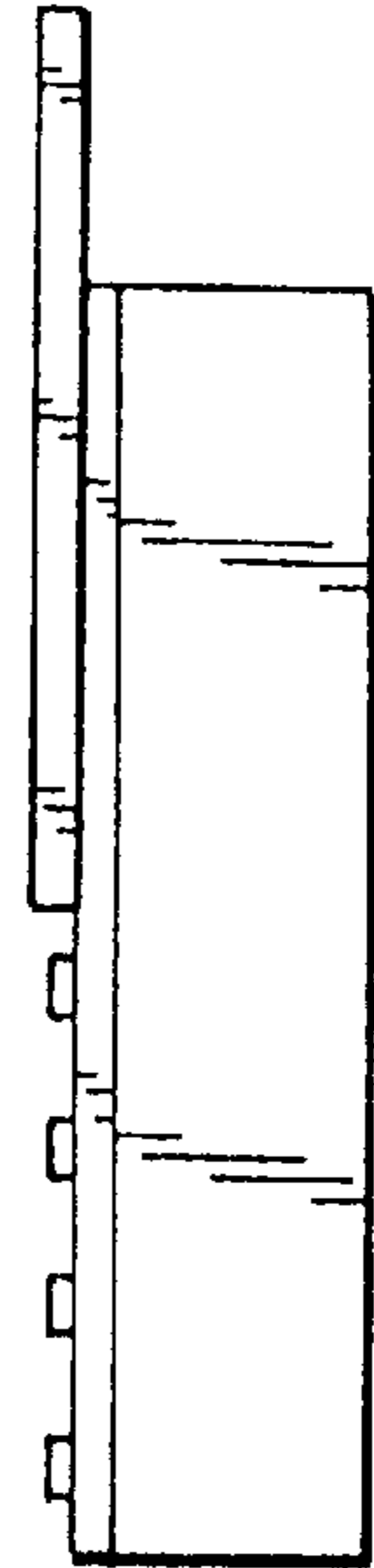
**FIG. 4**



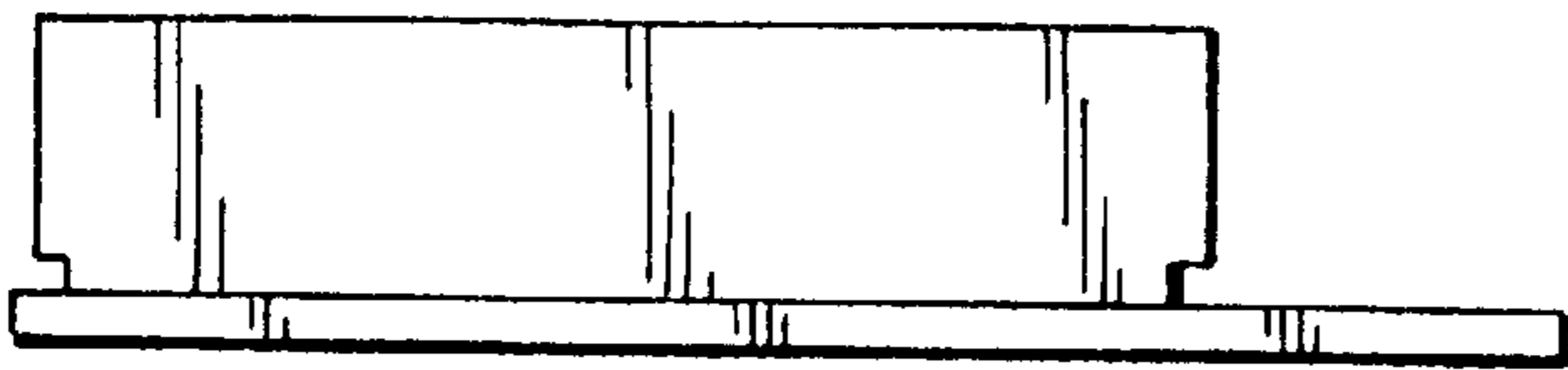
**FIG. 5**



**FIG. 7**



**FIG. 8**



**FIG. 9**



**FIG. 10**



**FIG. 11**