



US00D406837S

United States Patent [19] Forget

[11] **Patent Number: Des. 406,837**

[45] **Date of Patent: **Mar. 16, 1999**

[54] **MODULAR TELEPHONE SET**

[75] Inventor: **Luc Forget**, Kanata, Canada

[73] Assignee: **Mitel Corporation**, Kanata, Canada

[**] Term: **14 Years**

[21] Appl. No.: **89,714**

[22] Filed: **Jun. 22, 1998**

5,408,044 4/1995 Spiegel 174/52.1
5,436,969 7/1995 Kobayashi 379/433
5,657,370 8/1997 Tsugane et al. 379/433 X

Primary Examiner—Jeffrey Asch
Attorney, Agent, or Firm—E. E. Pascal; R. A. Wilkes

[57] CLAIM

The ornamental design for a modular telephone set, as shown and described.

DESCRIPTION

FIG. 1 is a perspective view of modular telephone set showing my new design wherein the block has been partially inserted into the base;

FIG. 2 is a perspective view thereof wherein the block is completely inserted into the base;

FIG. 3 is an isometric view of the base of the design, showing the front;

FIG. 4 is a top view of the base;

FIG. 5 is a bottom view of the base;

FIG. 6 is a right side view of the base, the left side being a mirror image thereof;

FIG. 7 is an isometric view of the block;

FIG. 8 is a right side of the block, the left side being a mirror image thereof;

FIG. 9 is a right side elevational view of that shown in FIG. 2, the left side being a mirror image thereof;

FIG. 10 is a top plan view of the block; and,

FIG. 11 is a bottom plan view of the block.

The rear of the block and the rear of the base are not considered to be a part of my claimed design.

The base and block have been shown separate in FIGS. 3–8 and 10–11 for convenience of illustration.

Related U.S. Application Data

[62] Division of Ser. No. 55,981, Jun. 19, 1996, Pat. No. Des. 401,234.

[30] Foreign Application Priority Data

Dec. 22, 1995 [CA] Canada 1995-2906

[51] **LOC (6) Cl.** **14-03**

[52] **U.S. Cl.** **D14/147**

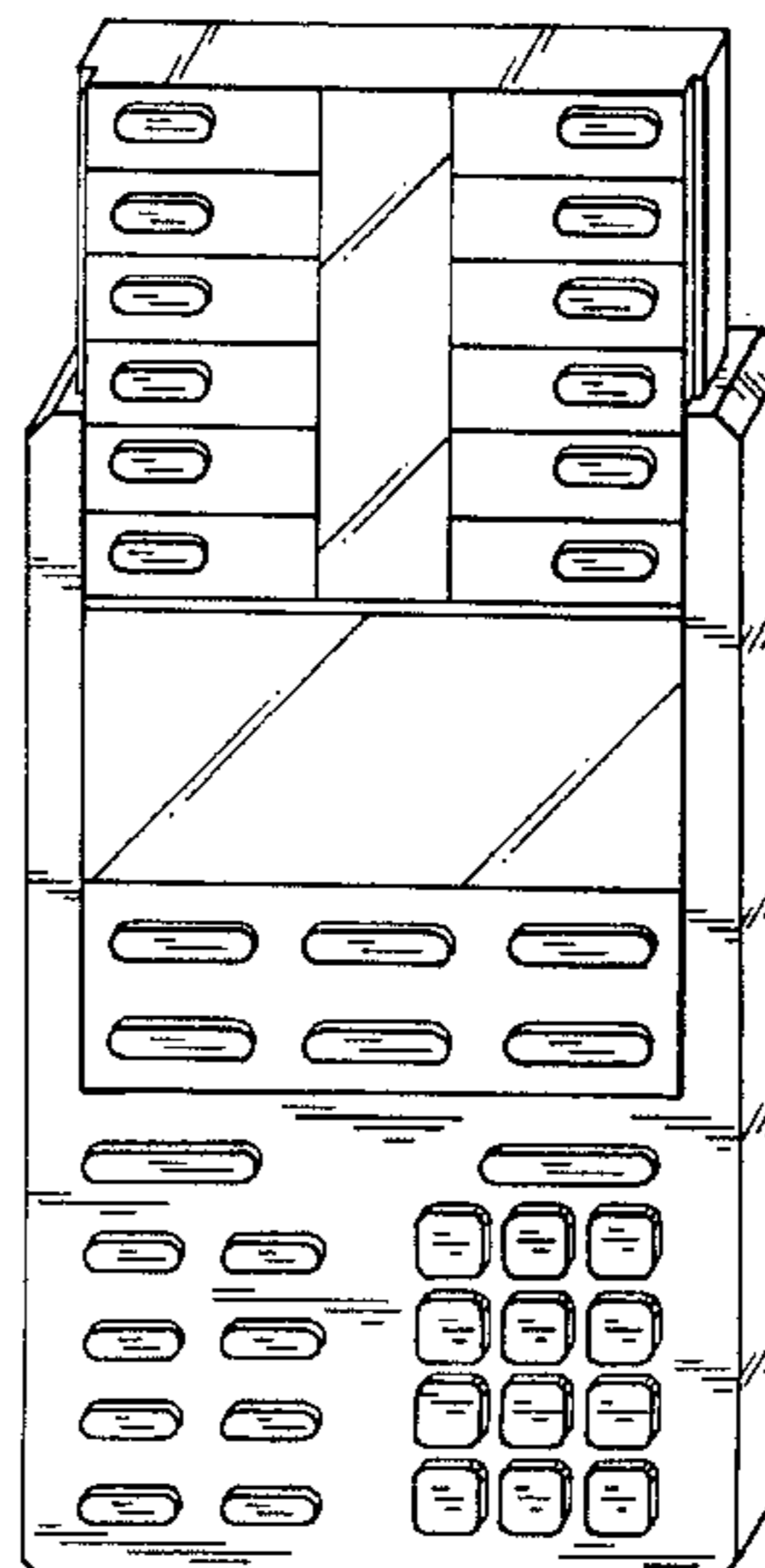
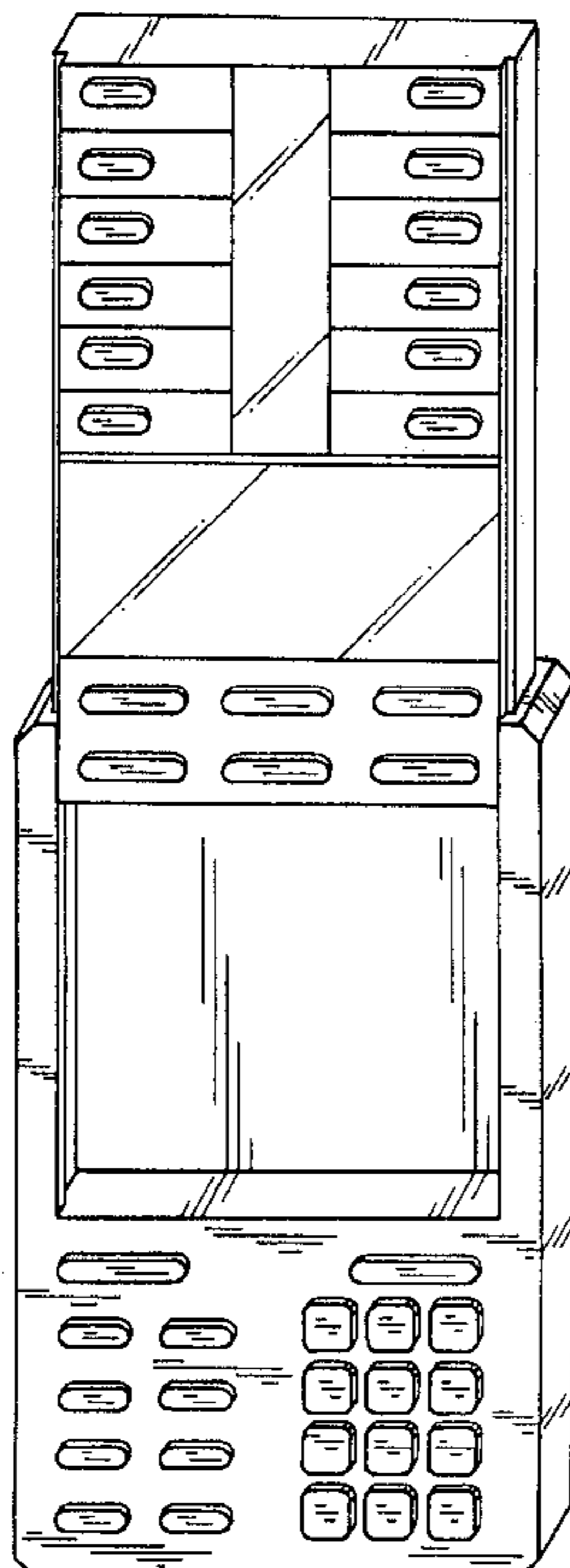
[58] **Field of Search** D14/137, 100,
D14/138, 107, 147–148, 247–248, 250,
140–142, 114, 116, 240, 218, 191, 144,
146; 379/433–436, 419, 420, 428, 440;
455/550, 575, 90, 556, 558, 566, 347; D13/168;
D10/65, 78; 174/52.1

[56] References Cited

U.S. PATENT DOCUMENTS

D. 301,467 6/1989 Pitkonen D14/138
D. 352,708 11/1994 Rossi D14/148
D. 370,213 5/1996 Iwamoto et al. D14/114 X
D. 371,550 7/1996 Tomkowicz D14/146
5,151,946 9/1992 Martensson 379/433 X
5,369,788 11/1994 Nagai 455/90

1 Claim, 3 Drawing Sheets



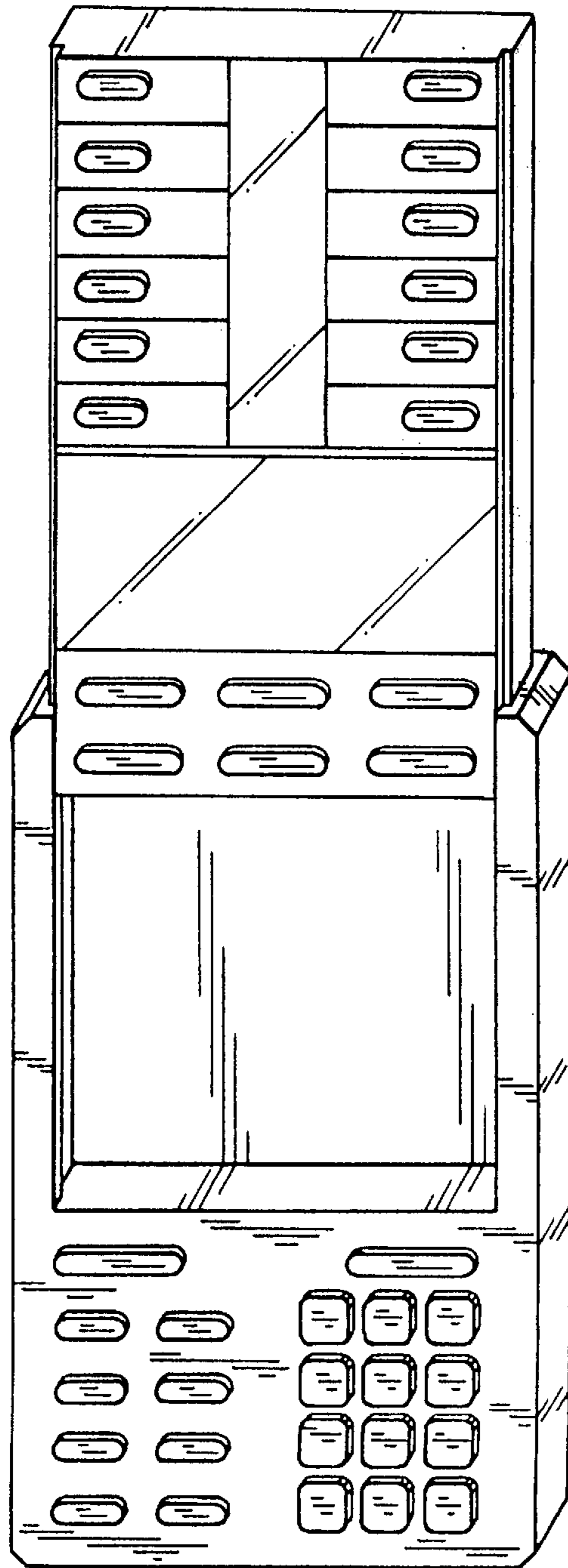


FIG. 1

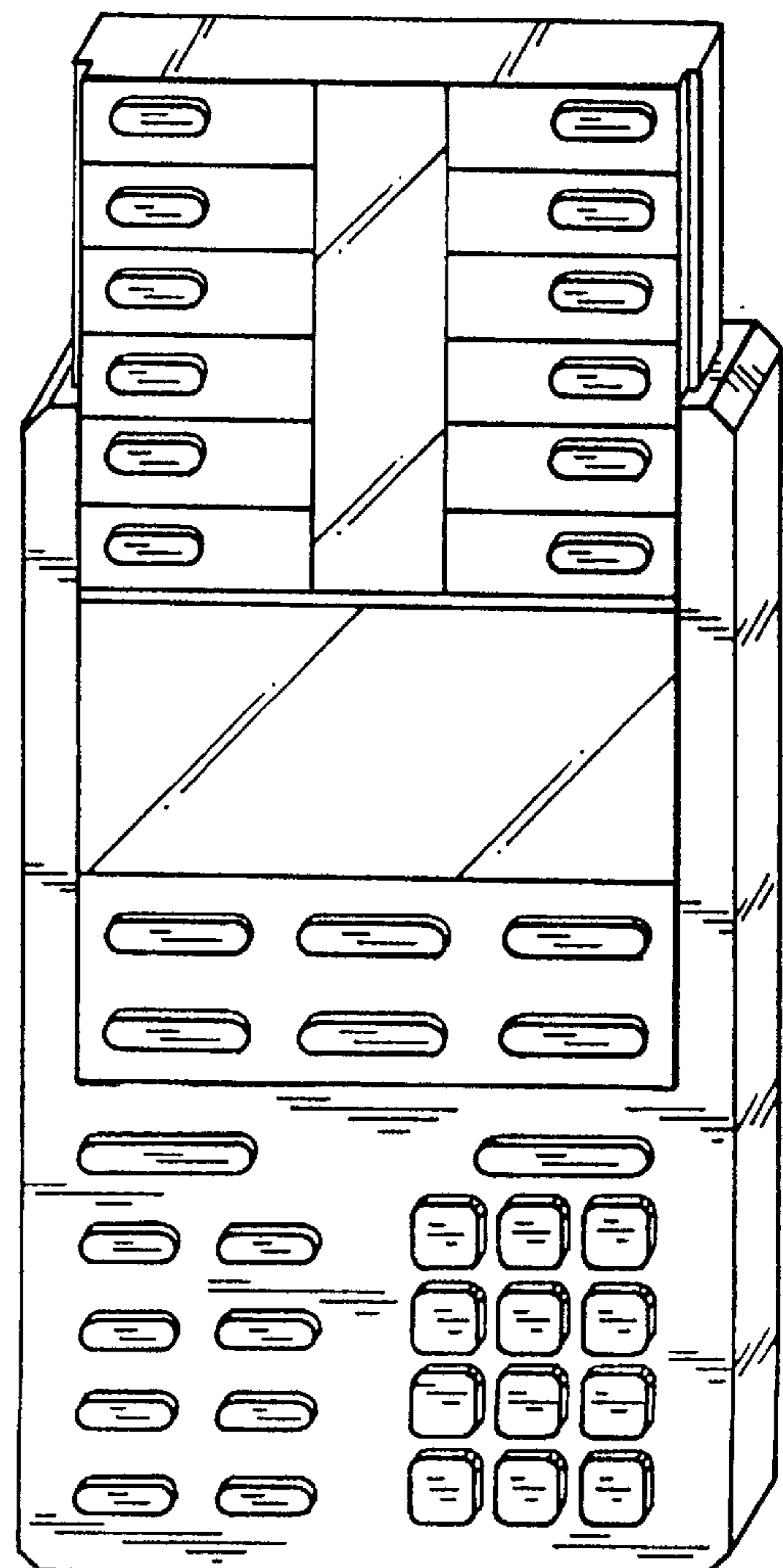


FIG. 2

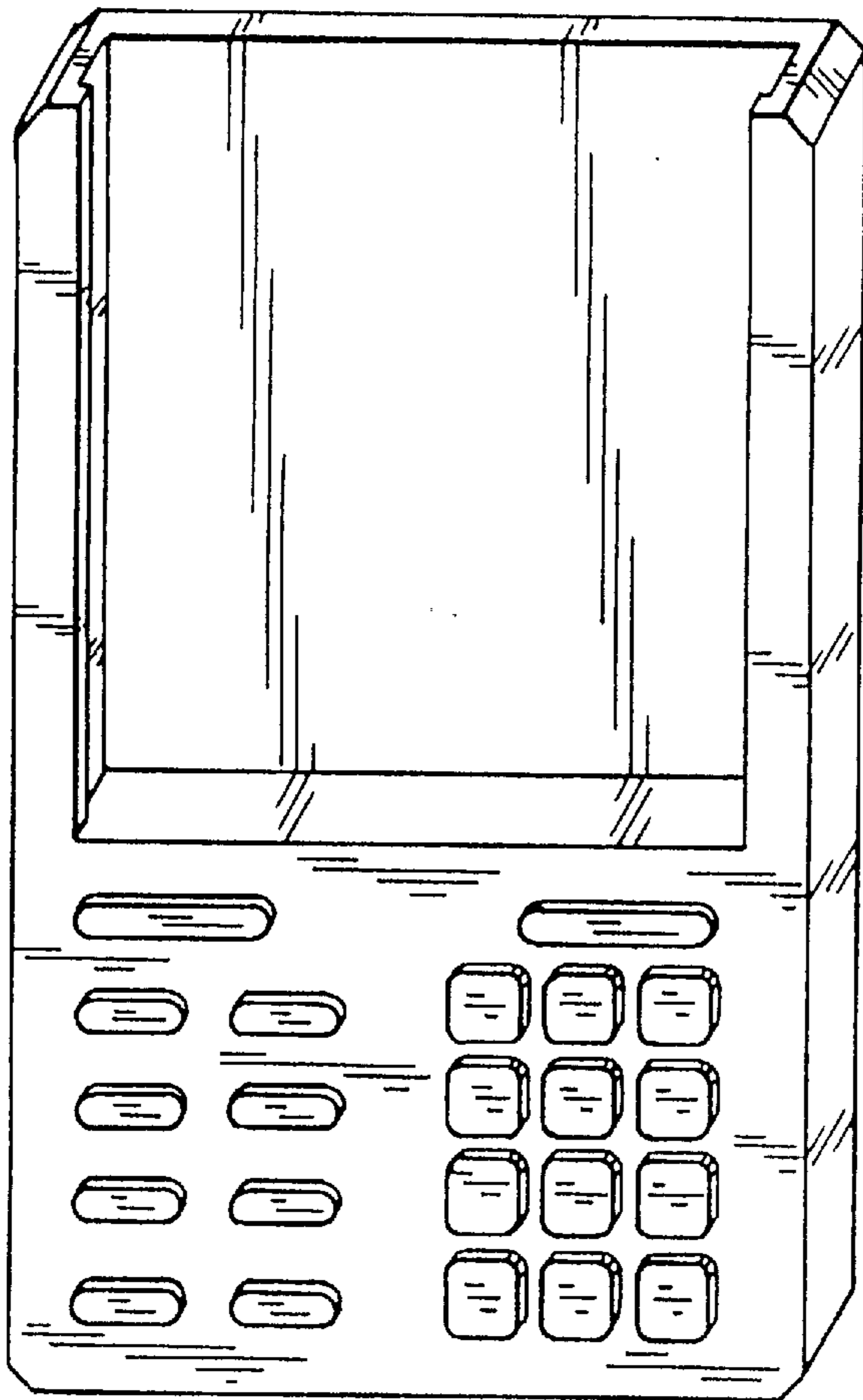


FIG. 3

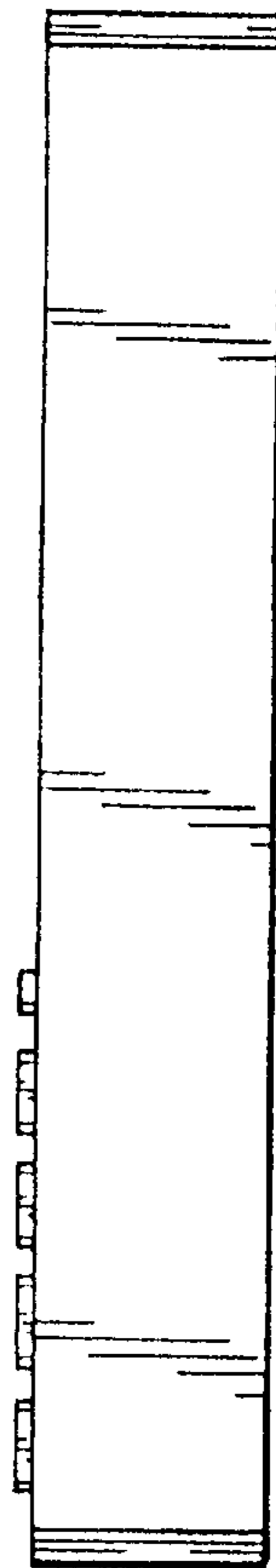


FIG. 6

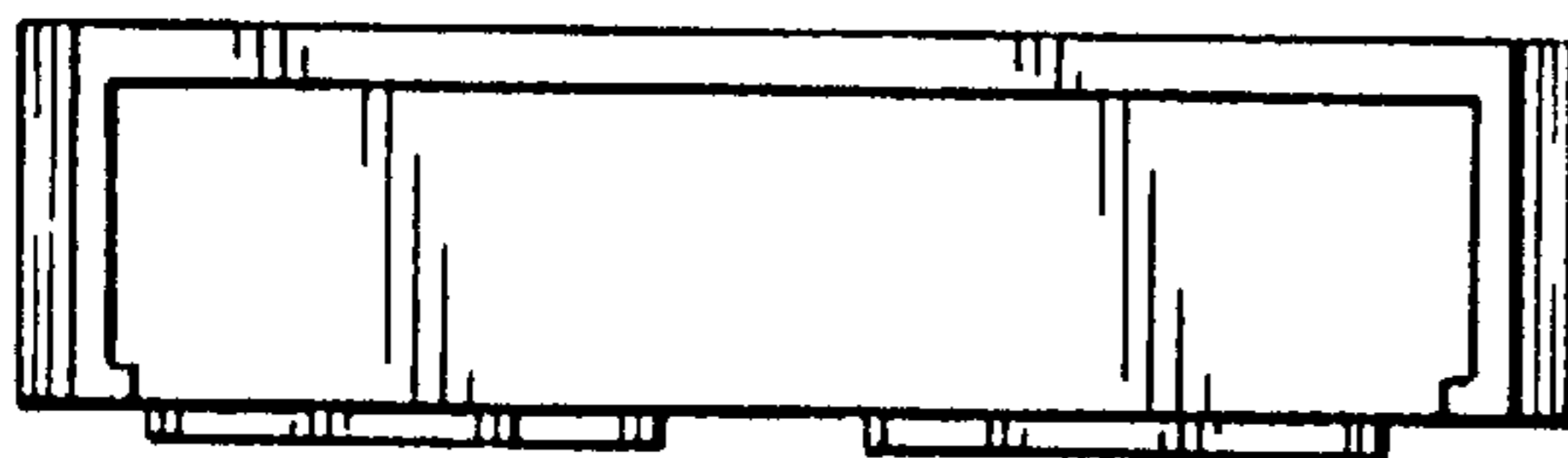


FIG. 4

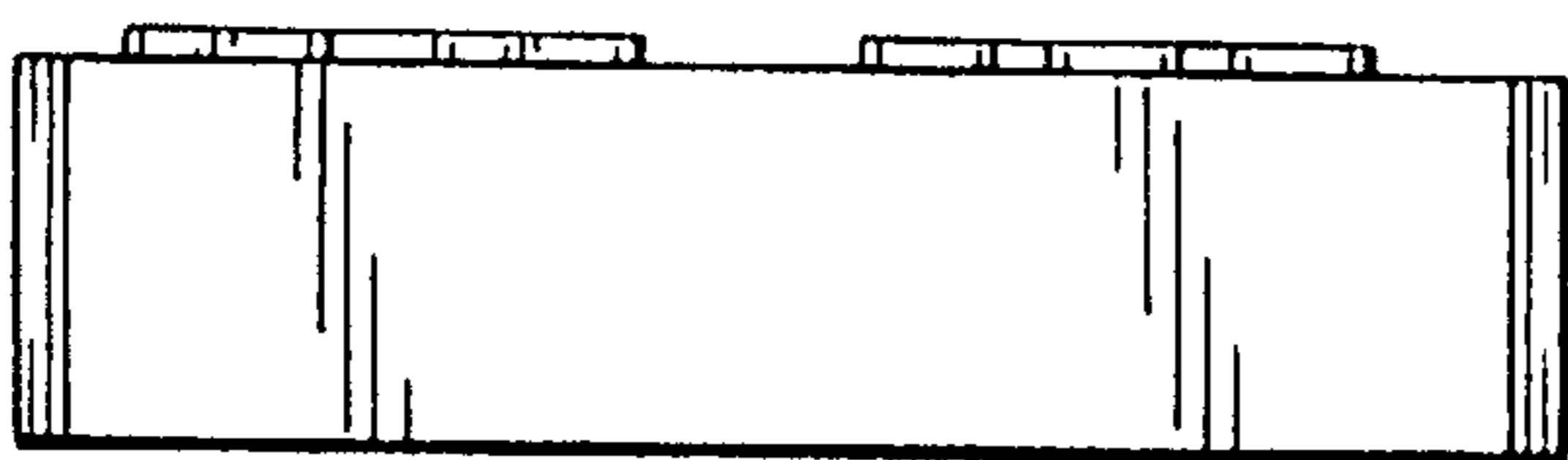


FIG. 5

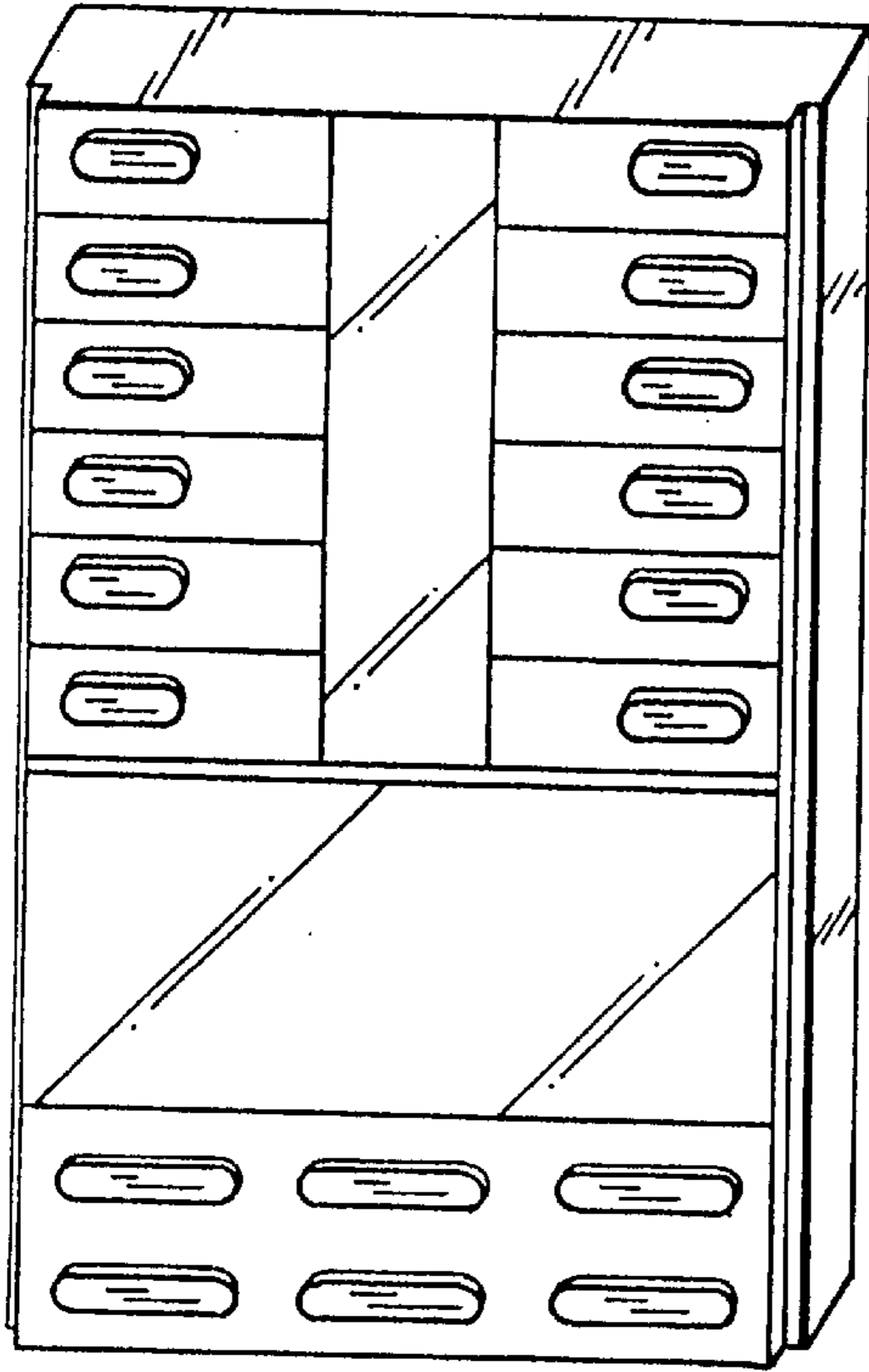


FIG. 7

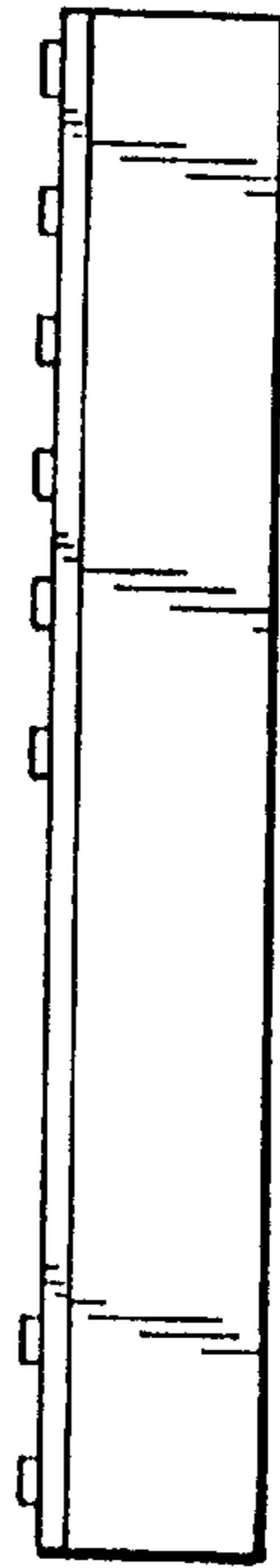


FIG. 8

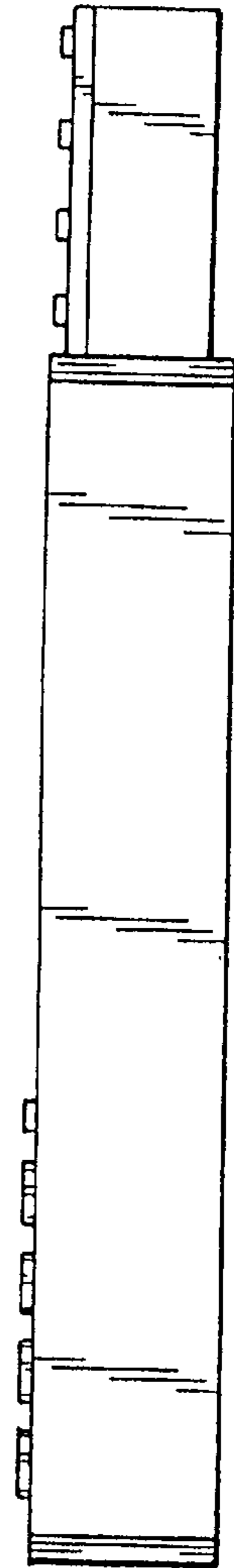


FIG. 9

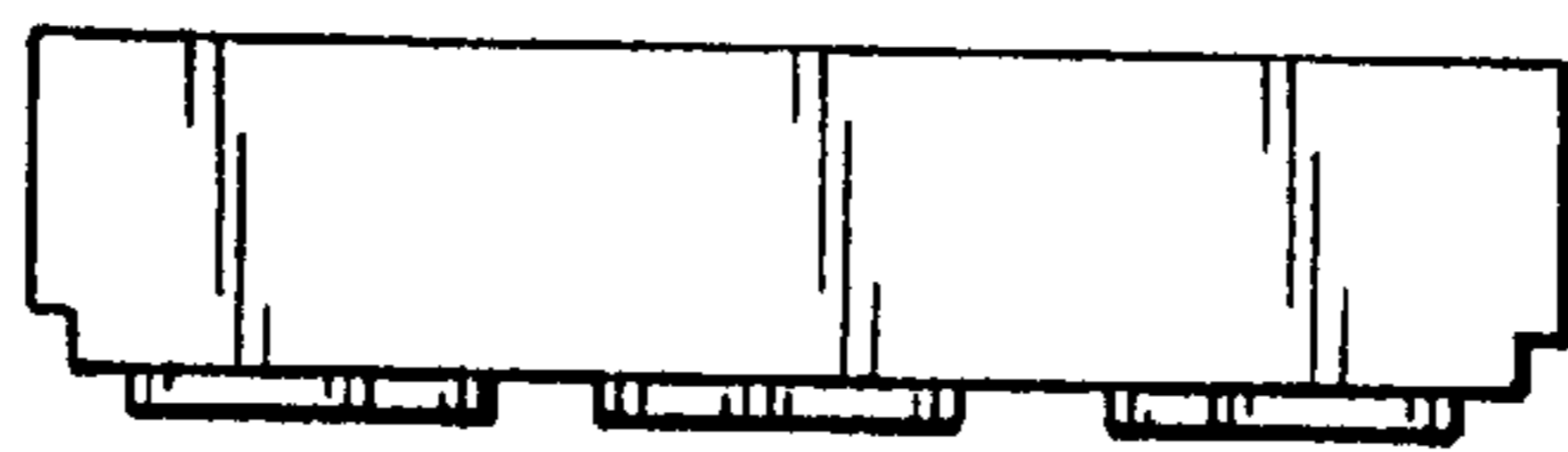


FIG. 10

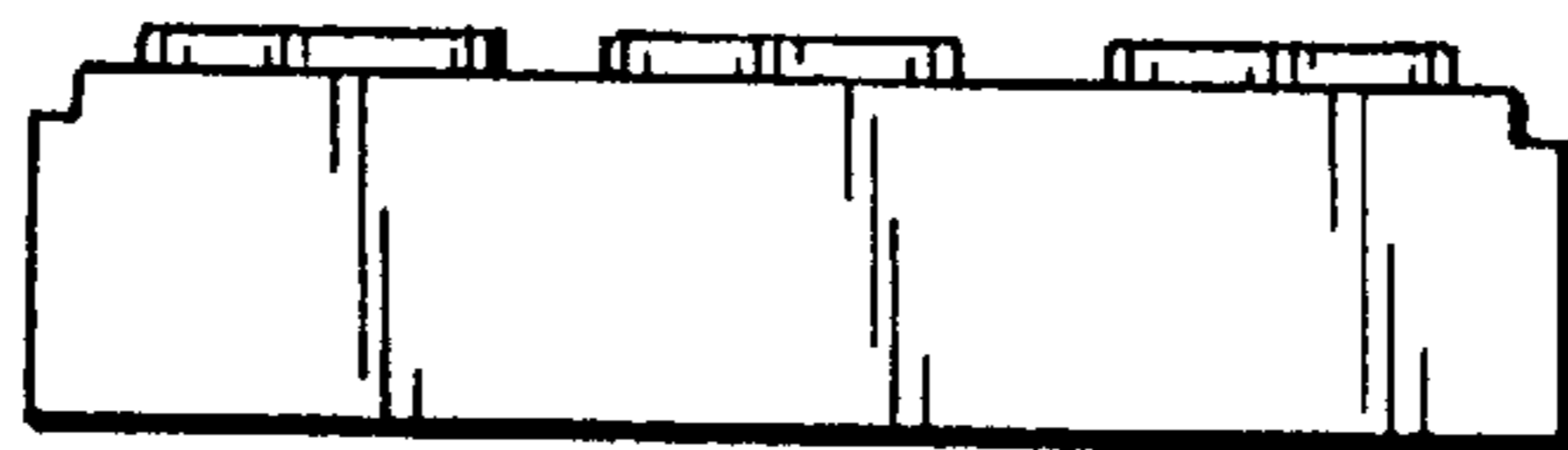


FIG. 11