



US00D406828S

# United States Patent [19]

[11] **Patent Number: Des. 406,828**

**Newton et al.**

[45] **Date of Patent: \*\*Mar. 16, 1999**

[54] **ICON FOR A COMPUTER SCREEN**

D. 390,548	2/1998	Maekawa et al.	.....	D14/114.5
D. 392,276	3/1998	Wanishi et al.	.....	D14/114.3
D. 396,224	7/1998	Ryan	.....	D14/114.9
D. 398,594	9/1998	Tullis	.....	D14/114.2

[75] Inventors: **James W. Newton**, Belmont; **Larry M. Hoffman**, Mountain View, both of Calif.

[73] Assignee: **Sun Microsystems, Inc.**, Palo Alto, Calif.

*Primary Examiner*—M. H. Tung  
*Attorney, Agent, or Firm*—Erwin J. Basinski; Patrick J. S. Inōuye; Ken Olsen

[\*\*] Term: **14 Years**

[21] Appl. No.: **75,424**

## [57] CLAIM

[22] Filed: **Aug. 18, 1997**

The ornamental design for a icon for a computer screen, as shown and described.

### Related U.S. Application Data

### DESCRIPTION

[62] Division of Ser. No. 52,231, Mar. 26, 1996, Pat. No. Des. 390,212.

[51] **LOC (6) Cl.** ..... **14-02**

[52] **U.S. Cl.** ..... **D14/114.5**

[58] **Field of Search** ..... D14/114, 114.1-114.9; D18/24-27; D19/6; D10/11; 345/326, 339-40, 347-57

FIG. 1 is a front perspective view of an icon for a computer screen comprising the present invention, the broken line drawing of a computer screen is for illustrative purposes only and forms no part of the claimed design; and,

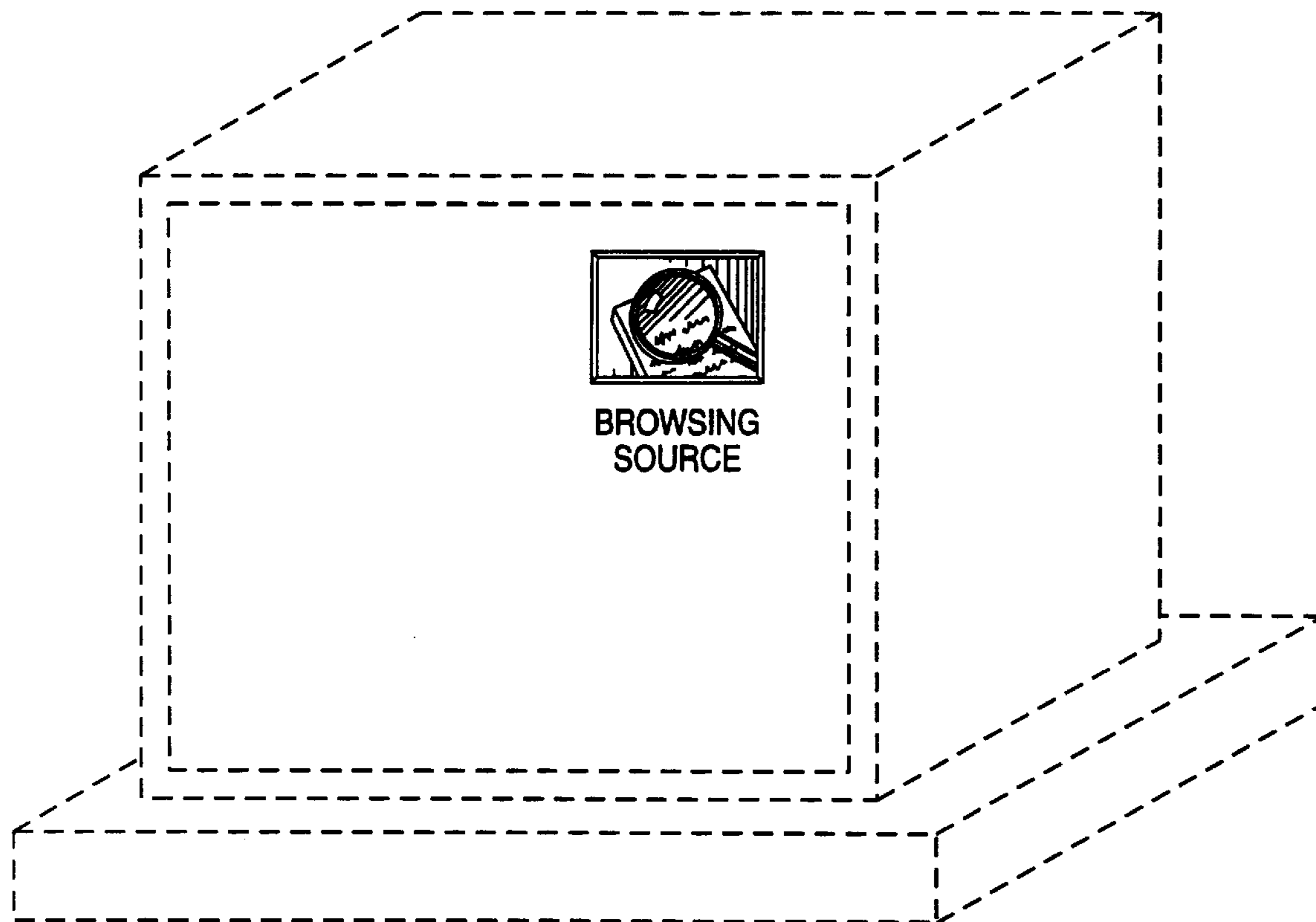
FIG. 2 is a front view thereof, on an enlarged scale, the broken line drawing of a computer screen is for illustrative purposes only and forms no part of the claimed design.

### [56] References Cited

#### U.S. PATENT DOCUMENTS

D. 388,777 1/1998 Newton et al. .... D14/114.2

**1 Claim, 2 Drawing Sheets**



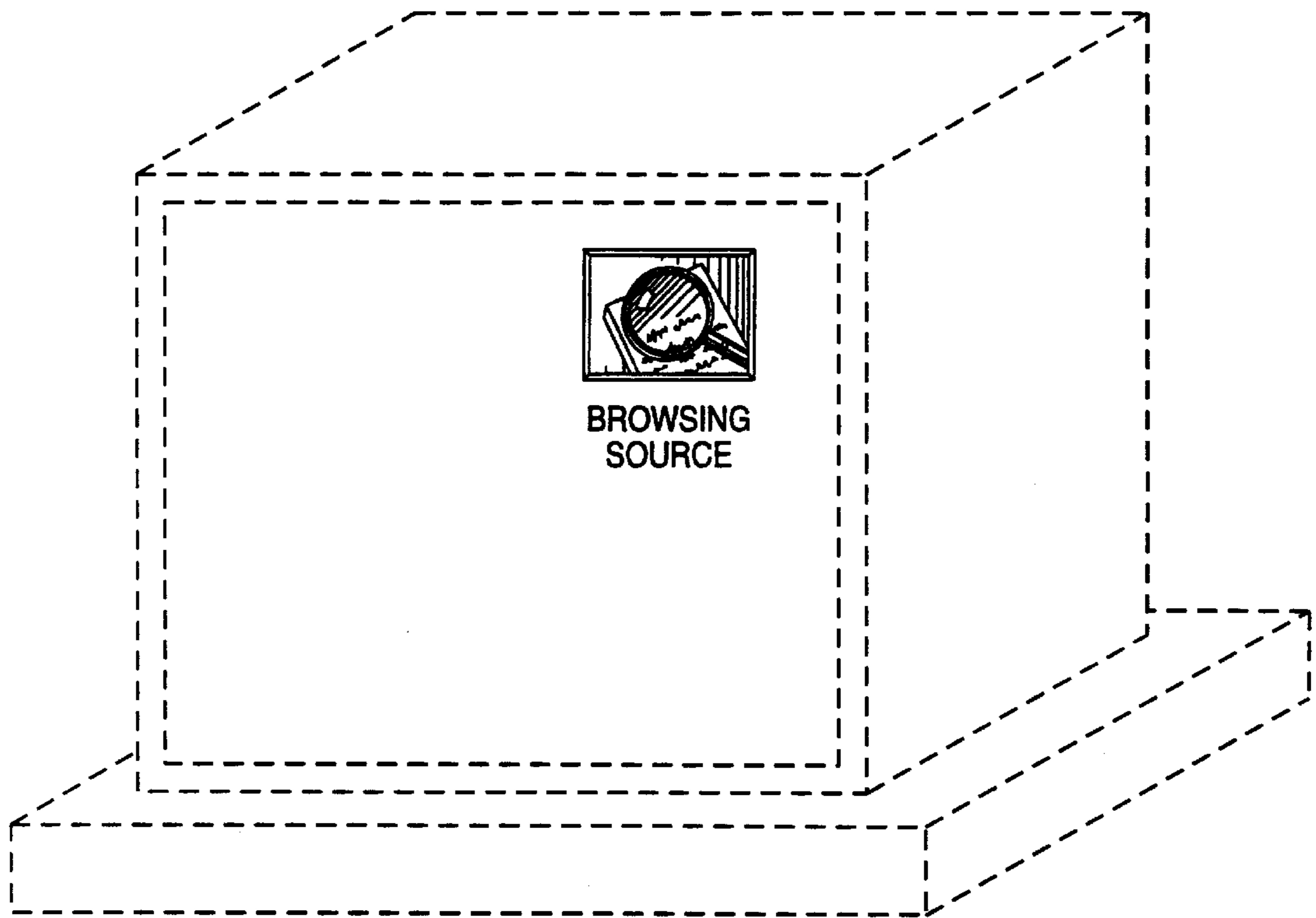


FIG. 1



FIG. 2