



US00D406825S

United States Patent [19]

Tsai

[11] Patent Number: **Des. 406,825**

[45] Date of Patent: ****Mar. 16, 1999**

[54] **COMBINED KEYSWITCH AND JOYSTICK FOR A COMPUTER KEYBOARD**

D. 387,043 12/1997 Cheng D14/114
D. 388,057 12/1997 Miki et al. D14/114

[76] Inventor: **Hou-Lu Tsai**, No. 126-1, Shui-Nan Rd., Taichung City, Taiwan

Primary Examiner—M. H. Tung
Attorney, Agent, or Firm—Oblon, Spivak, McClelland, Maier & Neustadt, P.C.

[**] Term: **14 Years**

[57] CLAIM

[21] Appl. No.: **72,086**

The ornamental design for combined keyswitch and joystick for a computer keyboard, as shown and described.

[22] Filed: **Jun. 10, 1997**

DESCRIPTION

[51] **LOC (6) Cl.** **14-02**

[52] **U.S. Cl.** **D14/114**

[58] **Field of Search** D14/114, 100;
D13/158; D21/48; 200/5 R, 5 A, 6 R, 6 A;
273/148 B; 345/156-67; 74/471 XY

FIG. 1 is a perspective view of combined keyswitch and joystick for a computer keyboard showing my new design on an enlarged scale;

FIG. 2 is a front elevational view thereof;

FIG. 3 is a rear elevational view thereof;

FIG. 4 is a left side elevational view thereof;

FIG. 5 is a right side elevational view thereof;

FIG. 6 is a top plan view thereof;

FIG. 7 is a bottom plan view thereof; and,

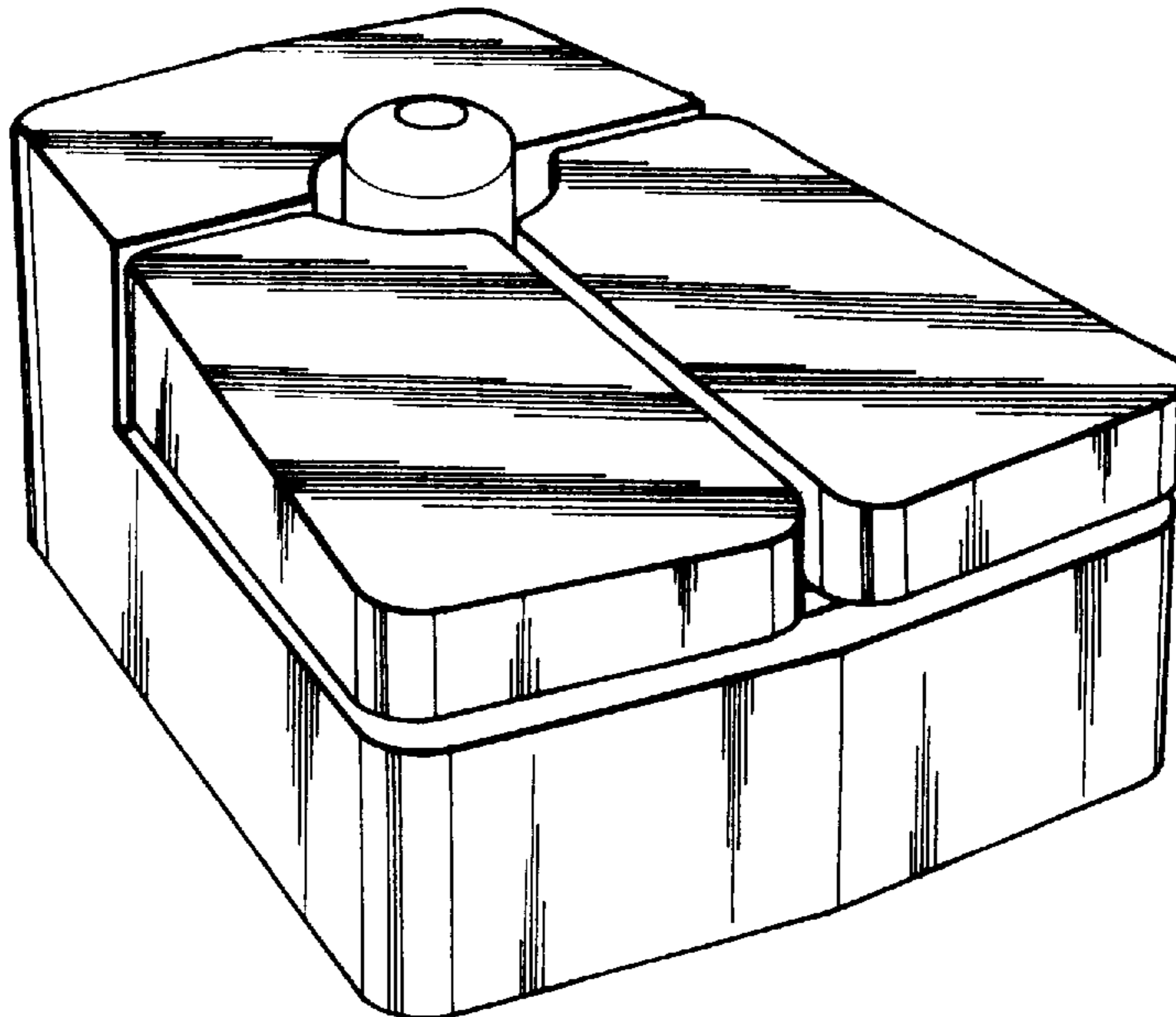
FIG. 8 is a perspective view thereof, on a reduced scale, the broken line drawing of a keyboard is for illustrative purposes only and forms no part of the claimed design.

[56] References Cited

U.S. PATENT DOCUMENTS

D. 288,569 3/1987 Ida D14/114
D. 332,093 12/1992 Yang D14/114
D. 335,658 5/1993 Barry D14/114
D. 335,874 5/1993 Chen D14/114
D. 340,923 11/1993 Tso D14/114
D. 356,788 3/1995 Mizusugi et al. D14/114
D. 368,080 3/1996 Aeschbacher et al. D14/114

1 Claim, 4 Drawing Sheets



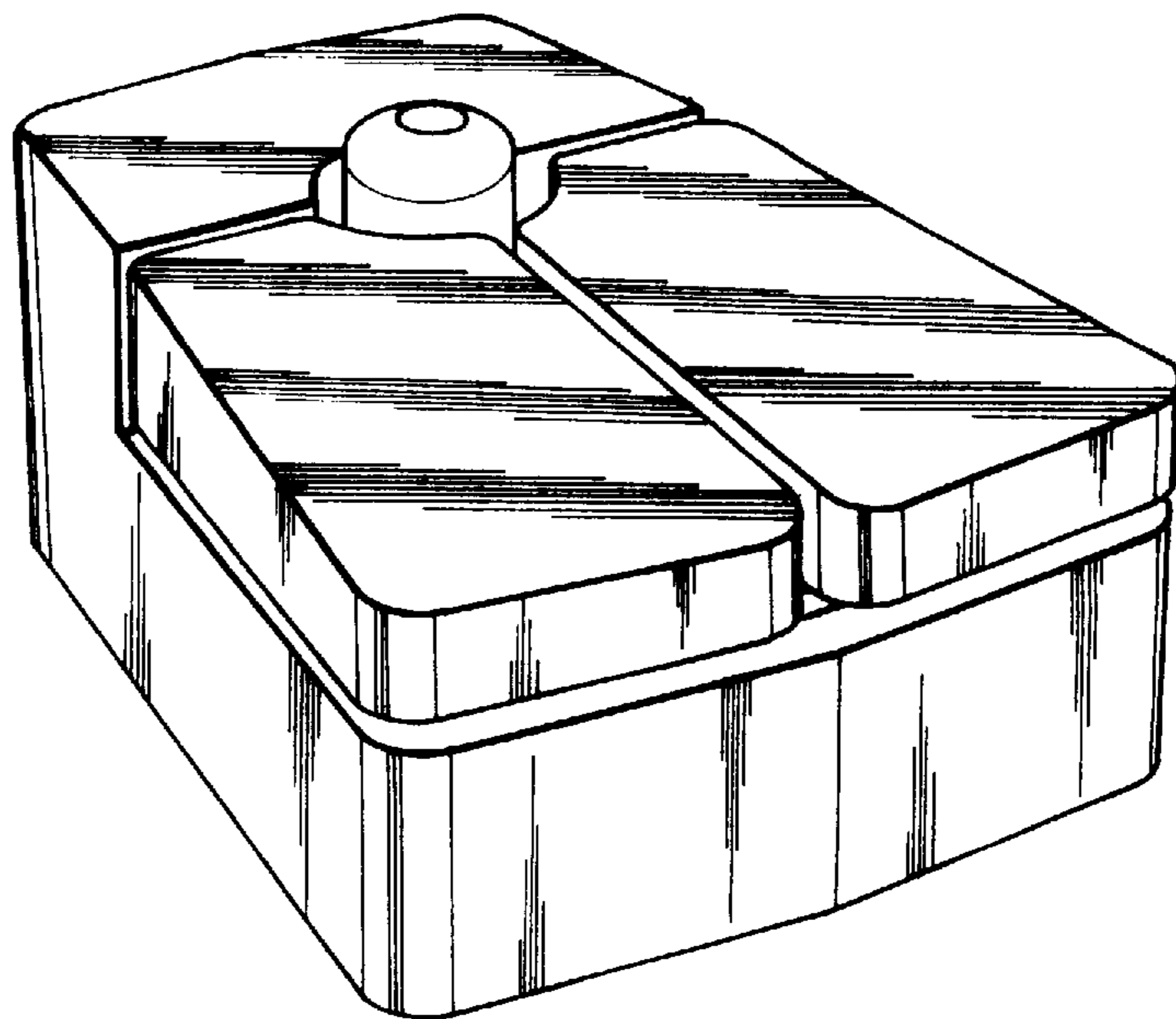


FIG. 1

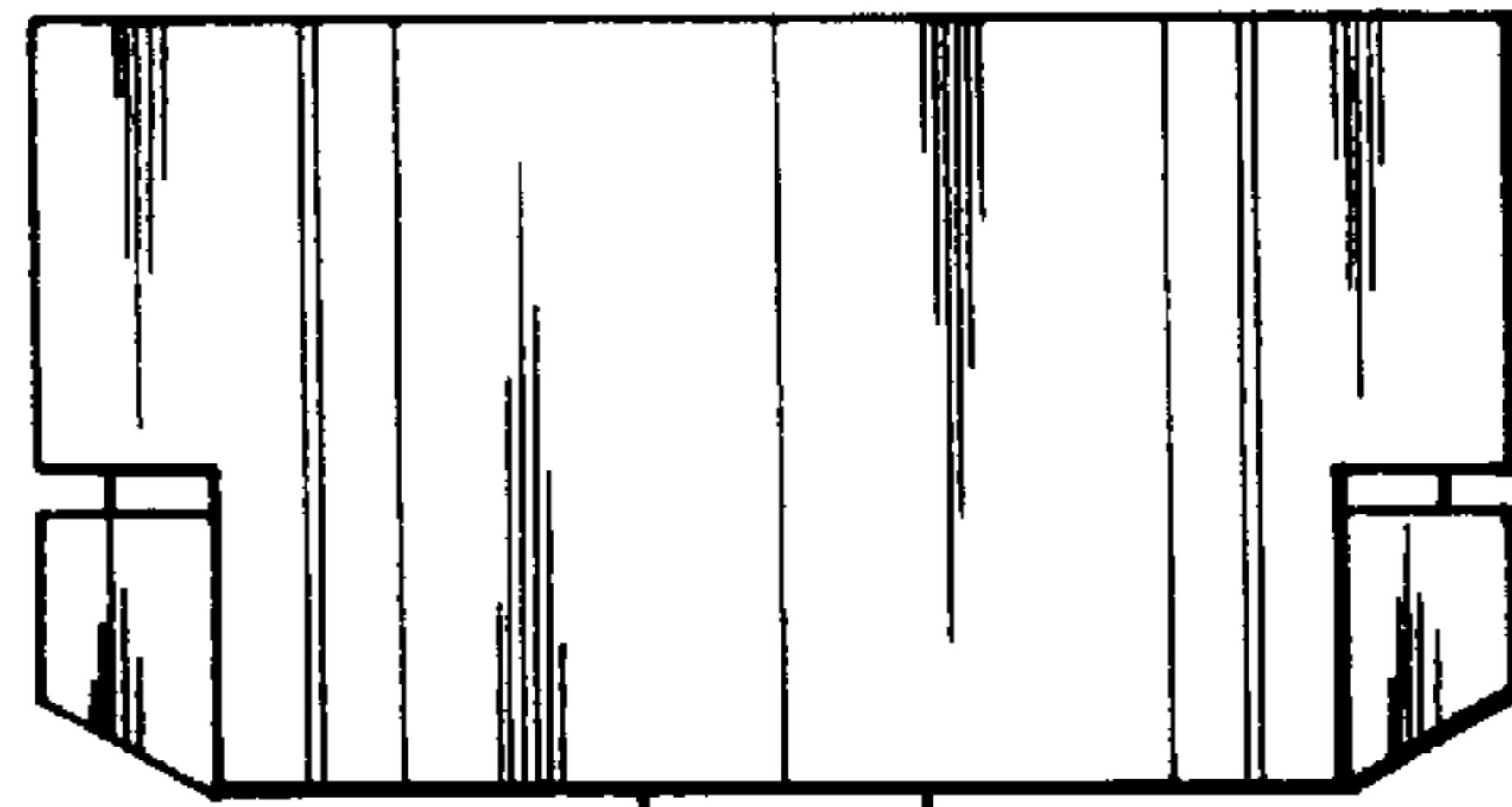


FIG. 6

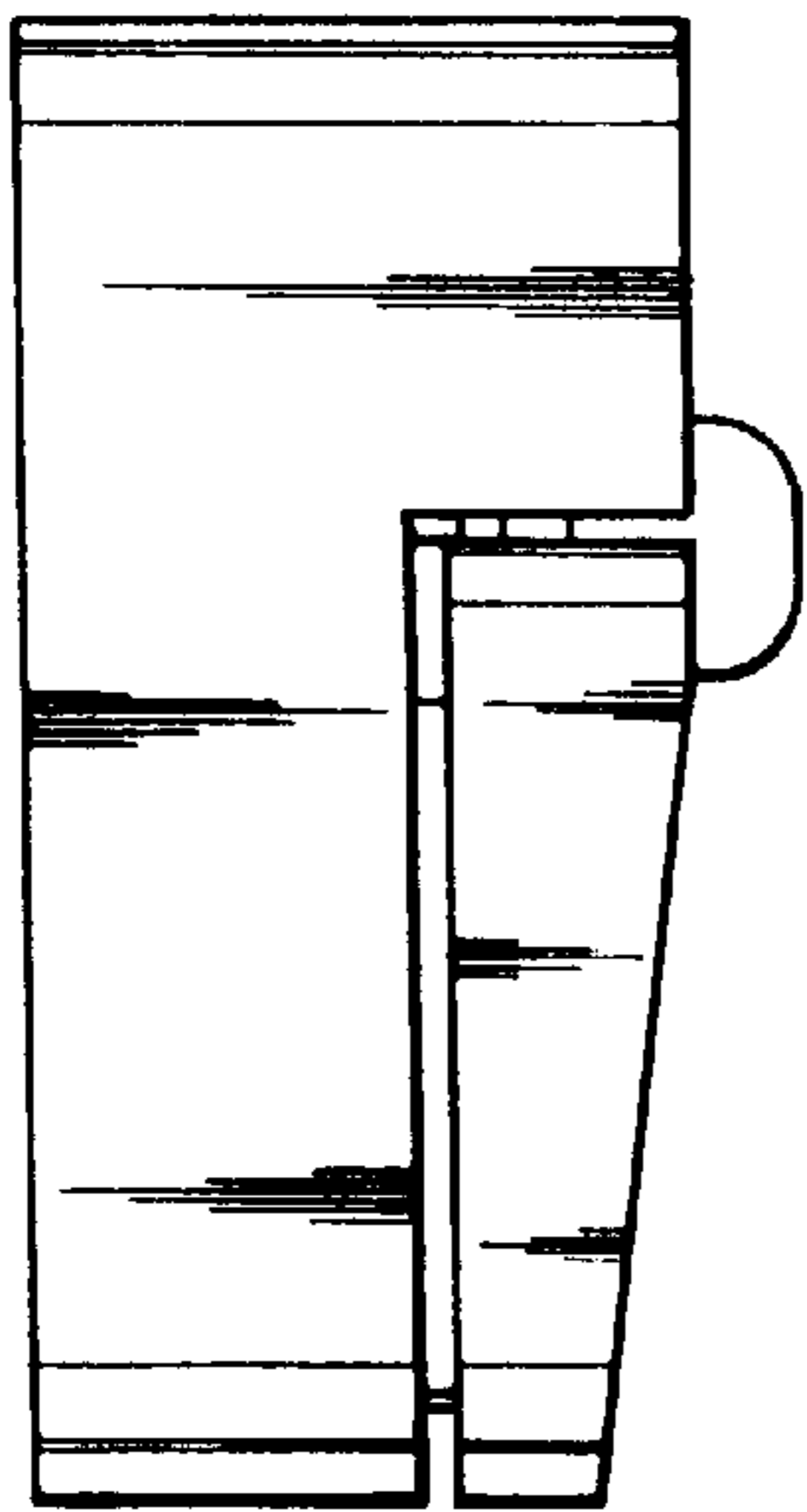


FIG. 4

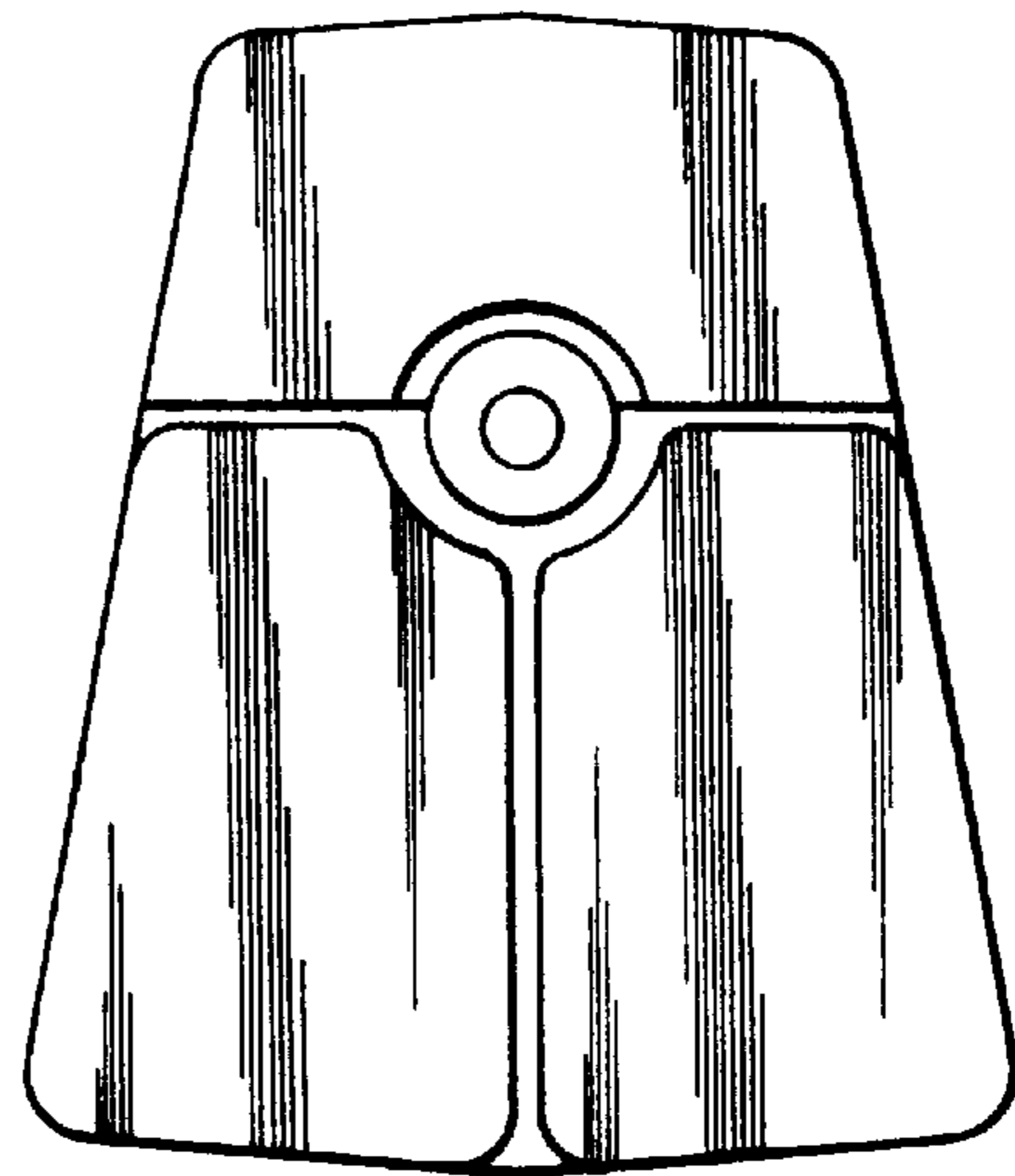


FIG. 2

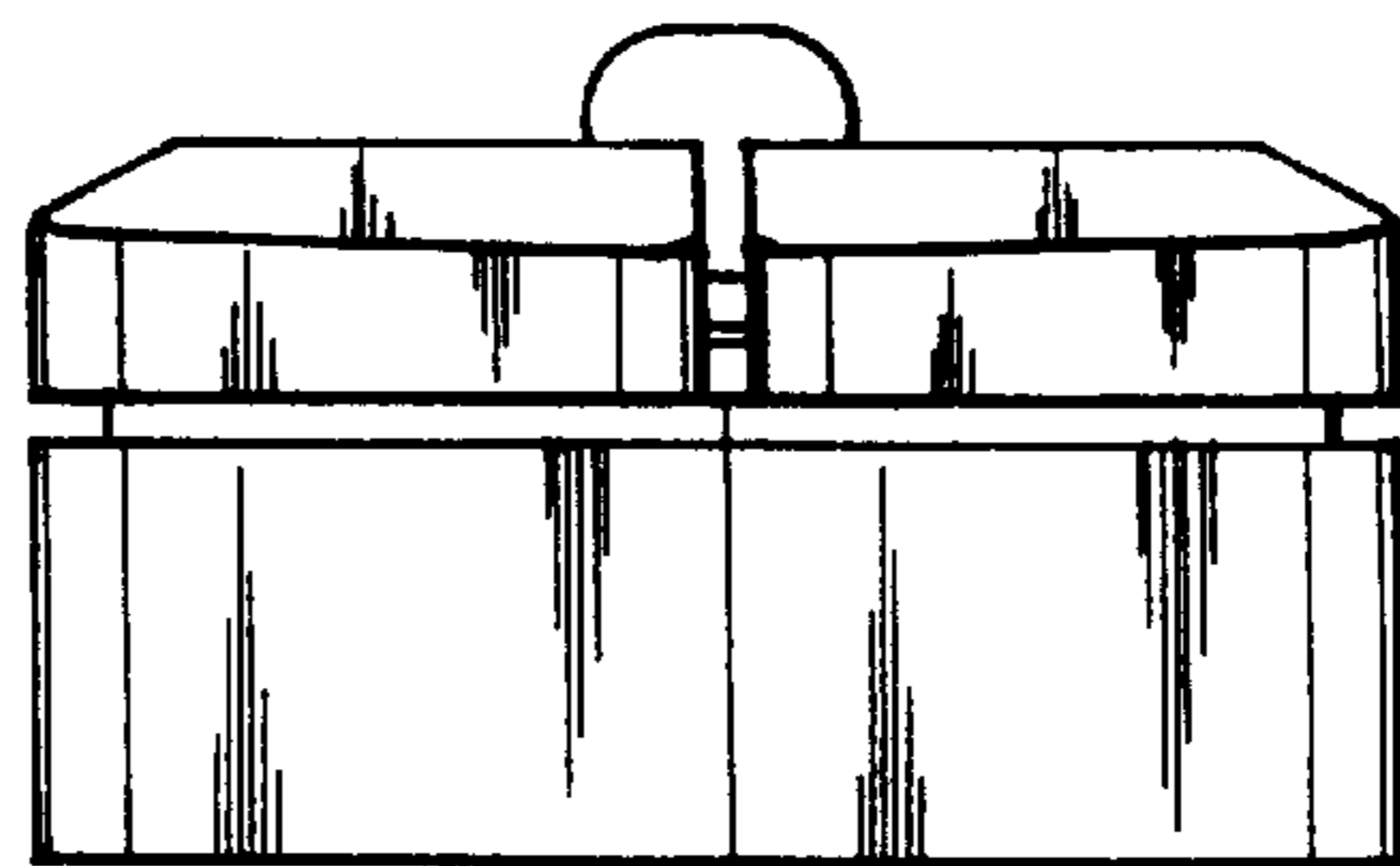


FIG. 7

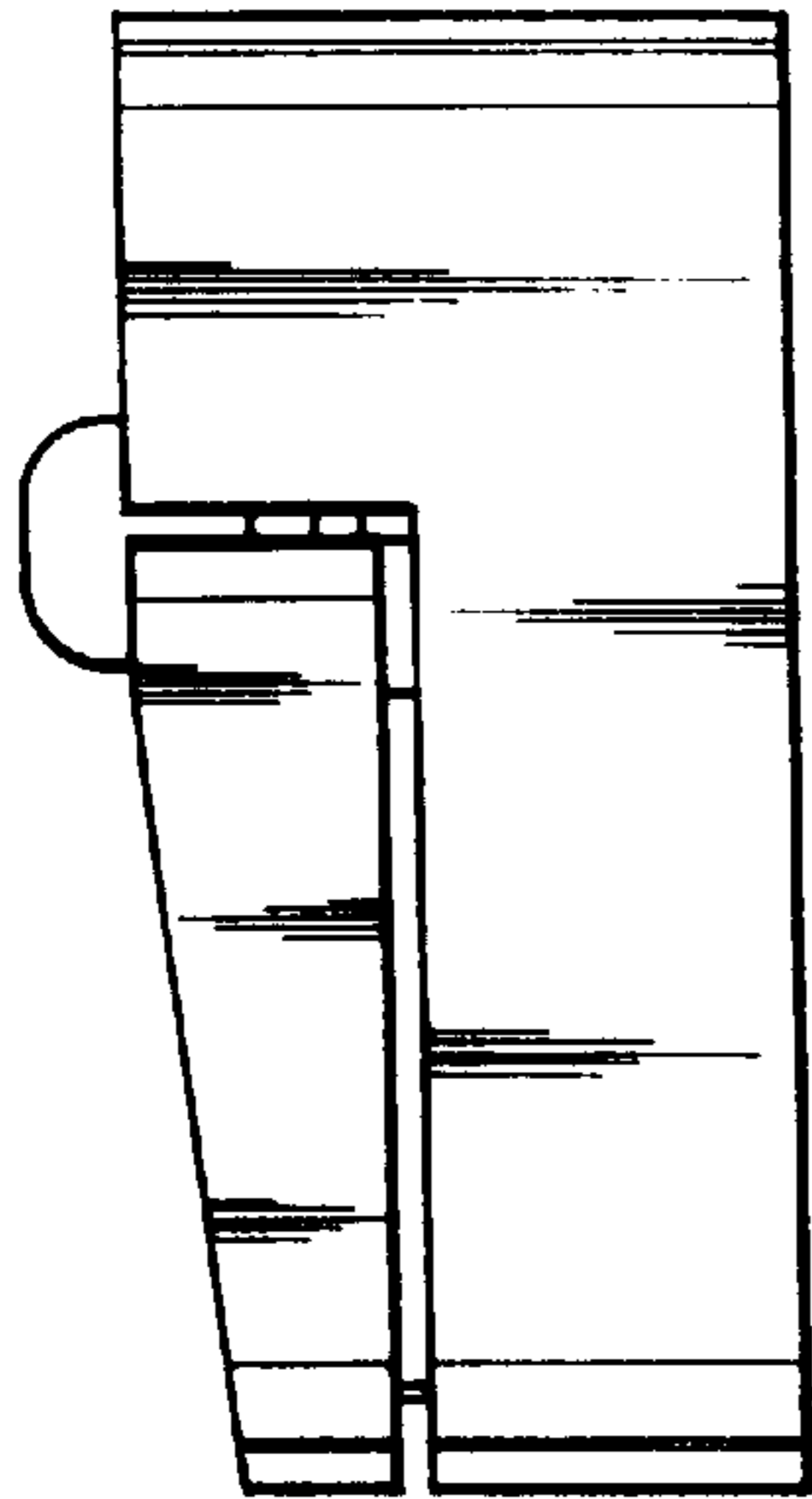


FIG. 5

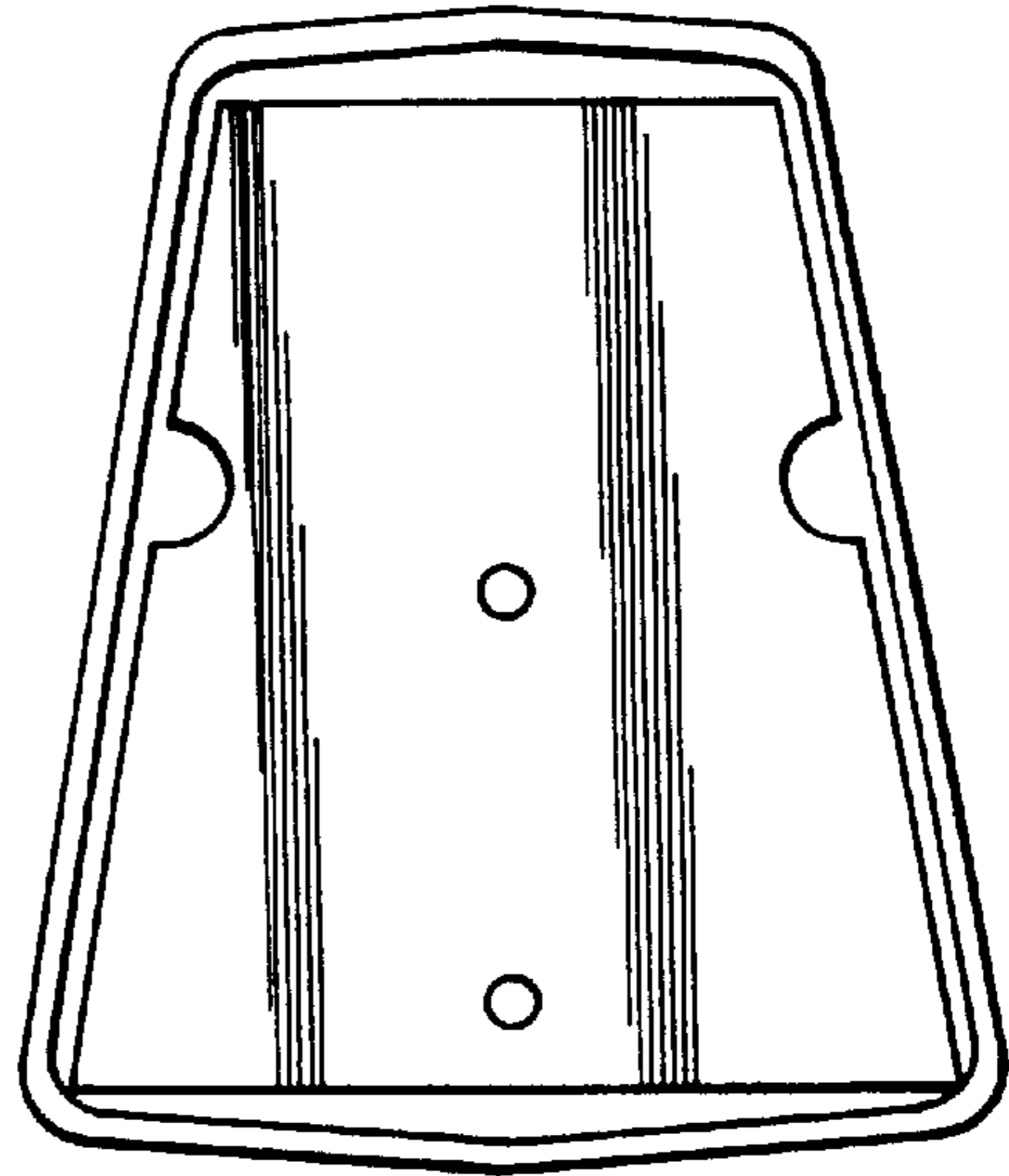


FIG. 3

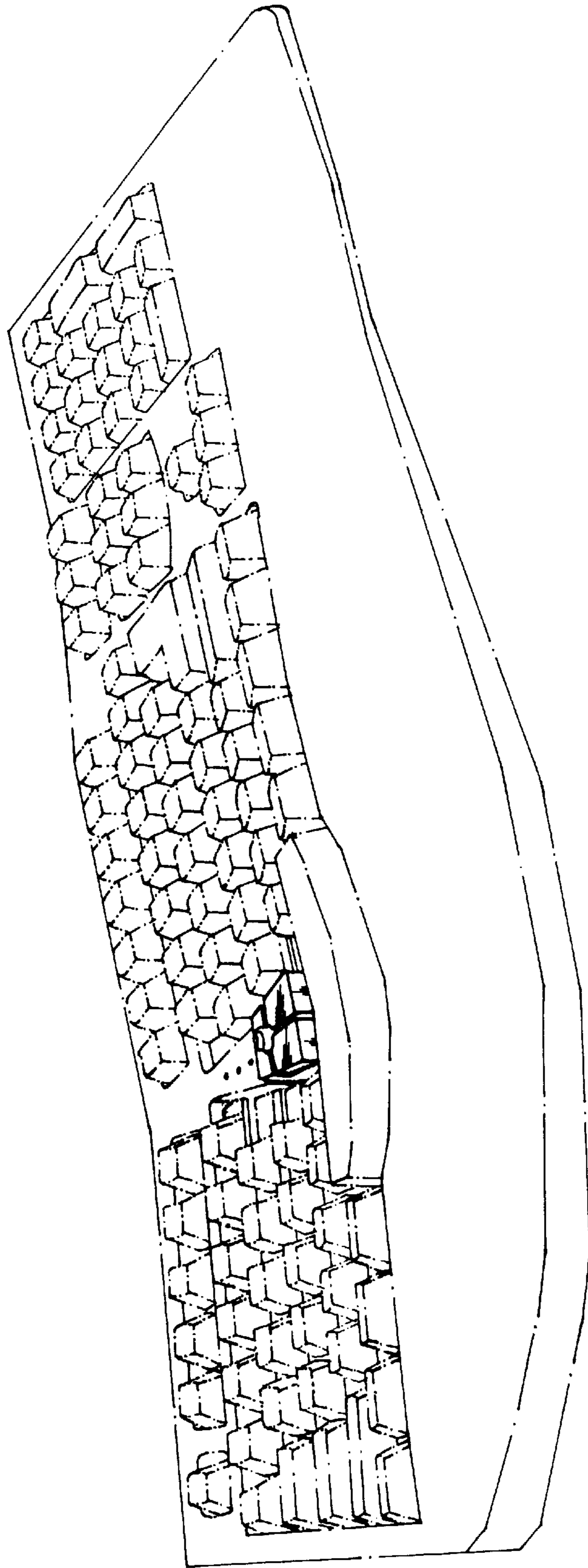


FIG. 8