



US00D406820S

United States Patent [19]
Johnson

[11] **Patent Number: Des. 406,820**

[45] **Date of Patent: **Mar. 16, 1999**

[54] **SWITCH OPERATOR WITH INTERLOCK MECHANISM**

4,553,000 11/1985 Appleton 200/50.1

[75] Inventor: **Eric C. Johnson**, Mountaintop, Pa.

Primary Examiner—Brian N. Vinson
Attorney, Agent, or Firm—Bond, Schoneck & King, LLP

[73] Assignee: **Pass & Seymour, Inc.**, Syracuse, N.Y.

[57] **CLAIM**

[**] Term: **14 Years**

The ornamental design for a switch operator with interlock mechanism, as shown and described.

[21] Appl. No.: **71,425**

DESCRIPTION

[22] Filed: **May 29, 1997**

[51] **LOC (6) Cl.** **13-03**

[52] **U.S. Cl.** **D13/169**

[58] **Field of Search** D13/158, 169;
200/50.01

FIG. 1 is a front elevation view, showing my new design;
FIG. 2 is a back elevation view;
FIG. 3 is a left side view;
FIG. 4 is a right side view;
FIG. 5 is a top plan view; and,
FIG. 6 is a bottom plan view.

[56] **References Cited**

U.S. PATENT DOCUMENTS

D. 354,738 1/1995 Zimmermann et al. D13/169

1 Claim, 6 Drawing Sheets

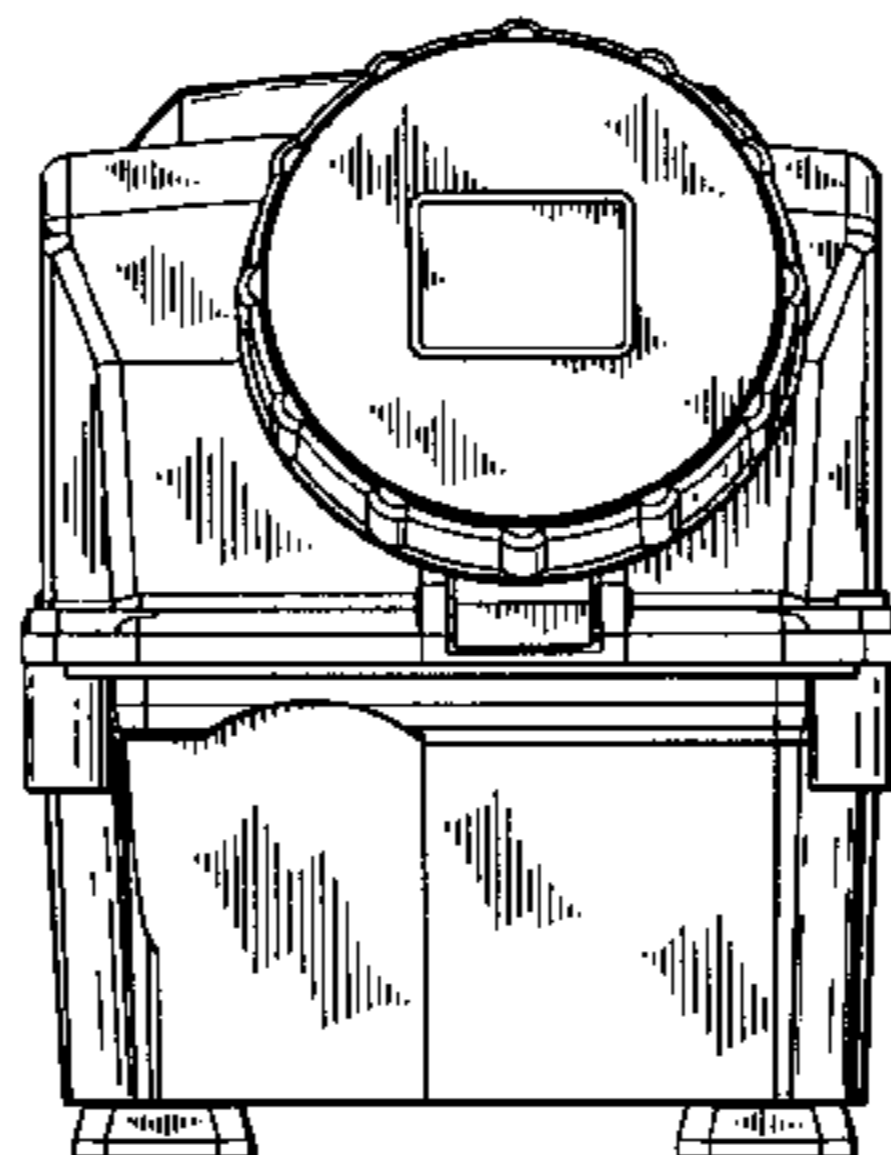
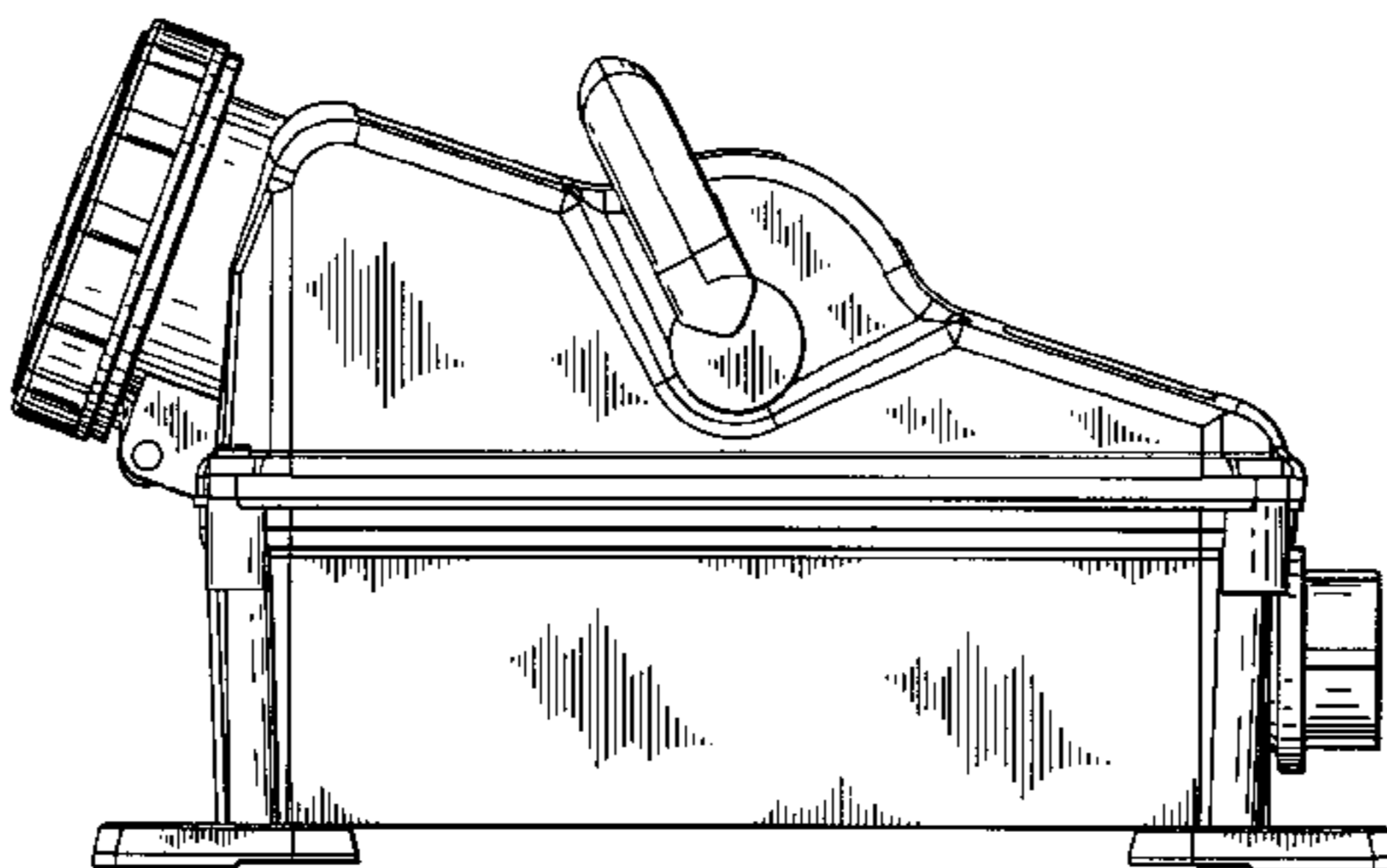
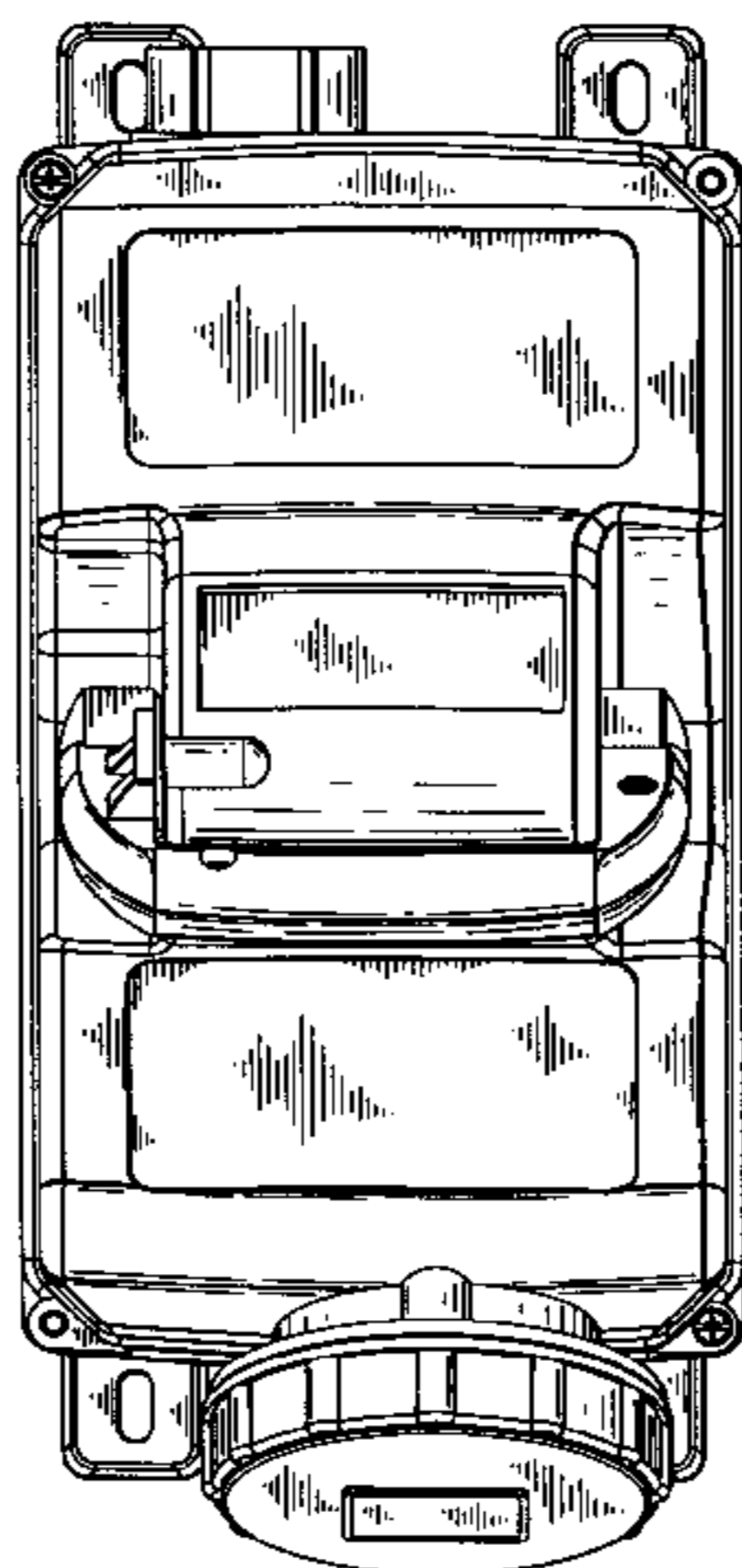


FIG. 1

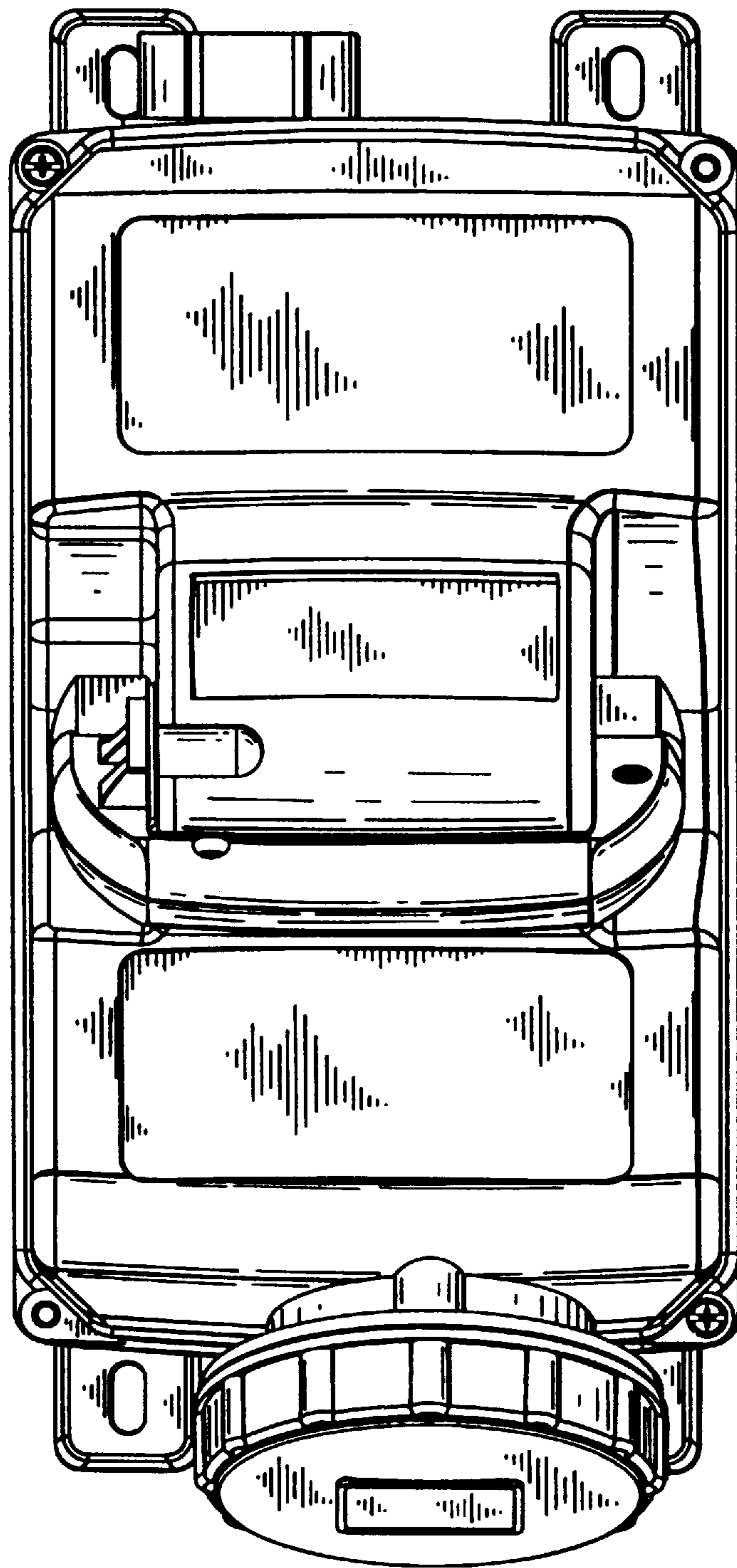


FIG. 2

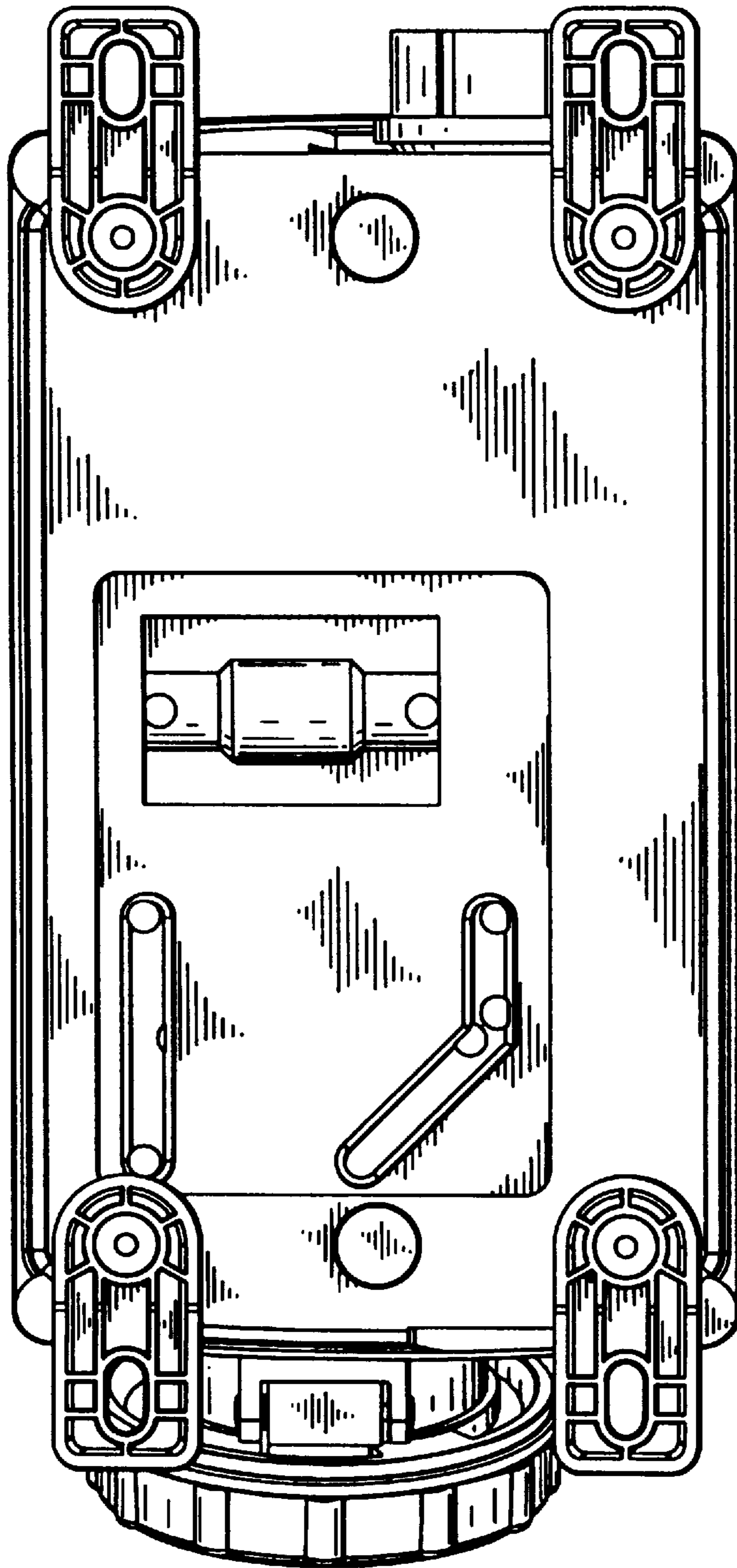
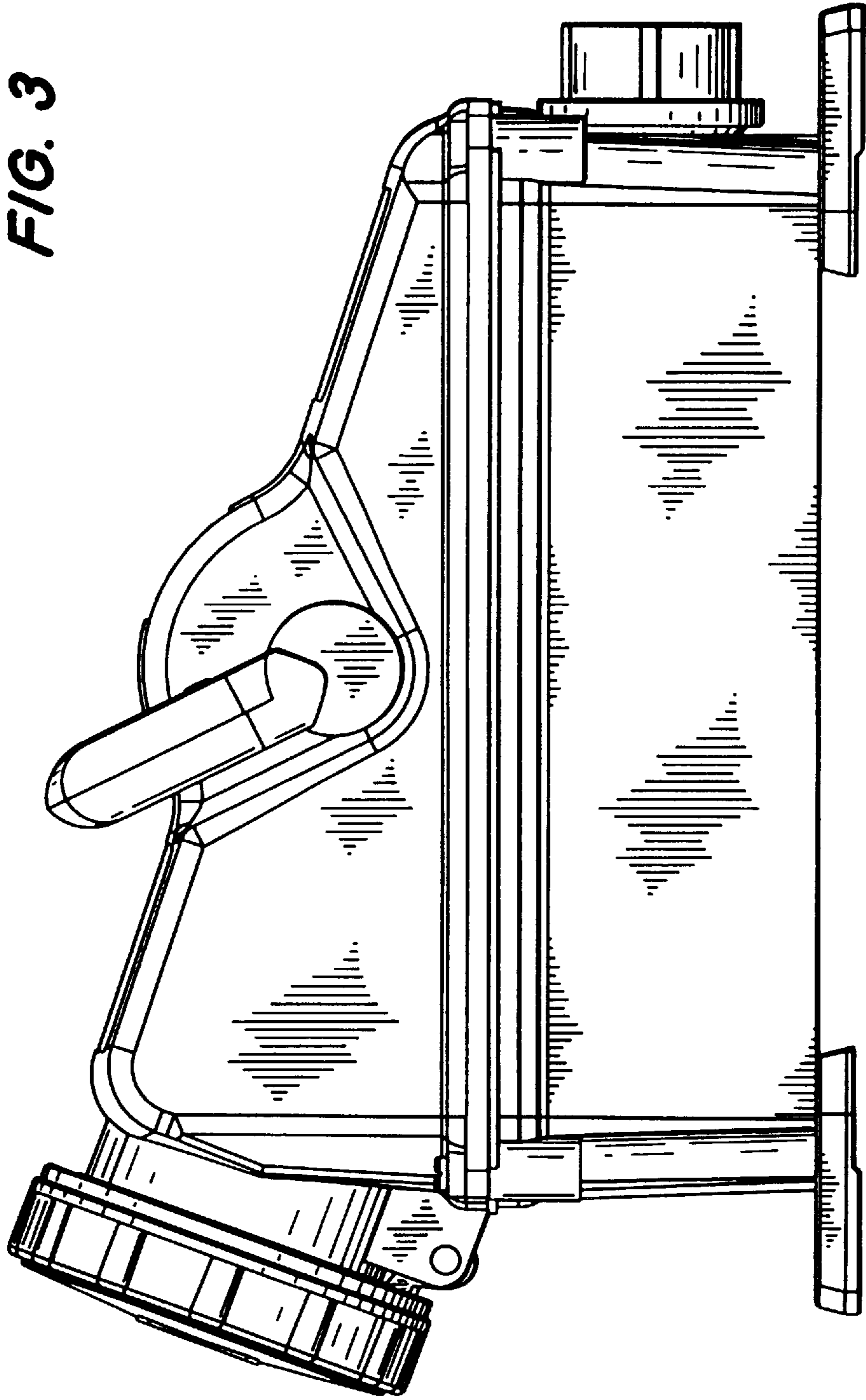


FIG. 3



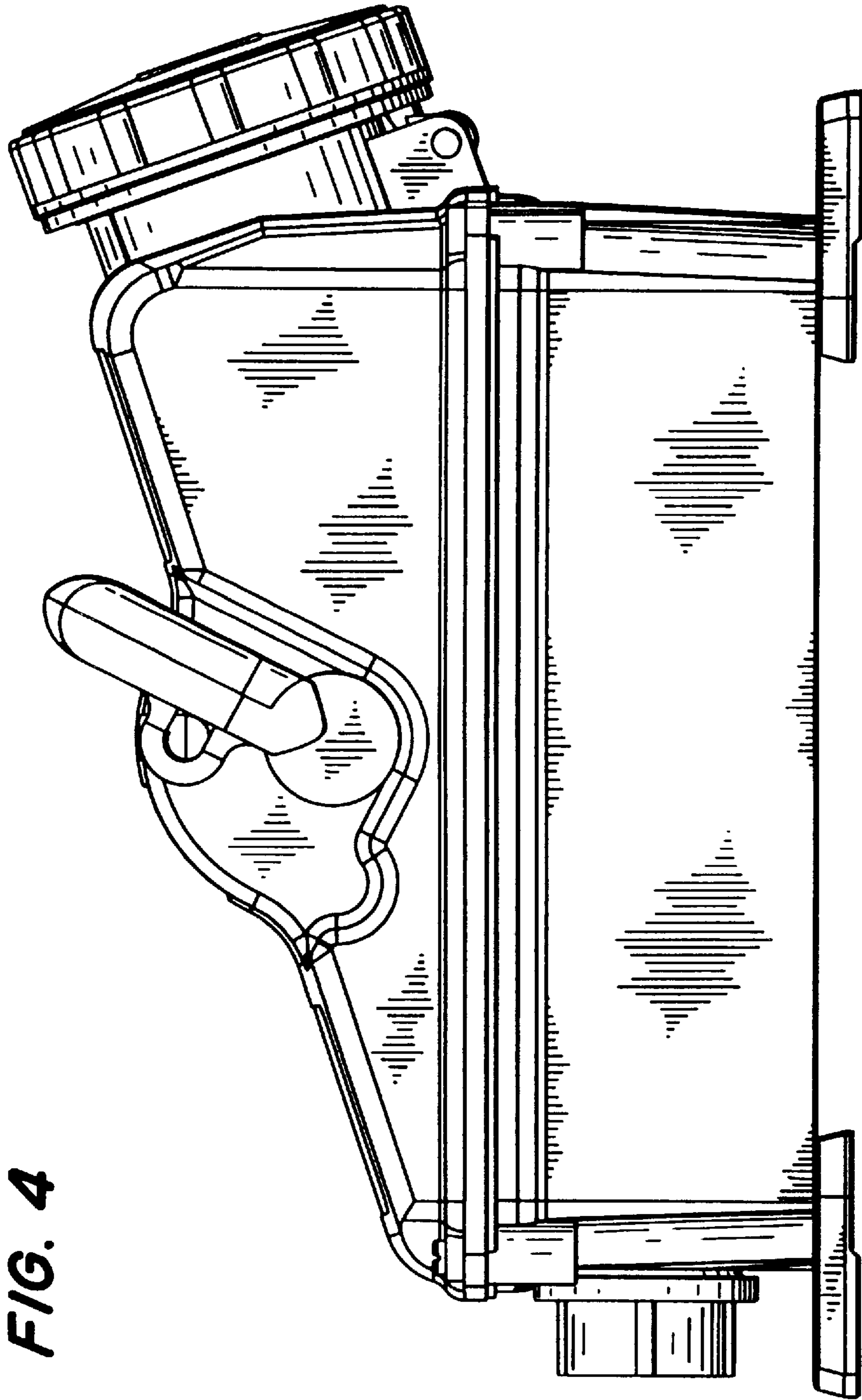


FIG. 4

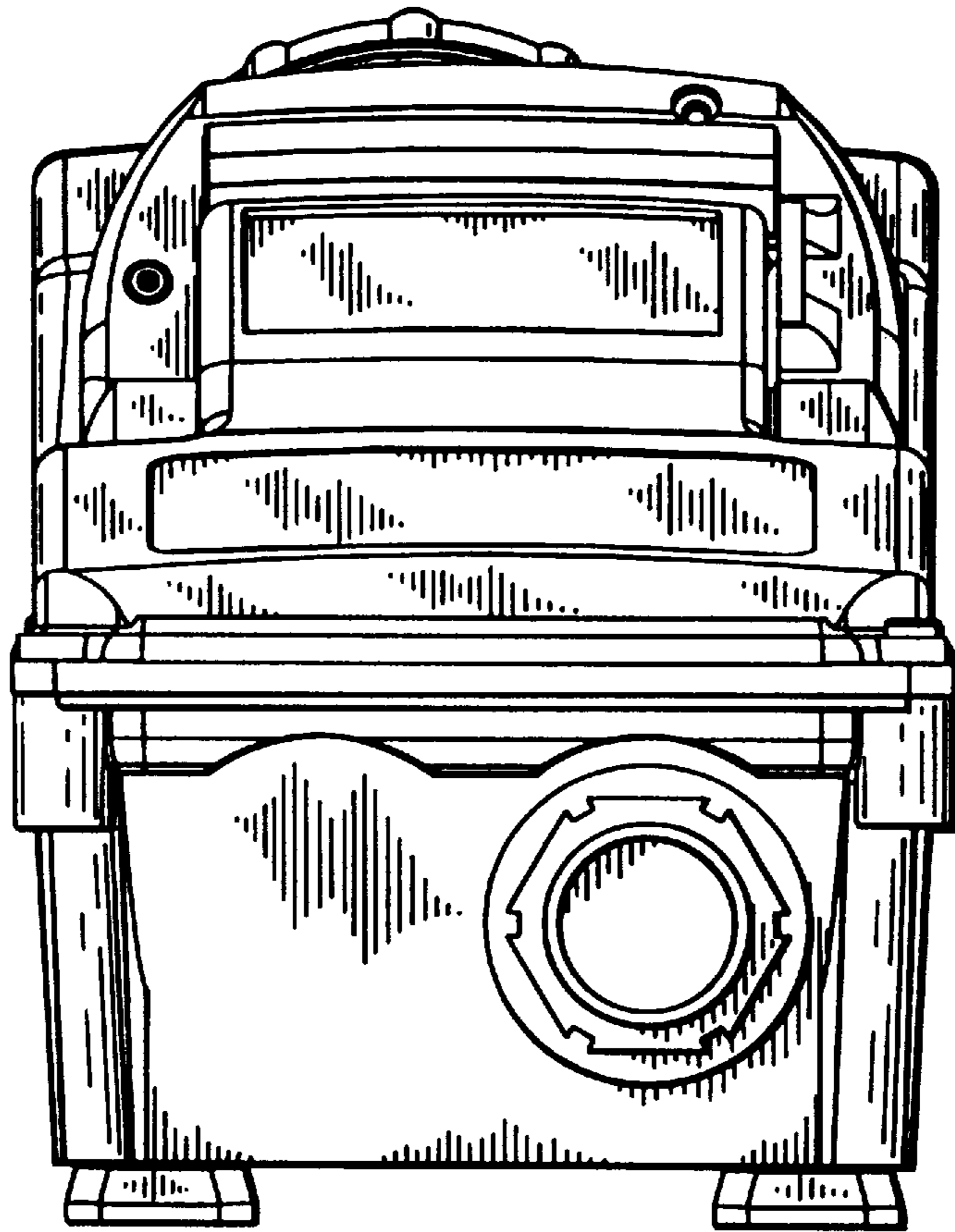


FIG. 5

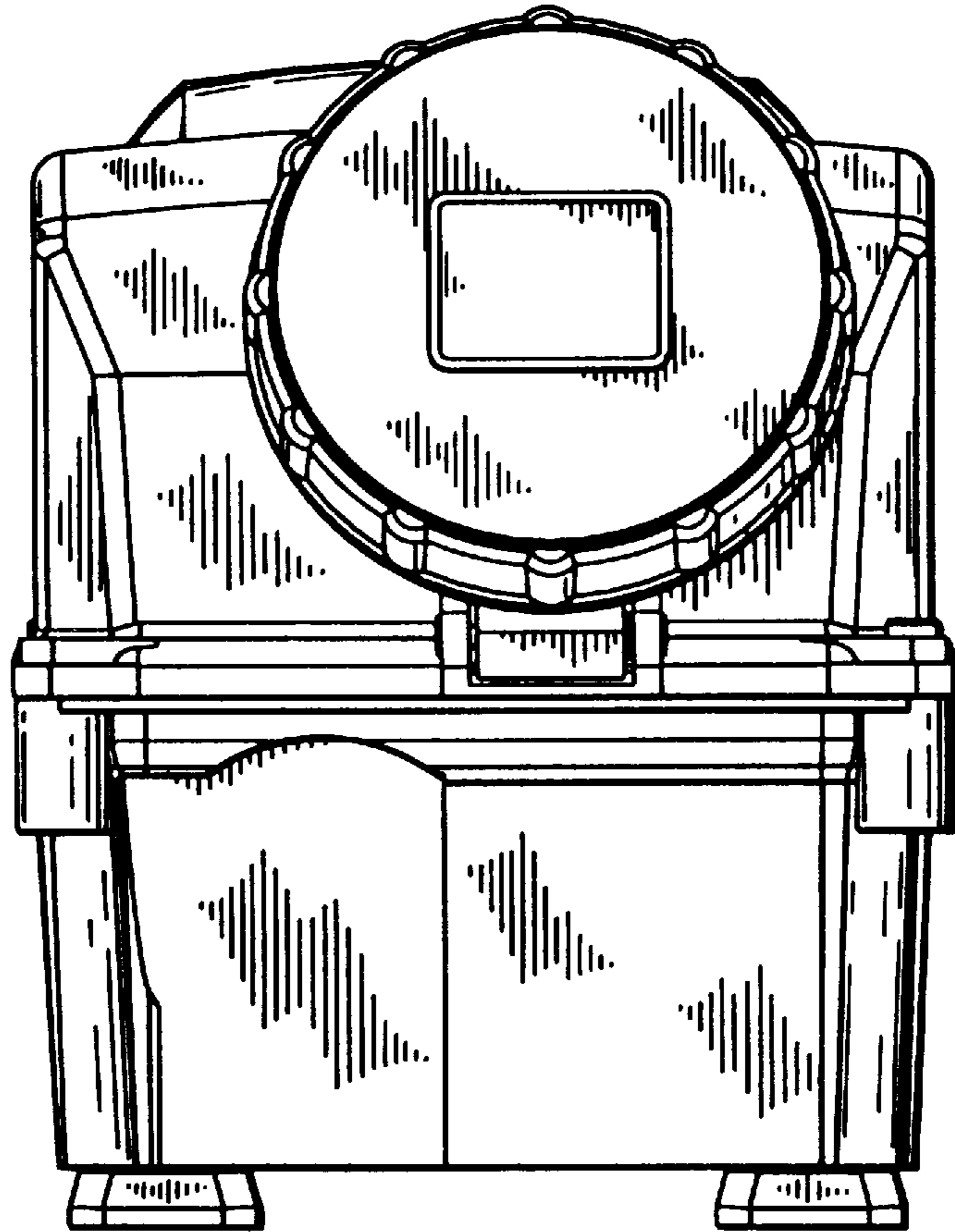


FIG. 6