



US00D406818S

United States Patent [19]
Wu

[11] **Patent Number: Des. 406,818**

[45] **Date of Patent: **Mar. 16, 1999**

[54] **ELECTRICAL CONNECTOR**

[75] Inventor: **Kun-Tsan Wu, Tu-Chen, Taiwan**

[73] Assignee: **Hon Hai Precision Ind. Co., Ltd.,
Taipei Hsien, Taiwan**

[**] Term: **14 Years**

[21] Appl. No.: **81,966**

[22] Filed: **Jan. 12, 1998**

[30] **Foreign Application Priority Data**

Aug. 26, 1997 [TW] Taiwan 86307471

[51] **LOC (6) Cl. 13-03**

[52] **U.S. Cl. D13/147**

[58] **Field of Search D13/146, 147;
439/540.1, 607, 609**

[56] **References Cited**

U.S. PATENT DOCUMENTS

D. 344,492 2/1994 Nakamura D13/147

D. 345,343 3/1994 Nakamura D13/147
D. 377,007 12/1996 Tan et al. D13/147
5,501,613 3/1996 Lenoir 439/540.1
5,637,015 6/1997 Tan et al. 439/607
5,676,569 10/1997 Davis 439/540.1
5,738,544 4/1998 Davis 439/607

Primary Examiner—Joel Sincavage

[57] **CLAIM**

The ornamental design for an electrical connector, as shown.

DESCRIPTION

FIG. 1 is a perspective view of an electrical connector showing my new design;

FIG. 2 is a front elevational view thereof;

FIG. 3 is a rear elevational view thereof;

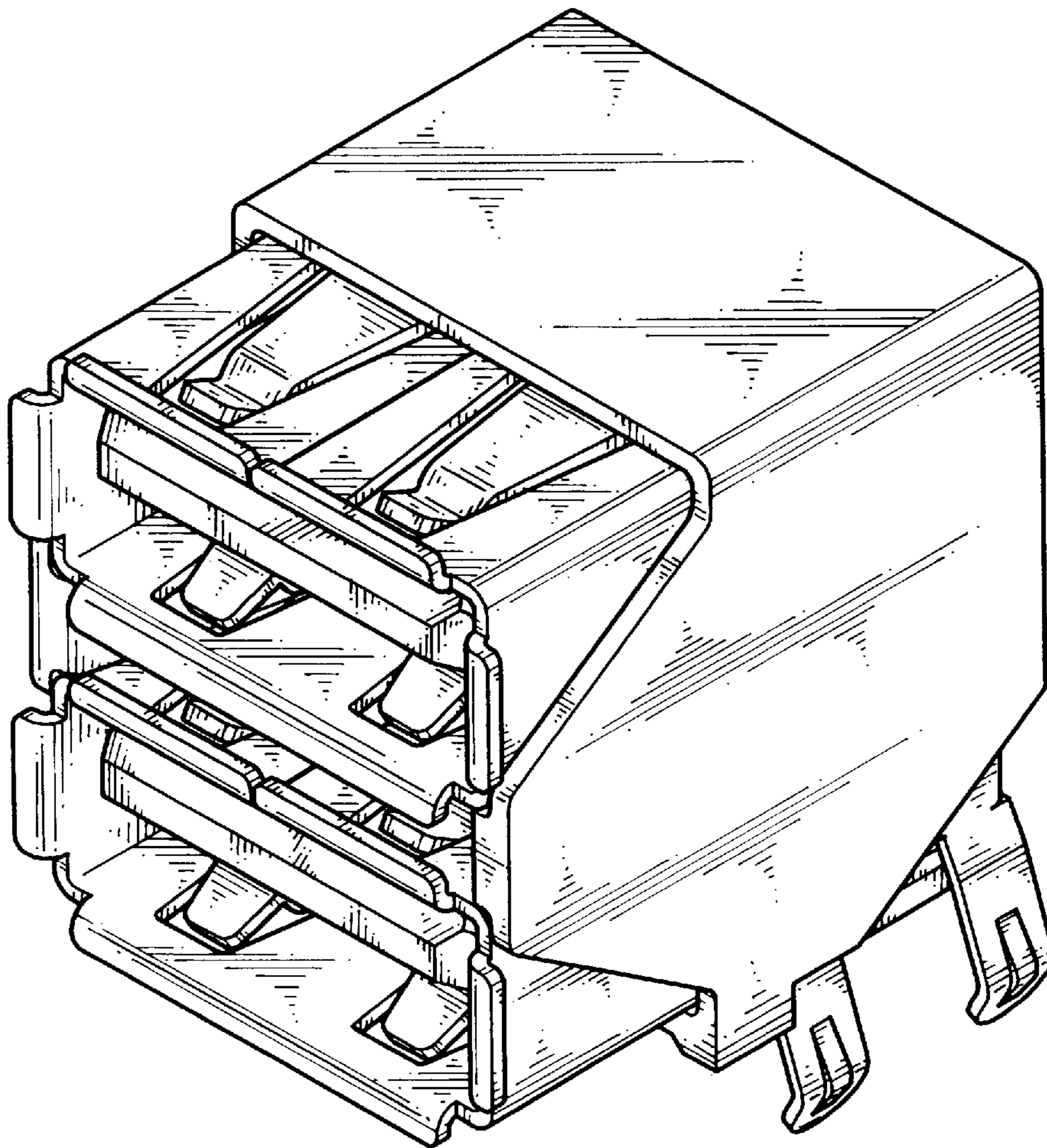
FIG. 4 is a left side elevational view thereof;

FIG. 5 is a right side elevational view thereof;

FIG. 6 is a top plan view thereof; and,

FIG. 7 is a bottom plan view thereof.

1 Claim, 7 Drawing Sheets



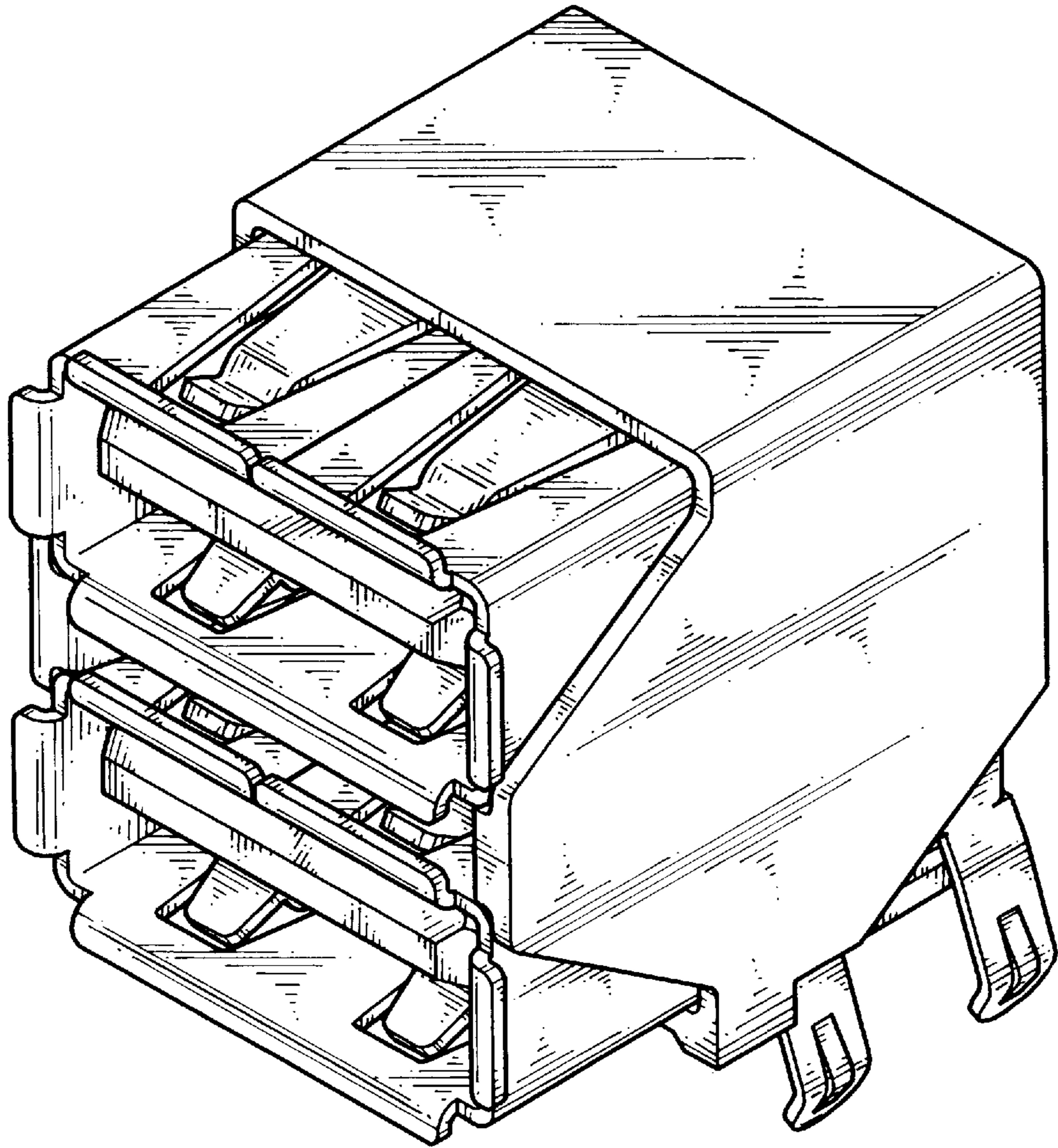
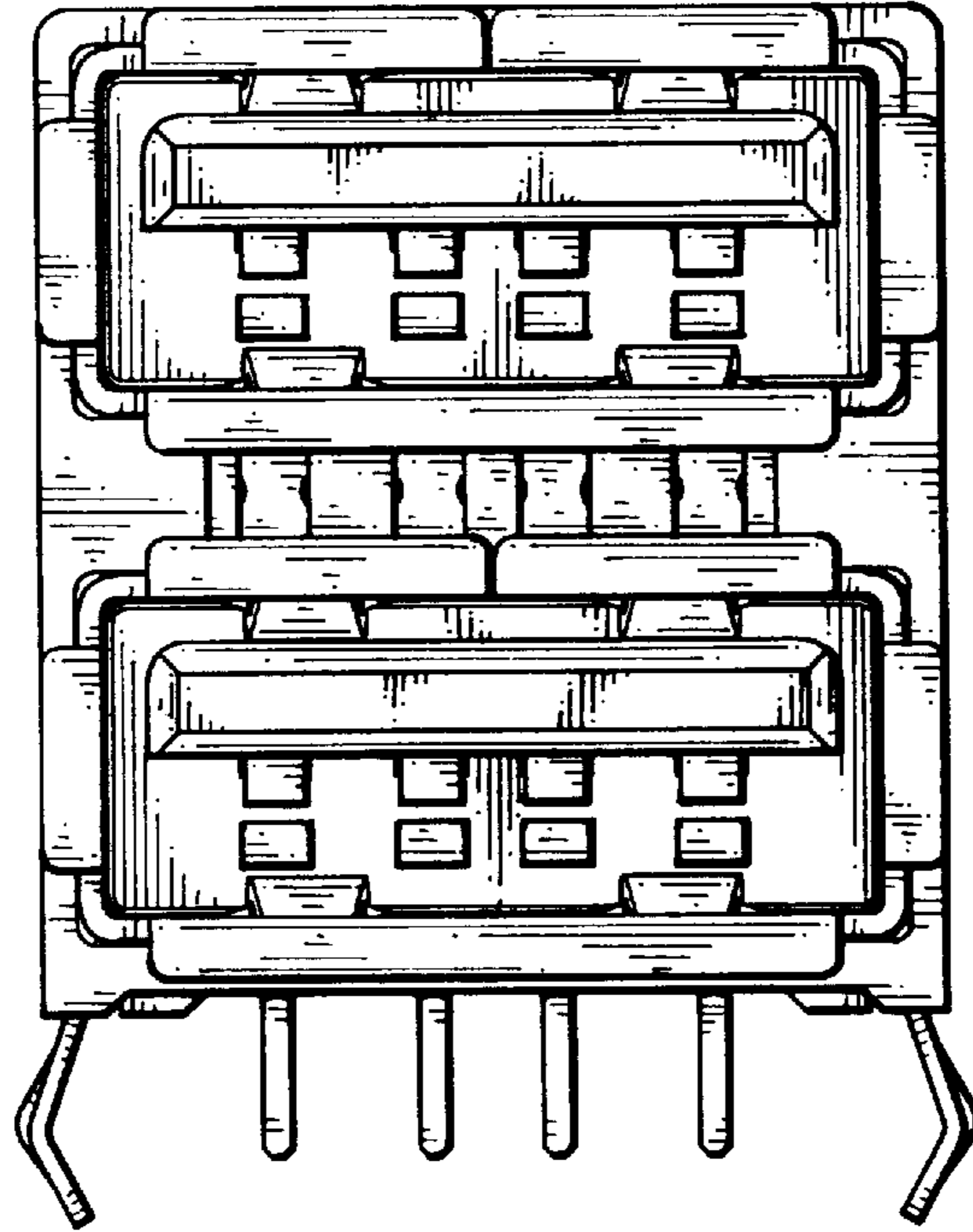


FIG.1



FIG,2

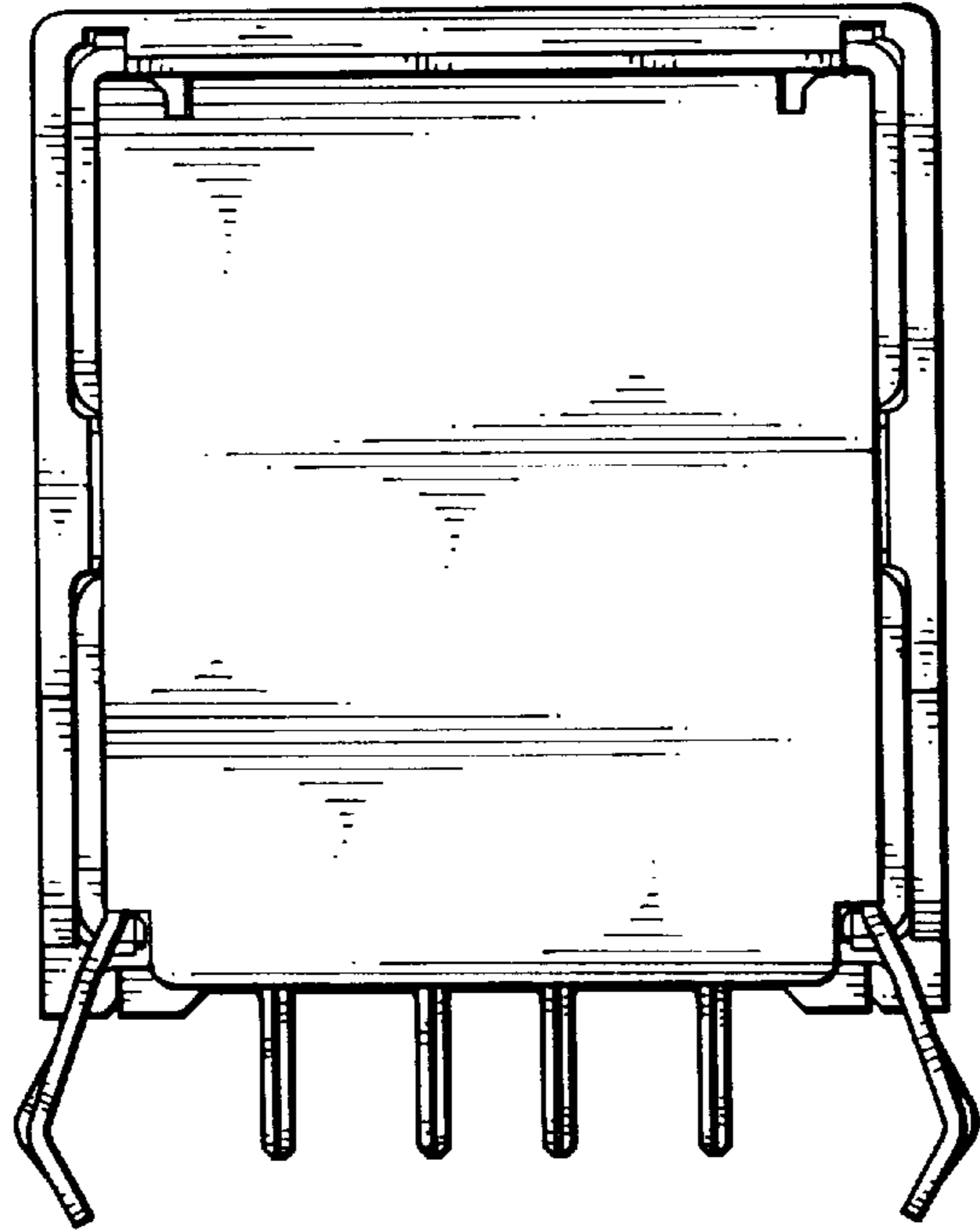


FIG.3

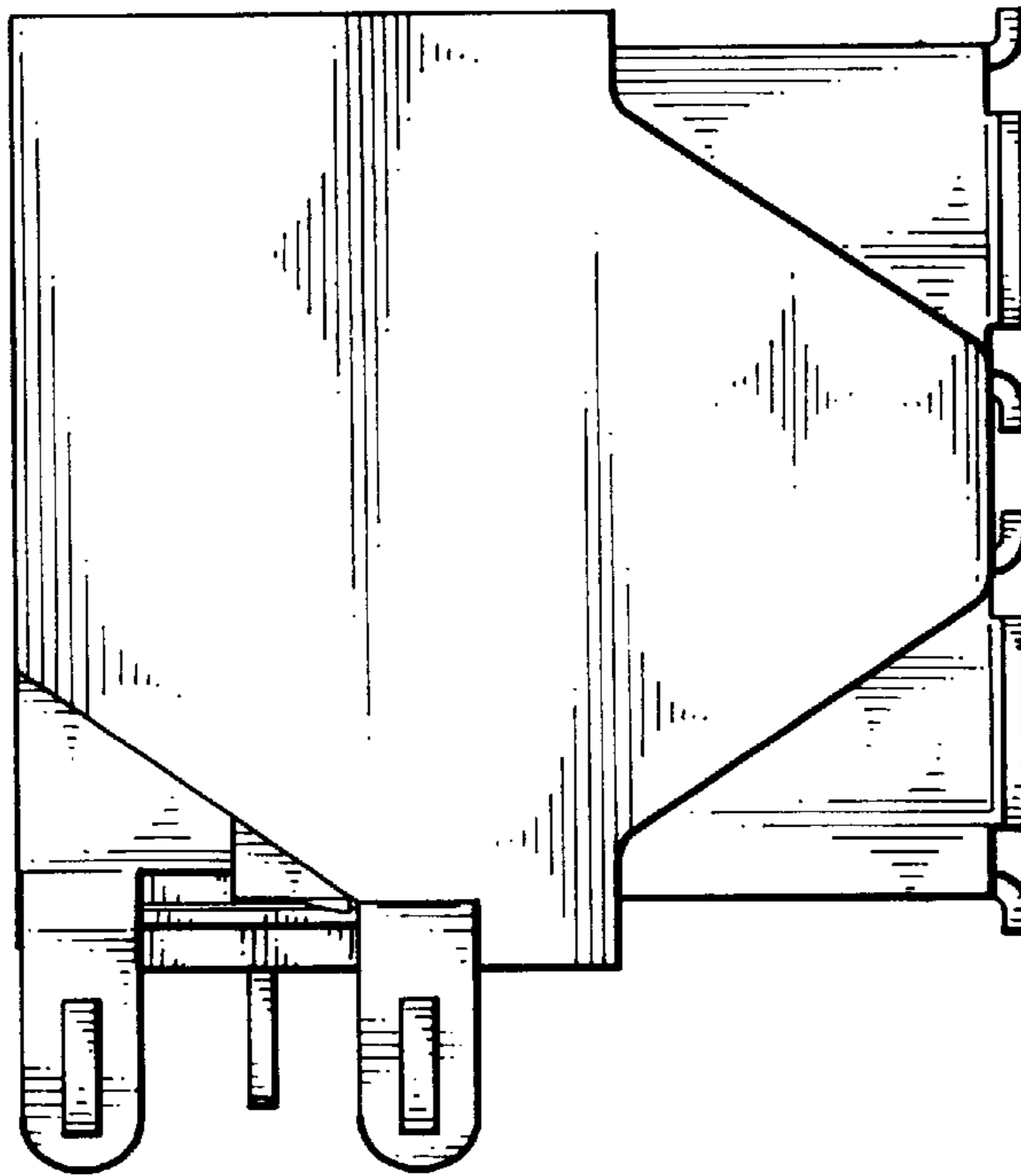


FIG. 4

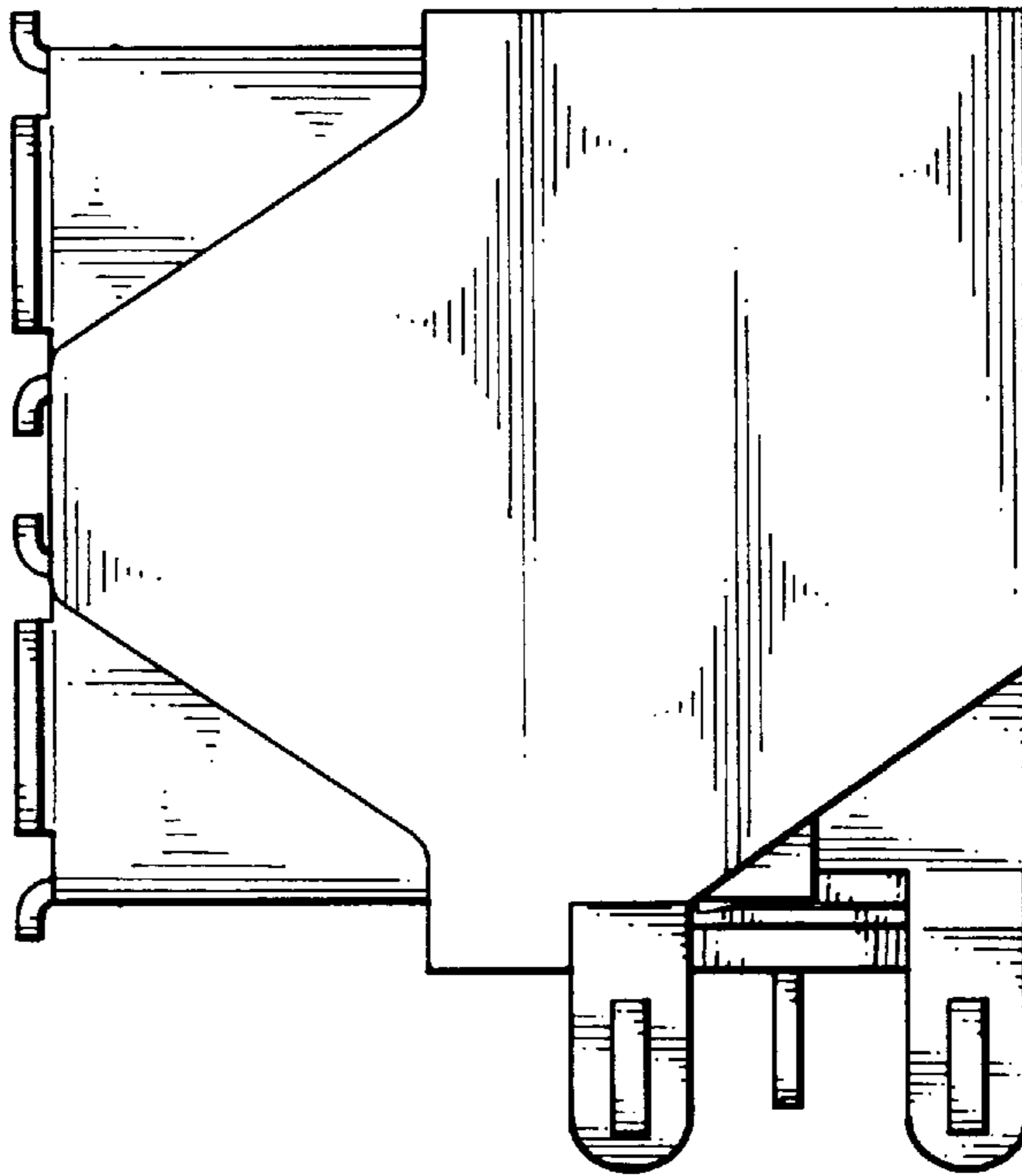


FIG. 5

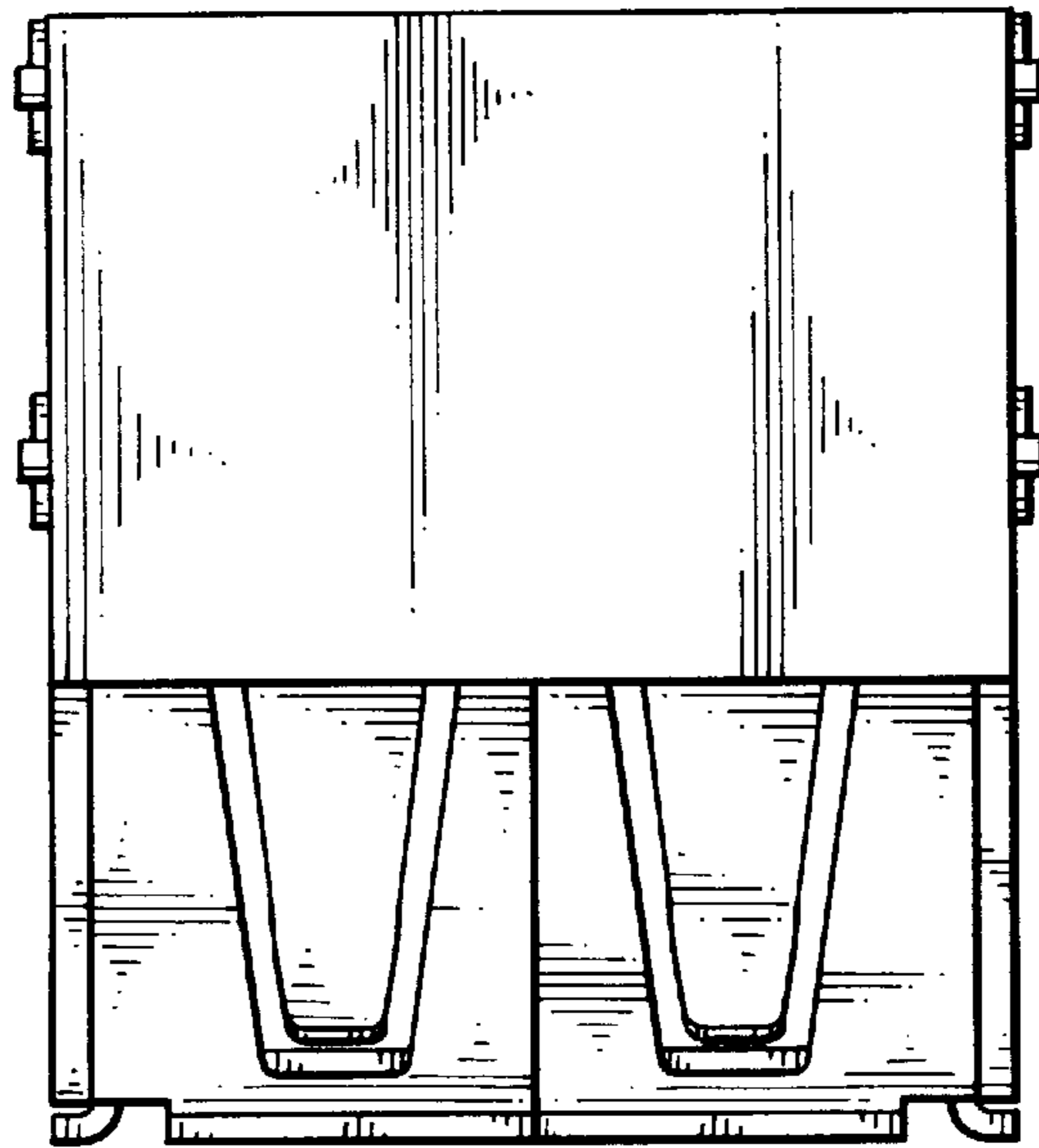


FIG.6

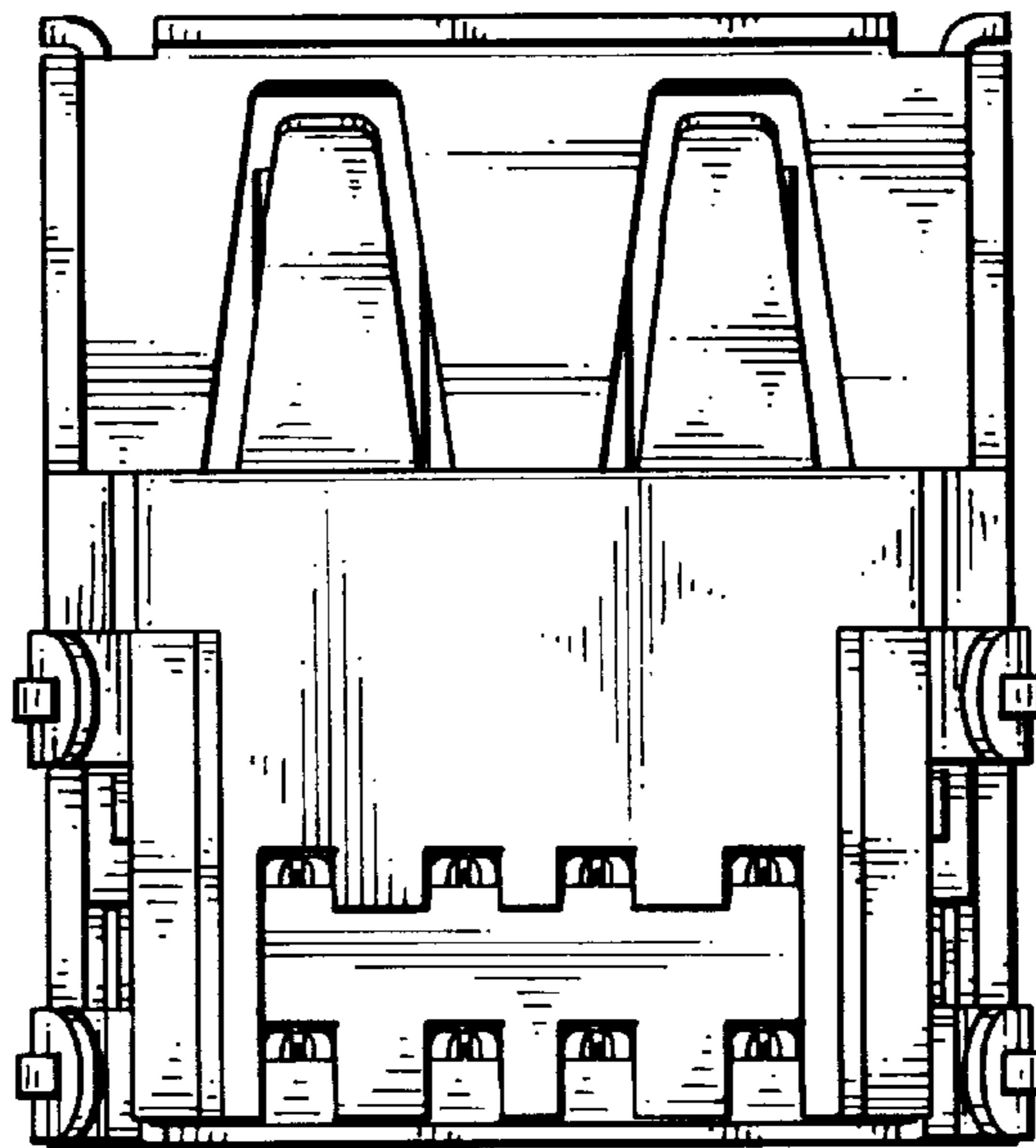


FIG. 7