



US00D406817S

# United States Patent [19] Wu

[11] **Patent Number: Des. 406,817**

[45] **Date of Patent: \*\*Mar. 16, 1999**

[54] **ELECTRICAL CONNECTOR**

[75] Inventor: **Kun-Tsan Wu, Tu-Chen, Taiwan**

[73] Assignee: **Hon Hai Precision Ind. Co., Ltd.,  
Taipei Hsien, Taiwan**

[\*\*] Term: **14 Years**

[21] Appl. No.: **81,939**

[22] Filed: **Jan. 12, 1998**

[30] **Foreign Application Priority Data**

Aug. 21, 1997 [TW] Taiwan ..... 86307359

[51] **LOC (6) Cl. .... 13-03**

[52] **U.S. Cl. .... D13/147**

[58] **Field of Search .... D13/146, 147;  
439/540.1, 607, 609**

[56] **References Cited**

**U.S. PATENT DOCUMENTS**

D. 344,492 2/1994 Nakamura ..... D13/147

D. 345,343	3/1994	Nakamura	.....	D13/147
D. 377,007	12/1996	Tan et al.	.....	D13/147
5,501,613	3/1996	Lenoir	.....	439/540.1
5,637,015	6/1997	Tan et al.	.....	439/607
5,676,569	10/1997	Davis	.....	439/540.1
5,738,544	4/1998	Davis	.....	439/607

*Primary Examiner*—Joel Sincavage

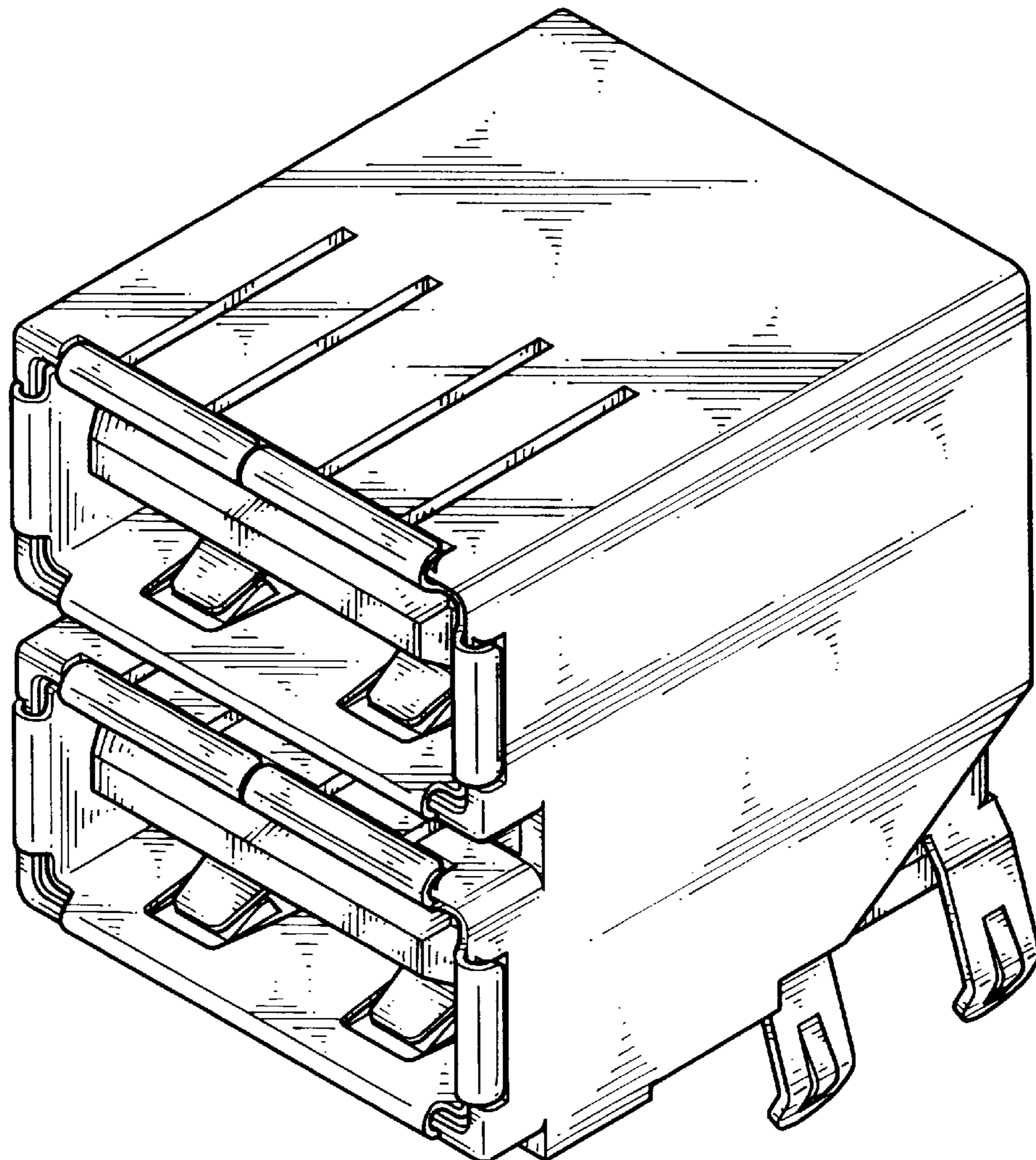
[57] **CLAIM**

The ornamental design for an electrical connector, as shown.

**DESCRIPTION**

FIG. 1 is a perspective view of an electrical connector showing my new design;  
FIG. 2 is a front elevational view thereof;  
FIG. 3 is a rear elevational view thereof;  
FIG. 4 is a left side elevational view thereof;  
FIG. 5 is a right side elevational view thereof;  
FIG. 6 is a top plan view thereof; and,  
FIG. 7 is a bottom plan view thereof.

**1 Claim, 7 Drawing Sheets**



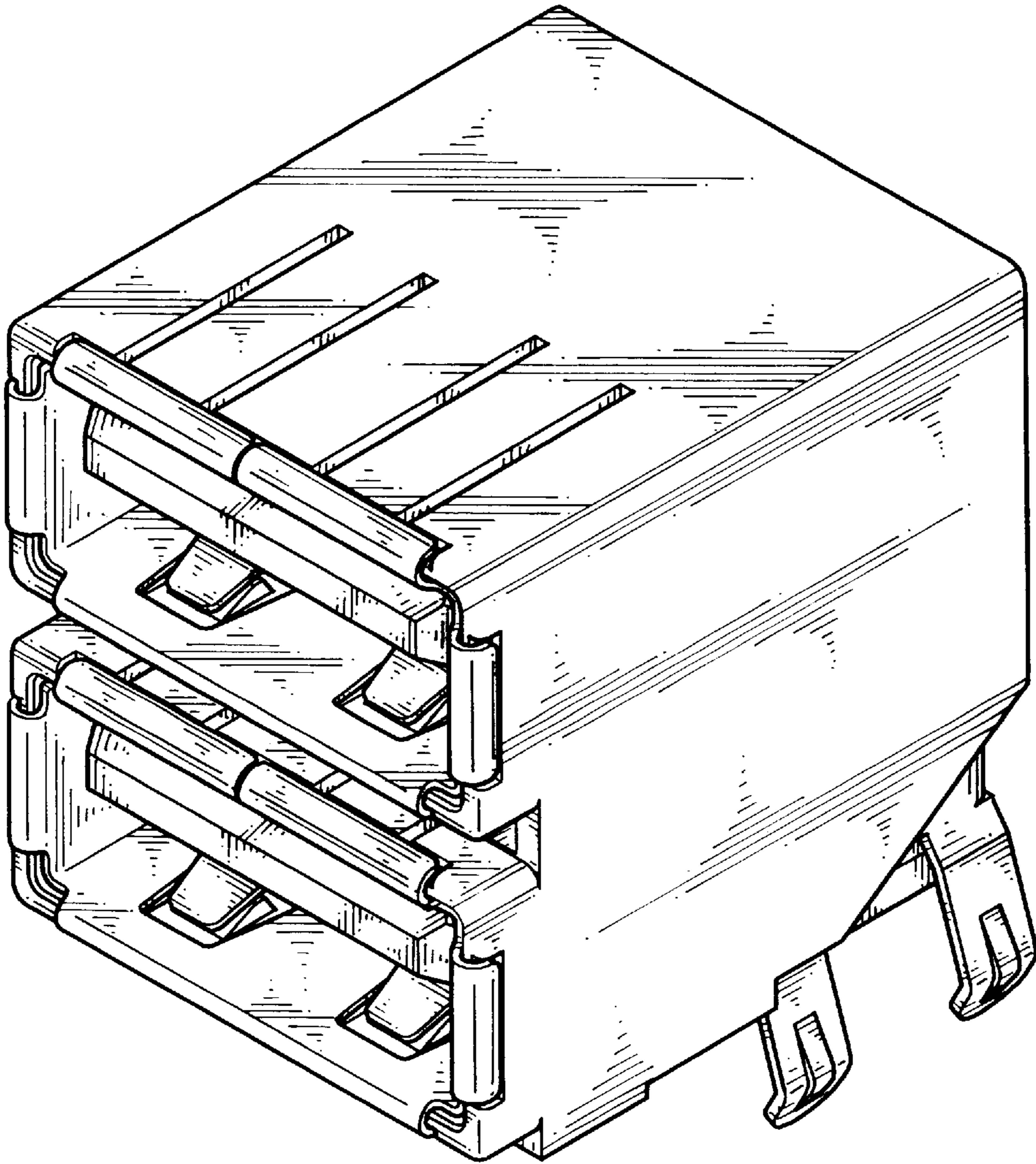


FIG. 1

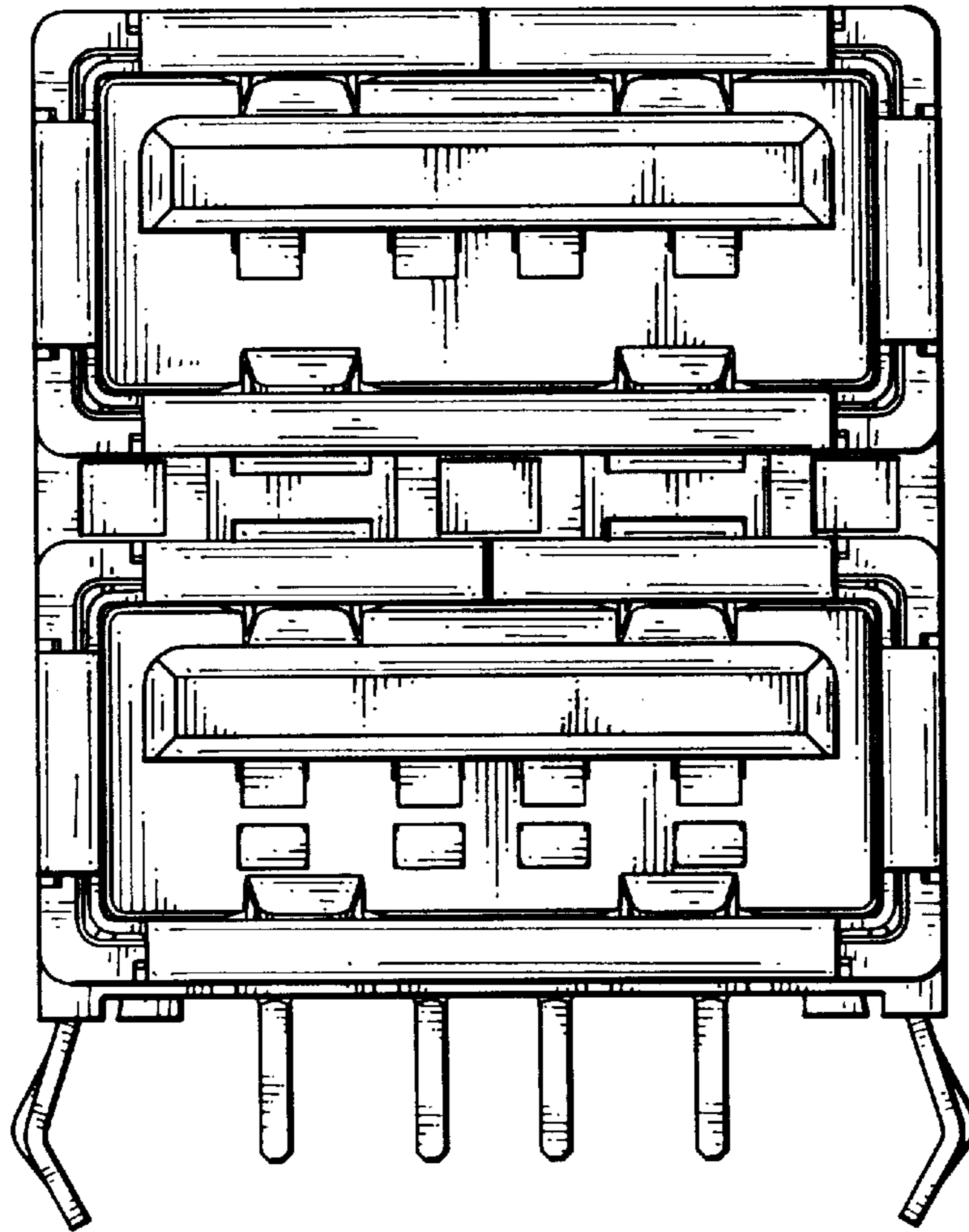


FIG. 2

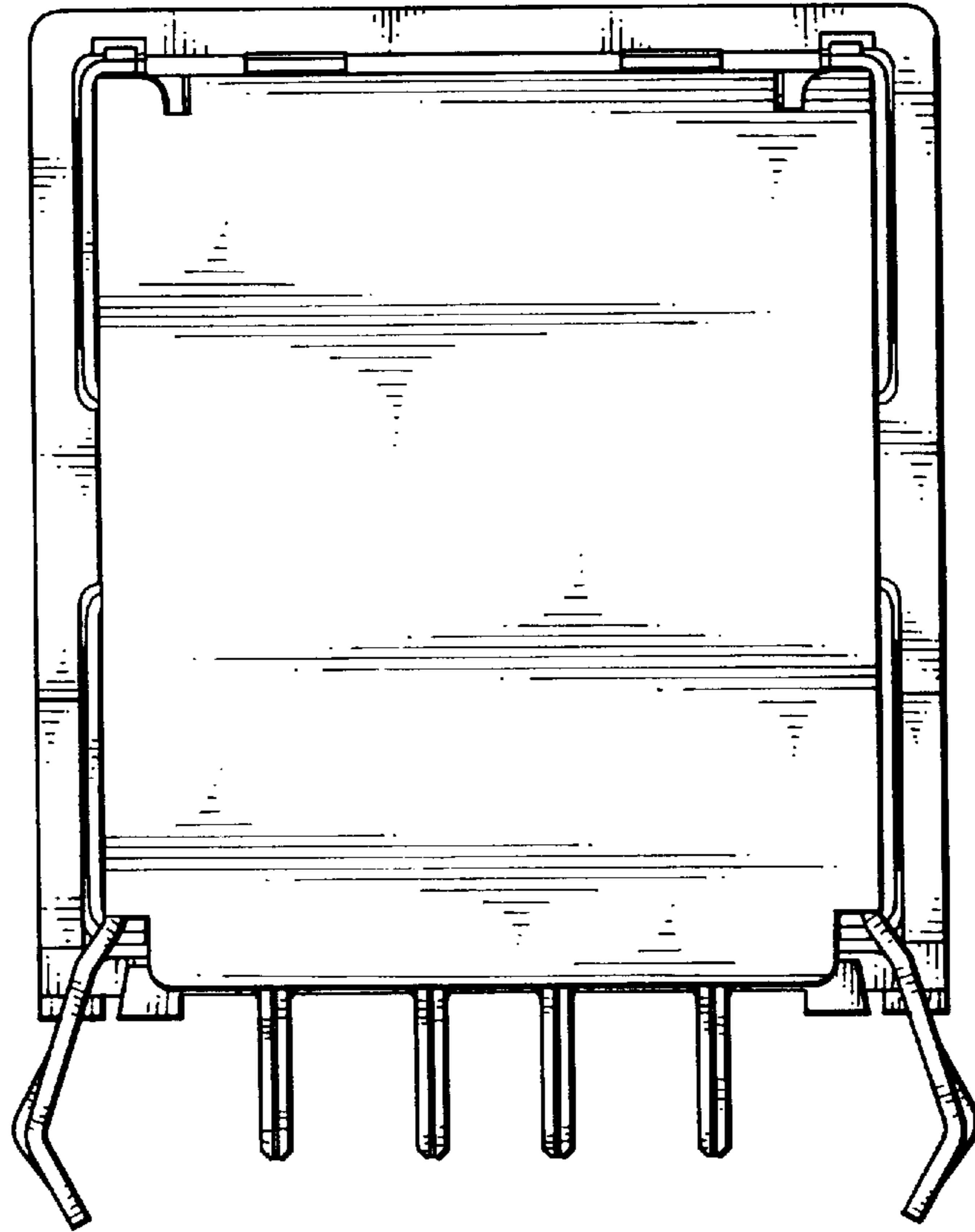


FIG. 3

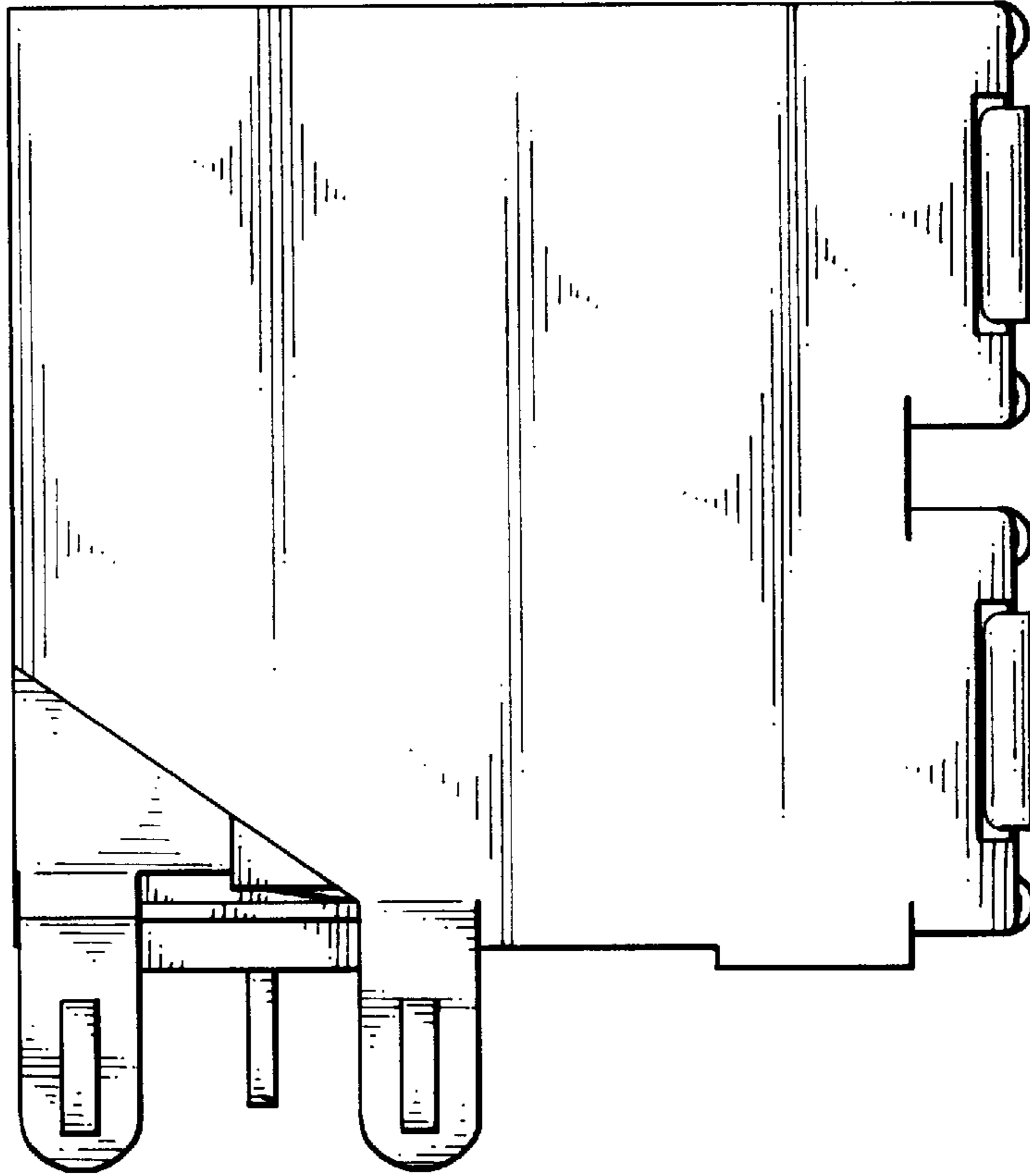


FIG. 4

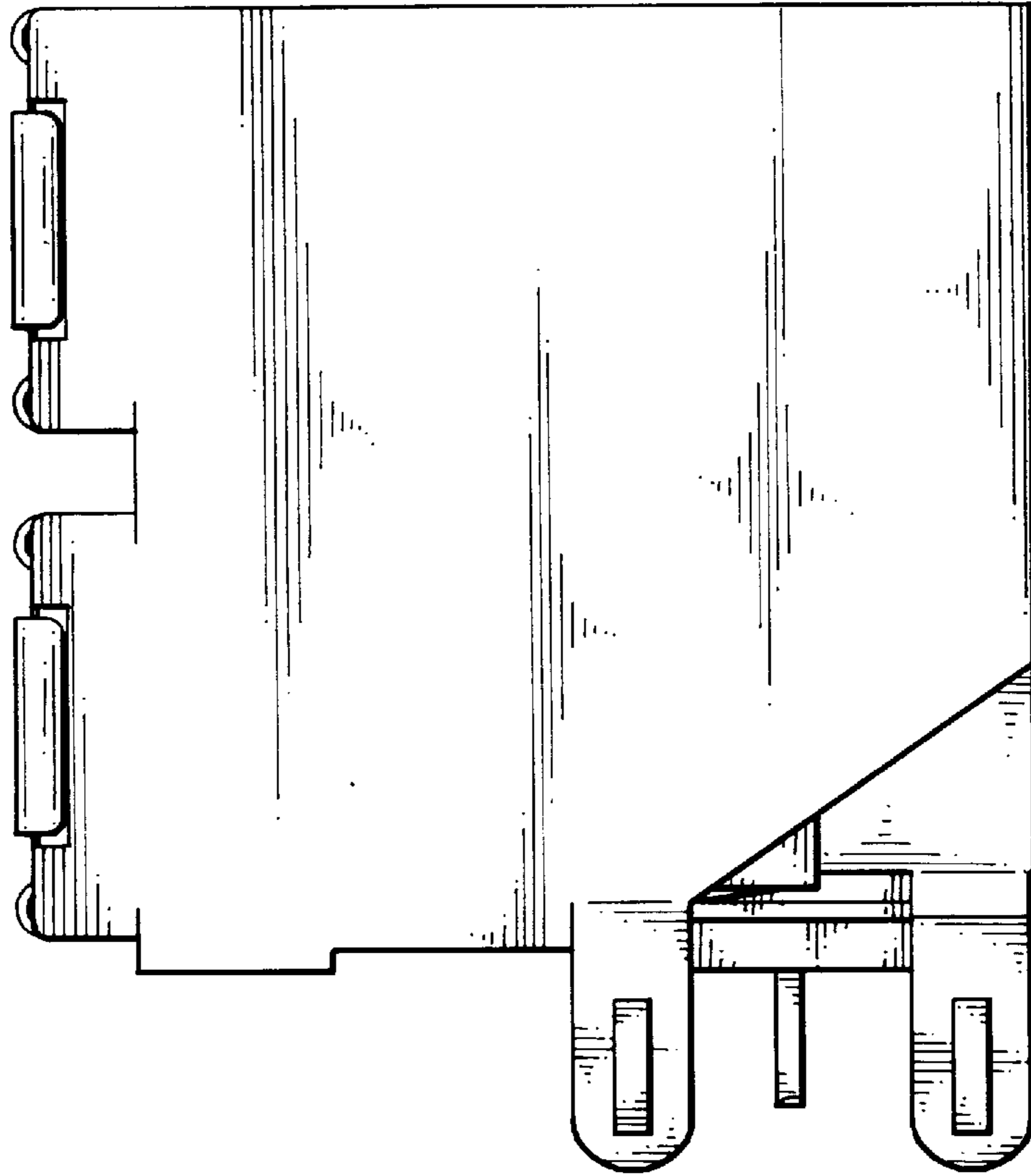


FIG. 5

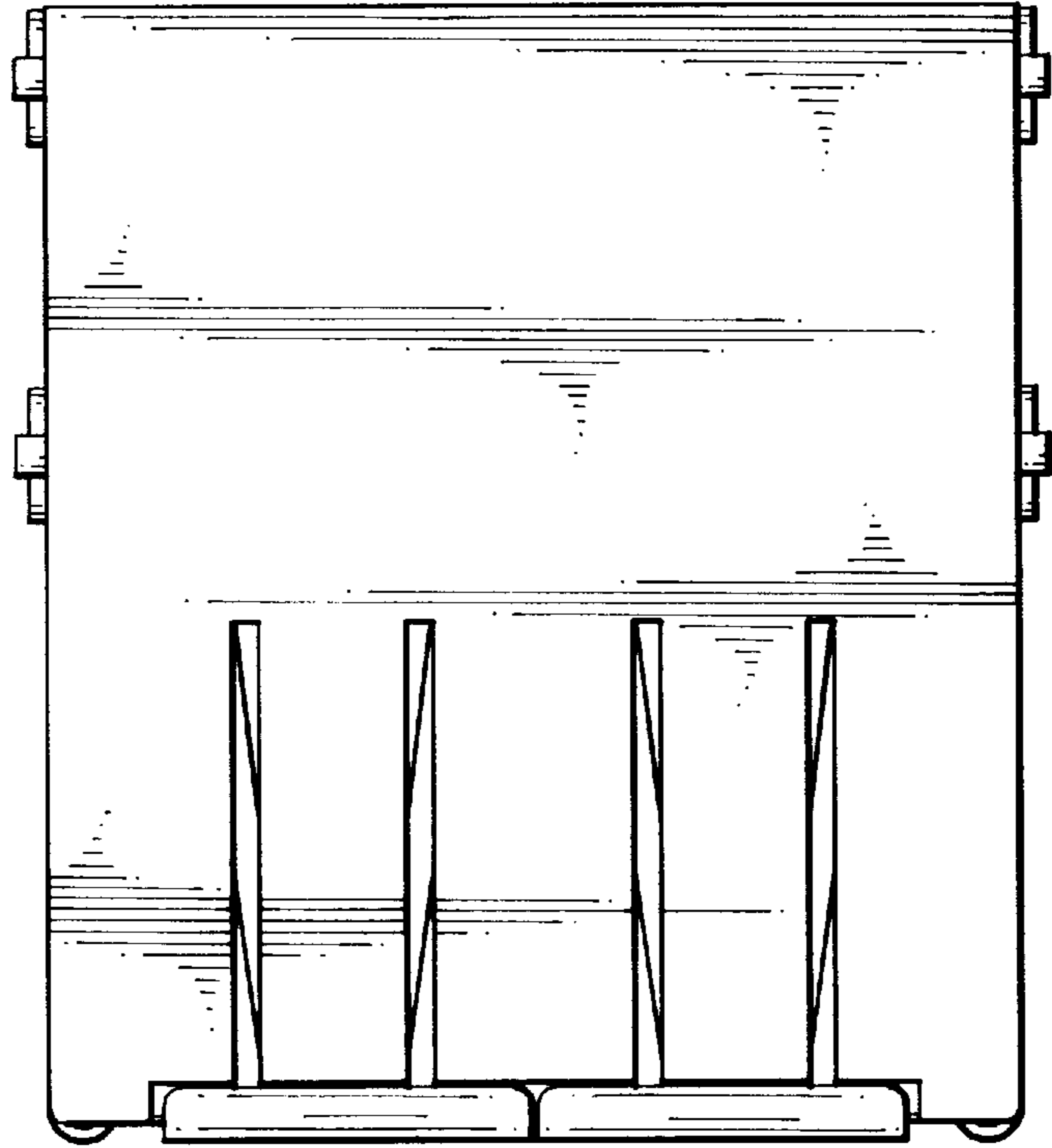


FIG. 6

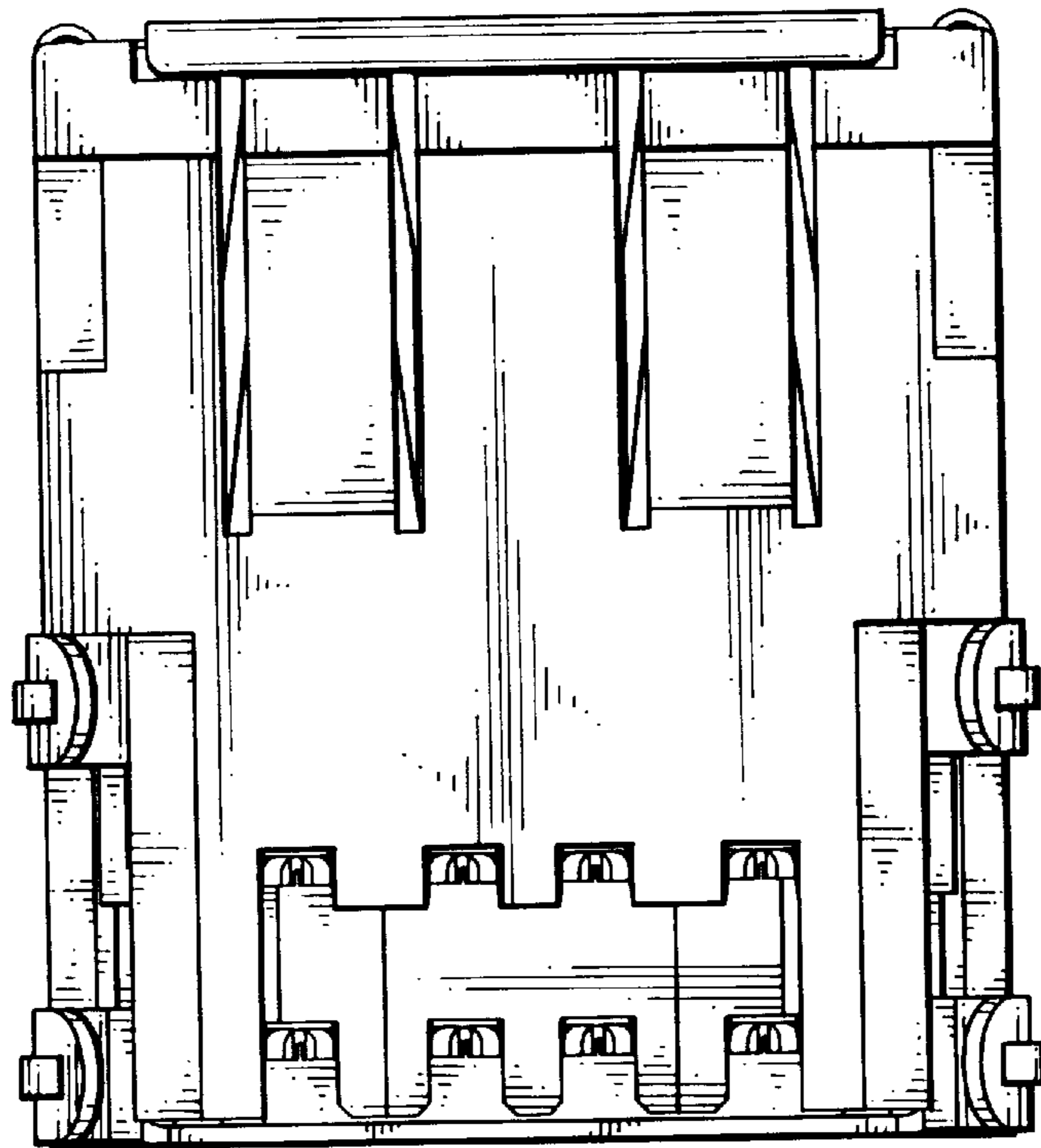


FIG. 7