



US00D406816S

# United States Patent [19] Hopper et al.

[11] Patent Number: Des. 406,816

[45] Date of Patent: \*\*Mar. 16, 1999

[54] ELECTRICAL CONNECTOR

[75] Inventors: Douglas A. Hopper, Maryville, Ill.;  
Michael J. Schinsky, St. Louis, Mo.

[73] Assignee: Hubbell Incorporated, Orange, Conn.

[\*\*] Term: 14 Years

[21] Appl. No.: 72,978

[22] Filed: Jun. 26, 1997

[51] LOC (6) Cl. .... 13-03

[52] U.S. Cl. .... D13/146

[58] Field of Search ..... D13/146, 133;  
439/460, 469, 463, 680, 352

[56] References Cited

U.S. PATENT DOCUMENTS

D. 162,795	4/1951	De Tar	.....	D13/146
D. 294,018	2/1988	Poliak et al.	.....	D13/24
D. 336,070	6/1993	Clark	.....	D13/146 X
D. 356,296	3/1995	Chapman	.....	D13/146
D. 371,112	6/1996	Anthony	.....	D13/146
D. 372,221	7/1996	Anthony	.....	D13/146
4,191,443	3/1980	Doyle	.....	339/103 R
4,927,386	5/1990	Neuroth	.....	439/589
5,308,259	5/1994	Liao	.....	439/469 X
5,346,406	9/1994	Hoffman et al.	.....	439/474
5,641,310	6/1997	Tiberio, Jr.	.....	439/680

Primary Examiner—Joel Sincavage

Attorney, Agent, or Firm—Jerry M. Presson; David L. Tarnoff; Thomas P. Hilliard

[57] CLAIM

The ornamental design for an electrical connector, as shown and described herein.

DESCRIPTION

FIG. 1 is a first perspective view of the electrical connector in accordance with a first embodiment of our new design;

FIG. 2 is a second perspective view of the electrical connector illustrated in FIG. 1 ;

FIG. 3 is a front elevational view of the electrical connector illustrated in FIGS. 1 and 2;

FIG. 4 is a back elevational view of the electrical connector illustrated in FIGS. 1-3;

FIG. 5 is a top end plan view of the electrical connector illustrated in FIGS. 1-4 as viewed along its longitudinal axis in FIG. 3;

FIG. 6 is a bottom end plan view of the electrical connector illustrated in FIGS. 1-5 as viewed along its longitudinal axis in FIG. 3;

FIG. 7 is a left side elevational view of the electrical connector illustrated in FIGS. 1-6;

FIG. 8 is a right side elevational view of the electrical connector illustrated in FIGS. 1-7;

FIG. 9 is a first perspective view of the electrical connector with locking ring removed in accordance with a second embodiment of our new design;

FIG. 10 is a second perspective view of the electrical connector with locking ring removed illustrated in FIG. 9;

FIG. 11 is a front elevational view of the electrical connector with locking ring removed illustrated in FIGS. 9 and 10;

FIG. 12 is a back elevational view of the electrical connector with locking ring removed illustrated in FIGS. 9-12;

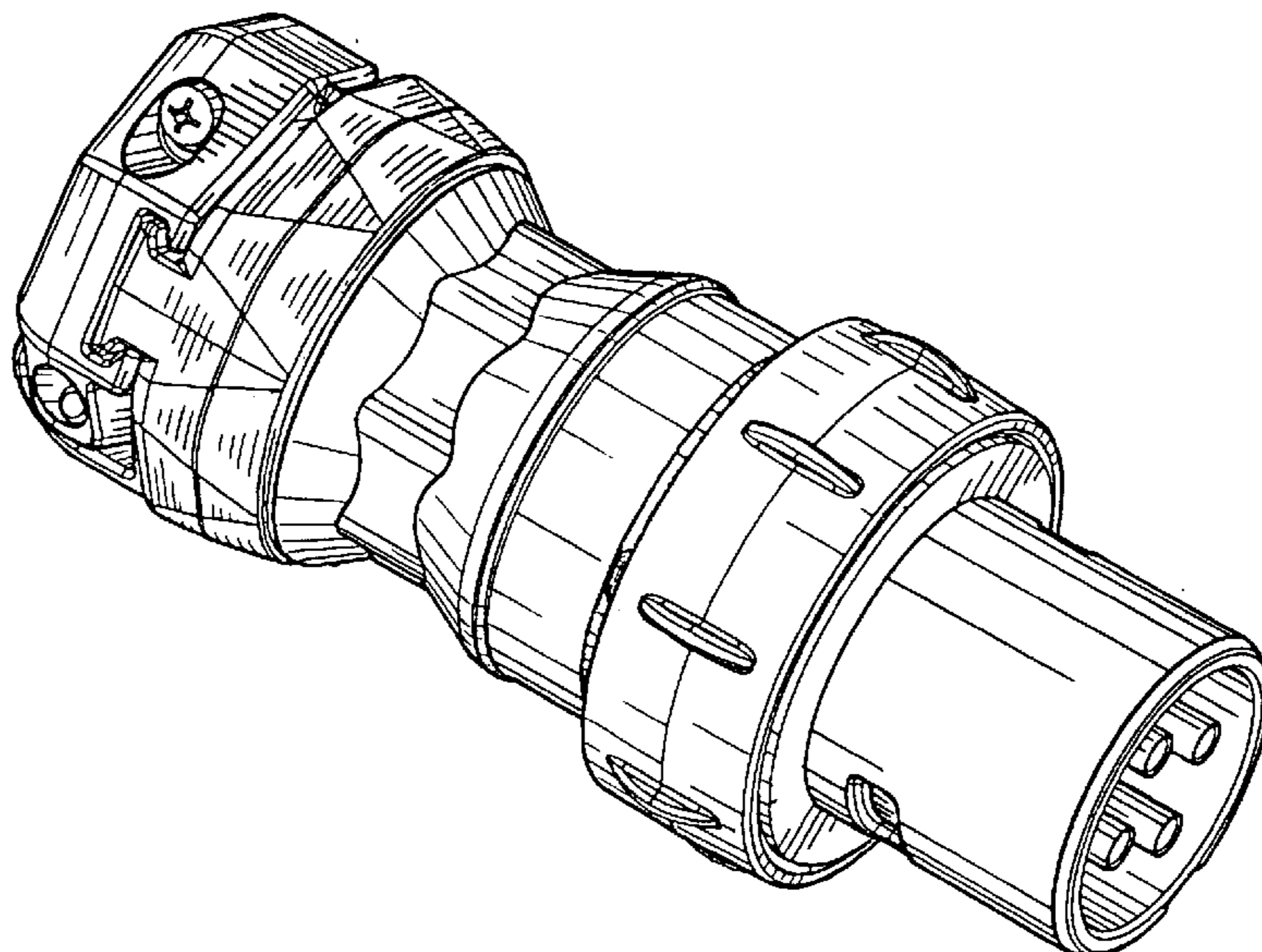
FIG. 13 is a top end plan view of the electrical connector with locking ring removed illustrated in FIGS. 9-12 as viewed along its longitudinal axis in FIG. 11;

FIG. 14 is a bottom end plan view of the electrical connector with locking ring removed illustrated in FIGS. 9-13 as viewed along its longitudinal axis in FIG. 11;

FIG. 15 is a left side elevational view of the electrical connector with locking ring removed illustrated in FIGS. 9-13; and,

FIG. 16 is a right side elevational view of the electrical connector with locking ring removed illustrated in FIGS. 9-14.

1 Claim, 6 Drawing Sheets



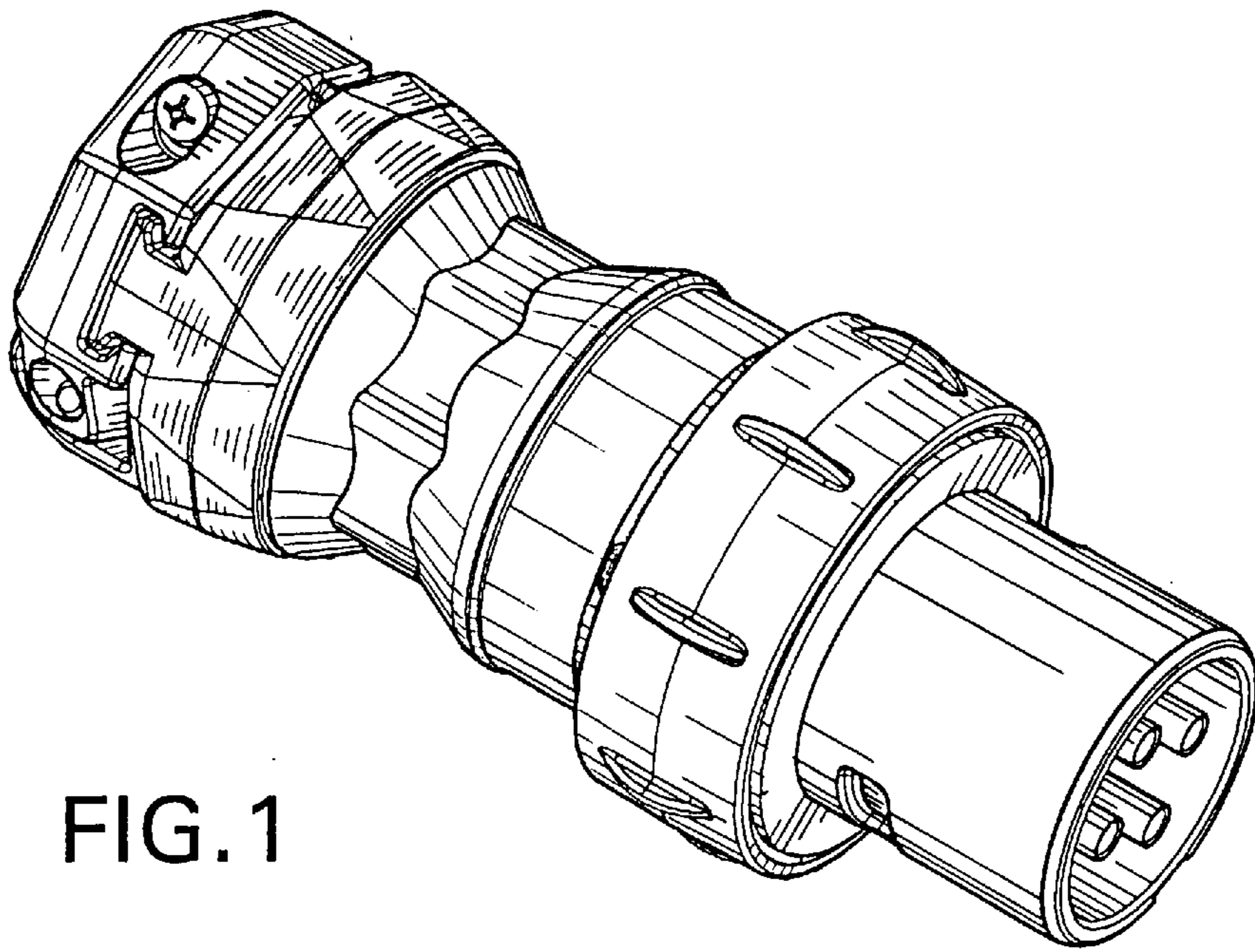


FIG. 1

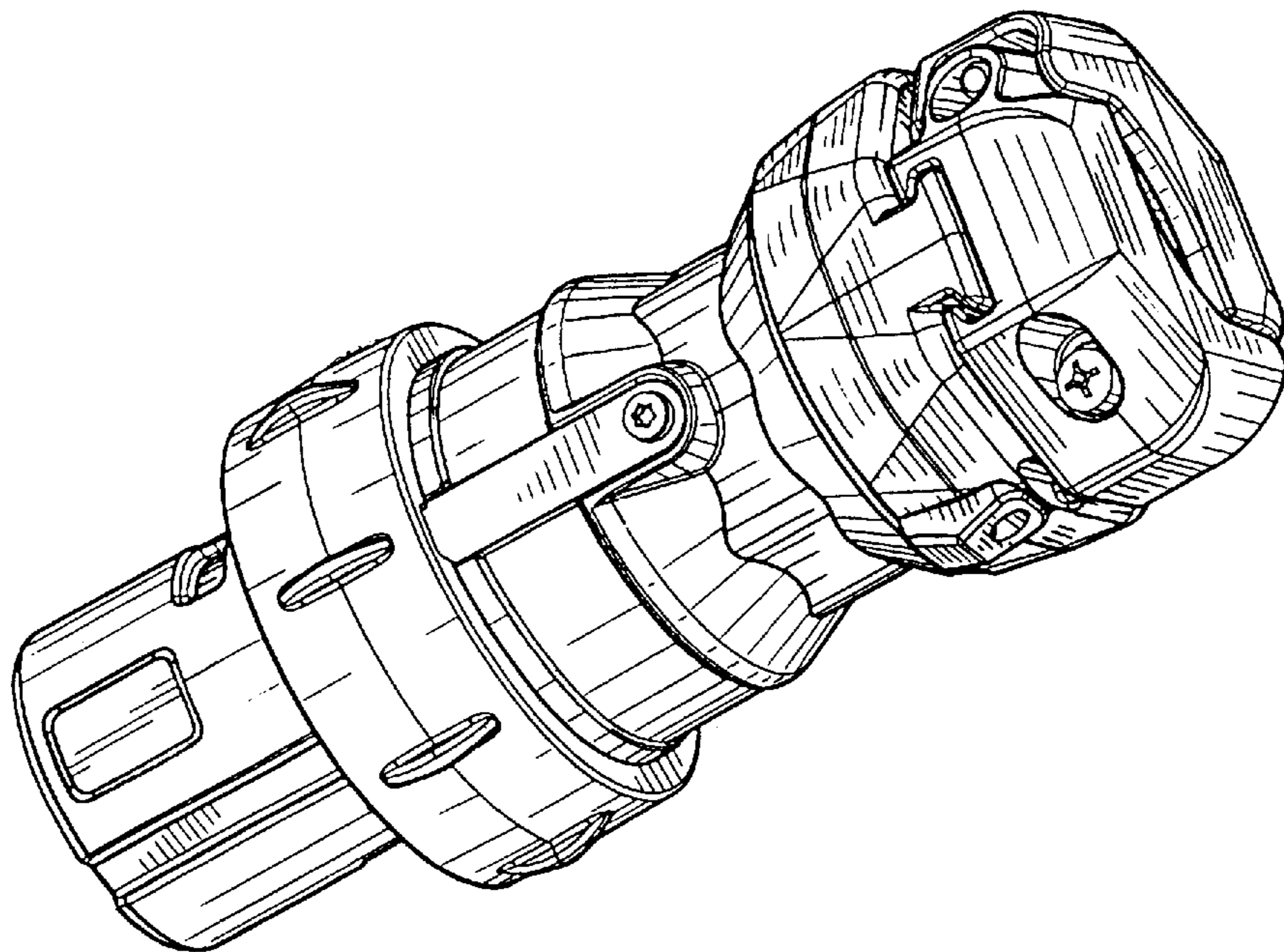


FIG. 2

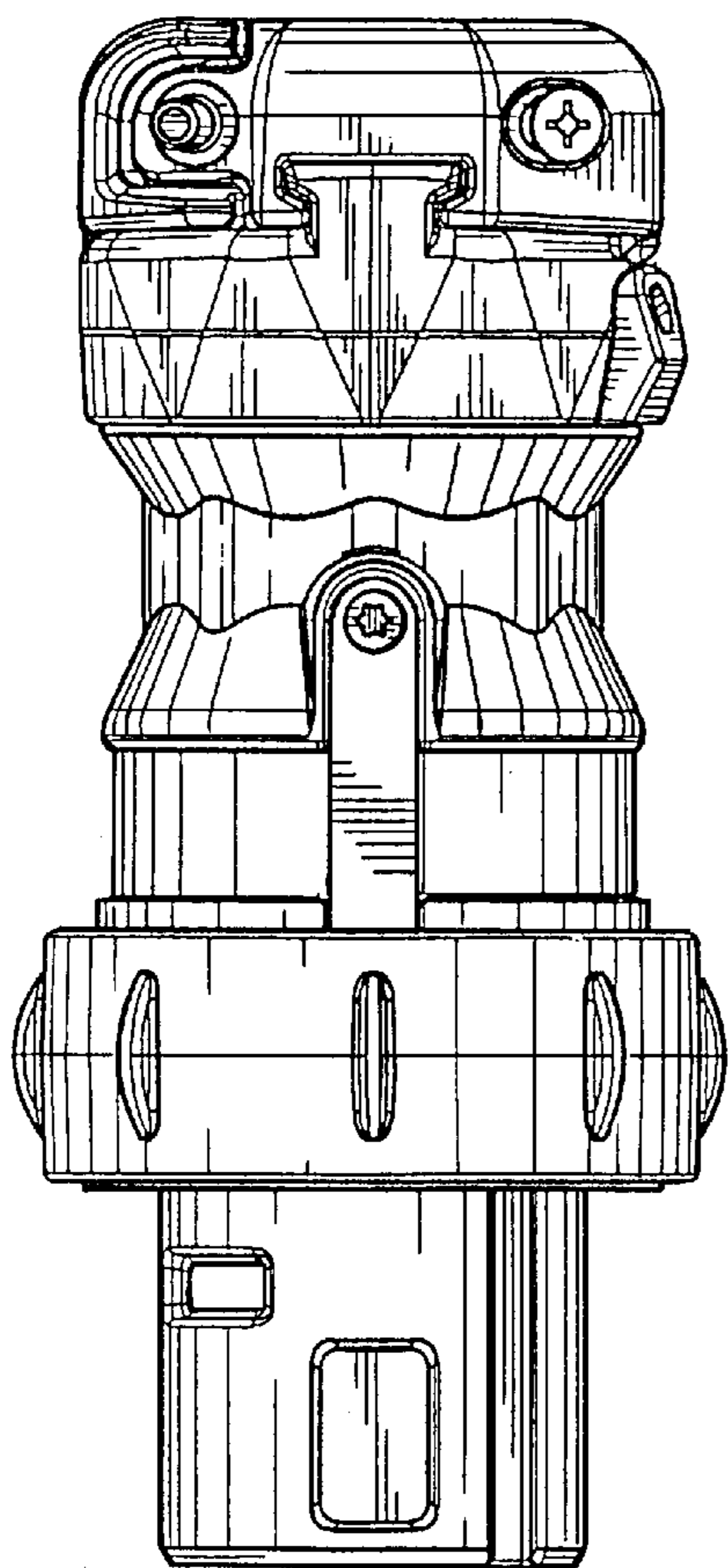


FIG. 3

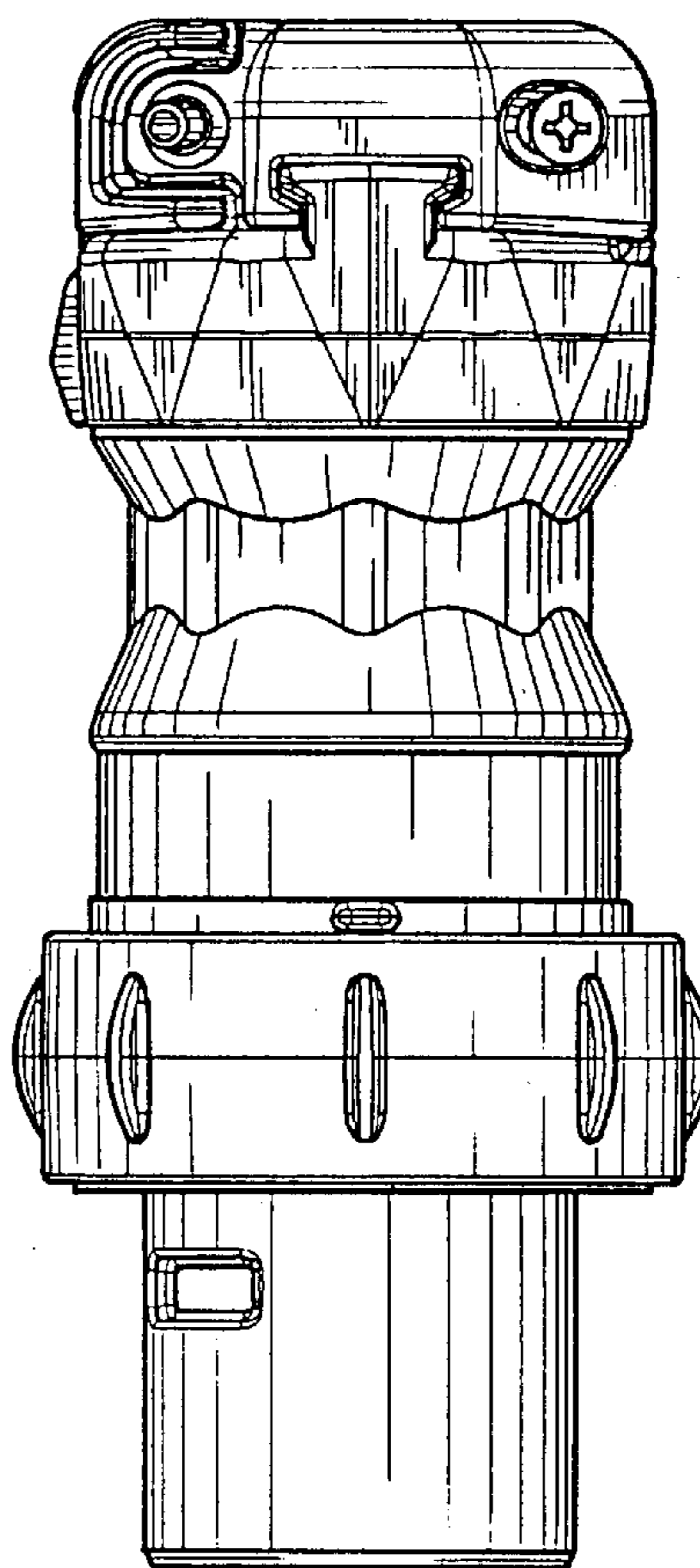


FIG. 4

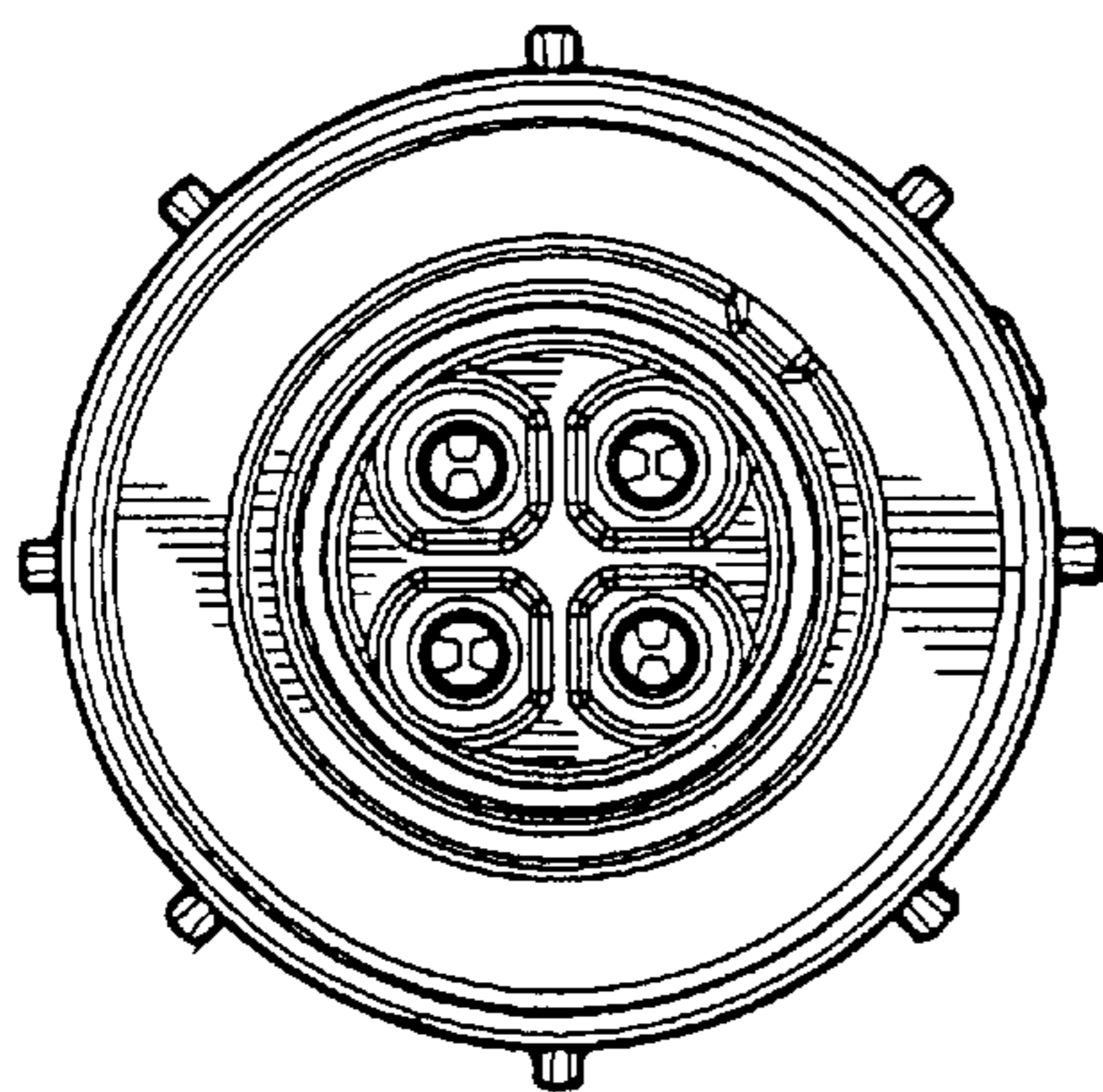


FIG. 5

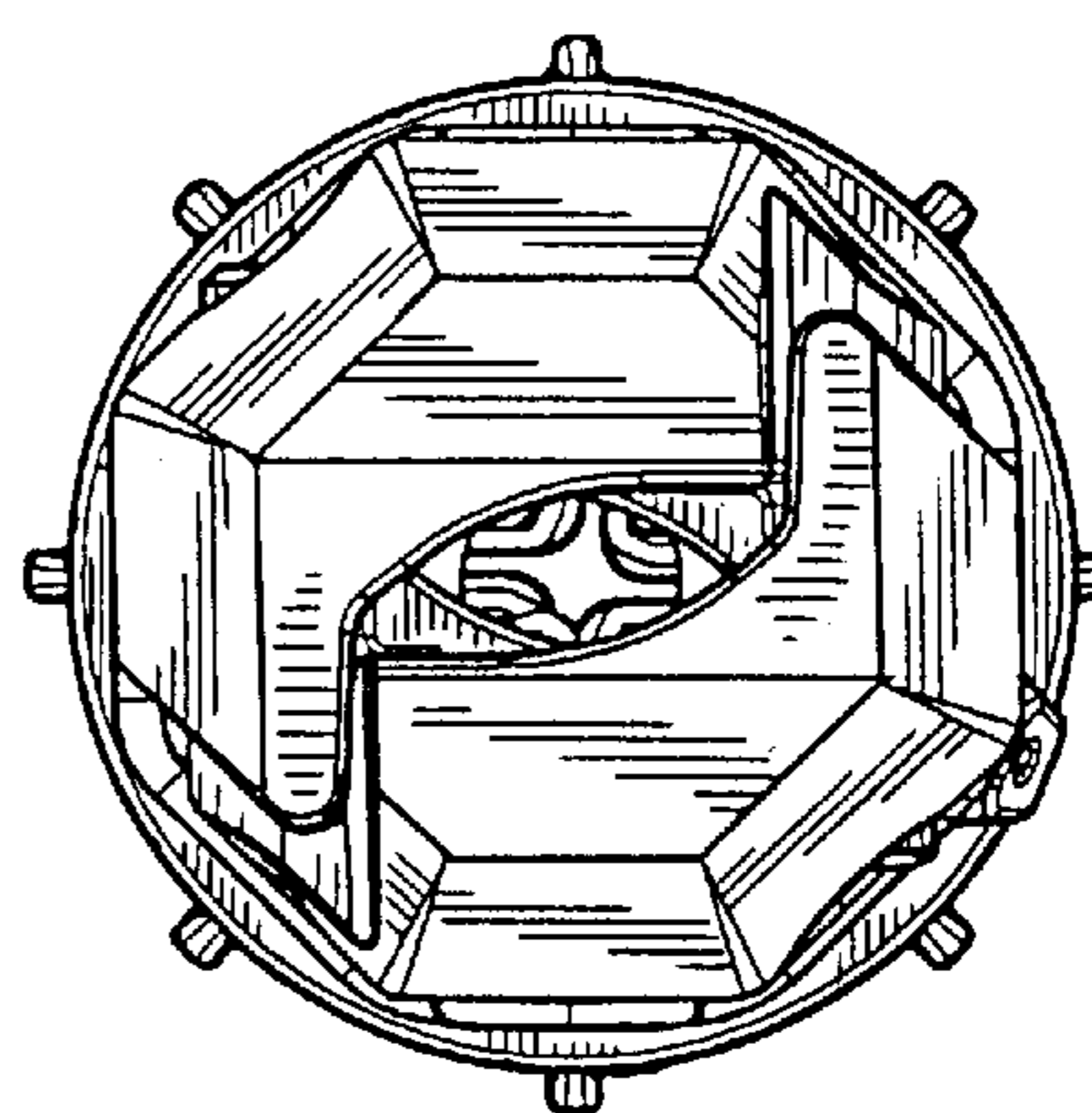


FIG. 6

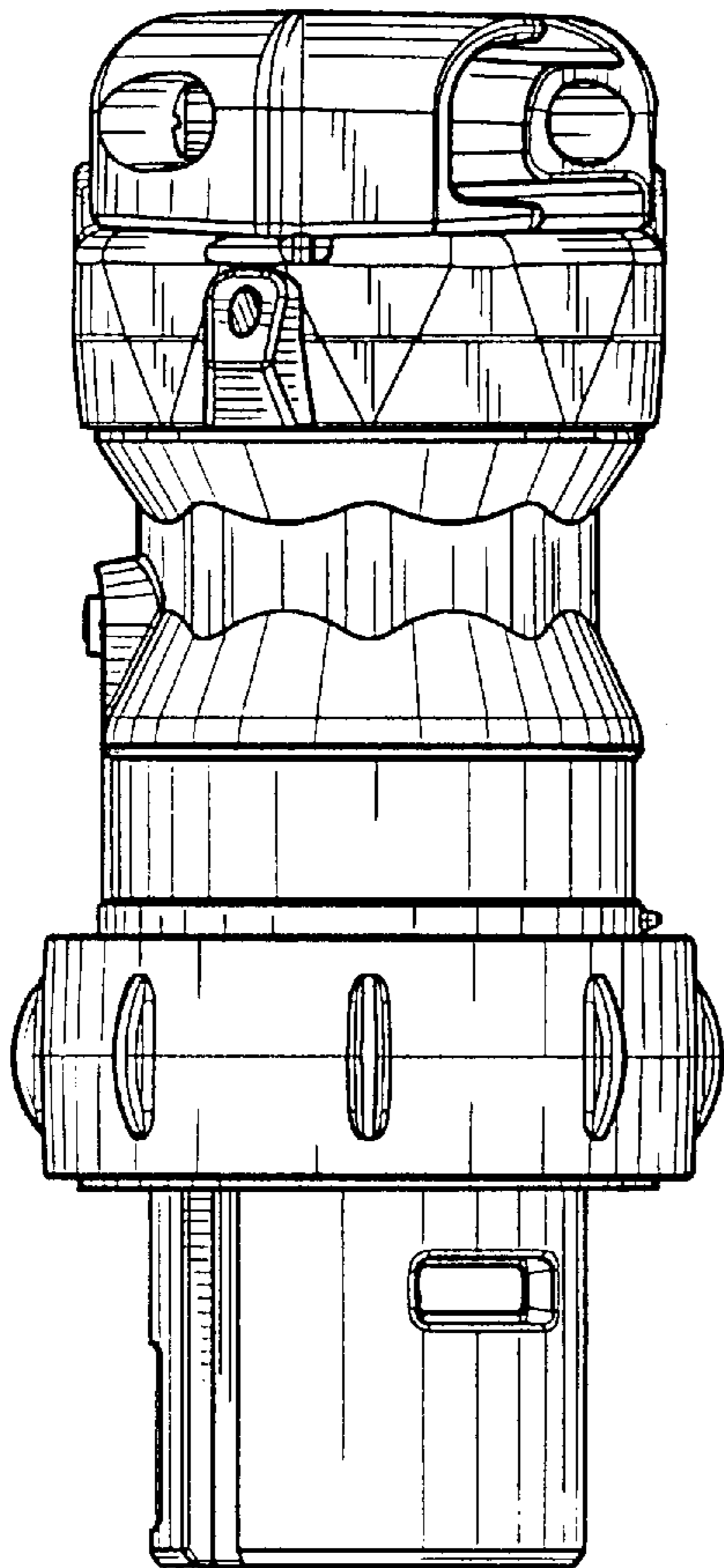


FIG. 7

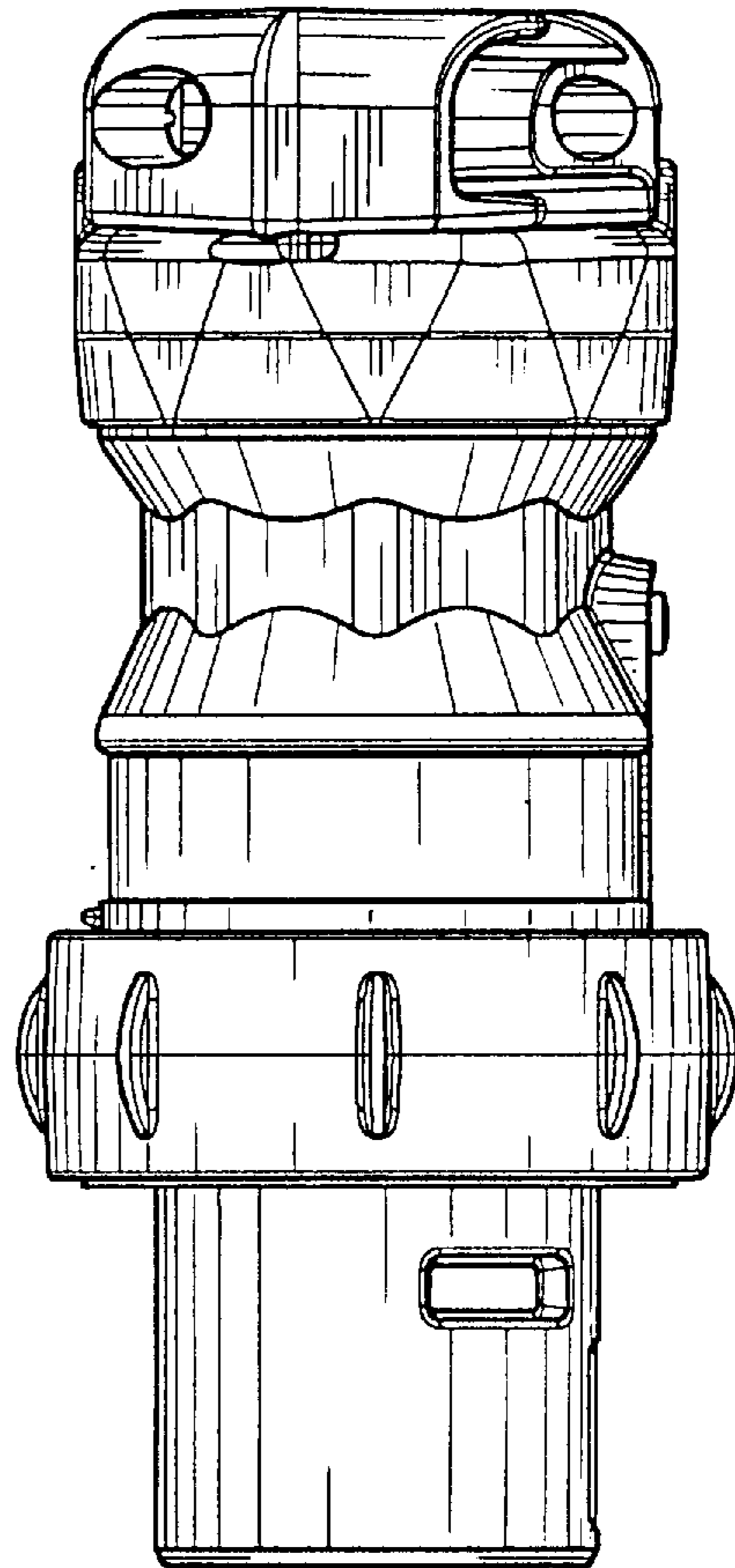


FIG. 8

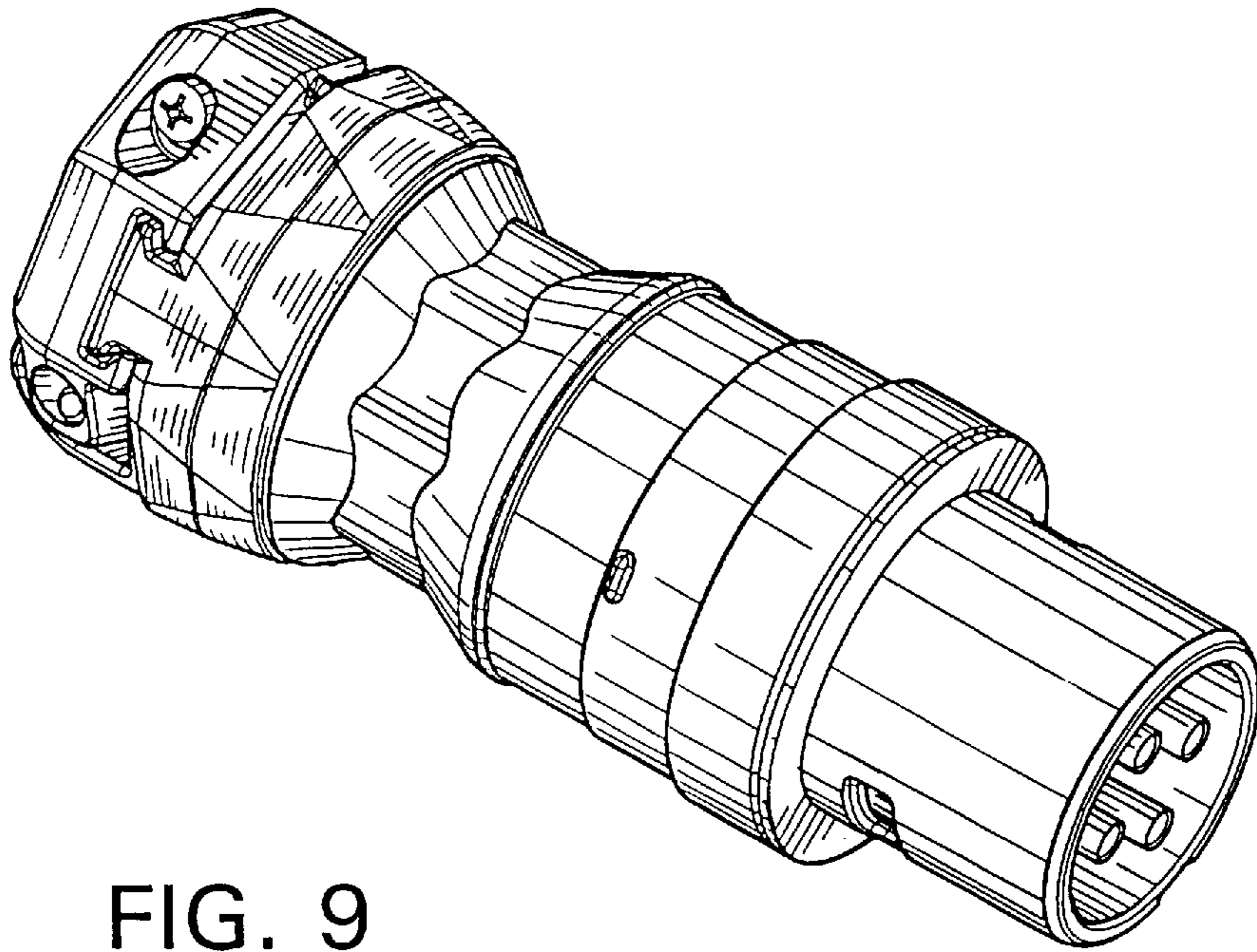


FIG. 9

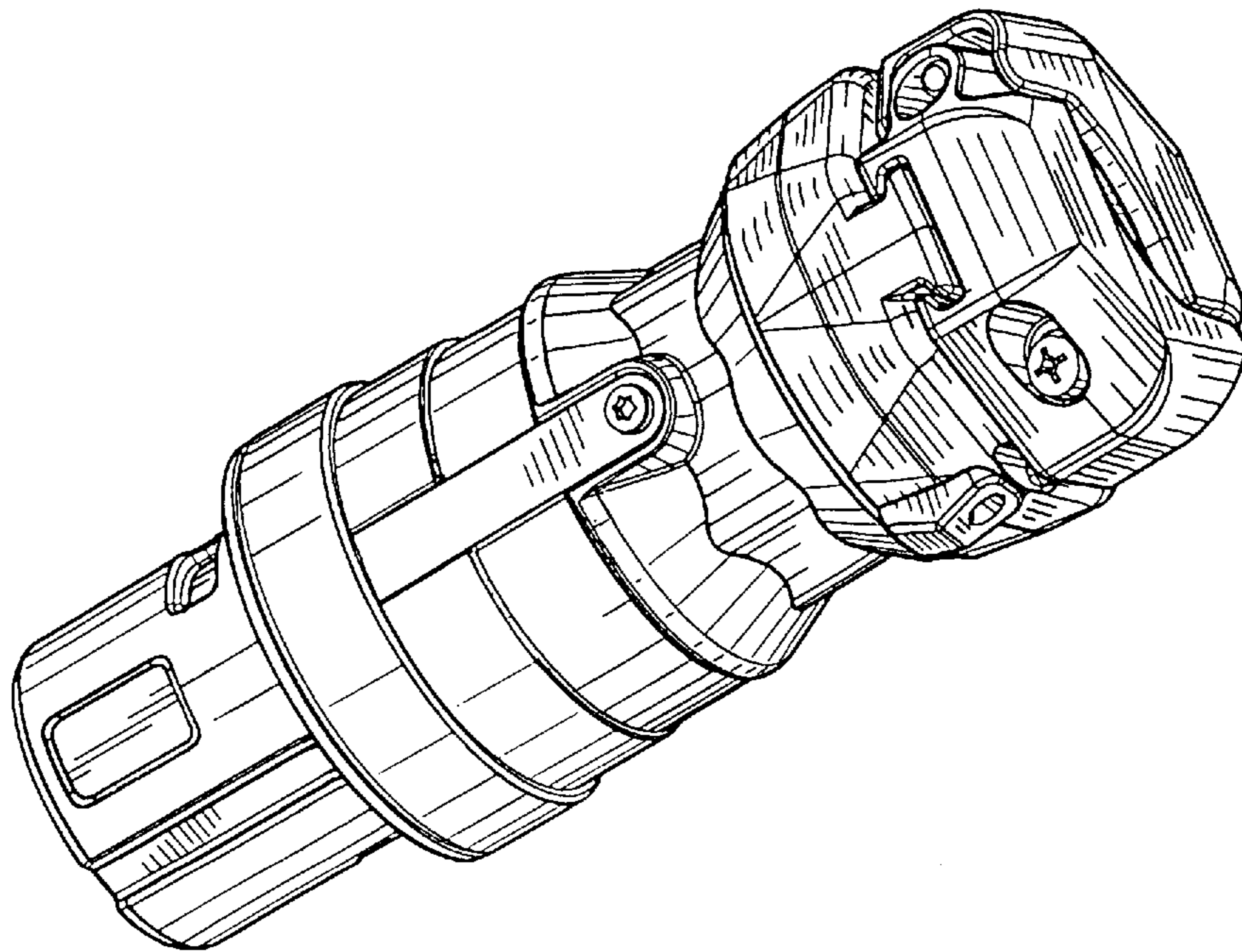


FIG. 10

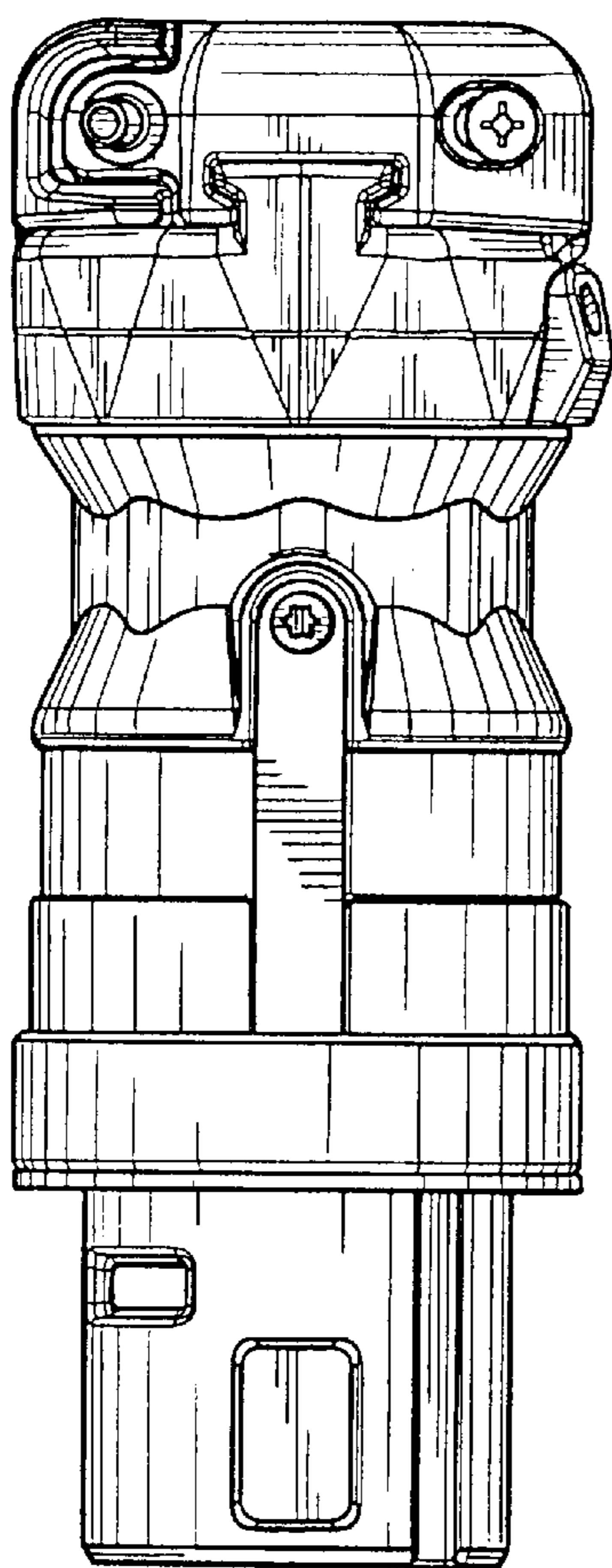


FIG. 11

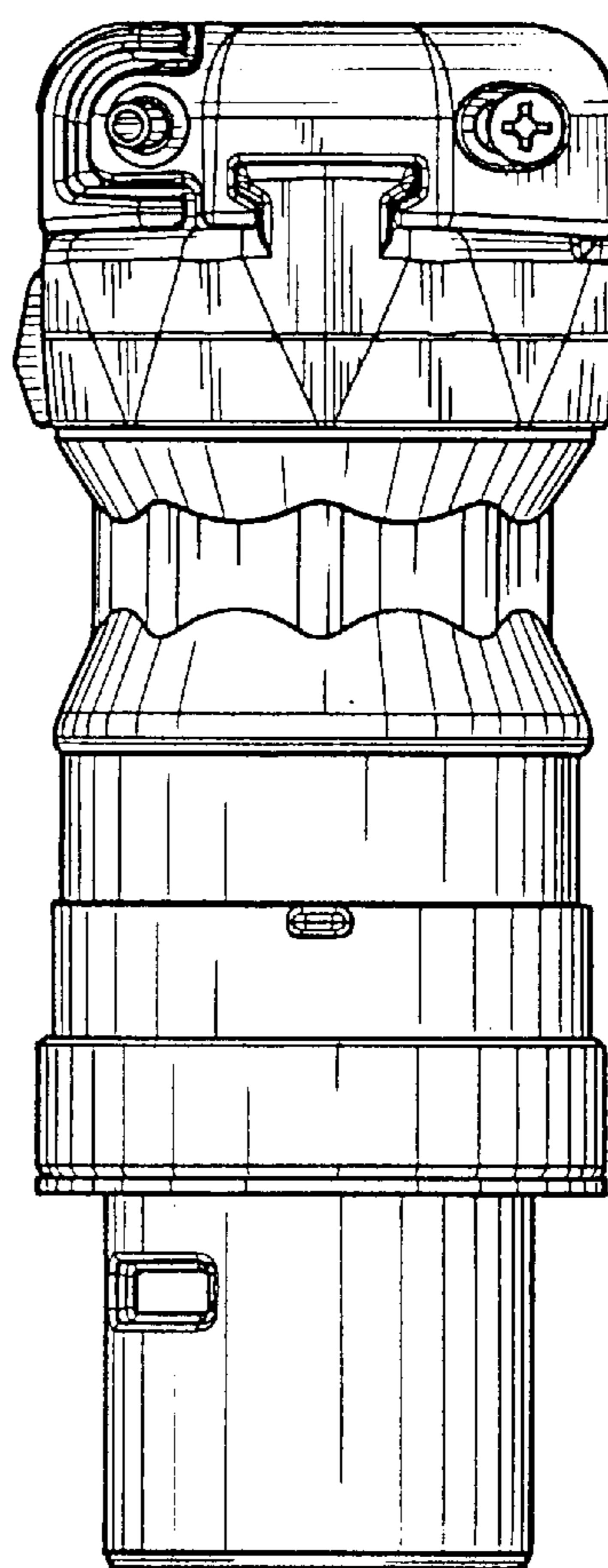


FIG. 12

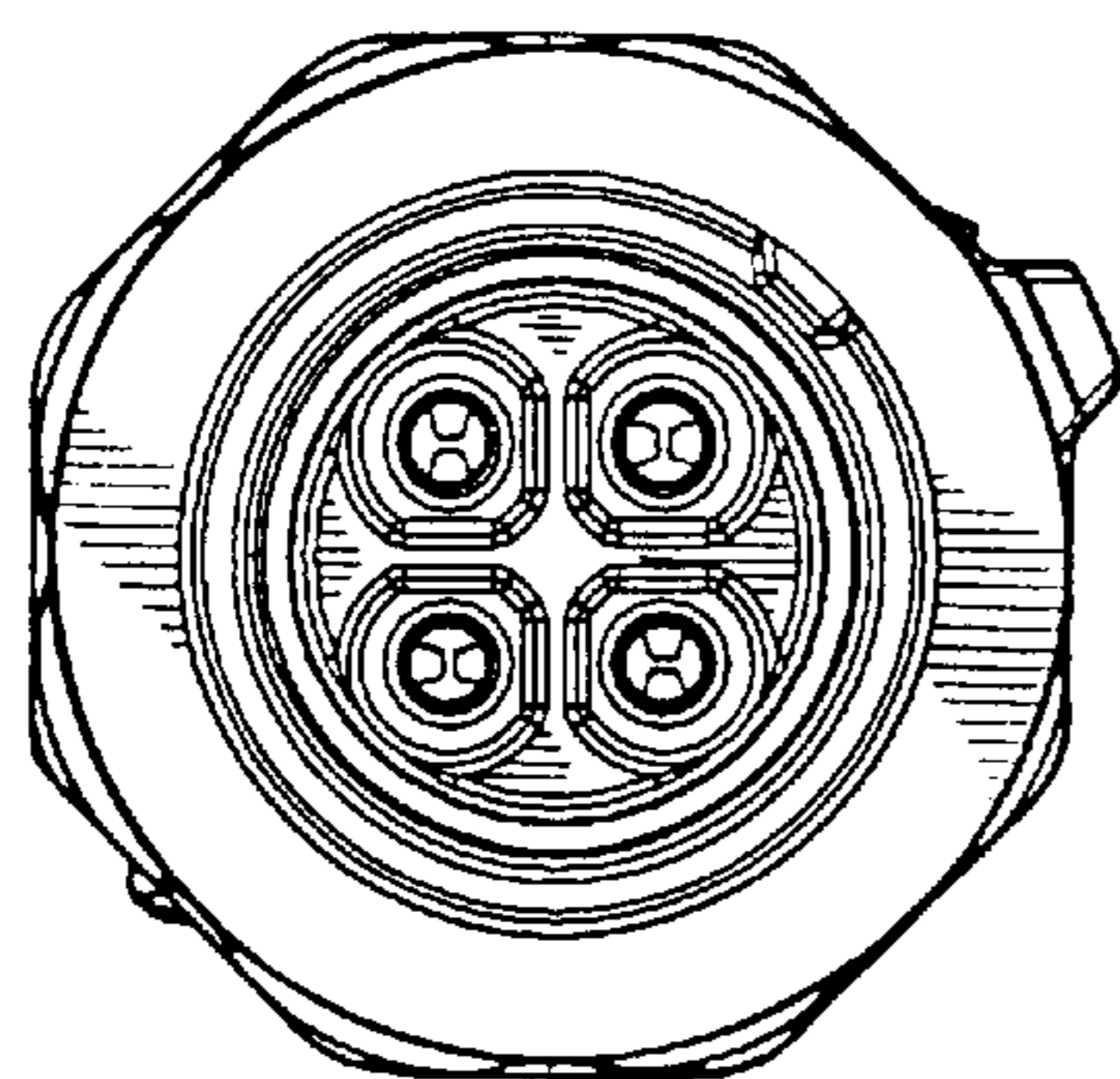


FIG. 13

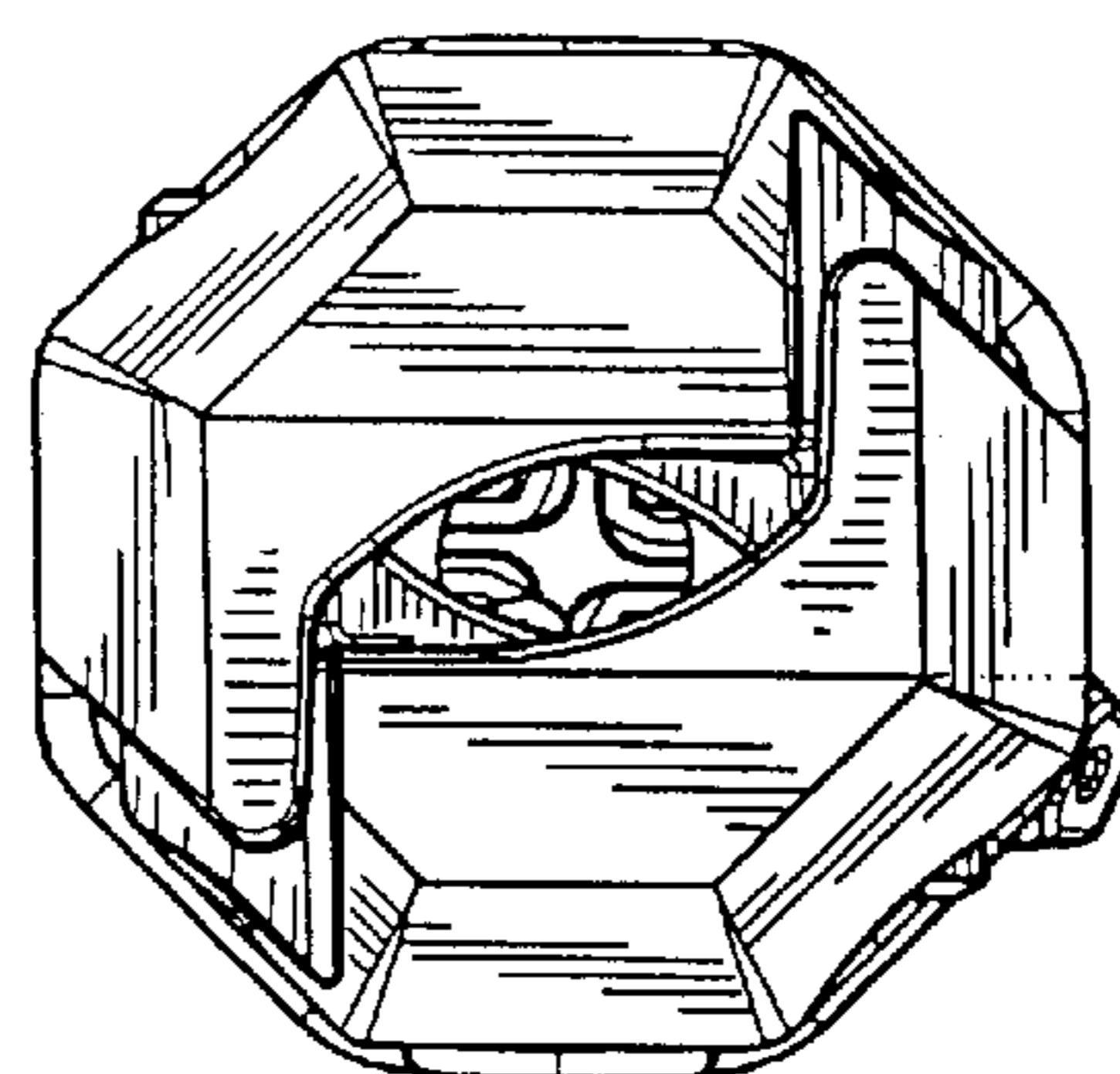


FIG. 14

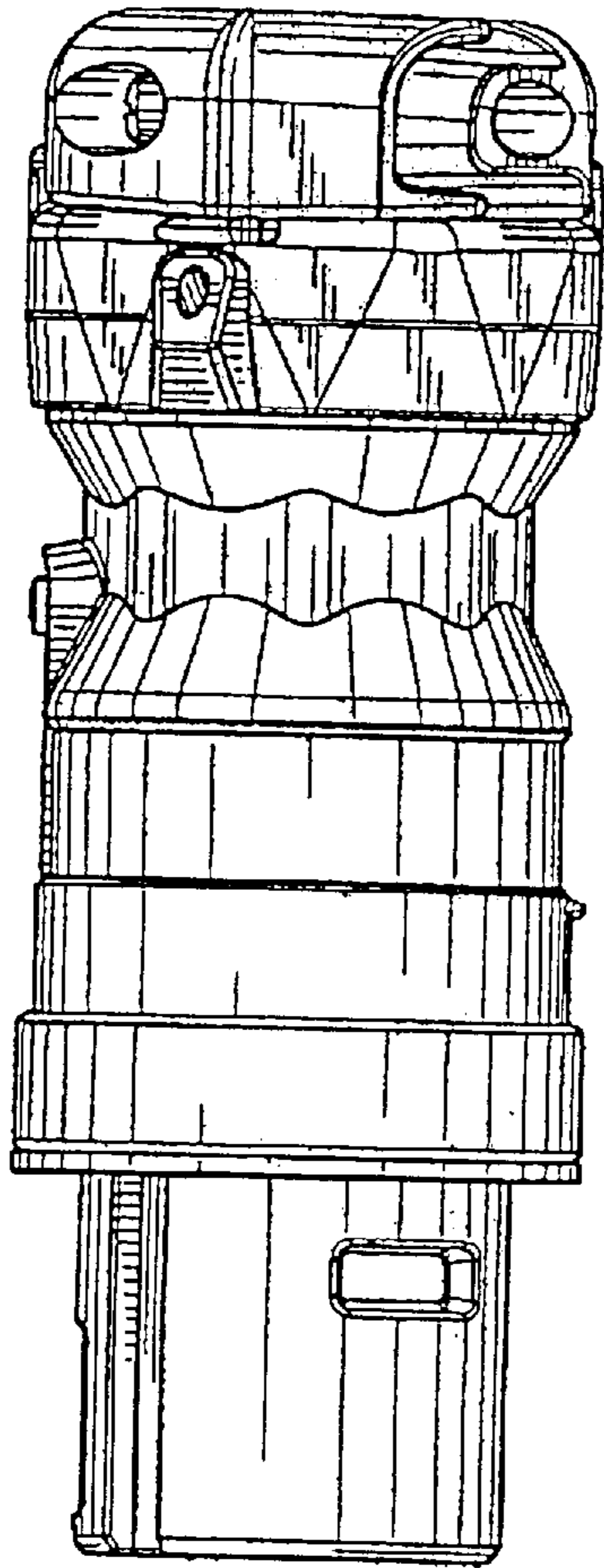


FIG. 15

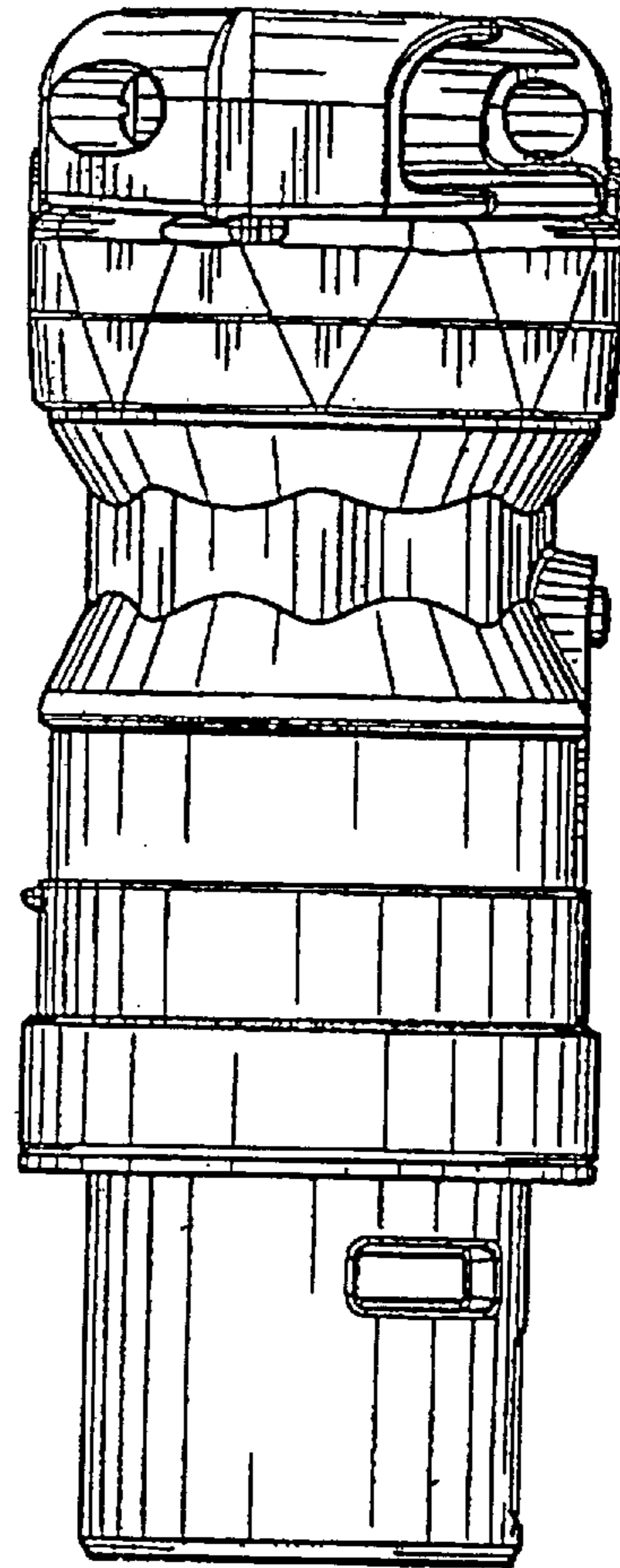


FIG. 16