



US00D406815S

United States Patent [19] Martensson

[11] **Patent Number: Des. 406,815**

[45] **Date of Patent: **Mar. 16, 1999**

[54] **ADAPTOR PLUG**

[75] Inventor: **Nils Martensson**, Chobham, England

[73] Assignee: **IPR Industries Limited**, Farnborough, Great Britain

[**] Term: **14 Years**

[21] Appl. No.: **70,703**

[22] Filed: **May 14, 1997**

[30] **Foreign Application Priority Data**

Nov. 15, 1996 [GB] United Kingdom 2060823

[51] **LOC (6) Cl.** **13-03**

[52] **U.S. Cl.** **D13/138.1; D13/137.2**

[58] **Field of Search** 439/140-141, 439/152, 160, 484, 692-695, 135-137, 736, 477, 164, 446; 337/198, 197; D13/138.1-138.2, 137.1-137.4, 139.1-139.8

[56] **References Cited**

U.S. PATENT DOCUMENTS

D. 264,582 5/1982 Drew D13/138.2

D. 375,292 11/1996 D'Amato D13/137.1
2,027,447 1/1936 Percy 439/446
5,106,317 4/1992 Taylor 439/173

Primary Examiner—Susan J. Lucas
Assistant Examiner—Jennifer Rivard
Attorney, Agent, or Firm—Herbert Dubno

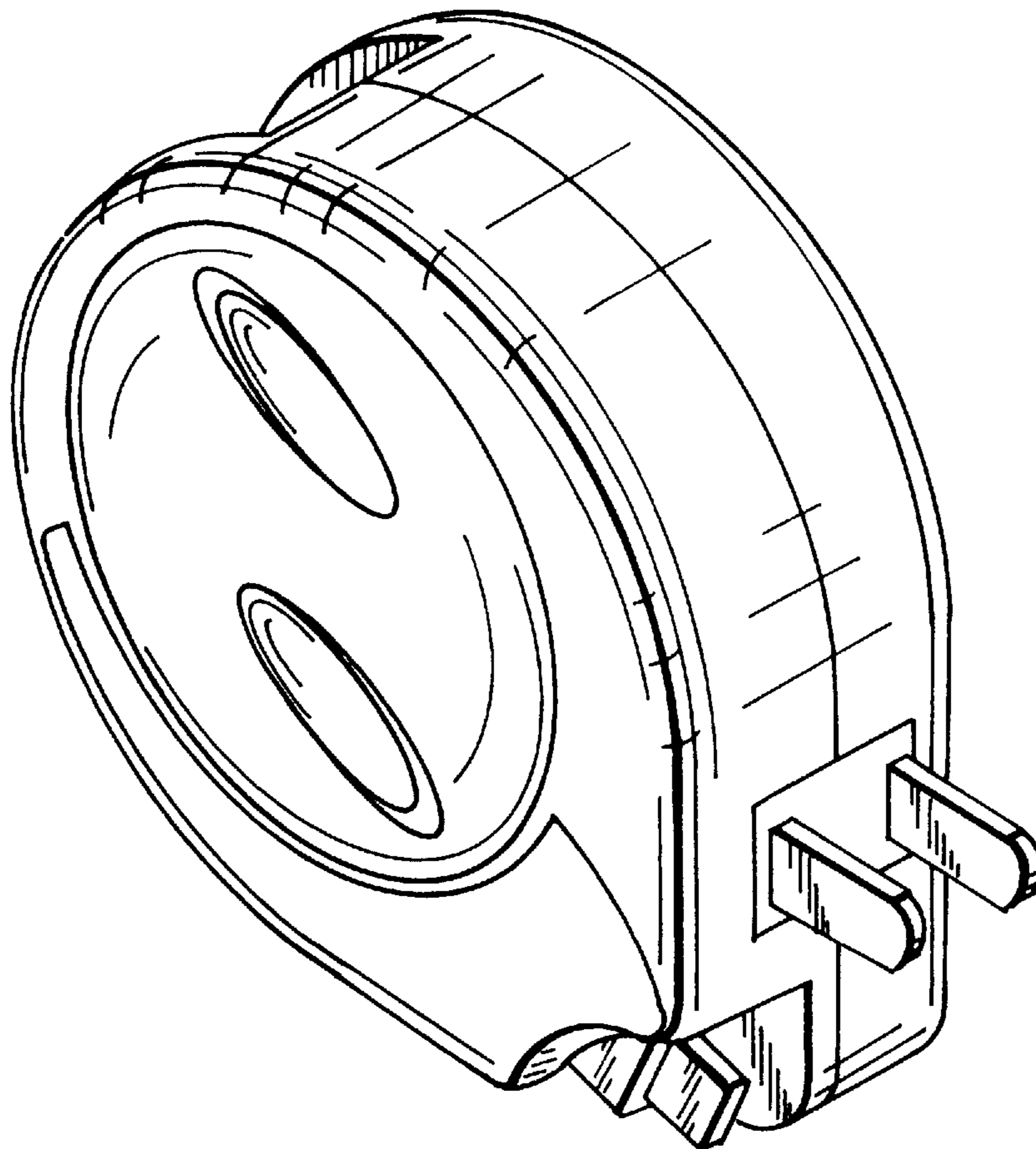
[57] **CLAIM**

The ornamental design for an adaptor plug, as shown and described.

DESCRIPTION

FIG. 1 is a perspective view showing the front view of the adaptor embodying my design;
FIG. 2 is a right side view thereof;
FIG. 3 is a rear view thereof;
FIG. 4 is a left side view thereof;
FIG. 5 is a bottom view thereof; and,
FIG. 6 is a top and left side view at 45 degrees thereto.

1 Claim, 6 Drawing Sheets



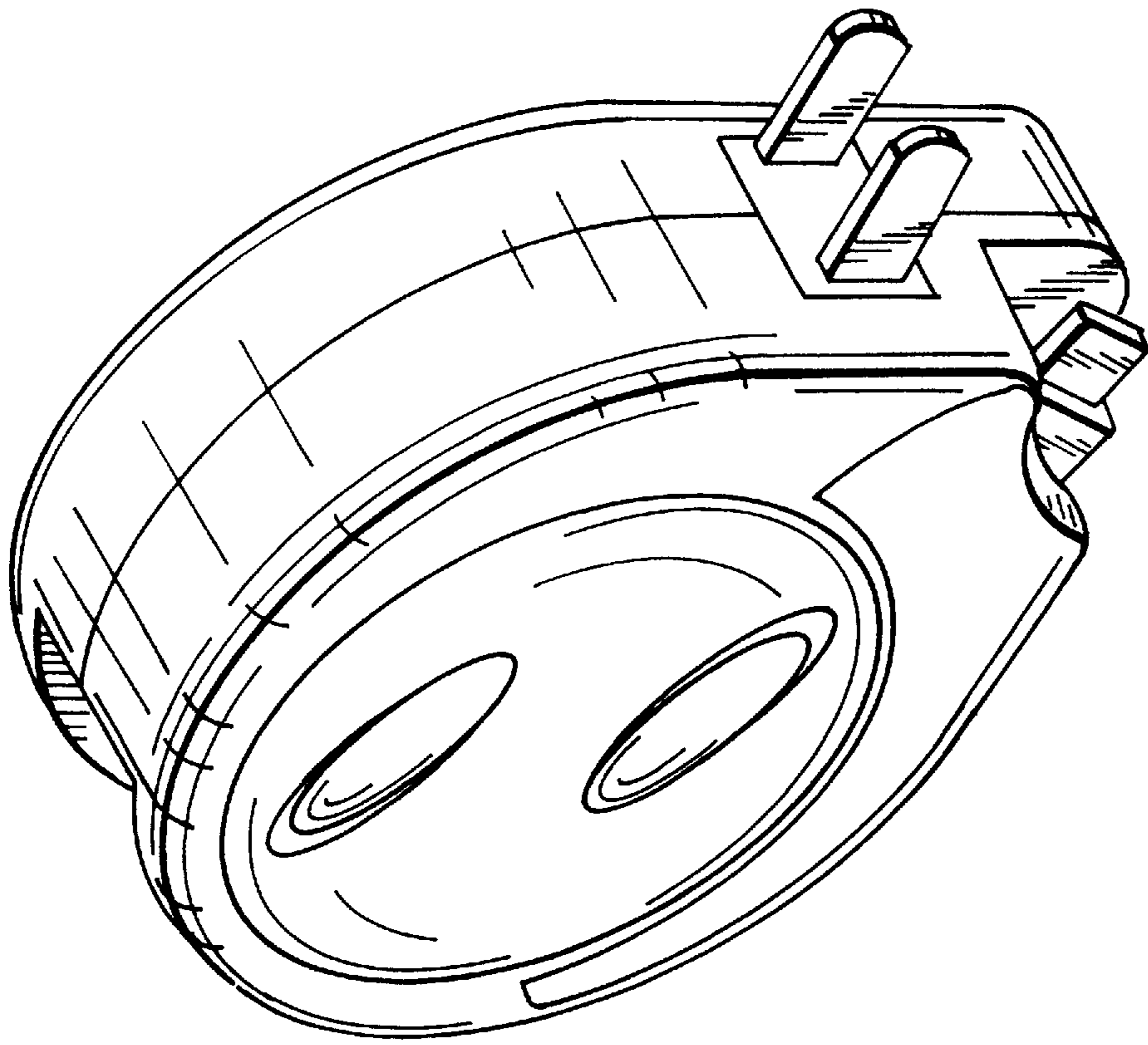


FIG. 1

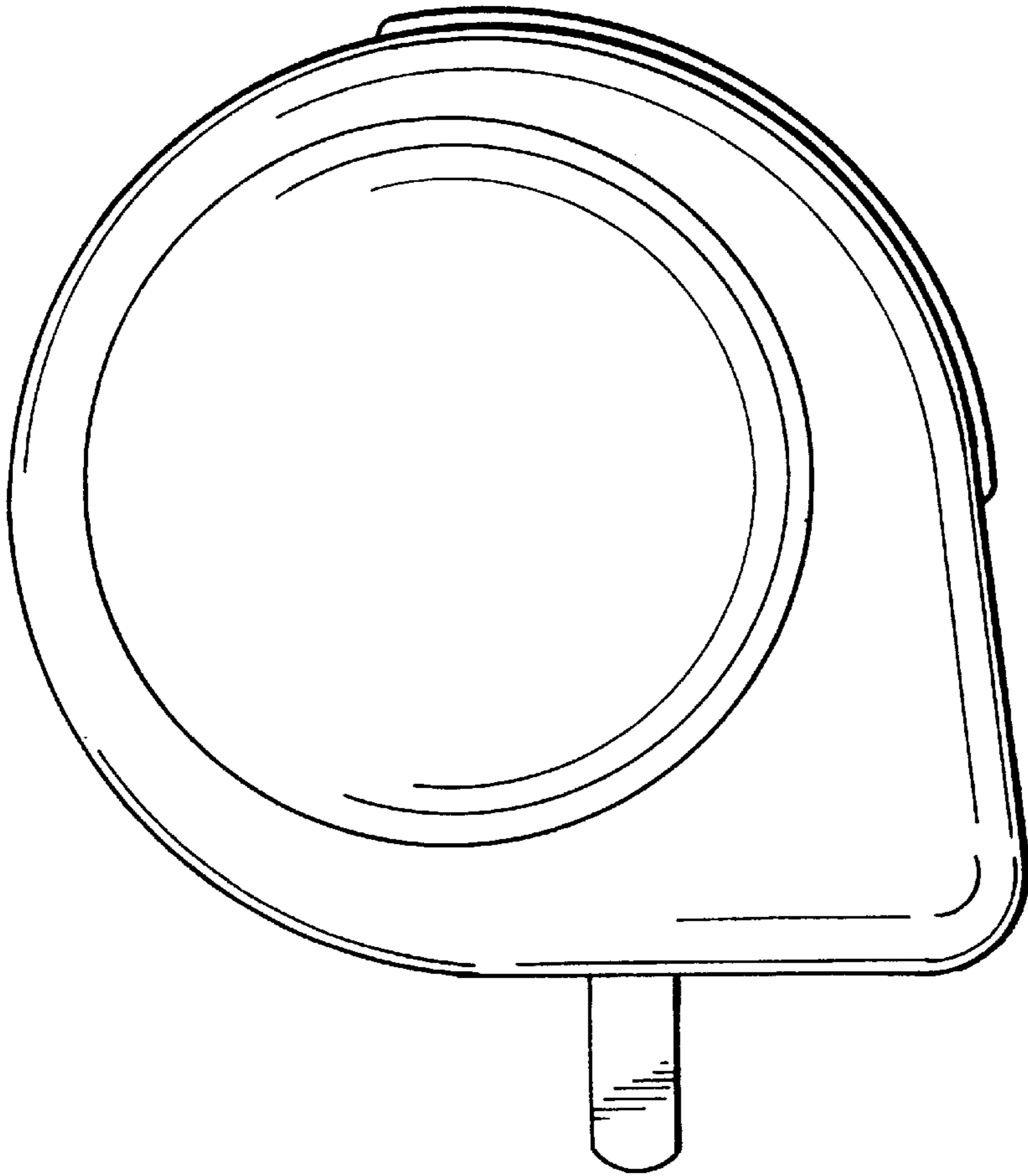


FIG. 2

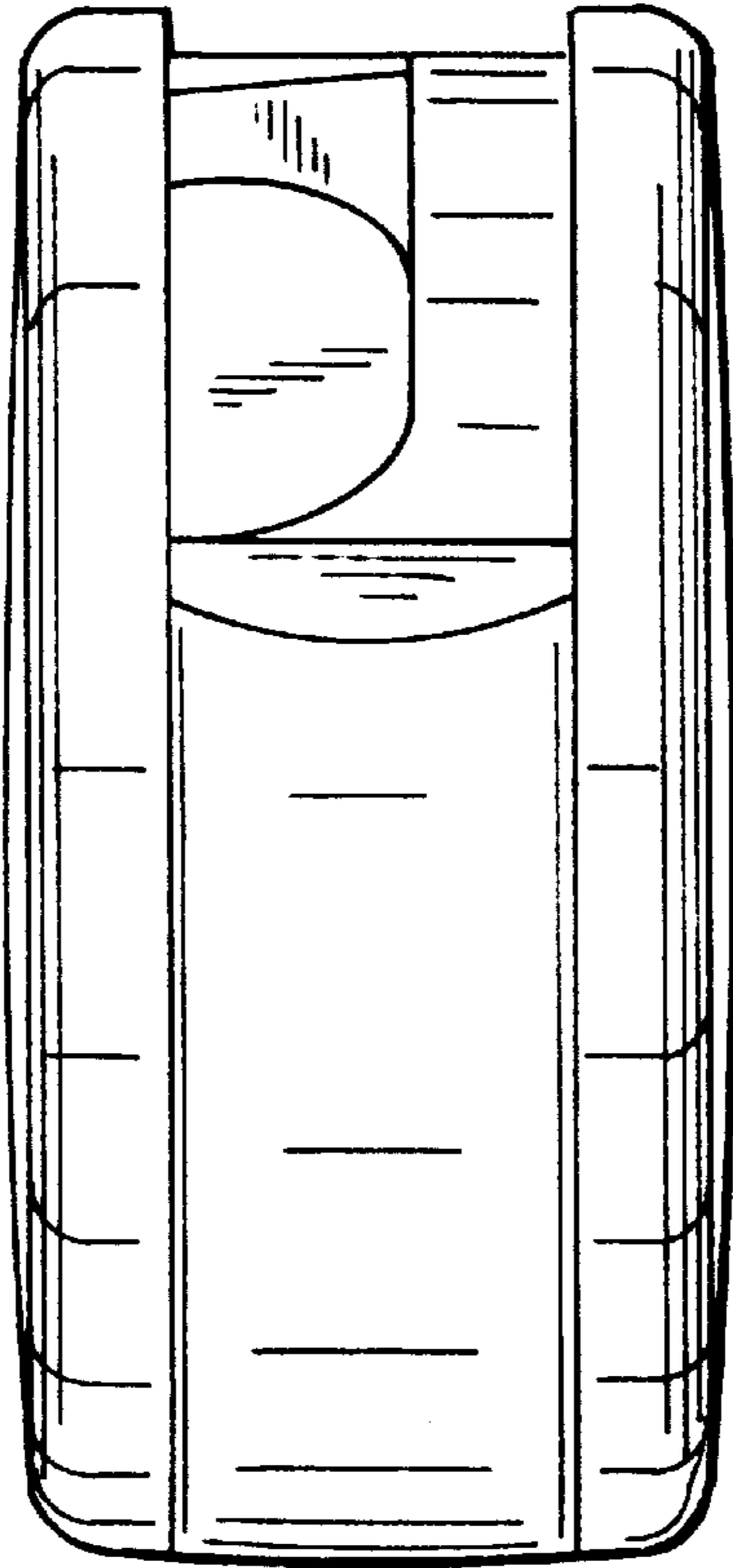


FIG. 3

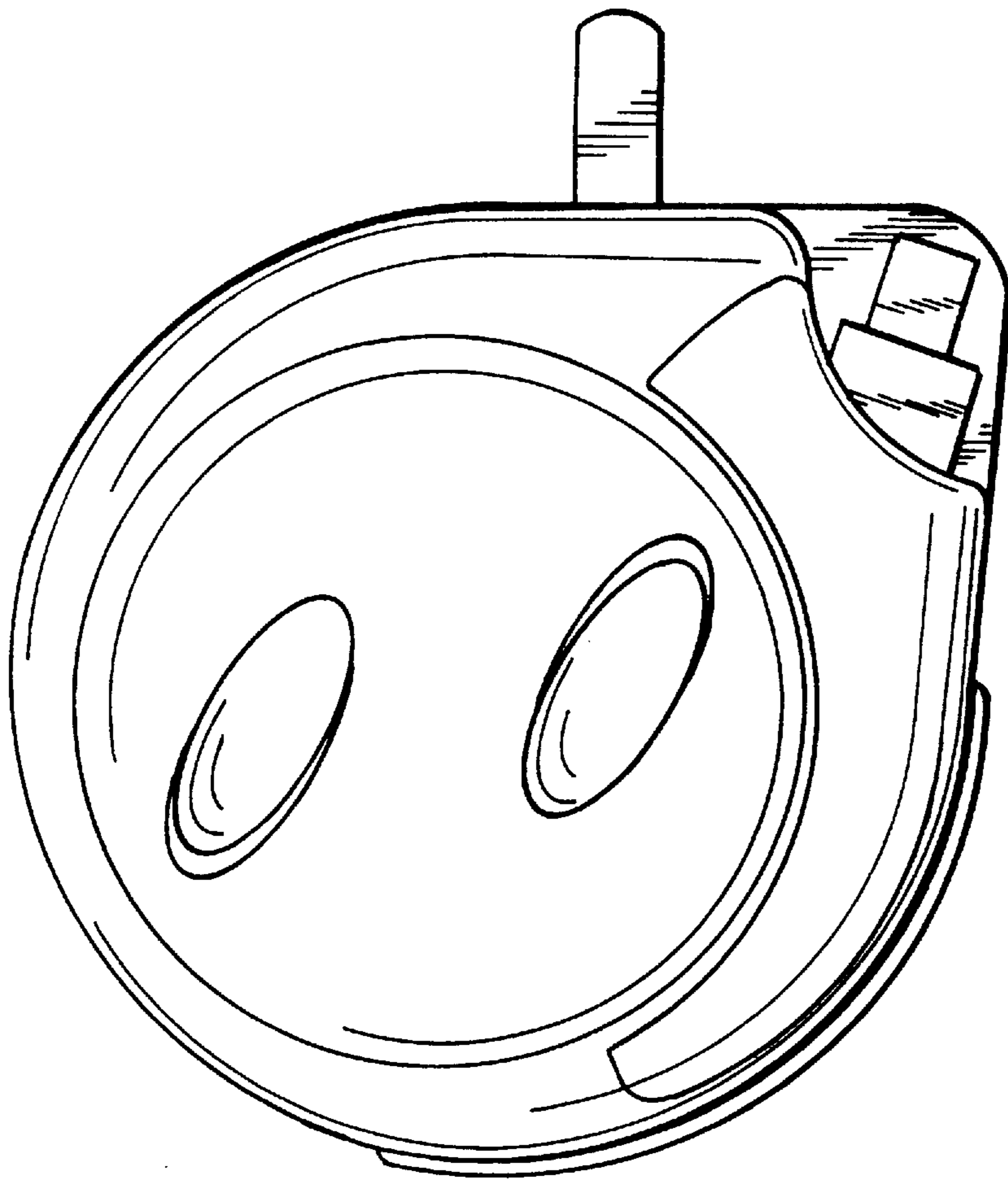


FIG. 4

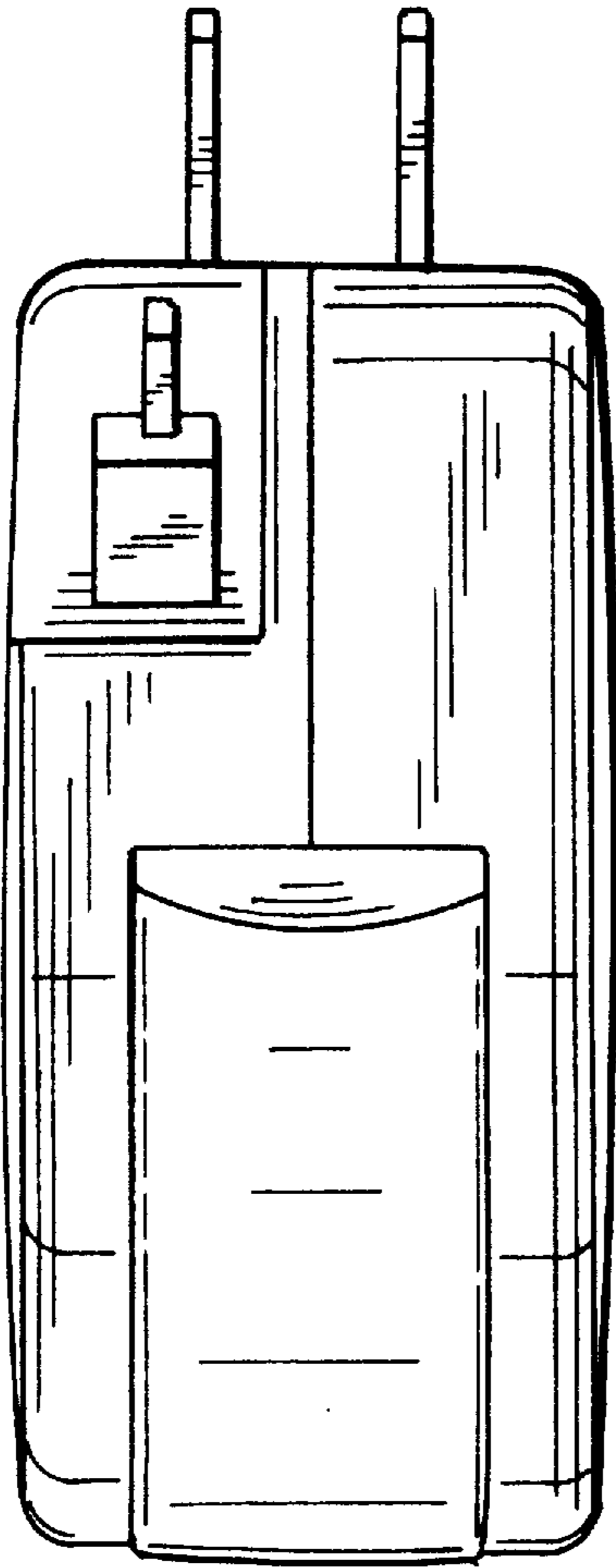


FIG. 5

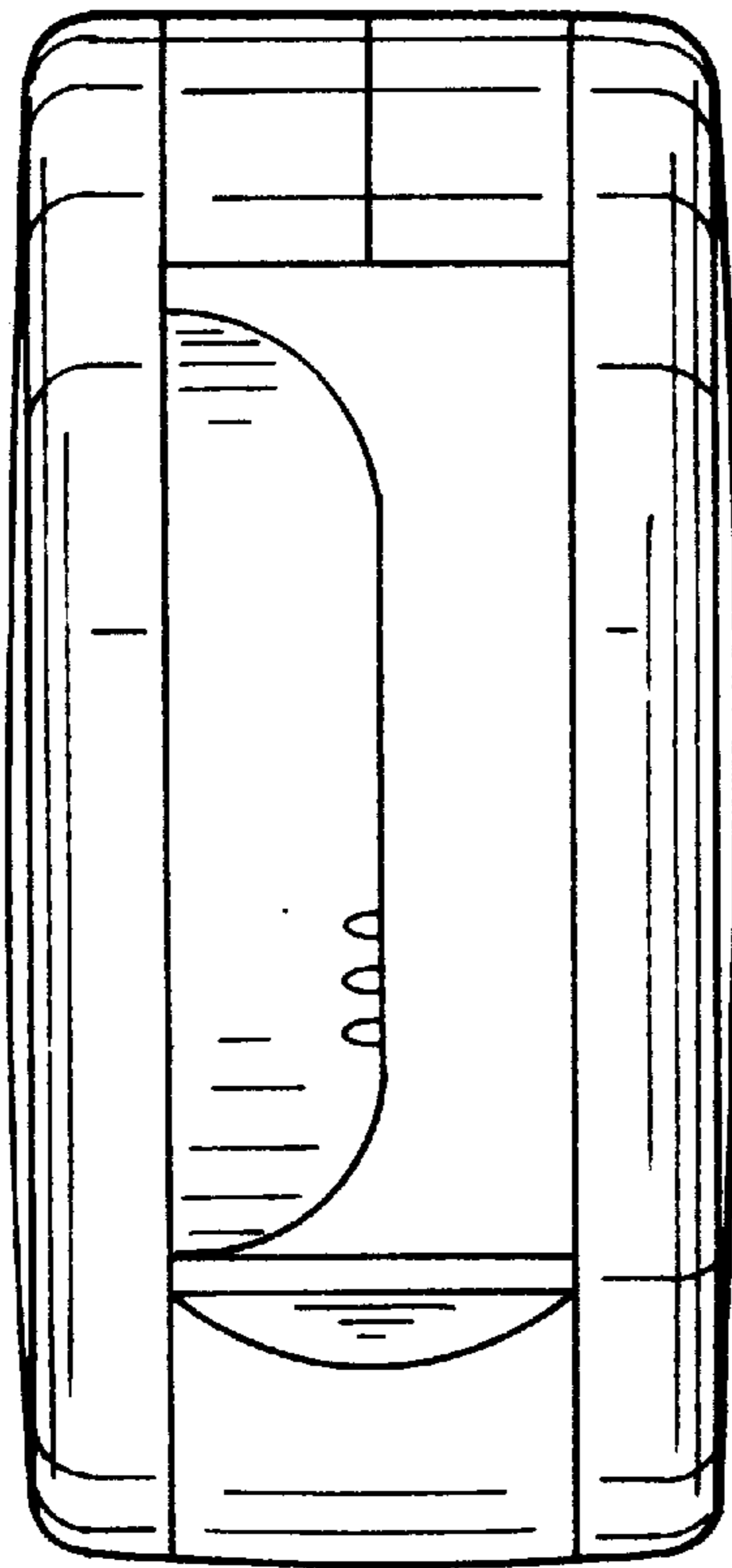


FIG. 6