



US00D406814S

United States Patent [19]
Henrici

[11] **Patent Number: Des. 406,814**

[45] **Date of Patent: **Mar. 16, 1999**

- [54] **FLUORESCENT LAMP SOCKET**
- [75] Inventor: **Dieter Henrici**, Arnsberg, Germany
- [73] Assignee: **Brokelmann, Jaeger & Busse, GmbH & Co.**, Arnsberg, Germany
- [**] Term: **14 Years**
- [21] Appl. No.: **71,982**
- [22] Filed: **Jun. 10, 1997**
- [51] **LOC (6) Cl.** **13-03**
- [52] **U.S. Cl.** **D13/134**
- [58] **Field of Search** D13/134; D26/75;
439/611, 612, 226; 313/51, 318.01, 318.05,
318.07, 318.09, 318.11

Primary Examiner—Joel Sincavage
Attorney, Agent, or Firm—Herbert Dubno

[57] **CLAIM**

The ornamental design for a fluorescent lamp socket, as shown and described.

DESCRIPTION

FIG. 1 is a front, top right side perspective view of a first

embodiment of a fluorescent lamp socket showing my new design;

FIG. 2 is a front elevational view thereof;

FIG. 3 is a top view thereof;

FIG. 4 is a rear view thereof;

FIG. 5 is a bottom view thereof;

FIG. 6 is a left side elevational view thereof; and

FIG. 7 is a right side elevational view thereof;

FIG. 8 is a front, top right side perspective view of a second embodiment of a fluorescent lamp socket showing my new design;

FIG. 9 is a front elevation view thereof;

FIG. 10 is a top view thereof;

FIG. 11 is a rear view thereof;

FIG. 12 is a bottom view thereof;

FIG. 13 is a left side elevational view thereof; and,

FIG. 14 is a right side elevational view thereof.

1 Claim, 8 Drawing Sheets

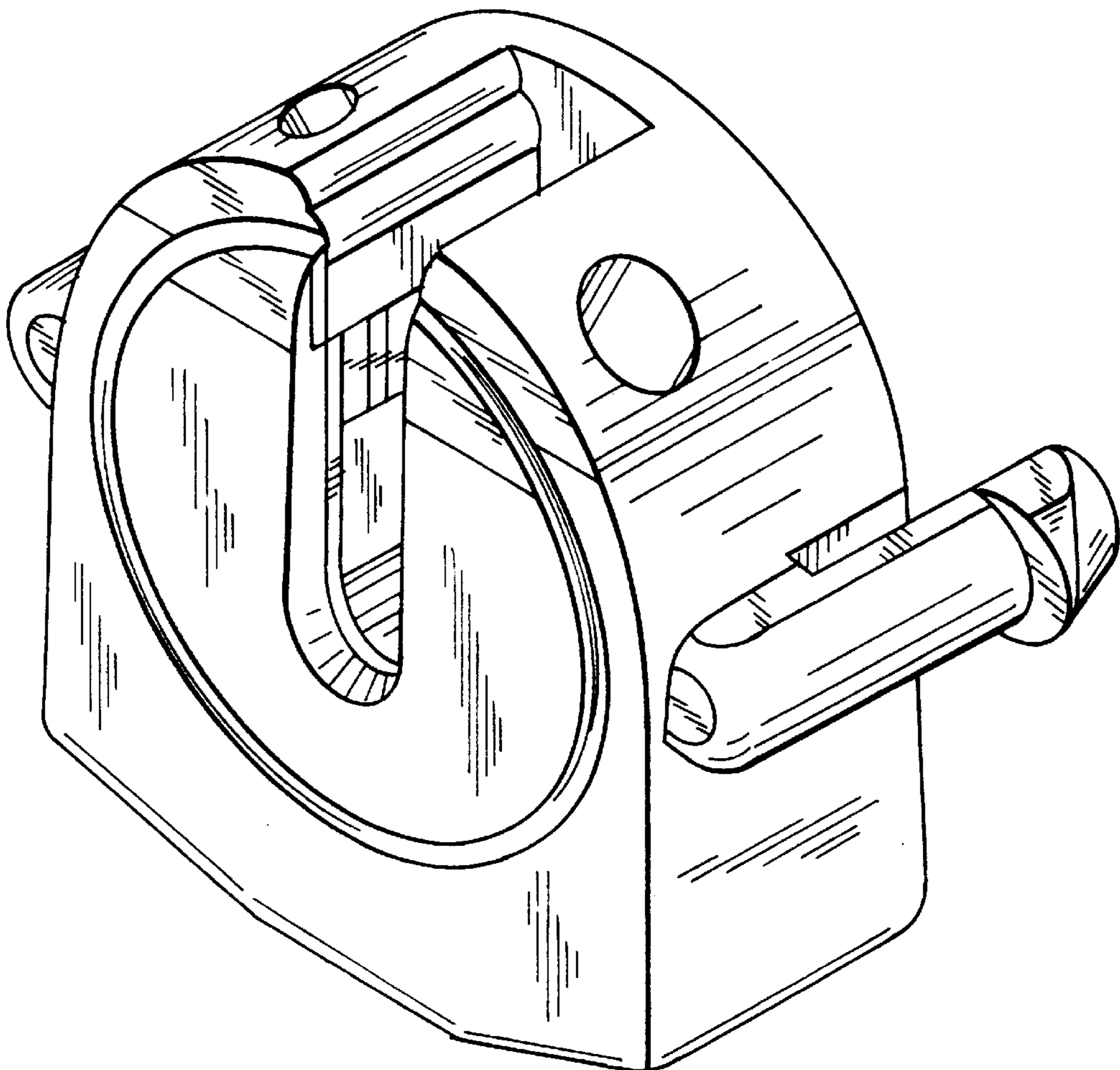


FIG. 1

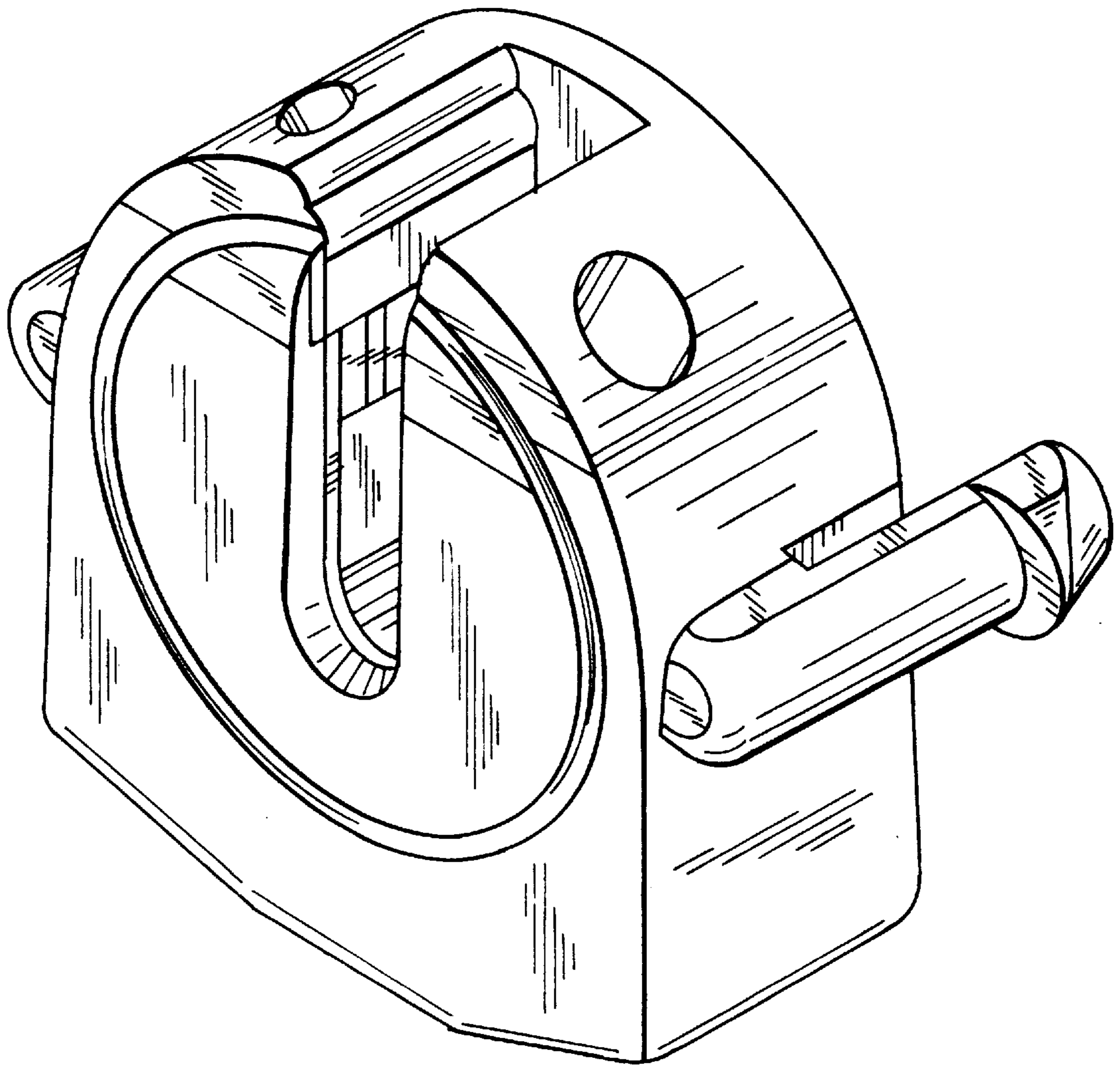


FIG. 2

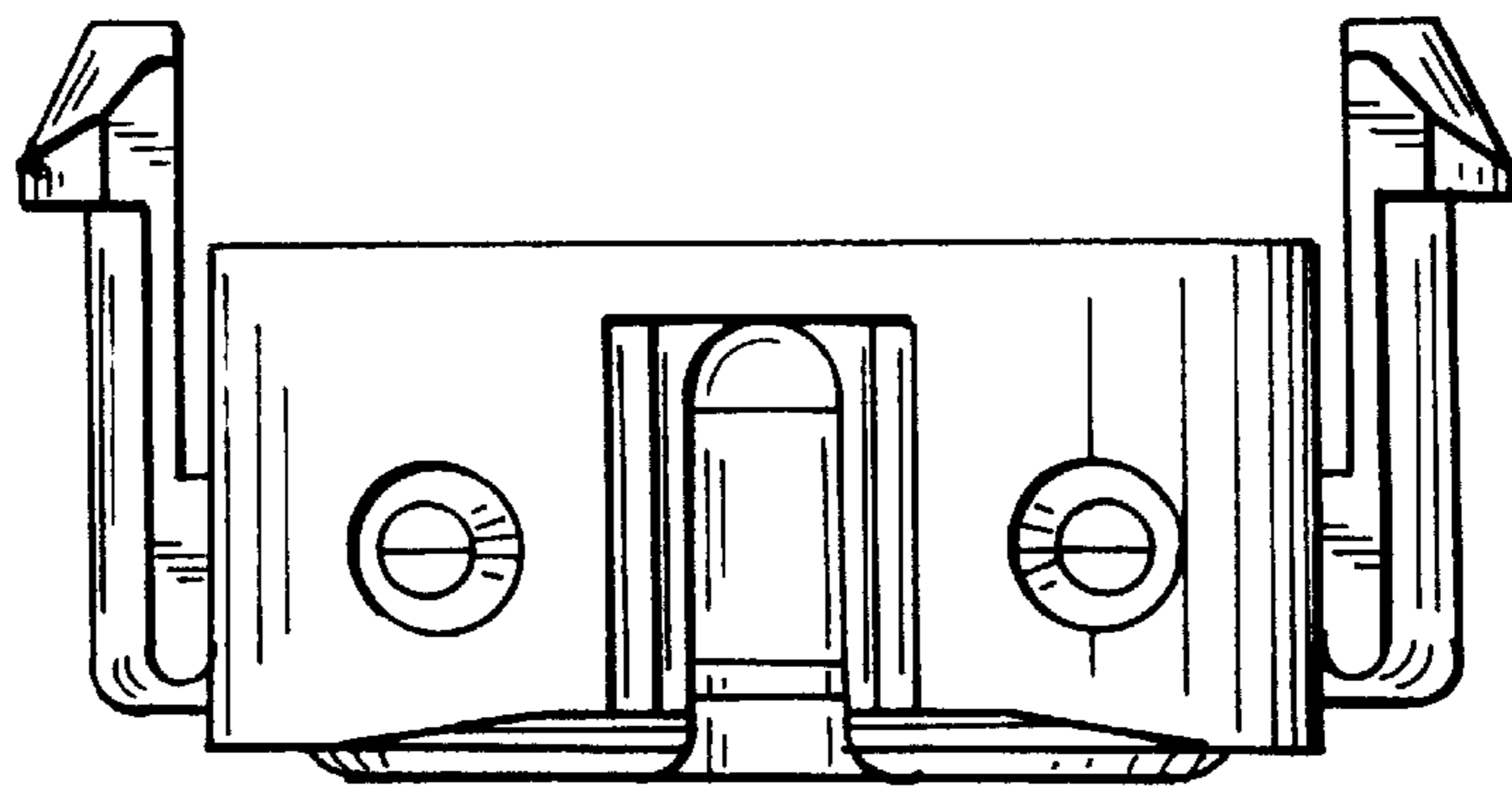
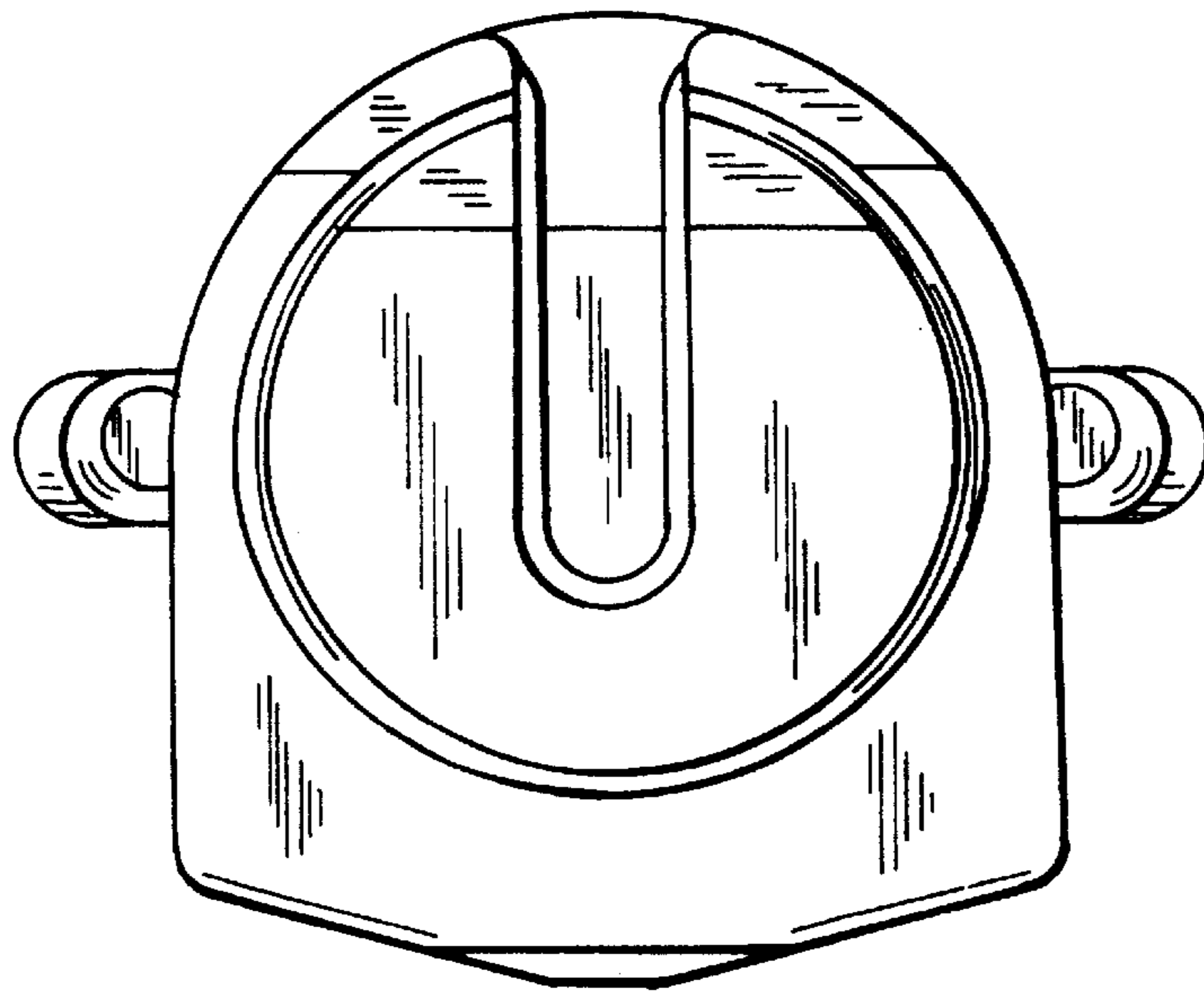


FIG. 3

FIG. 4

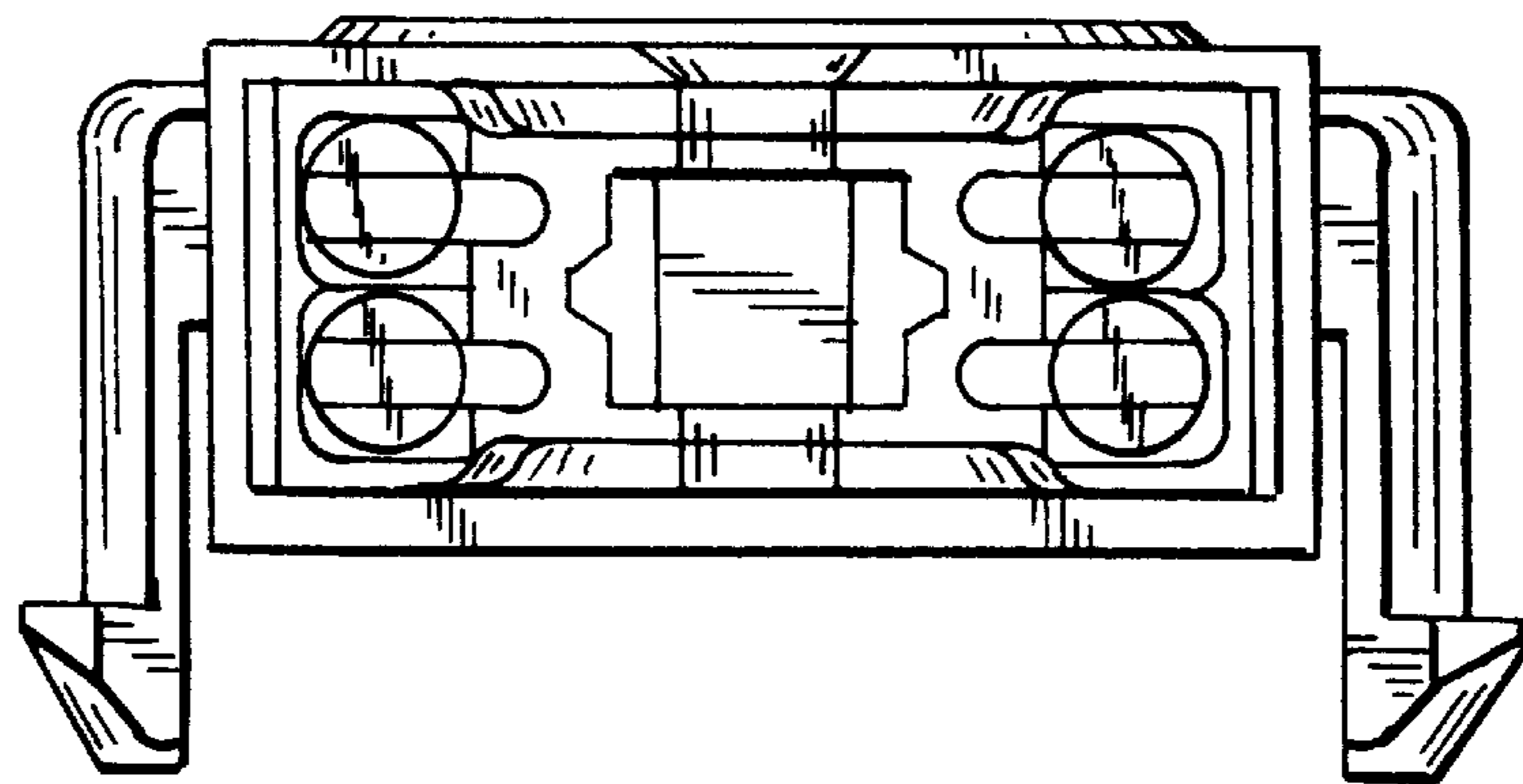
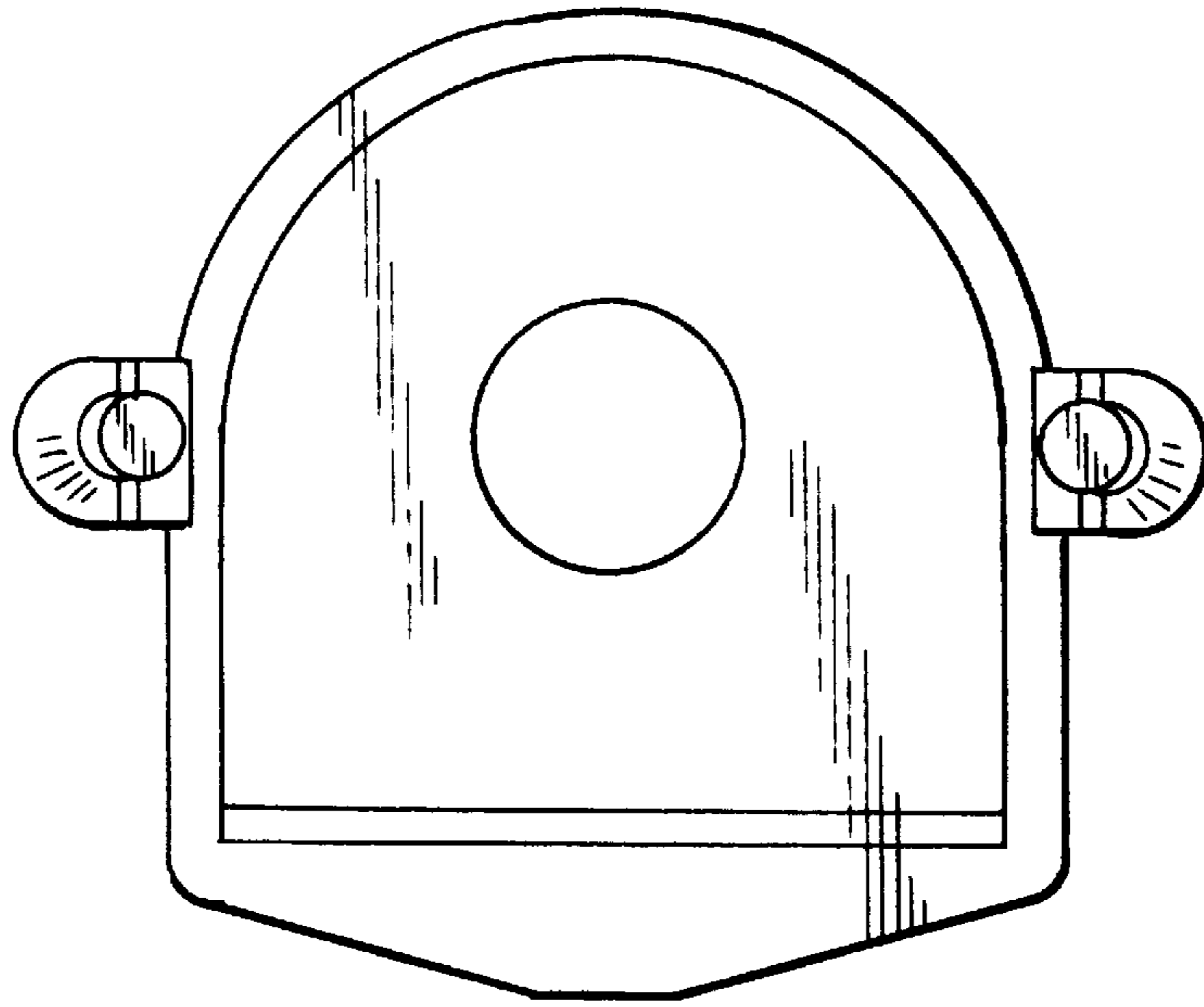


FIG. 5

FIG. 6

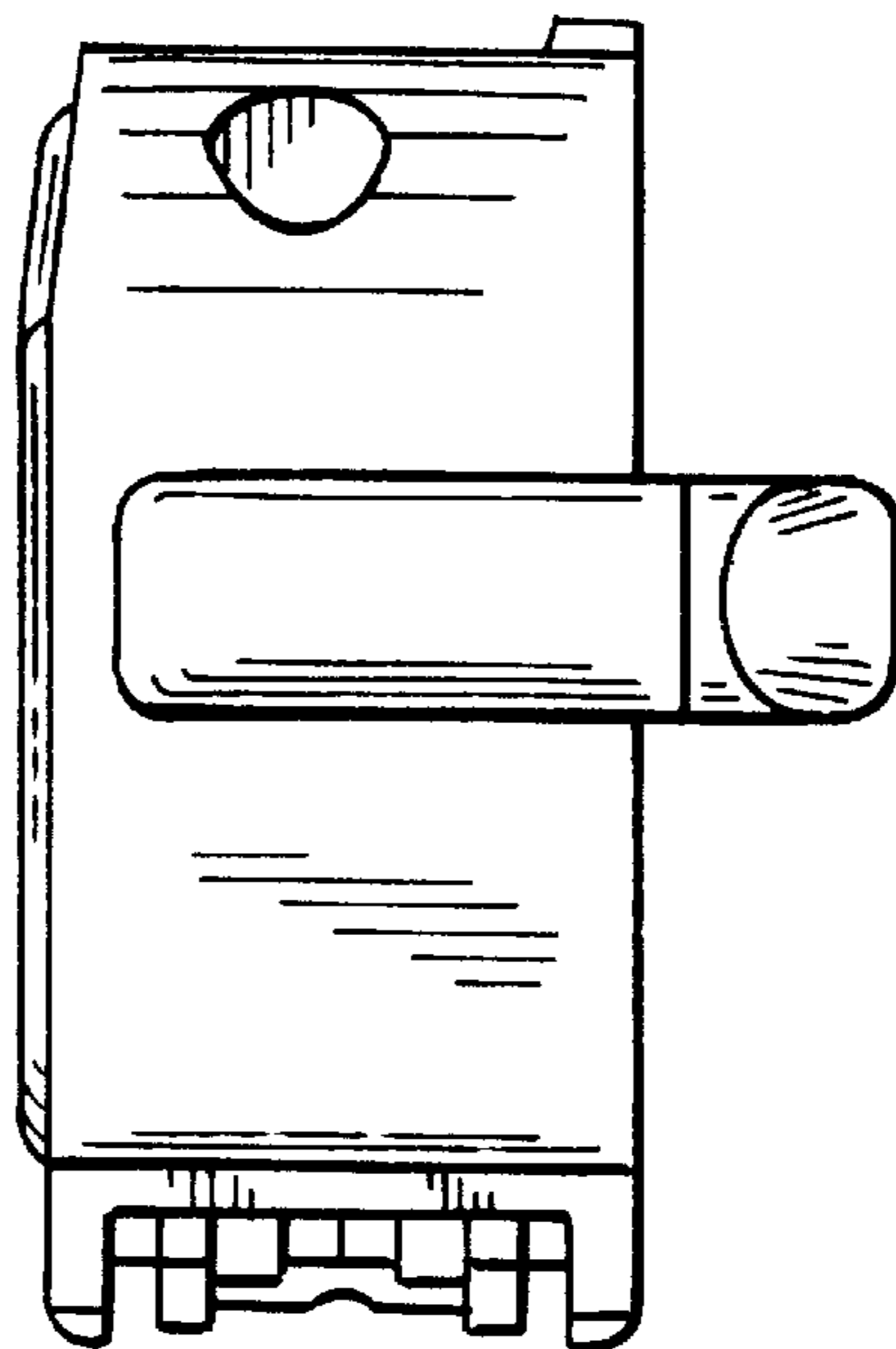
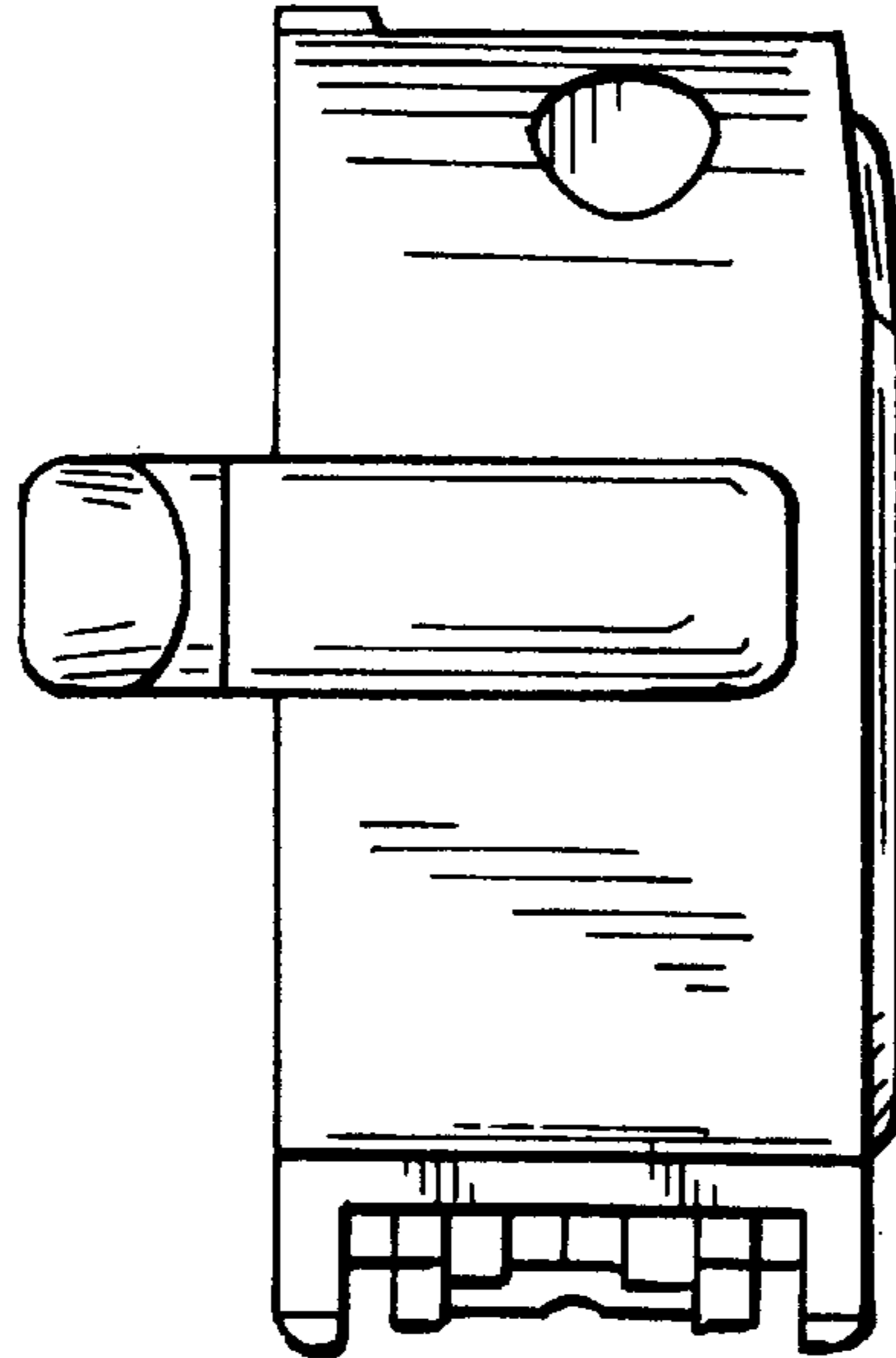


FIG. 7

FIG. 8

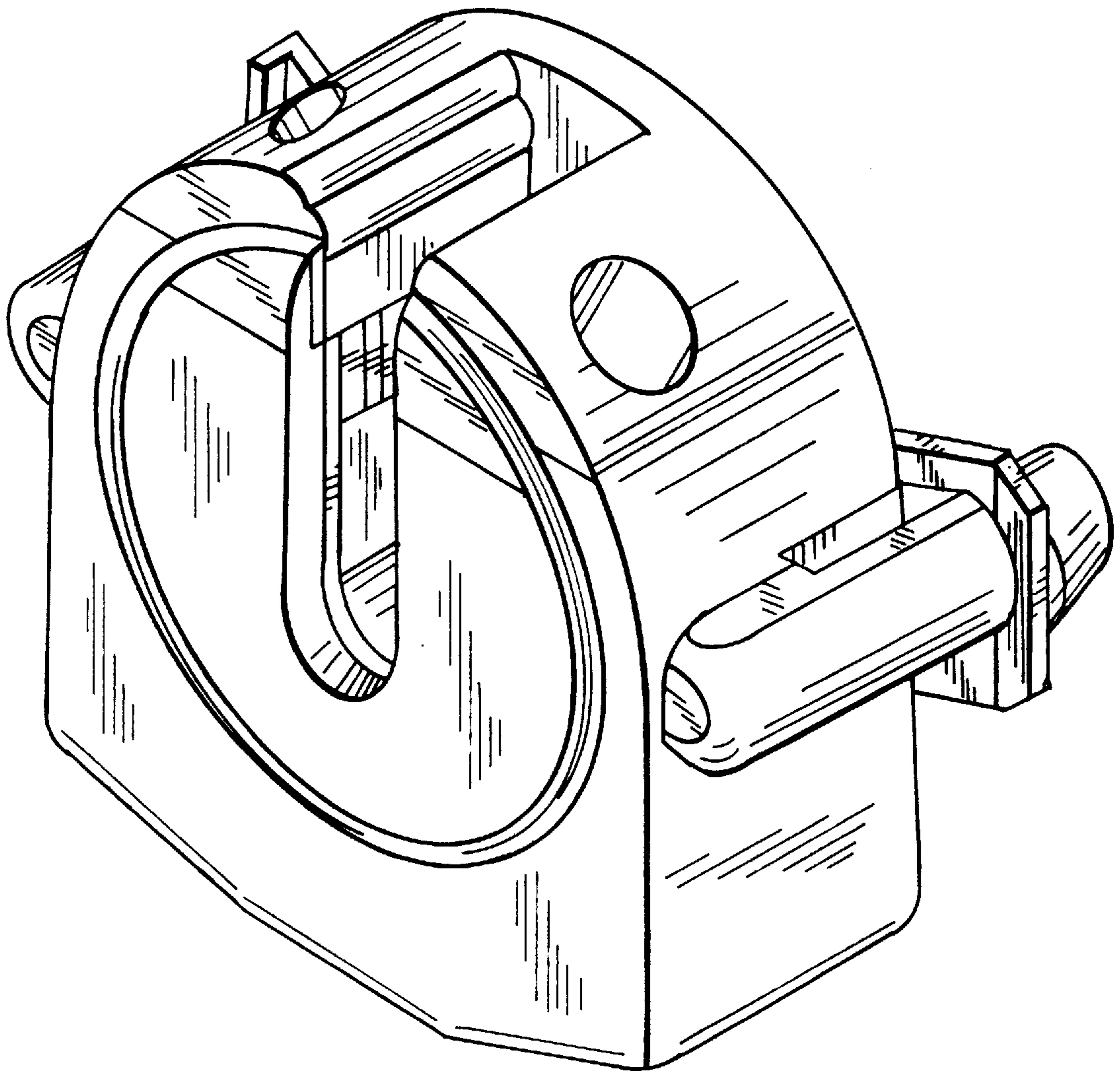


FIG. 9

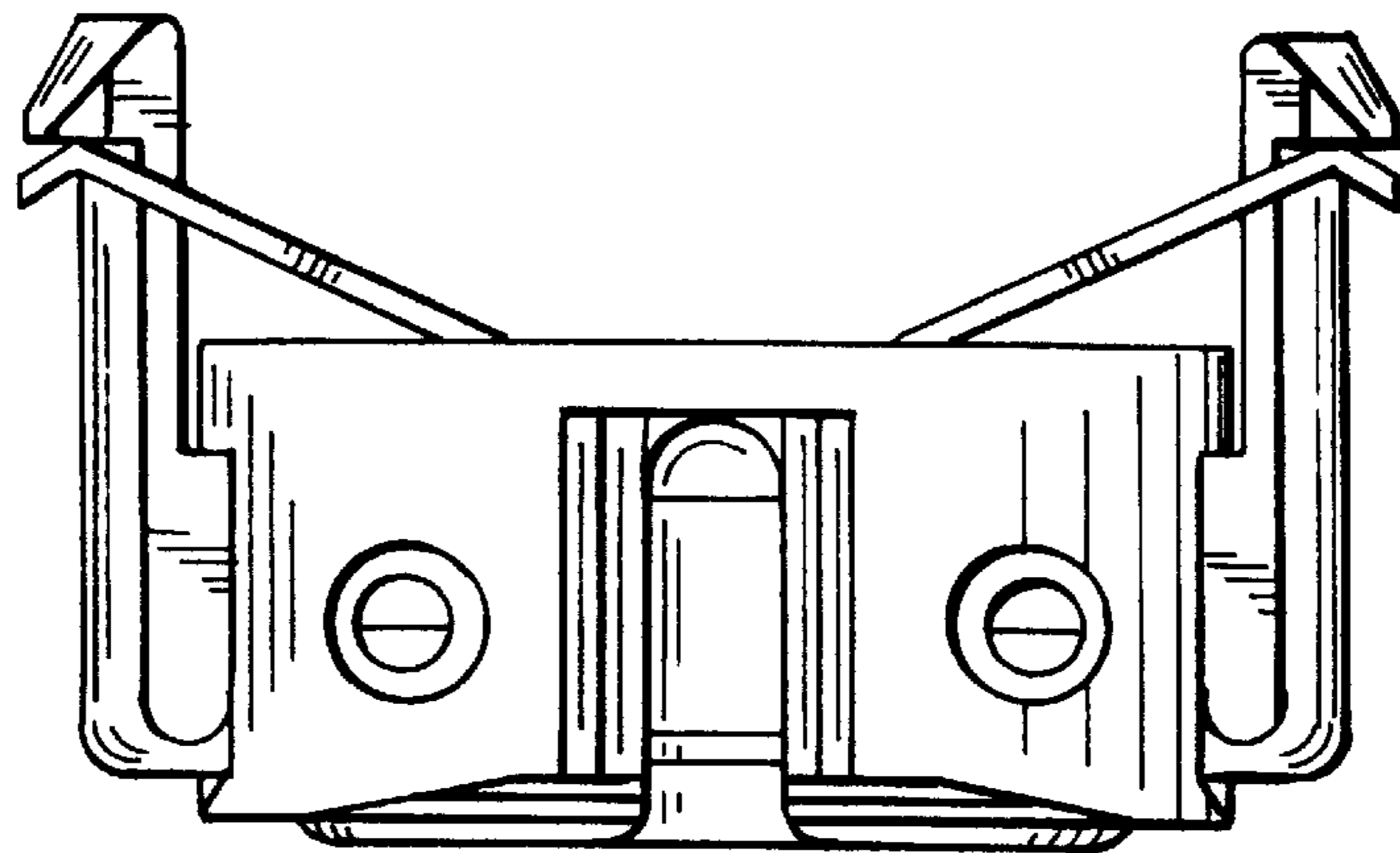
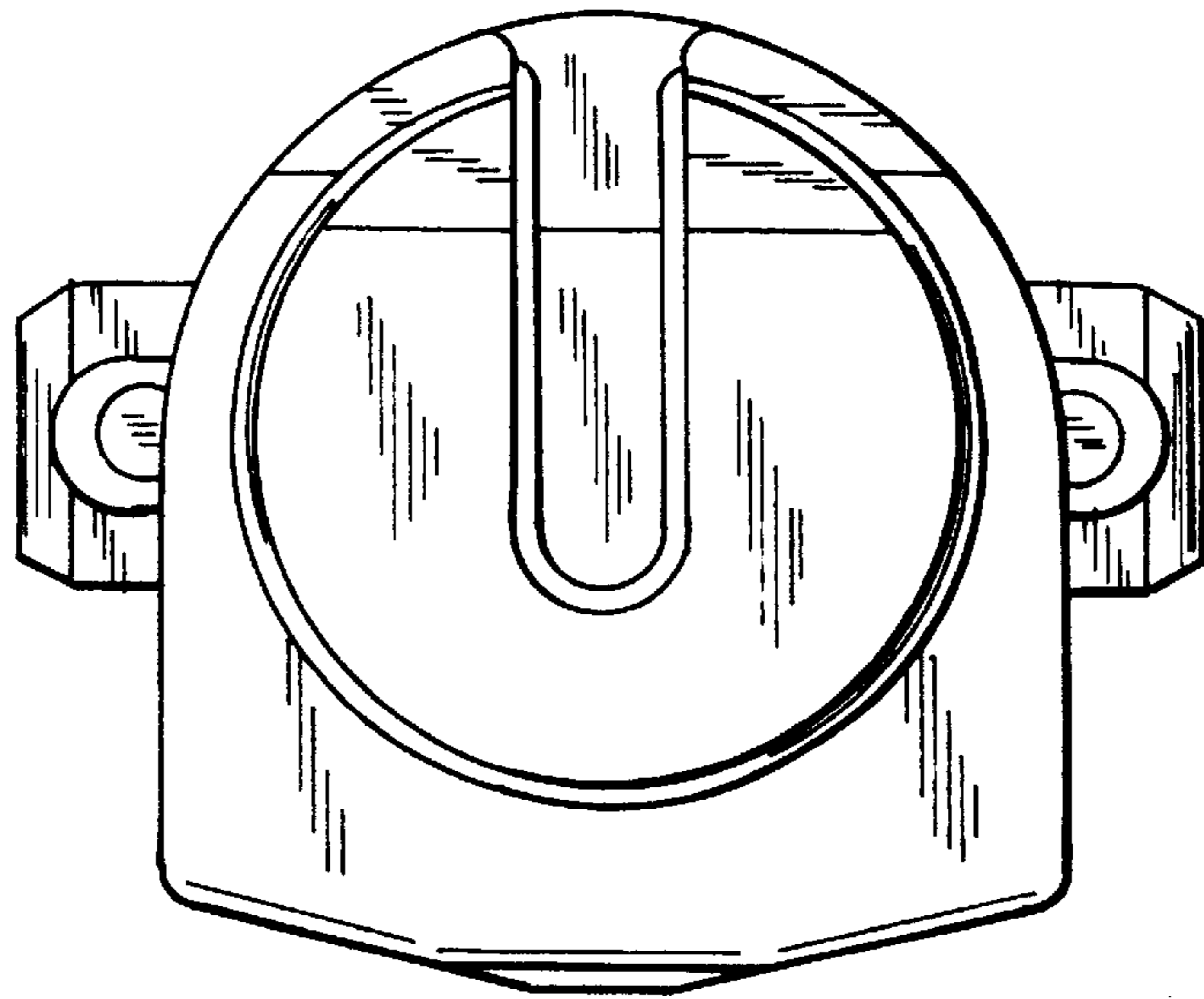


FIG. 10

FIG. 11

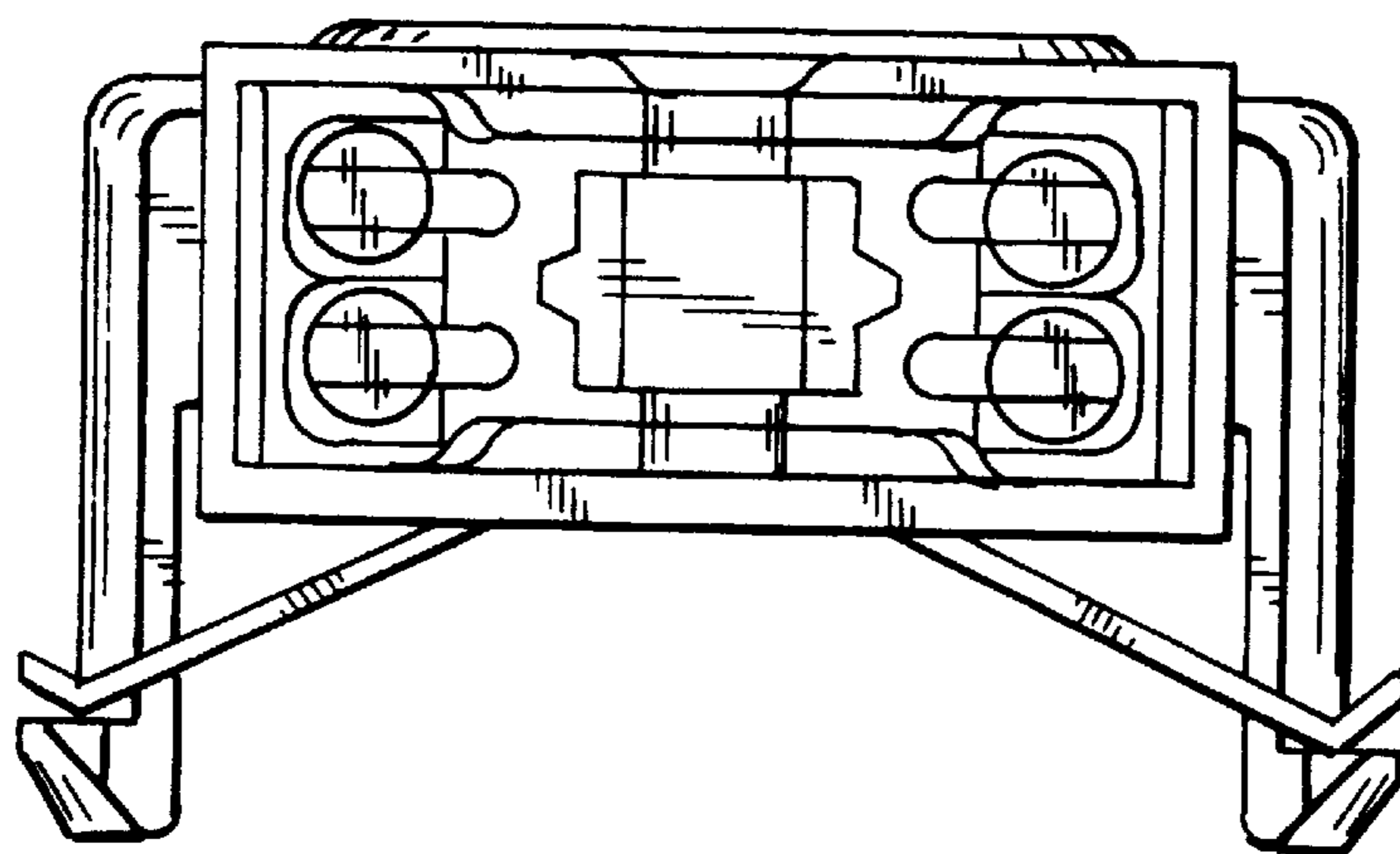
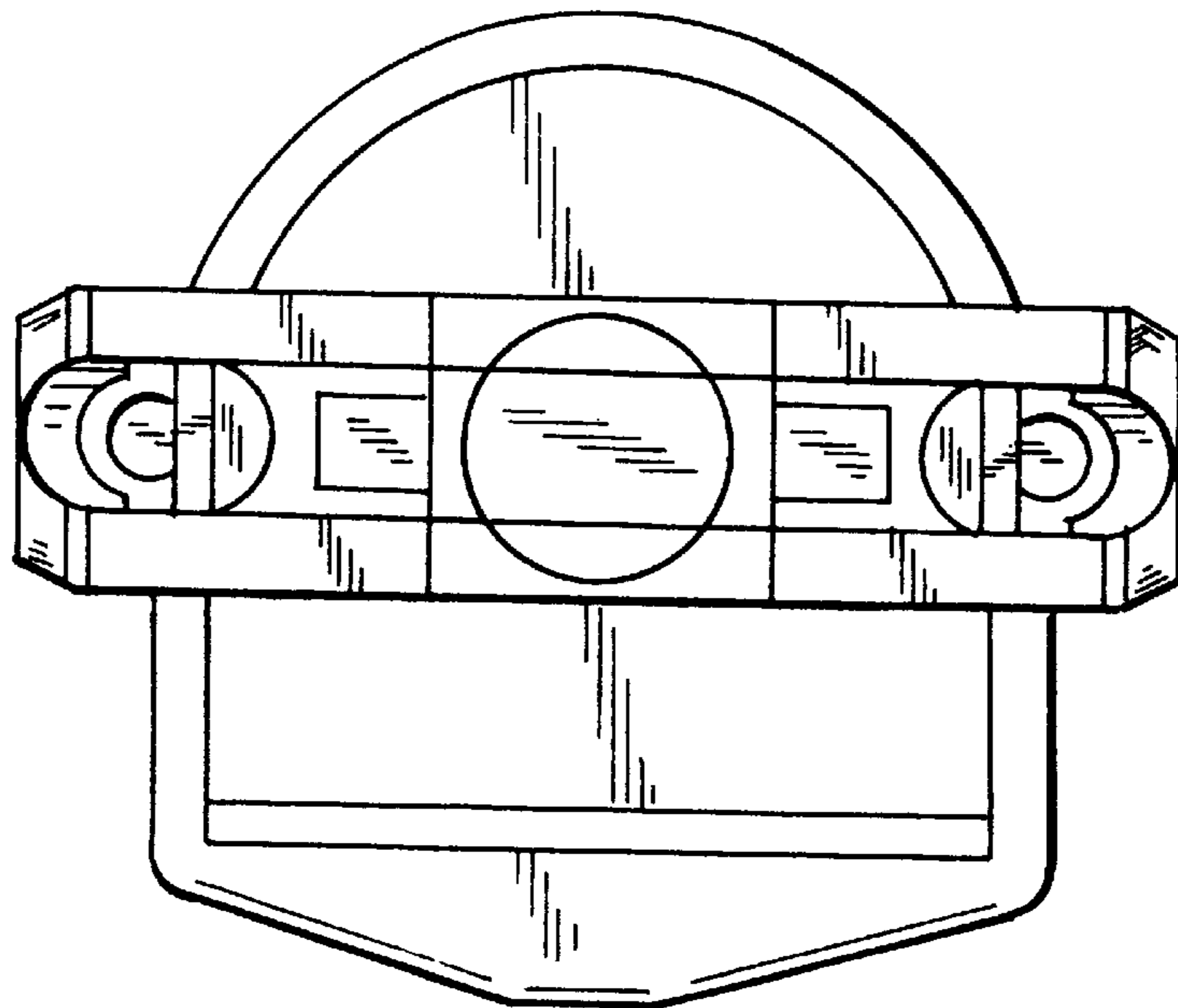


FIG. 12

FIG. 13

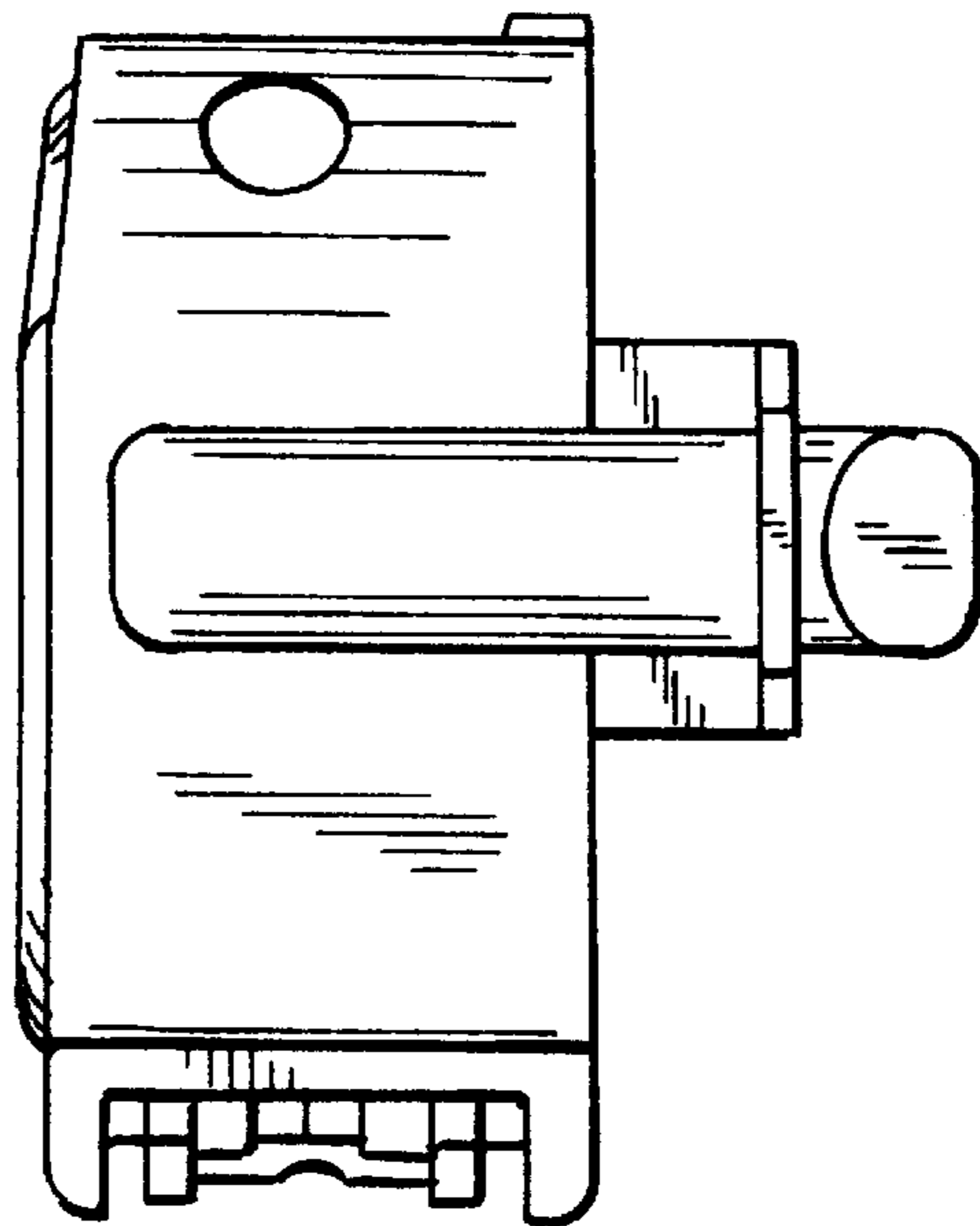
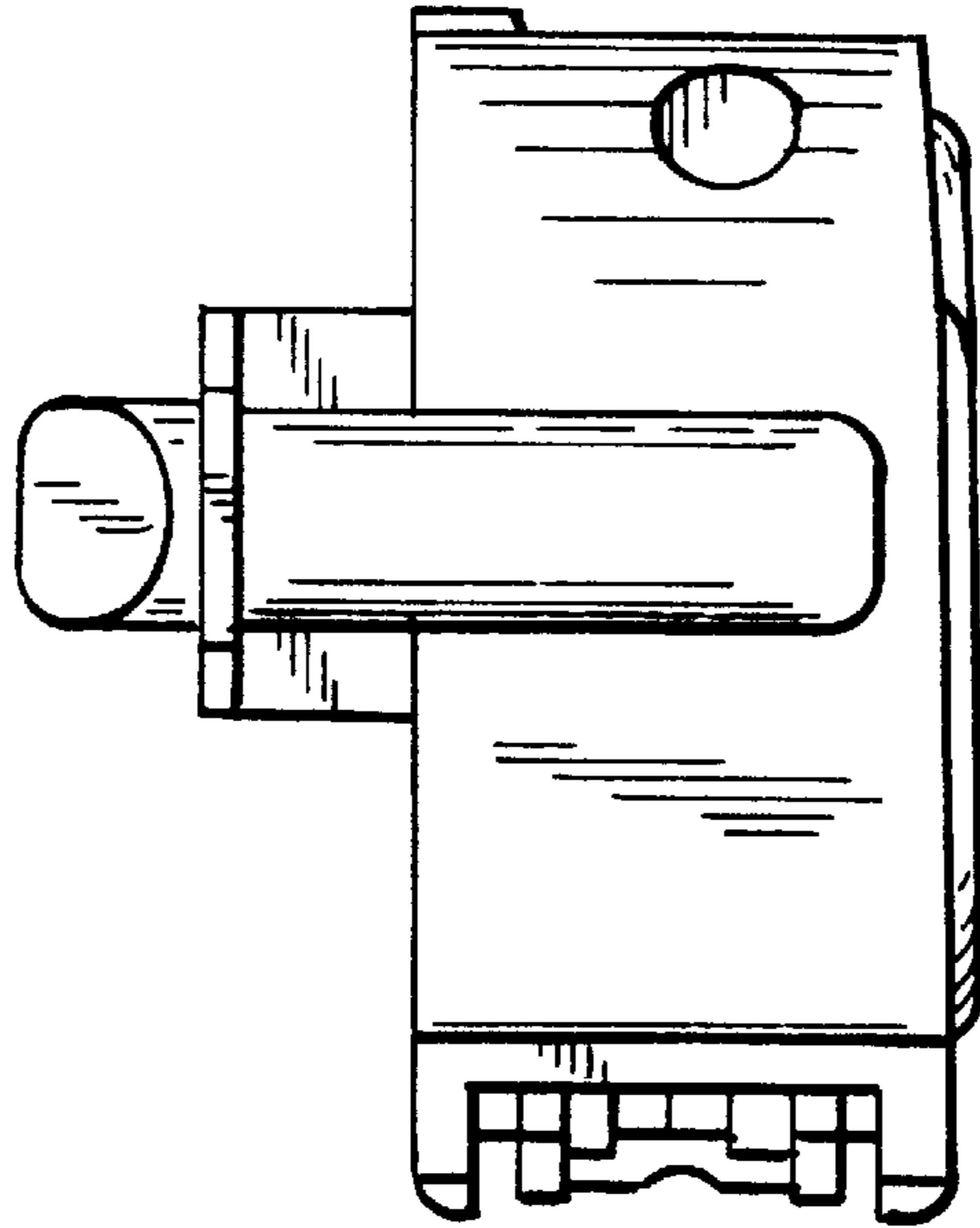


FIG. 14