



US00D406813S

United States Patent [19]

Coll et al.

[11] **Patent Number: Des. 406,813**

[45] **Date of Patent: **Mar. 16, 1999**

[54] **ELECTRICAL GROUND CONNECTOR FOR METER PANEL**

[75] Inventors: **Gene Coll**, Cranford; **James Kornecki**, Colonia, both of N.J.

[73] Assignee: **Thomas & Betts International, Inc.**, Sparks, Nev.

[**] Term: **14 Years**

[21] Appl. No.: **69,304**

[22] Filed: **Apr. 24, 1997**

[51] **LOC (6) Cl. 13-03**

[52] **U.S. Cl. D13/133**

[58] **Field of Search D13/133; D8/354; 439/92, 95; 174/51**

[56] **References Cited**

U.S. PATENT DOCUMENTS

D. 357,623	4/1995	Davis	D8/354
D. 362,383	9/1995	Boelling	D8/354
D. 364,331	11/1995	Leek	D8/354
D. 367,259	2/1996	Sachs	D13/133
5,006,074	4/1991	Franks, Jr.	439/92

5,033,971	7/1991	Franks, Jr.	439/92
5,165,730	11/1992	Mc Elroy	285/39
5,404,662	4/1995	Sato	24/67 CF
5,584,729	12/1996	Luu	439/652

Primary Examiner—Joel Sincavage
Attorney, Agent, or Firm—Foley & Lardner

[57] **CLAIM**

The ornamental design for an “electrical ground connector for meter panel”, as shown and described.

DESCRIPTION

FIG. 1 is a right side, top and front perspective view of an electrical ground connector for meter panel, showing our new design;

FIG. 2 is a top plan view thereof;

FIG. 3 is a front elevational view thereof;

FIG. 4 is a right side elevational view thereof;

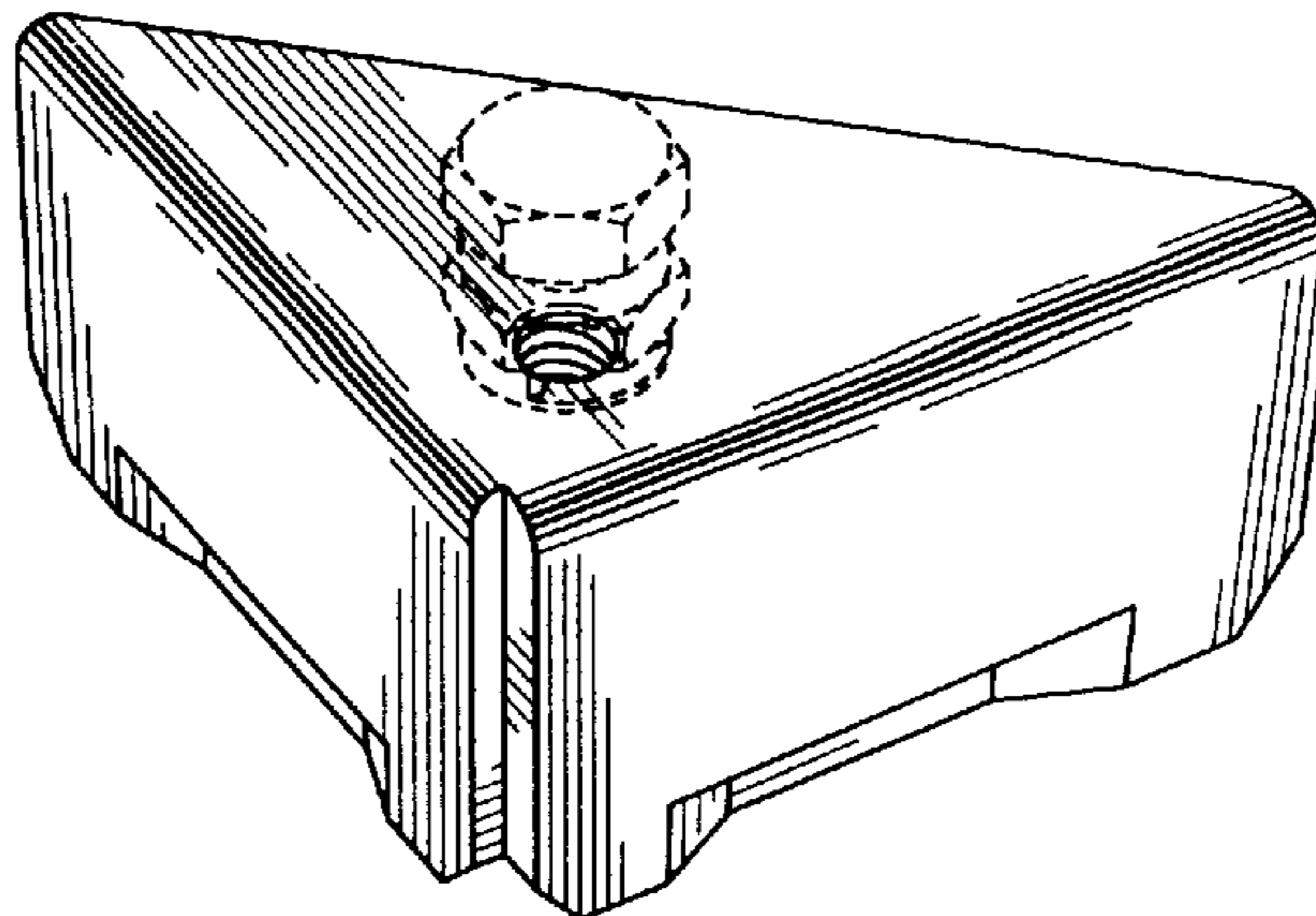
FIG. 5 is a left side elevational view thereof;

FIG. 6 is a rear elevational view thereof; and,

FIG. 7 is a bottom plan view thereof.

The broken line showing in FIGS. 1—6 is included for the purposes of illustrating environmental structure only and forms no part of the claimed design.

1 Claim, 1 Drawing Sheet



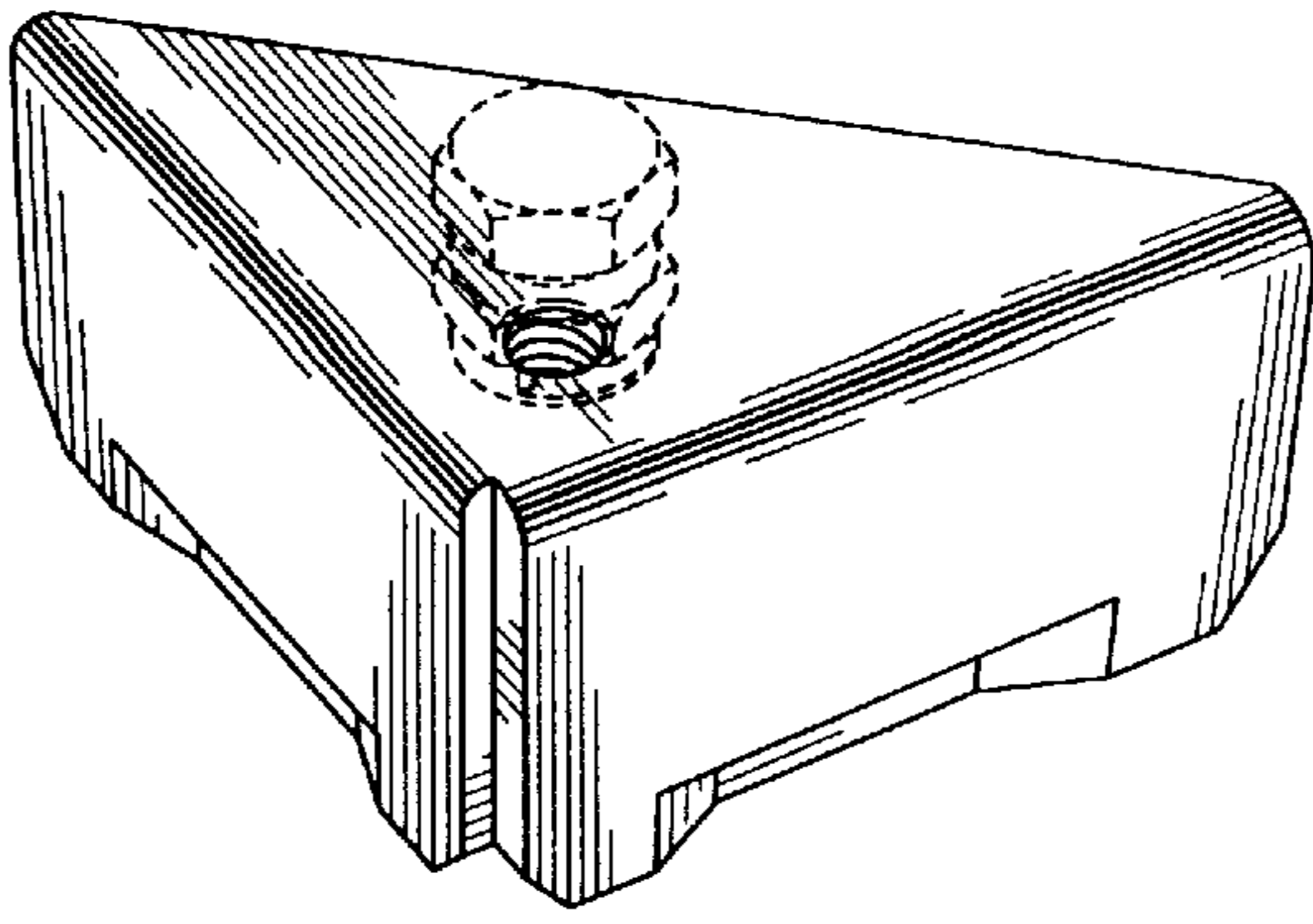


FIG. 1

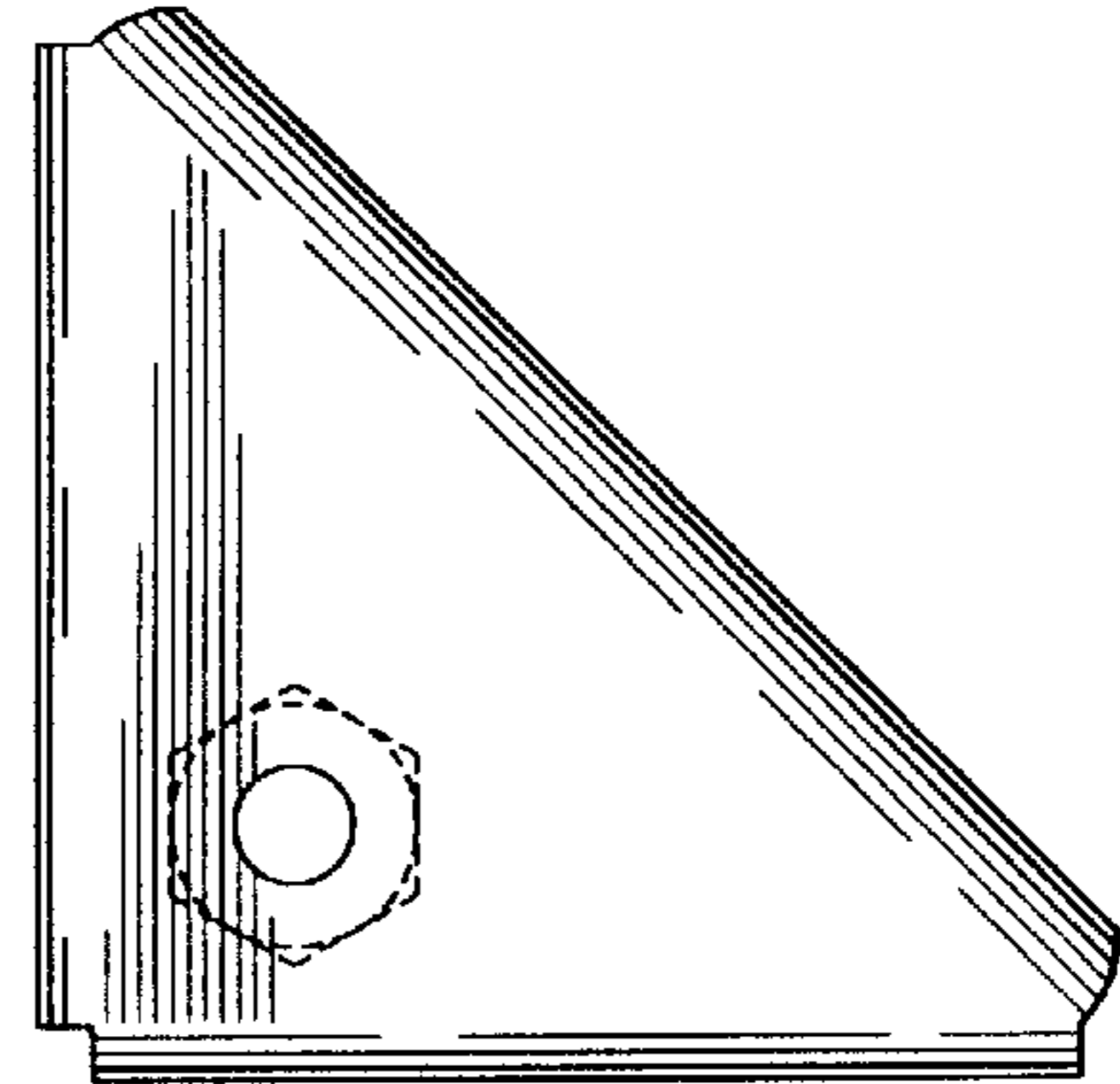


FIG. 2

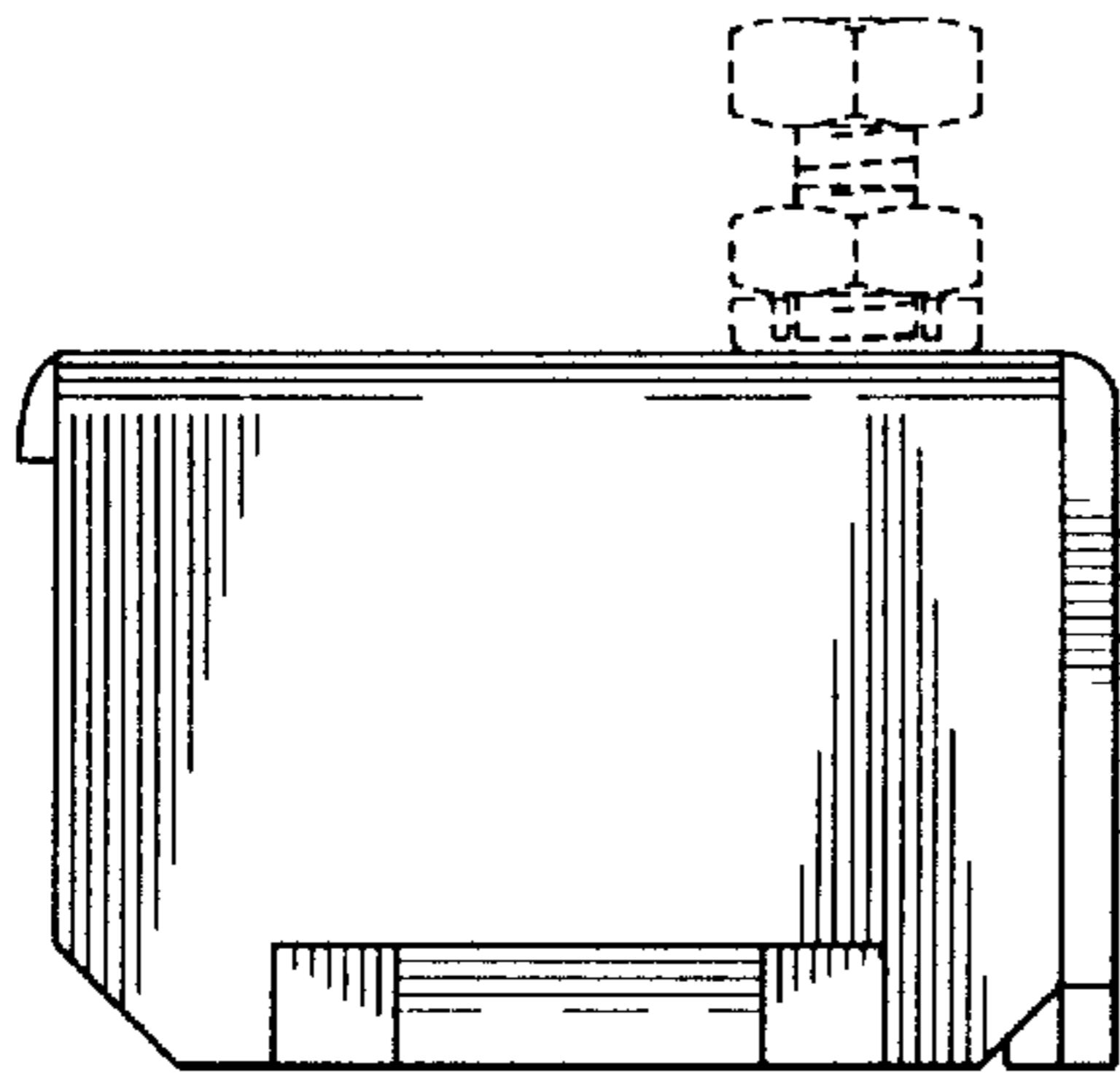


FIG. 3

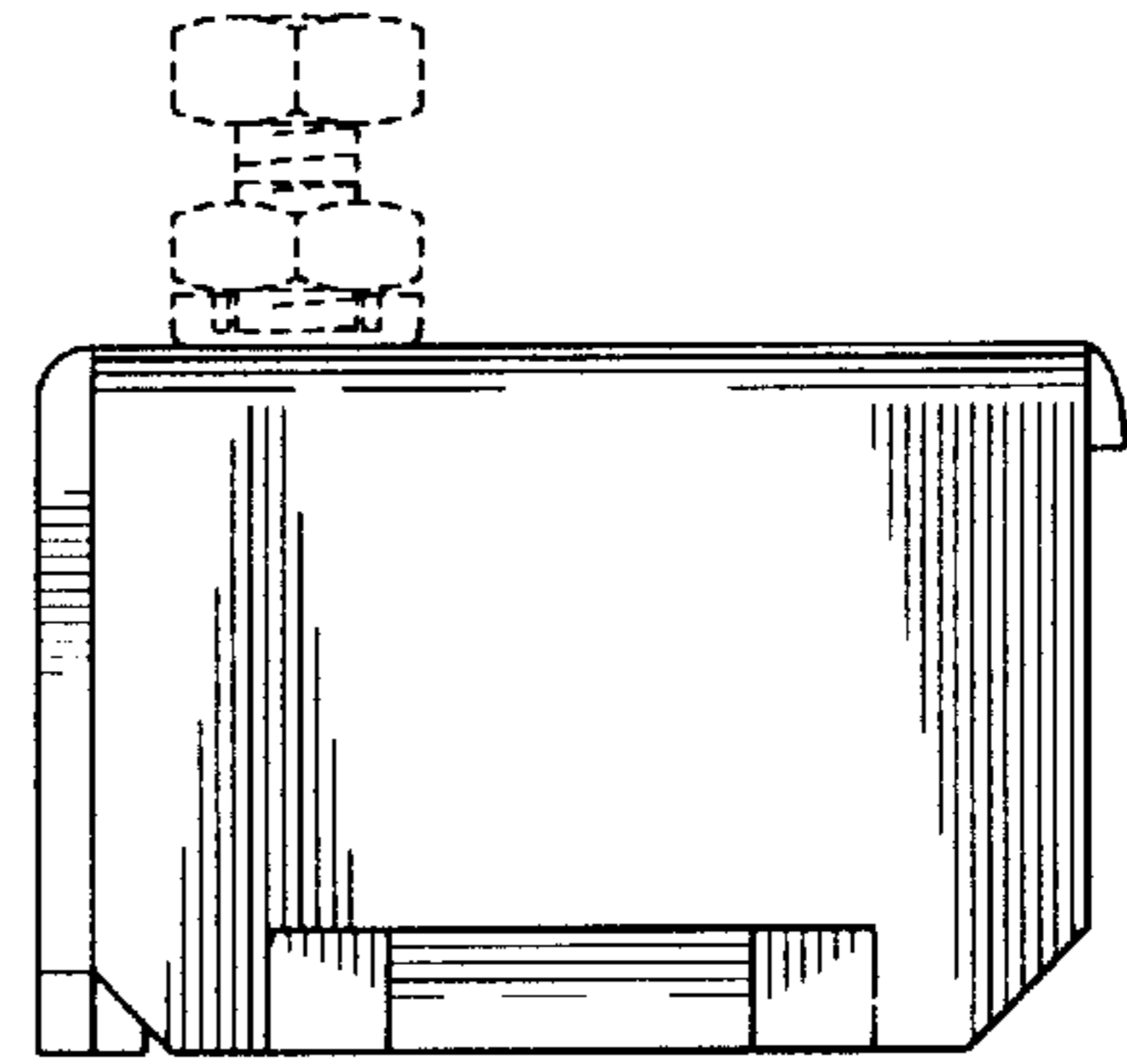


FIG. 4

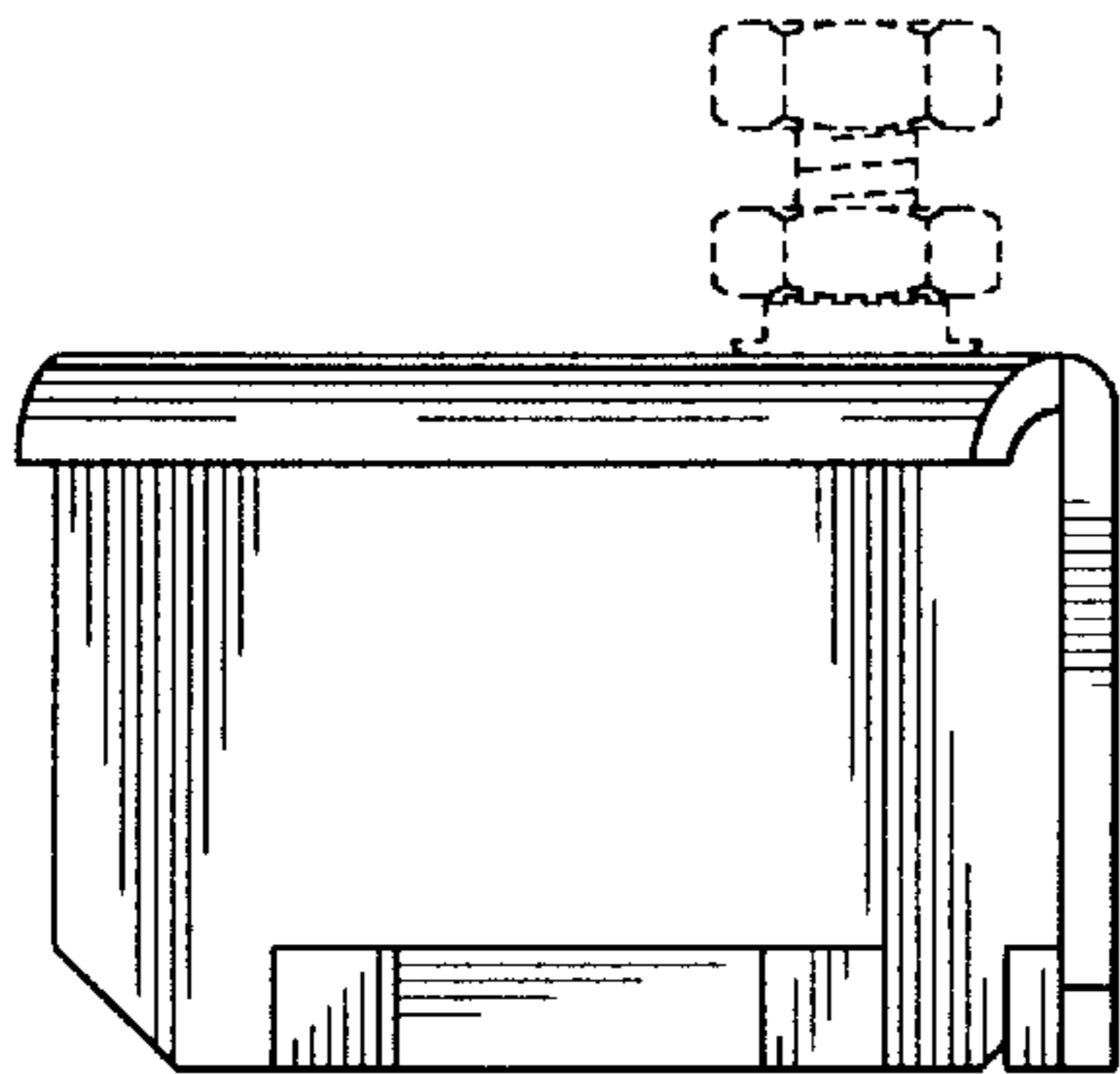


FIG. 5

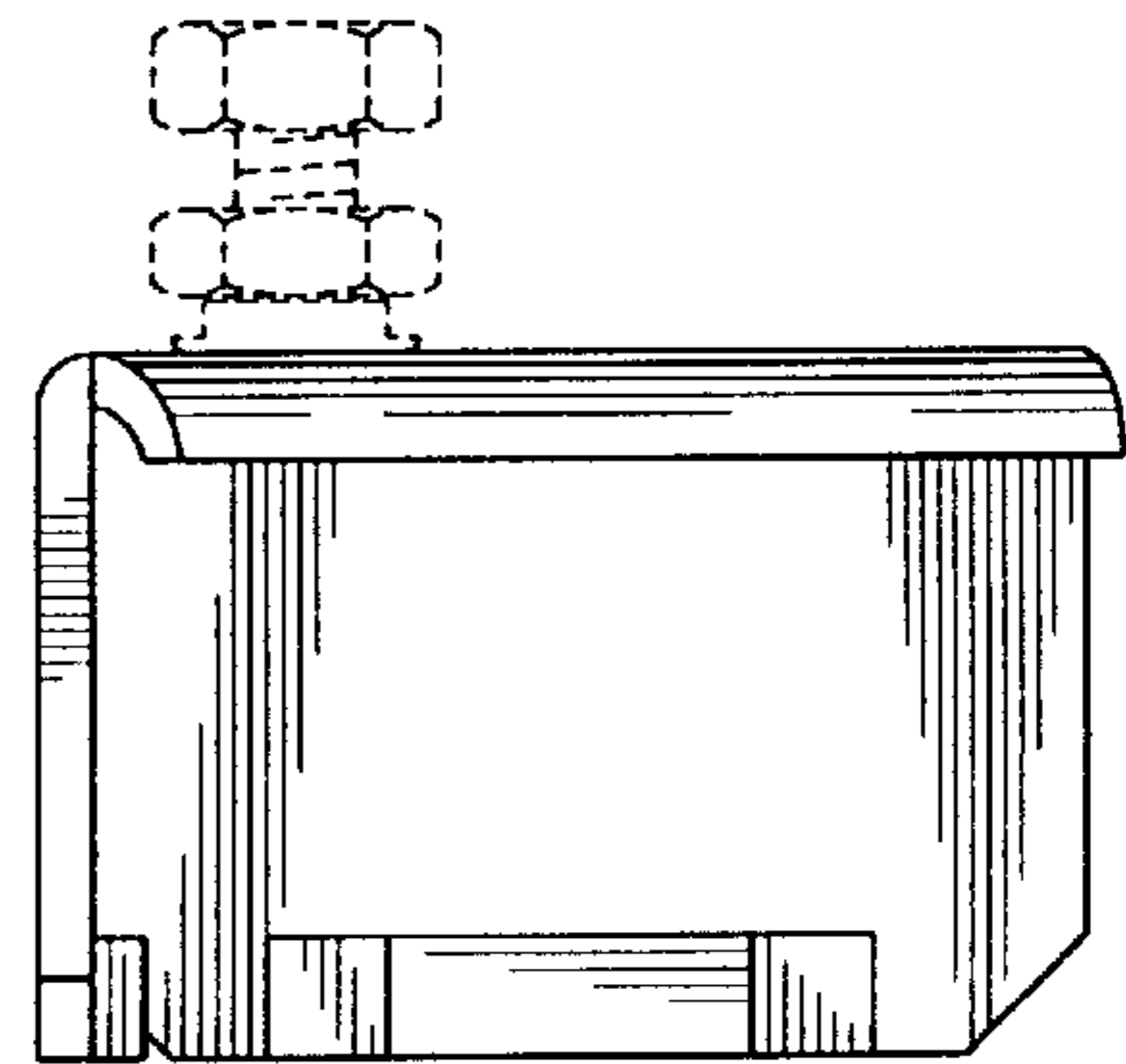


FIG. 6

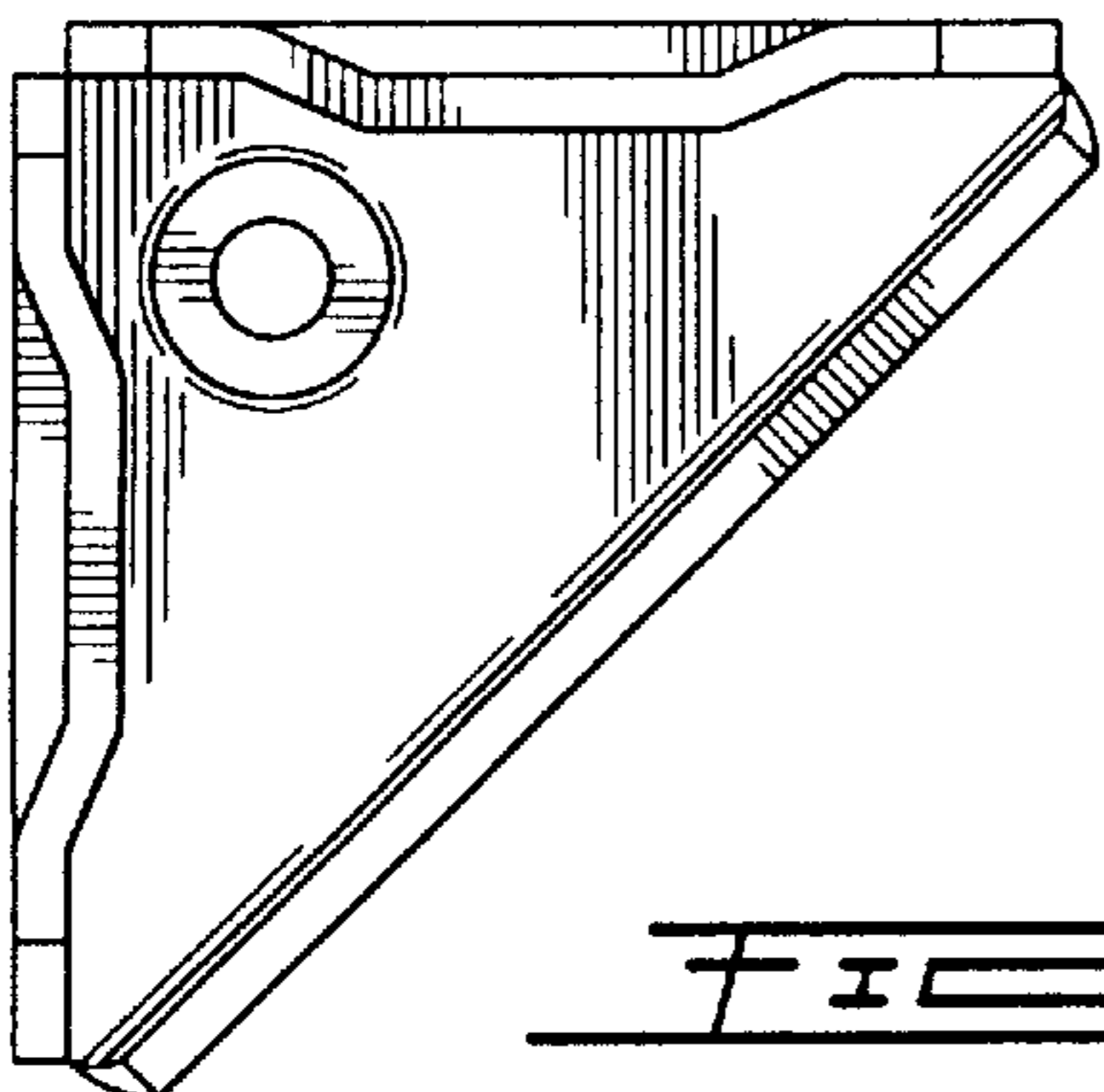


FIG. 7