



US00D406800S

# United States Patent [19]

Nece

[11] **Patent Number: Des. 406,800**

[45] **Date of Patent: \*\*Mar. 16, 1999**

[54] **TRAILER ENCLOSURE COVER KIT**

[76] Inventor: **Gary L. Nece**, 14105 36 Ave. N.,  
Plymouth, Minn. 55447

[\*\*] Term: **14 Years**

[21] Appl. No.: **67,445**

[22] Filed: **Jun. 7, 1996**

[51] **LOC (6) Cl. .... 12-10**

[52] **U.S. Cl. .... D12/104**

[58] **Field of Search .... D12/101, 102,**  
D12/104, 106, 403, 404; 296/22-24.2, 181,  
173; 150/165, 166

[56] **References Cited**

**U.S. PATENT DOCUMENTS**

D. 102,182	12/1936	Falk	.....	D12/102
D. 193,387	8/1962	Phillips, Jr.	.....	D12/102
D. 276,326	11/1984	Bell, Jr.	.....	D12/102
D. 294,474	3/1988	Pellenz	.....	D12/102
D. 308,033	5/1990	Cornell	.....	D12/102

D. 357,649	4/1995	Neyer	.....	D12/104
D. 380,422	7/1997	Cairney	.....	D12/102
3,830,541	8/1974	Bowman et al.	.....	296/173

*Primary Examiner*—Melody N. Brown

[57] **CLAIM**

The ornamental design for a trailer enclosure cover kit, as shown and described.

**DESCRIPTION**

FIG. 1 is a perspective view of a trailer enclosure cover kit showing my new design, the trailer shown in broken lines are for illustrative purposes only and form no part of the claimed design;

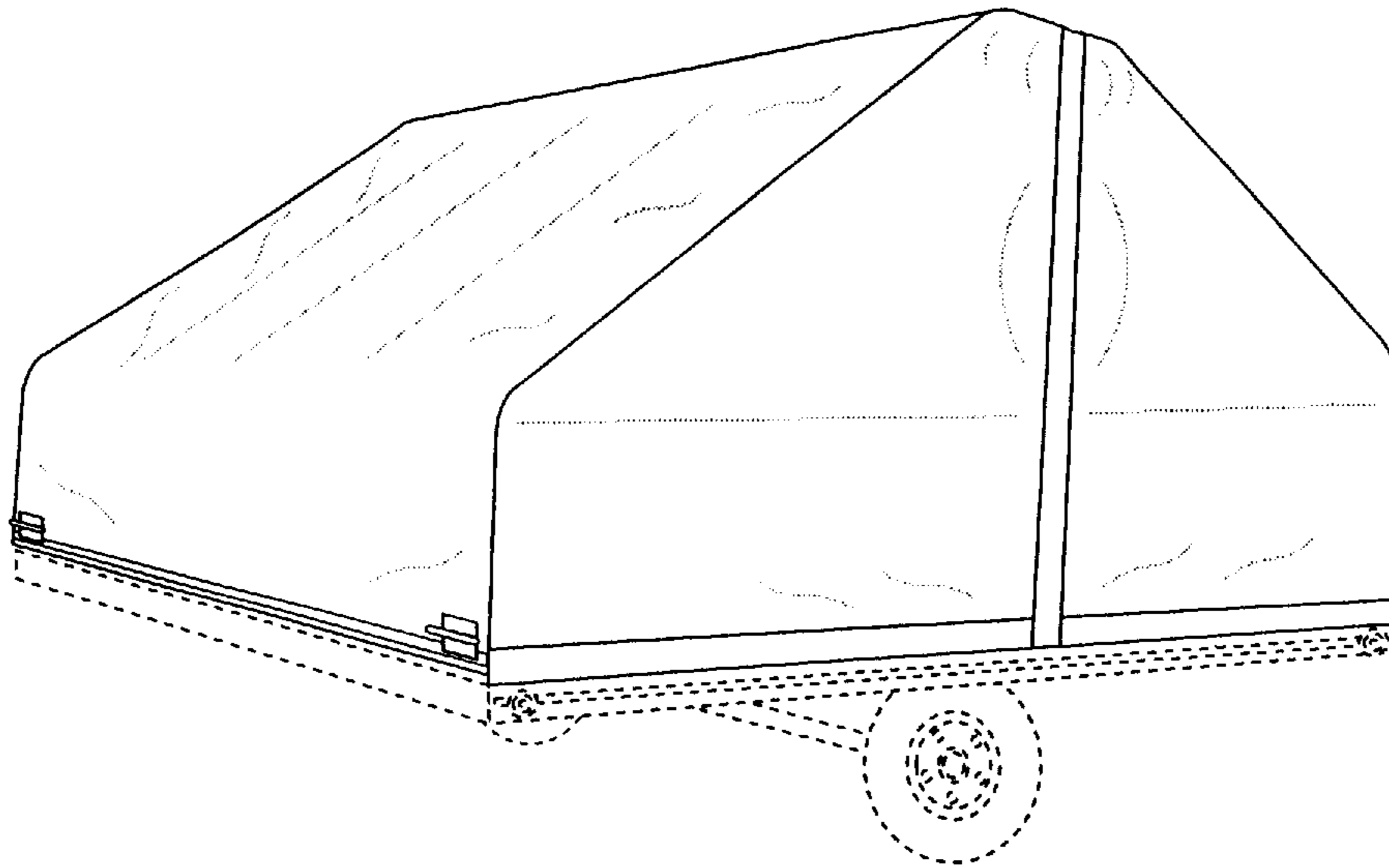
FIG. 2 is side elevational view thereof, the opposite side being a mirror image of the side shown;

FIG. 3 is a front elevational view thereof; the rear view being a mirror image of the front shown;

FIG. 4 is a top plan view thereof; and,

FIG. 5 is a side elevational view thereof, in open position.

**1 Claim, 3 Drawing Sheets**



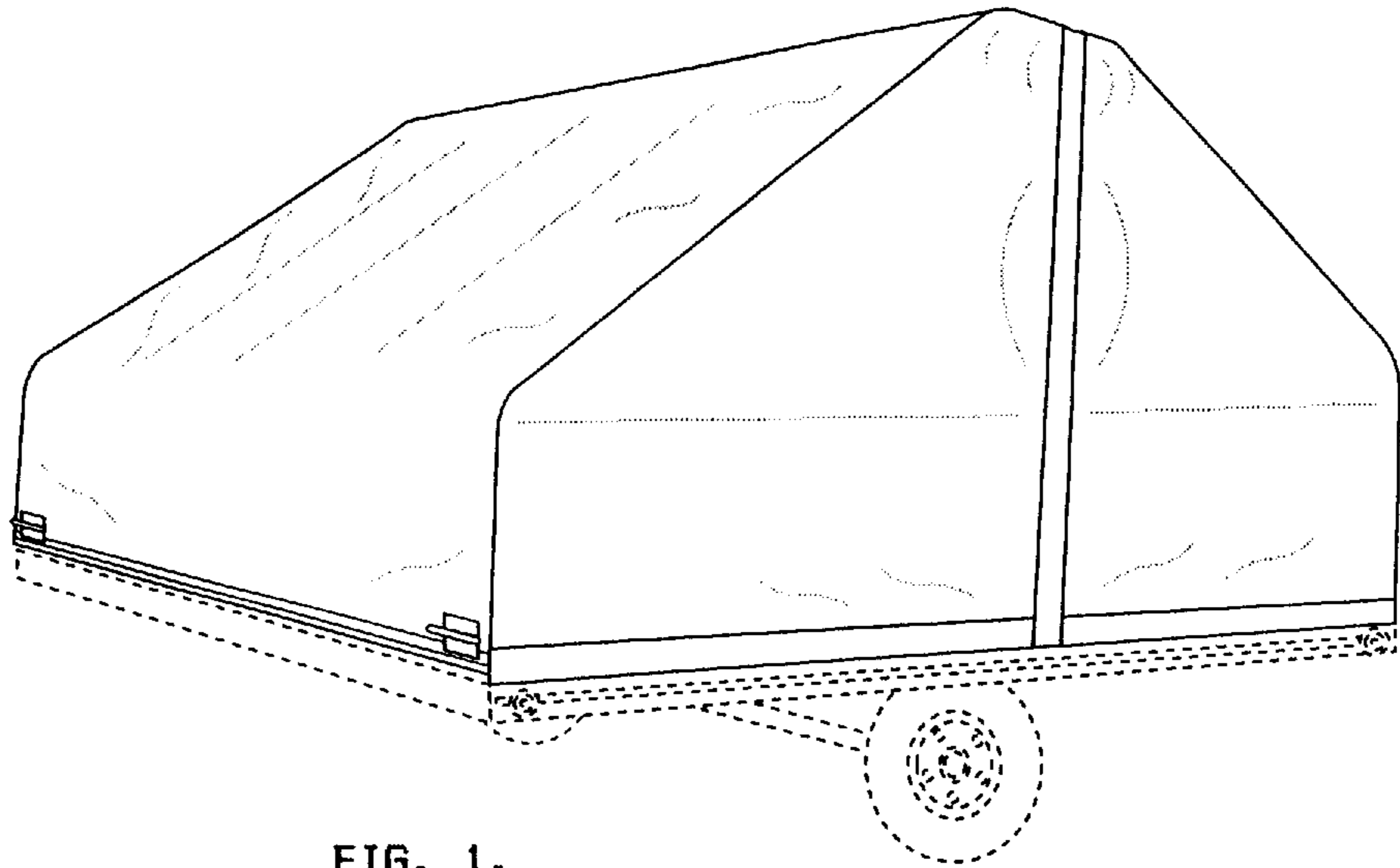


FIG. 1.

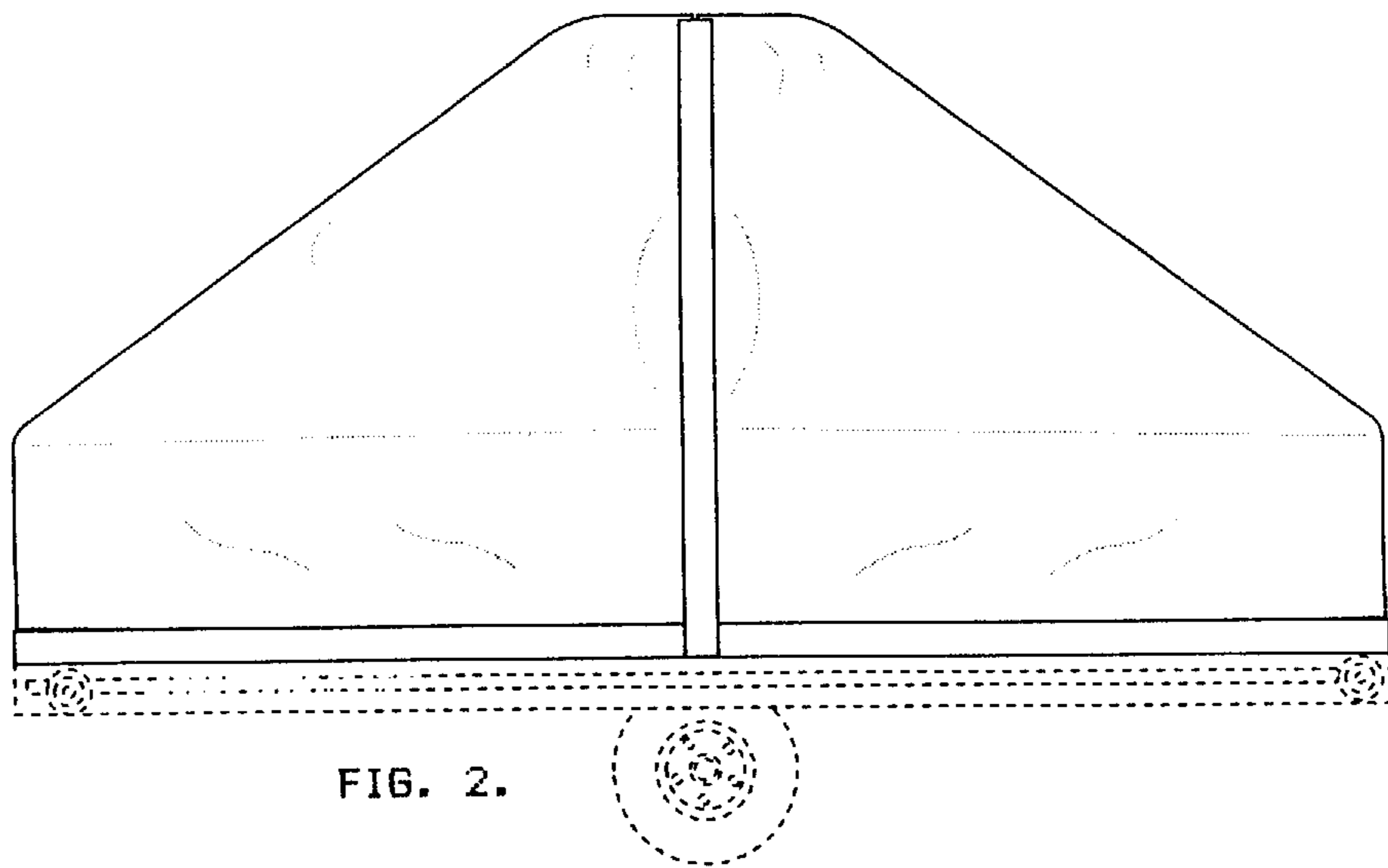


FIG. 2.

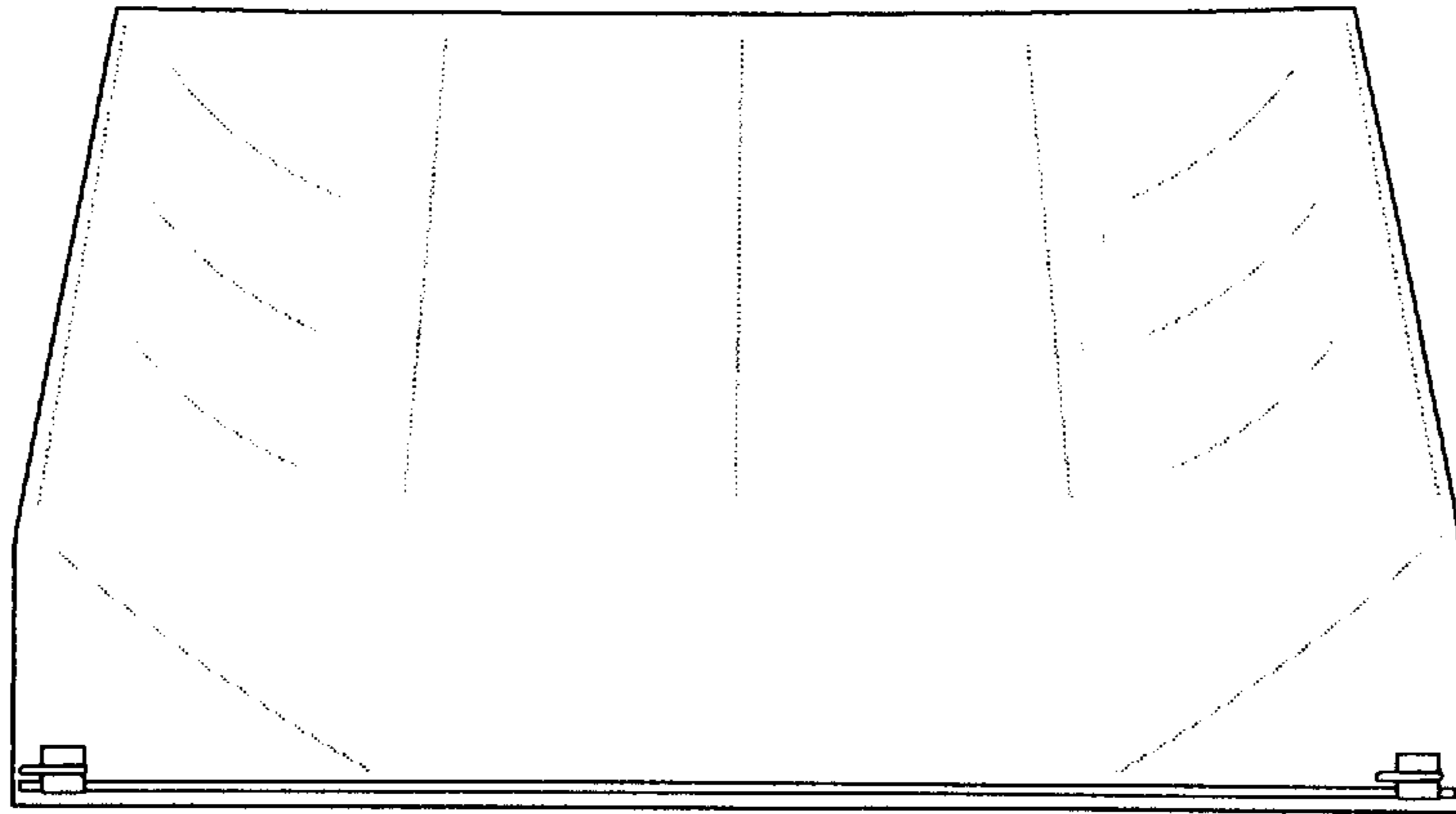


FIG. 3.

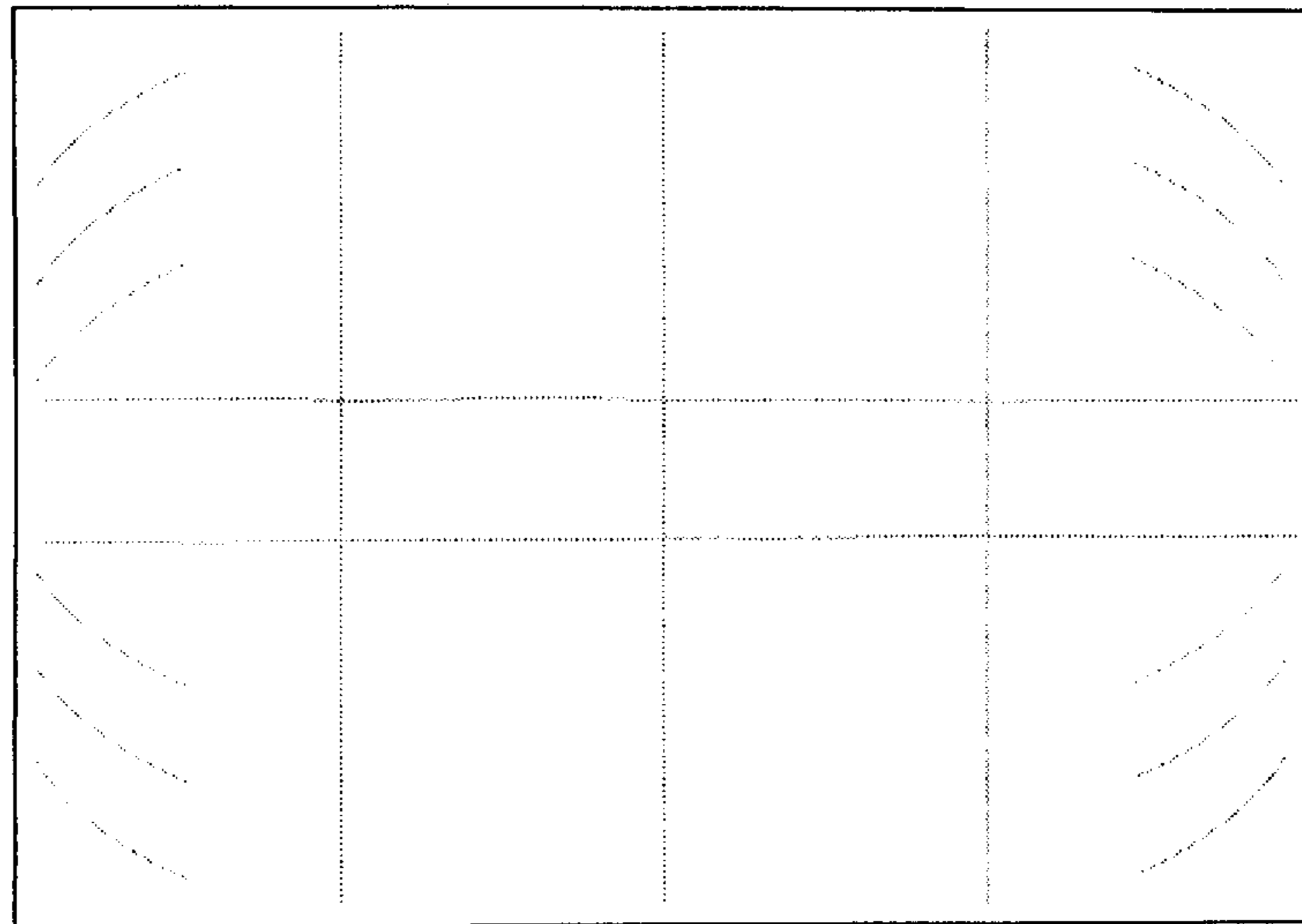


FIG. 4.

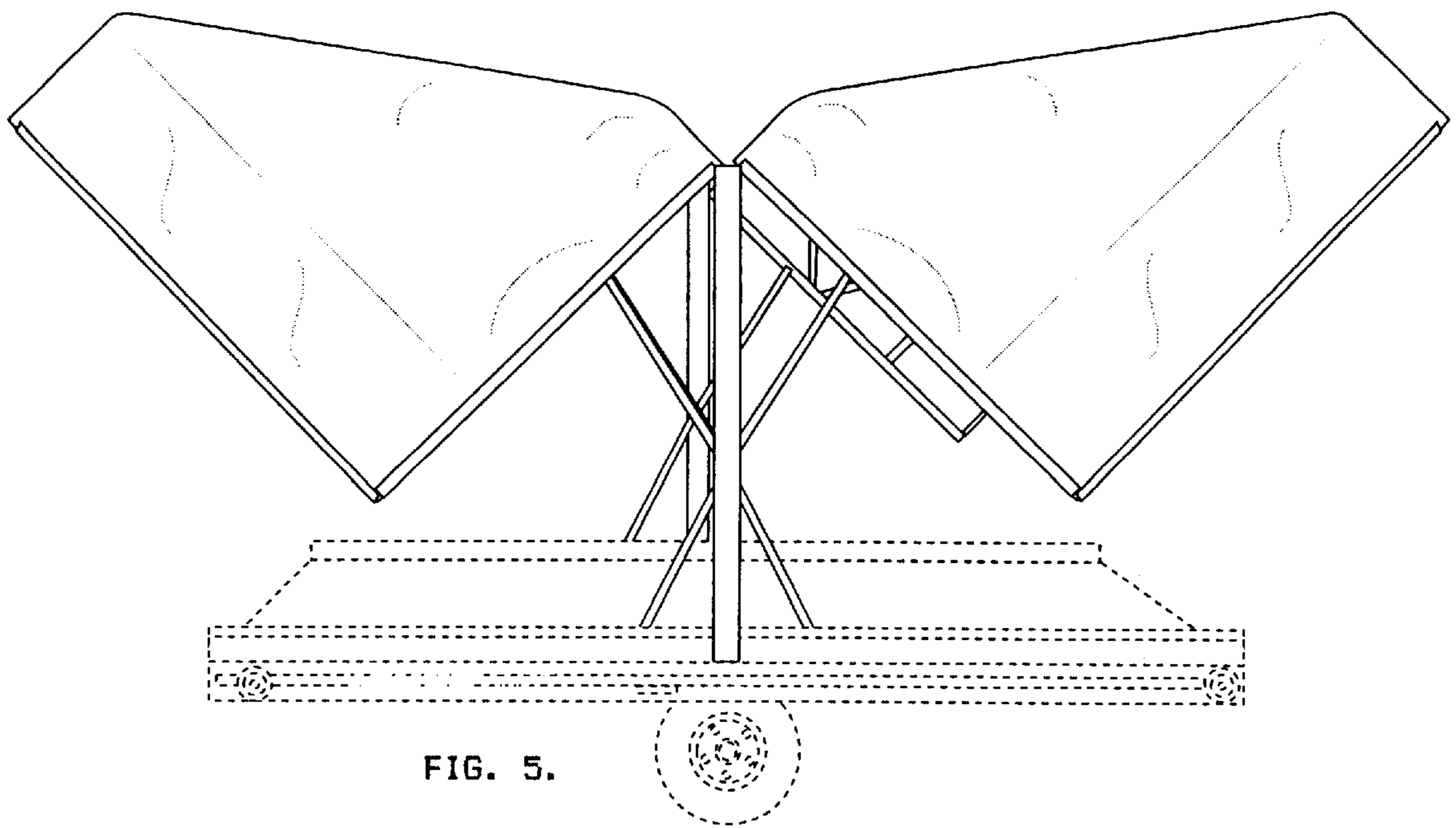


FIG. 5.