

US00D406799S

# United States Patent [19]

[11] **Patent Number: Des. 406,799**

**Fisker**

[45] **Date of Patent: \*\*Mar. 16, 1999**

## [54] EXTERIOR SURFACE CONFIGURATION OF A VEHICLE

[75] Inventor: **Henrik Fisker**, Westlake Village, Calif.

[73] Assignee: **Bayerische Motoren Werke Aktiengesellschaft**, Munich, Germany

[\*\*] Term: **14 Years**

[21] Appl. No.: **86,641**

[22] Filed: **Apr. 16, 1998**

### [30] Foreign Application Priority Data

Oct. 16, 1997 [DE] Germany ..... M-97-09-721.7

[51] **LOC (6) Cl.** ..... **12-08**

[52] **U.S. Cl.** ..... **D12/92**

[58] **Field of Search** ..... D12/92, 90, 91;  
296/185

### [56] References Cited

#### U.S. PATENT DOCUMENTS

D. 354,459	1/1995	Honorkhah et al.	.....	D12/92
D. 361,046	8/1995	Watkins et al.	.....	D12/92
D. 378,203	2/1997	Huppy	.....	D12/92
D. 394,529	1/1998	Hubboch et al.	.....	D12/92

*Primary Examiner*—Melody N. Brown

*Attorney, Agent, or Firm*—Evenson, McKeown, Edwards & Lenahan, PLLC

## [57] CLAIM

The ornamental design for an exterior surface configuration of a vehicle, as shown and described.

### DESCRIPTION

FIG. 1 is a front view of an exterior surface configuration of a vehicle according to my novel design;

FIG. 2 is a perspective view from the front left of an exterior surface configuration of a vehicle according to my novel design;

FIG. 3 is a perspective view from the front right of an exterior surface configuration of a vehicle according to my novel design;

FIG. 4 is a left side view of an exterior surface configuration of a vehicle according to my novel design;

FIG. 5 is a right side view of an exterior surface configuration of a vehicle according to my novel design;

FIG. 6 is a perspective view from the rear left of an exterior surface configuration of a vehicle according to my novel design;

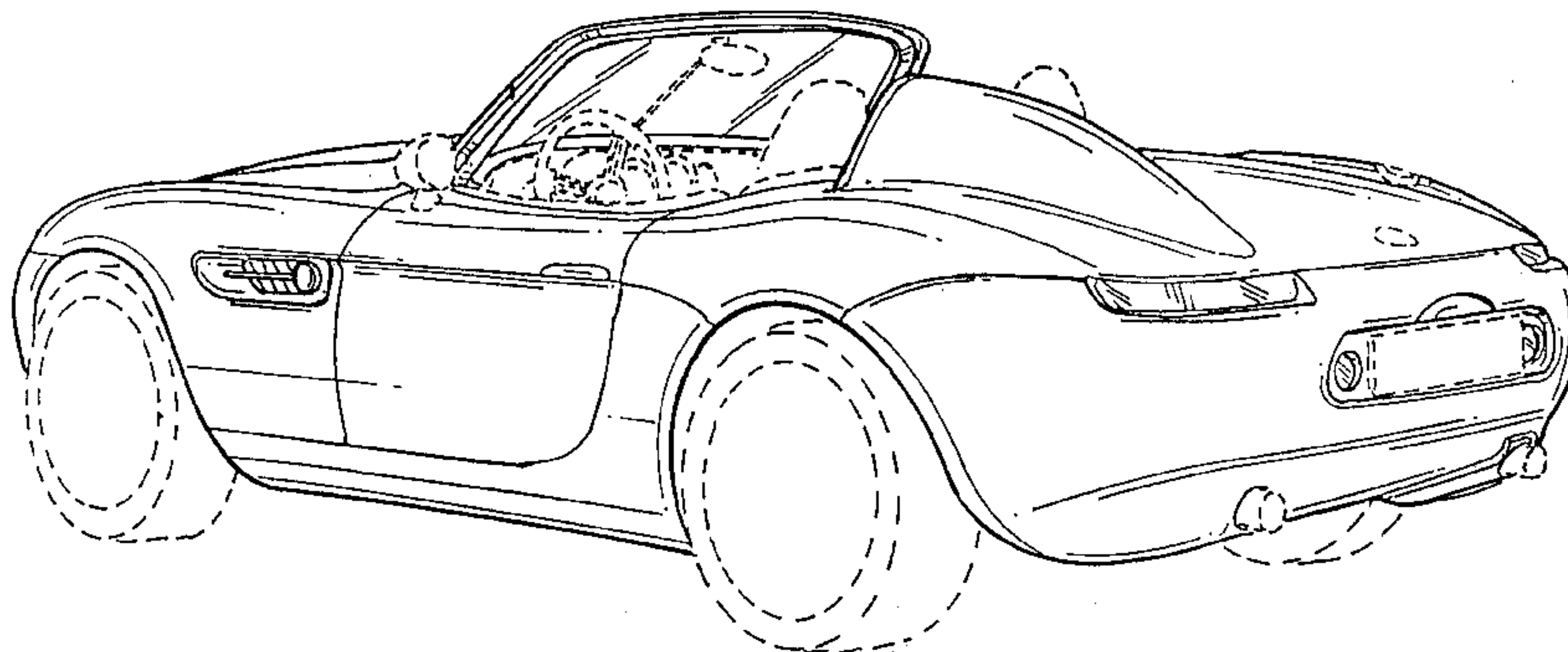
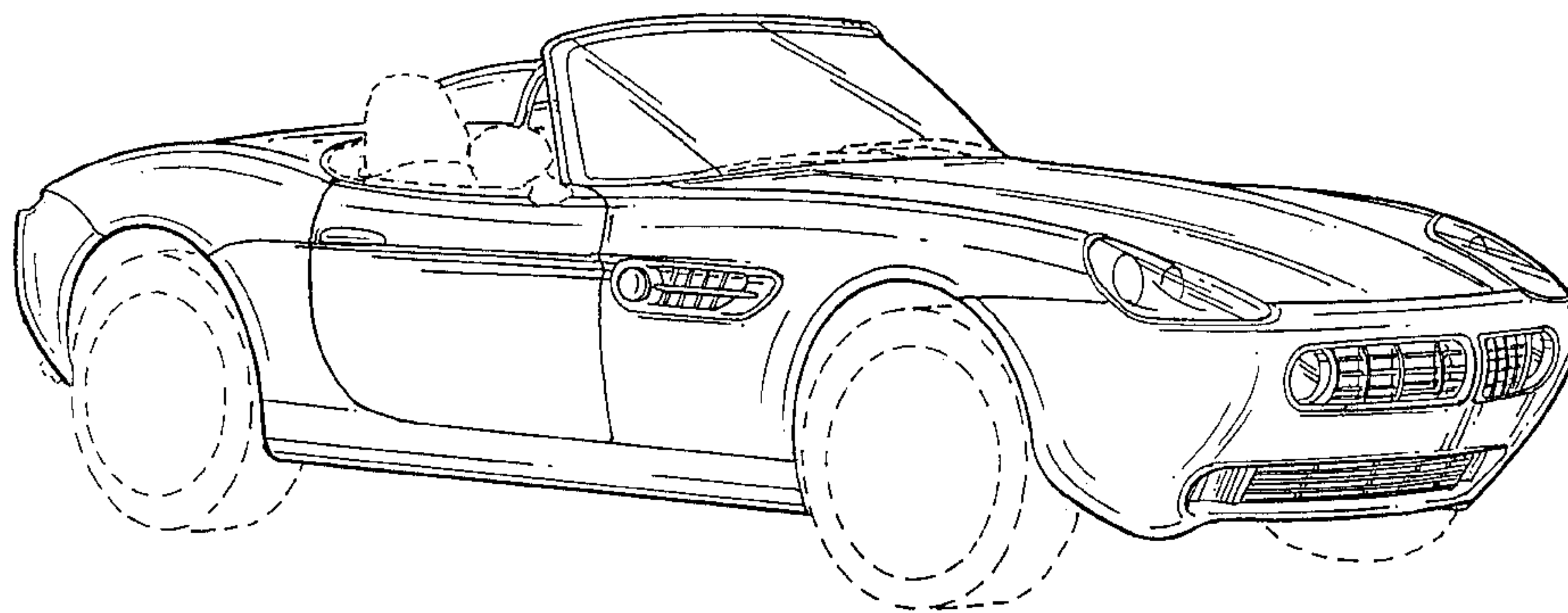
FIG. 7 is a perspective view from the rear right of an exterior surface configuration of a vehicle according to my novel design;

FIG. 8 is a rear view of an exterior surface configuration of a vehicle according to my novel design; and,

FIG. 9 is a top view of an exterior surface configuration of a vehicle according to my novel design.

The broken lines shown in all drawing views are for illustrative purposes only and form no part of the claimed design.

**1 Claim, 5 Drawing Sheets**



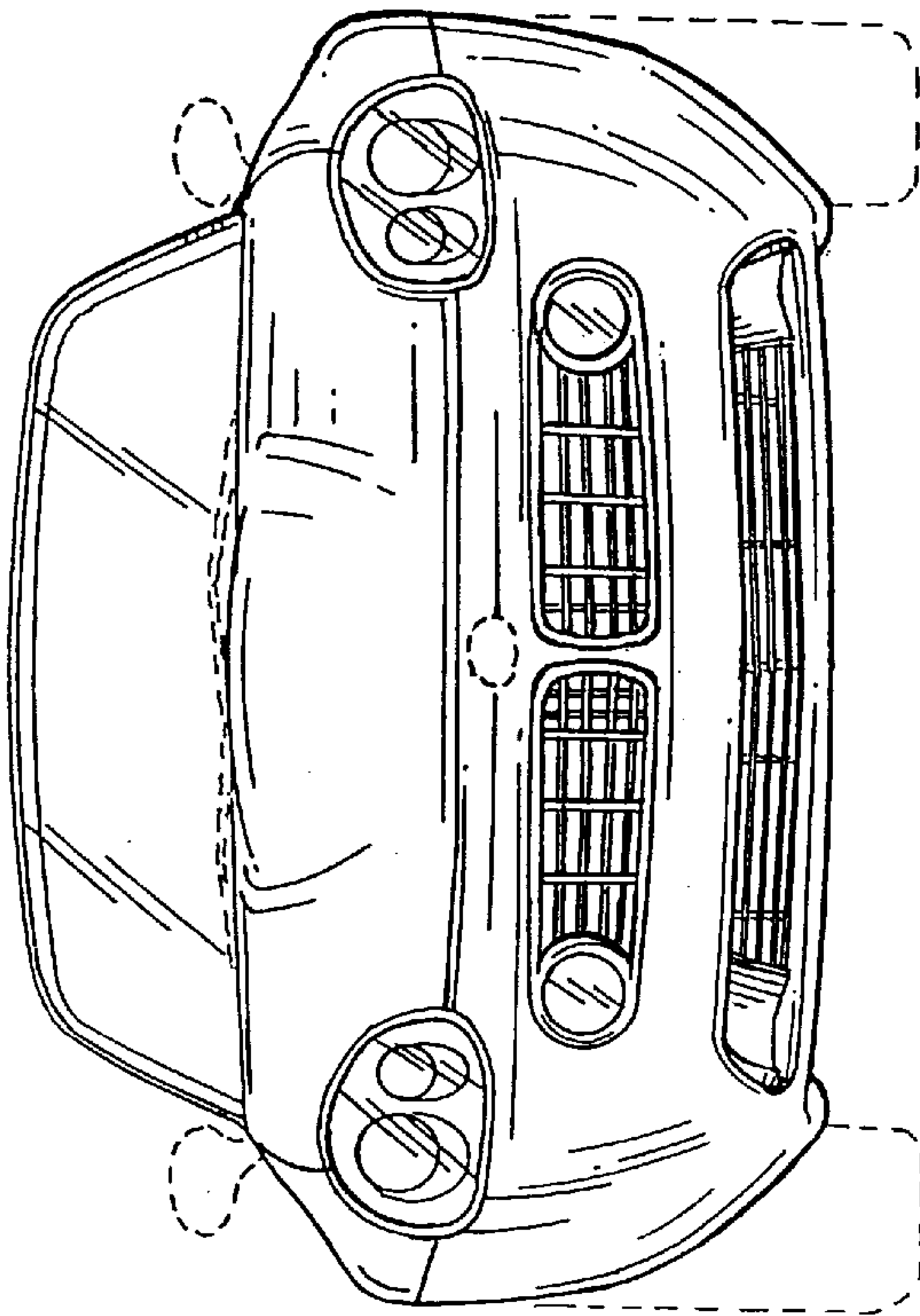


FIG. 1

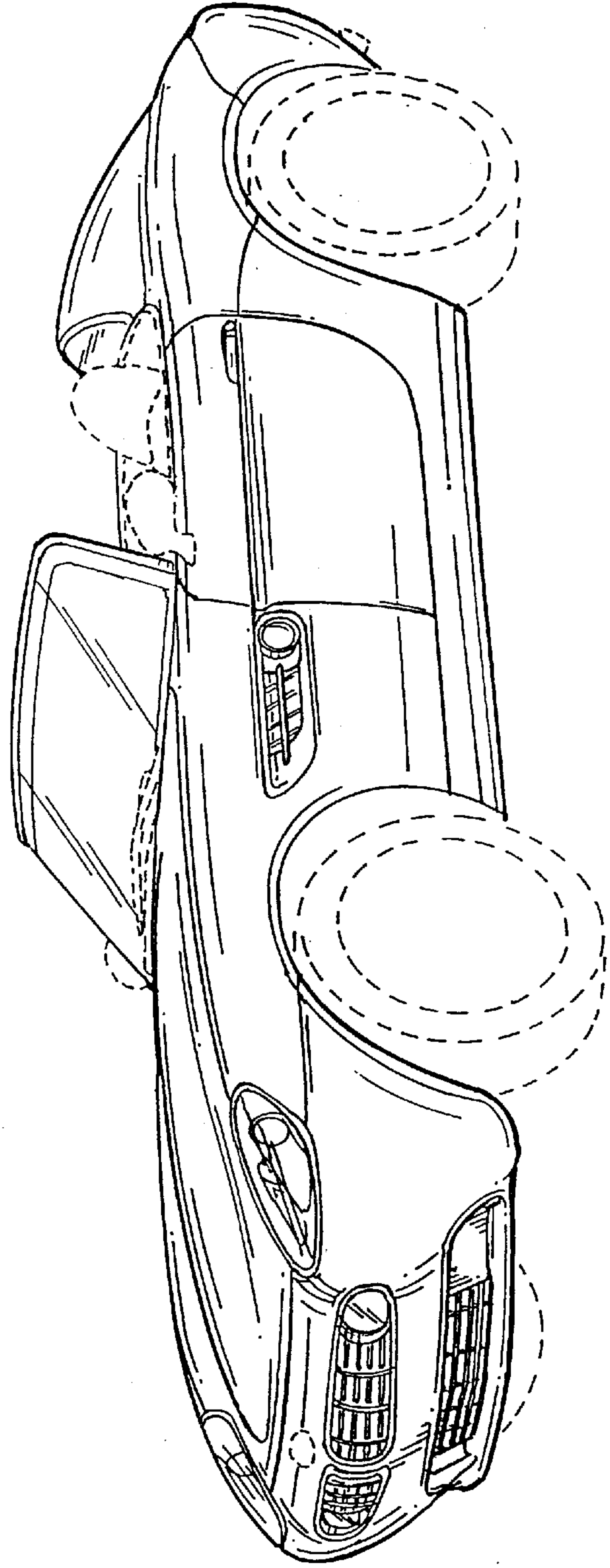


FIG. 2

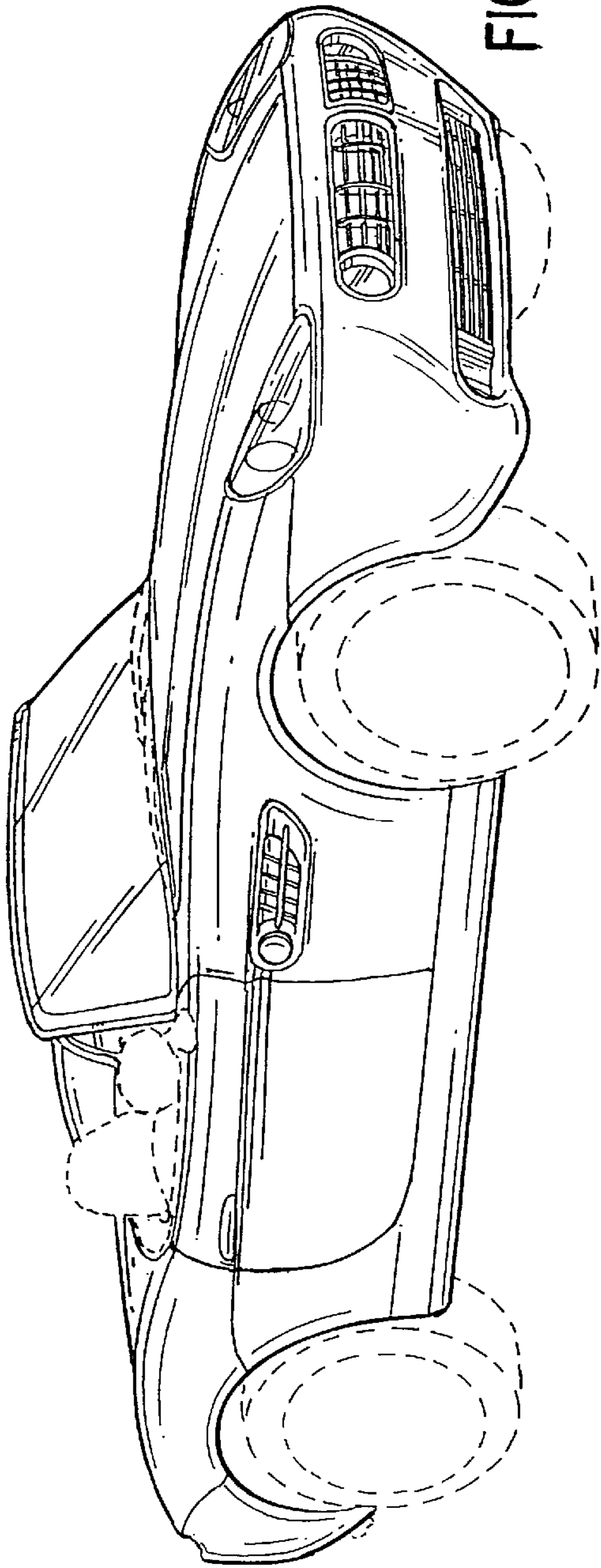


FIG. 3

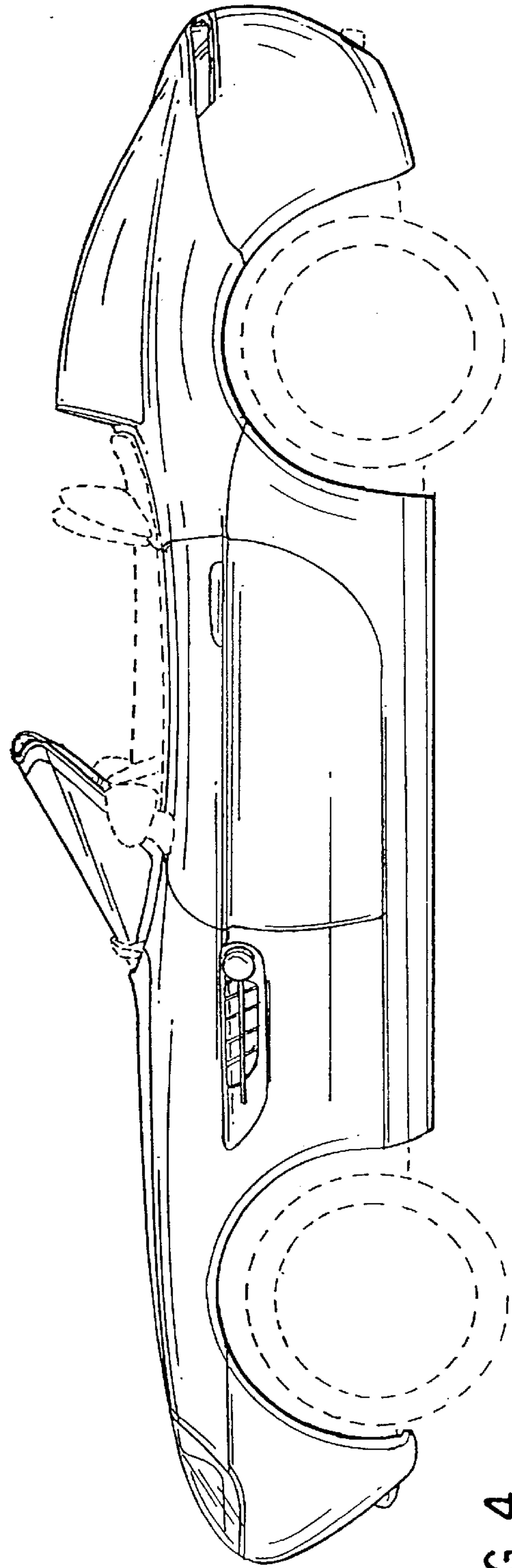
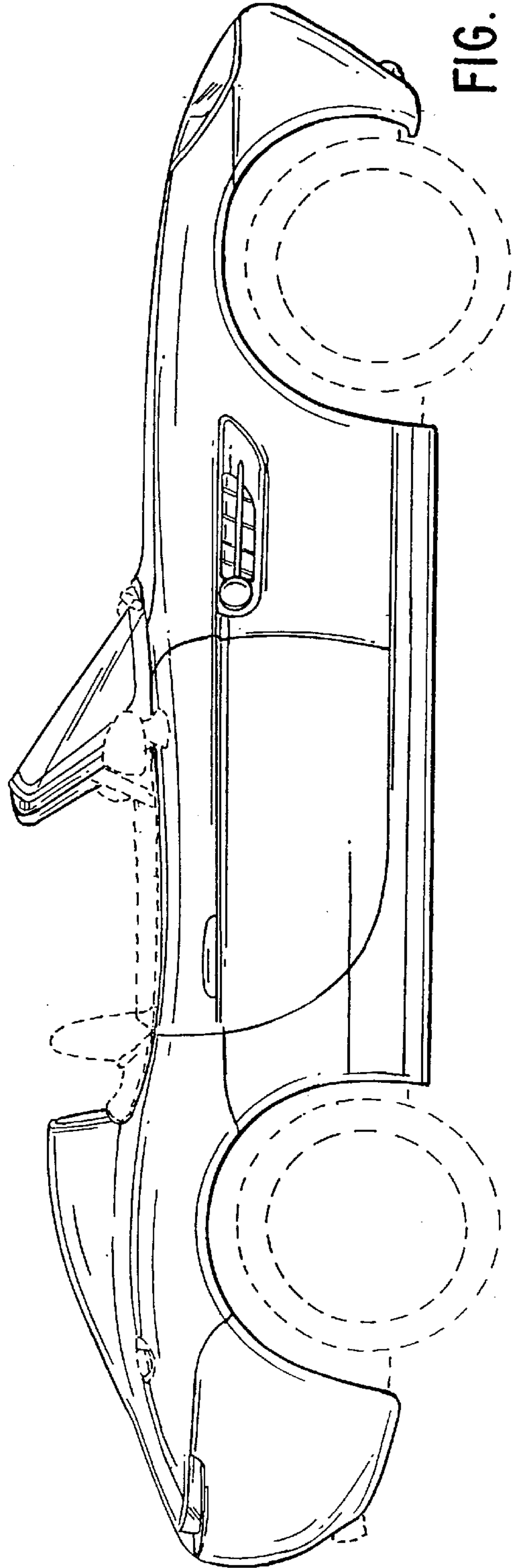
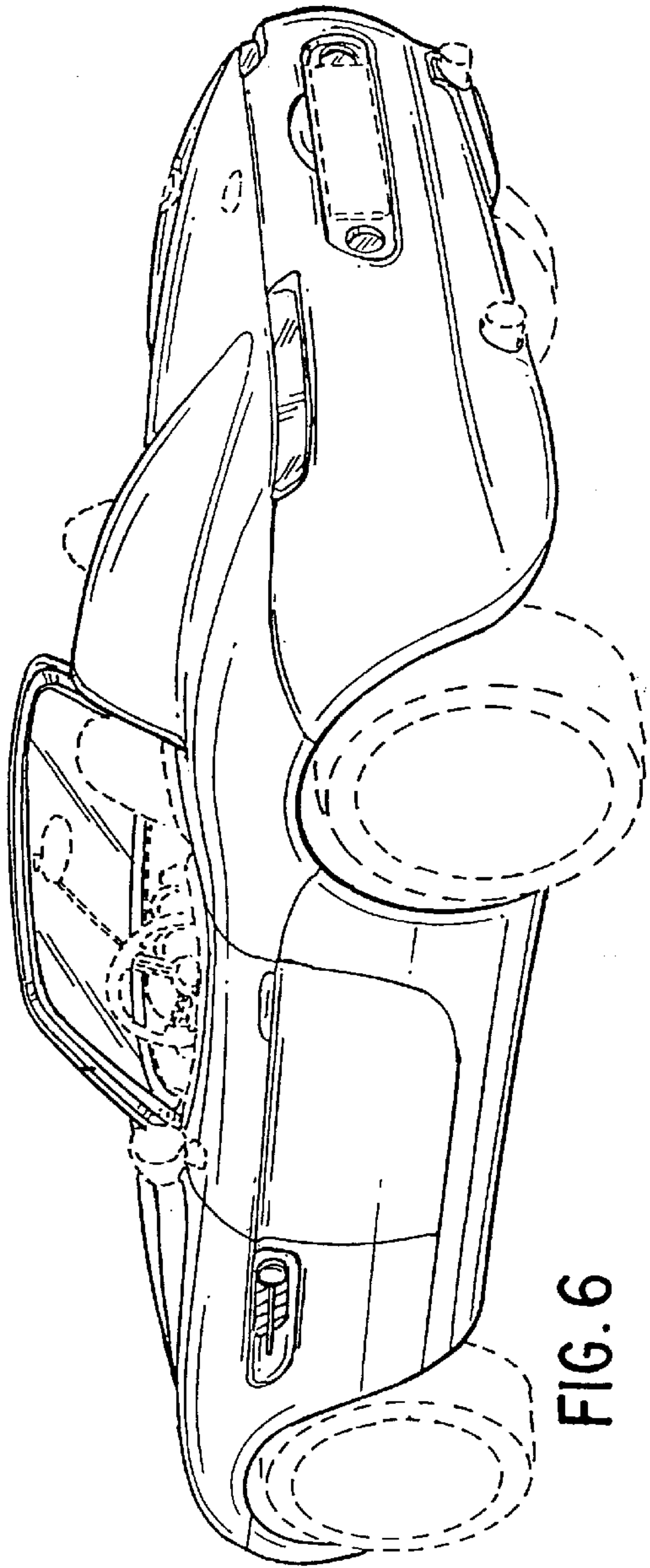


FIG. 4





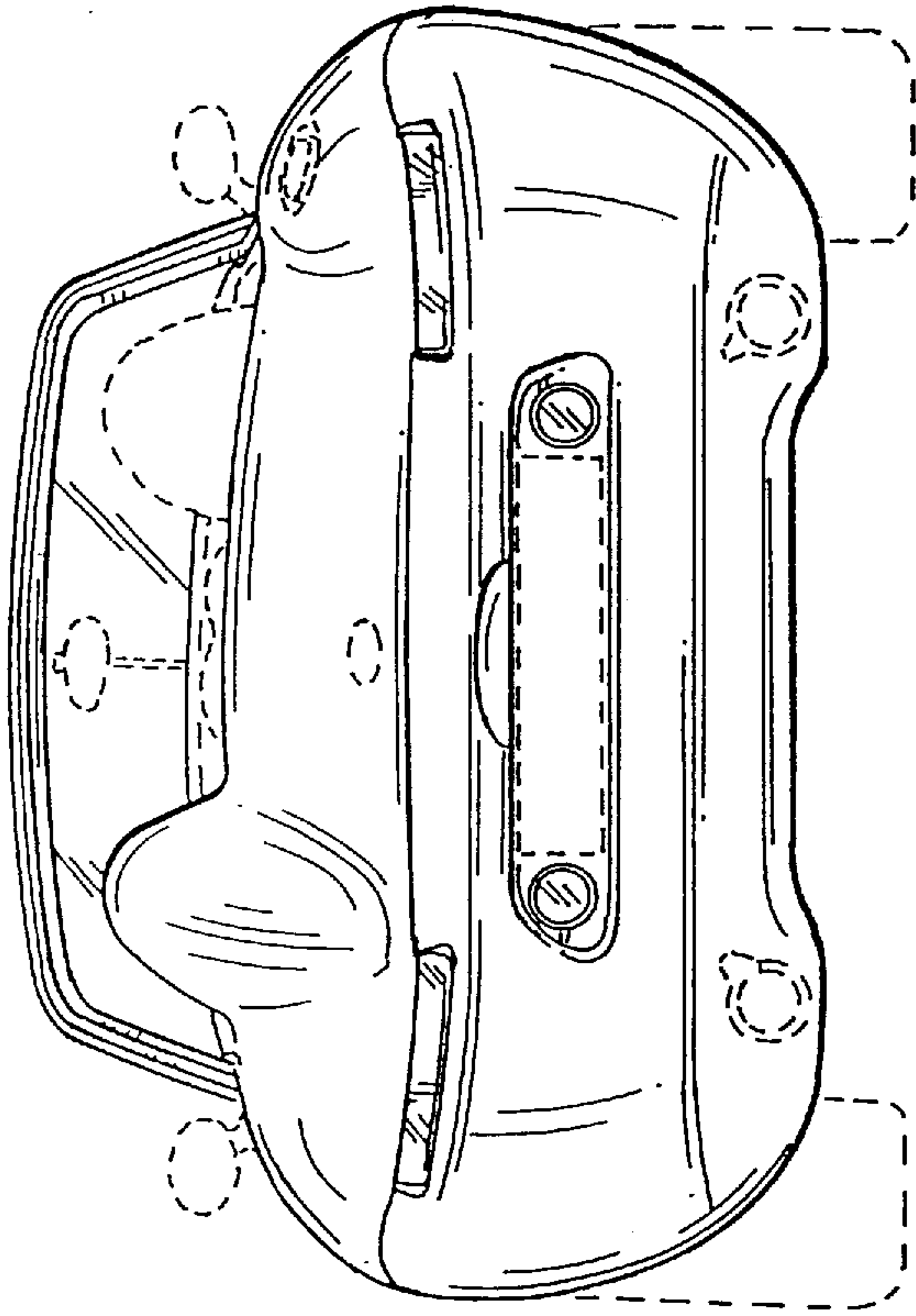


FIG. 8

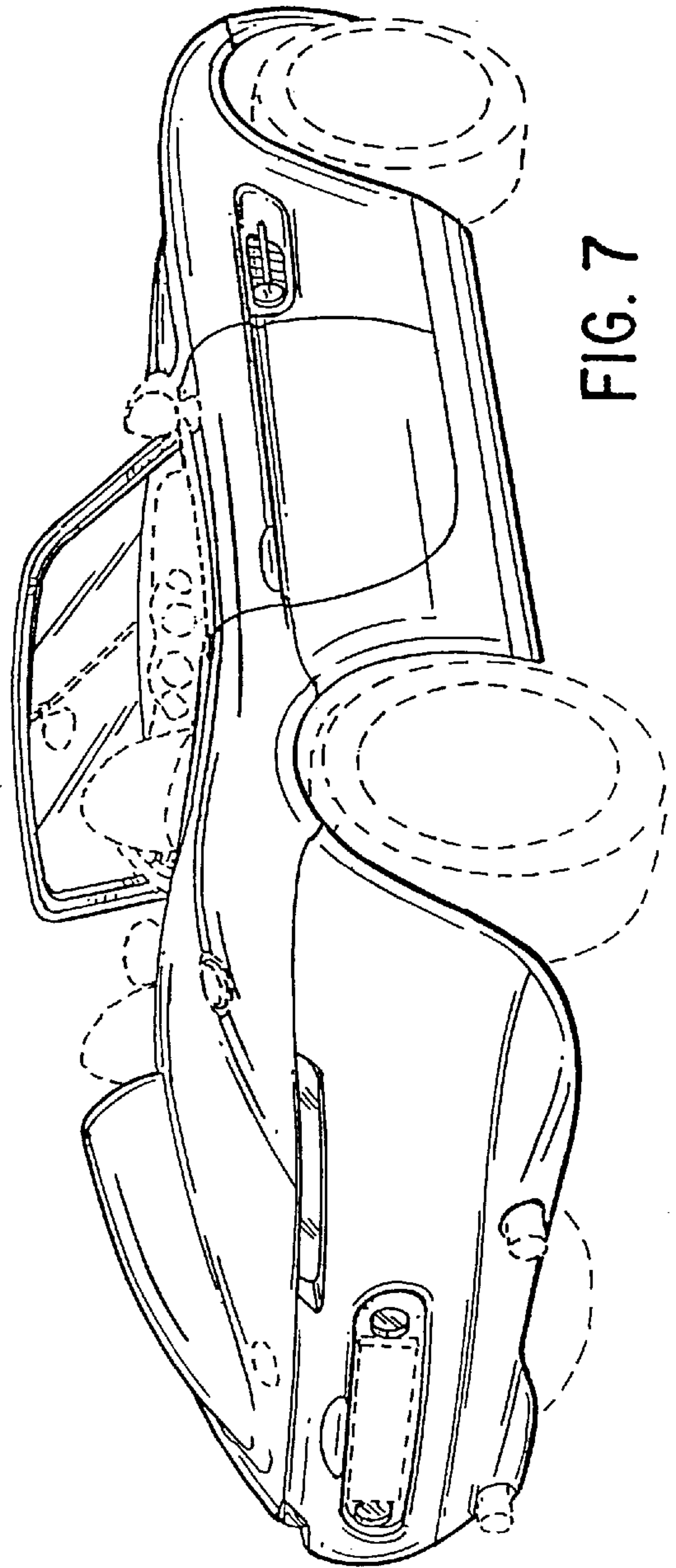


FIG. 7

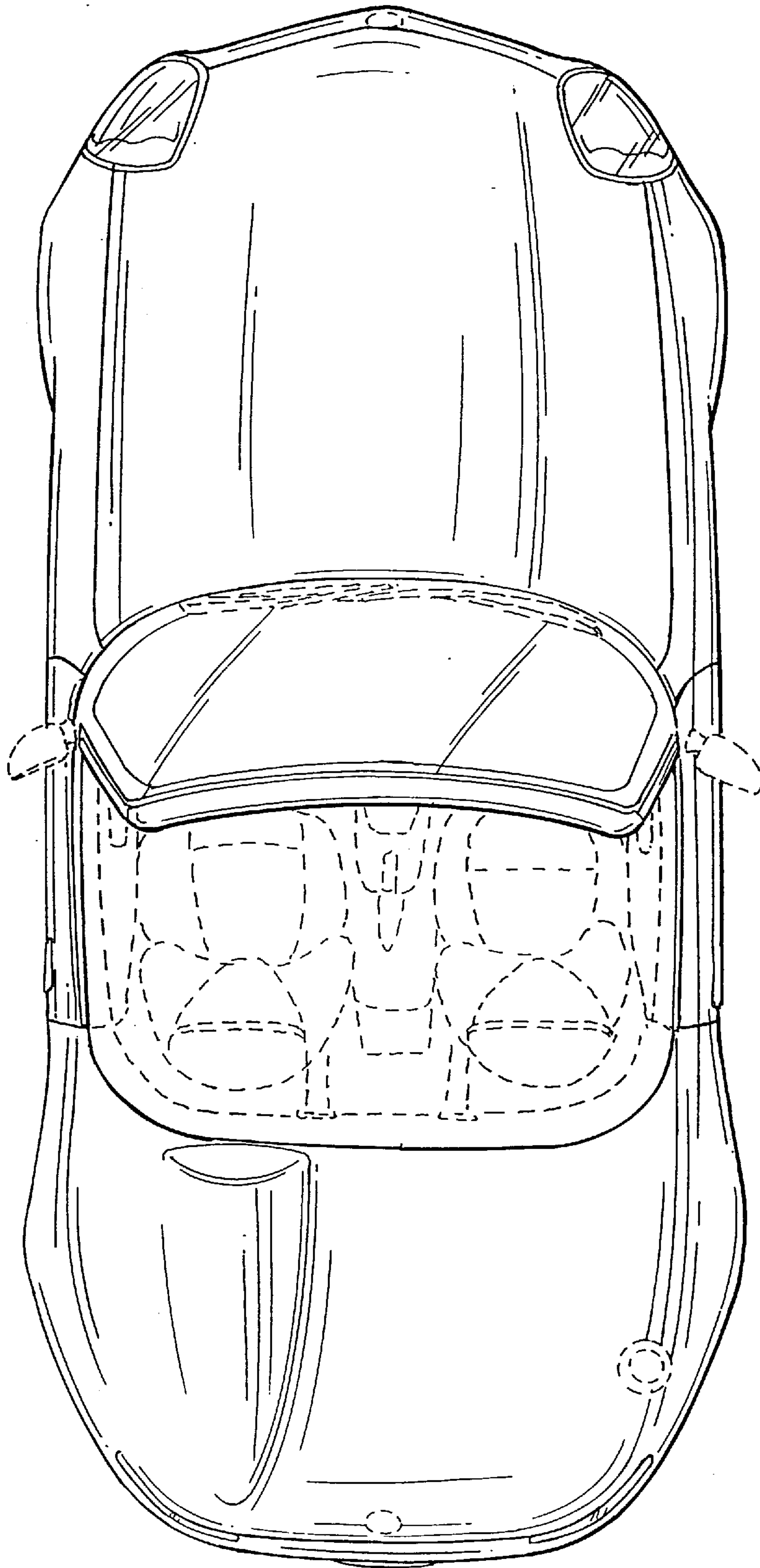


FIG. 9