

US00D406797S

United States Patent [19] Bangle

[11] Patent Number: **Des. 406,797**

[45] Date of Patent: ****Mar. 16, 1999**

[54] **AUTOMOBILE**

[75] Inventor: **Christopher Edward Bangle**, Gilching, Germany

[73] Assignee: **Bayerische Motoren Werke Aktiengesellschaft**, Munich, Germany

[**] Term: **14 Years**

[21] Appl. No.: **82,213**

[22] Filed: **Jan. 16, 1998**

[30] **Foreign Application Priority Data**

Jul. 16, 1997 [DE] Germany M 97 06 695.8

[51] **LOC (6) Cl.** **12-08**

[52] **U.S. Cl.** **D12/92**

[58] **Field of Search** D12/90-92; 296/185

[56] **References Cited**

U.S. PATENT DOCUMENTS

- D. 372,687 8/1996 Boyer D12/92
- D. 392,220 3/1998 Haussmann D12/91
- D. 396,432 7/1998 Jyring D12/91

Primary Examiner—Melody N. Brown
Attorney, Agent, or Firm—Evenson, McKeown, Edwards & Lenahan, PLLC

[57] **CLAIM**

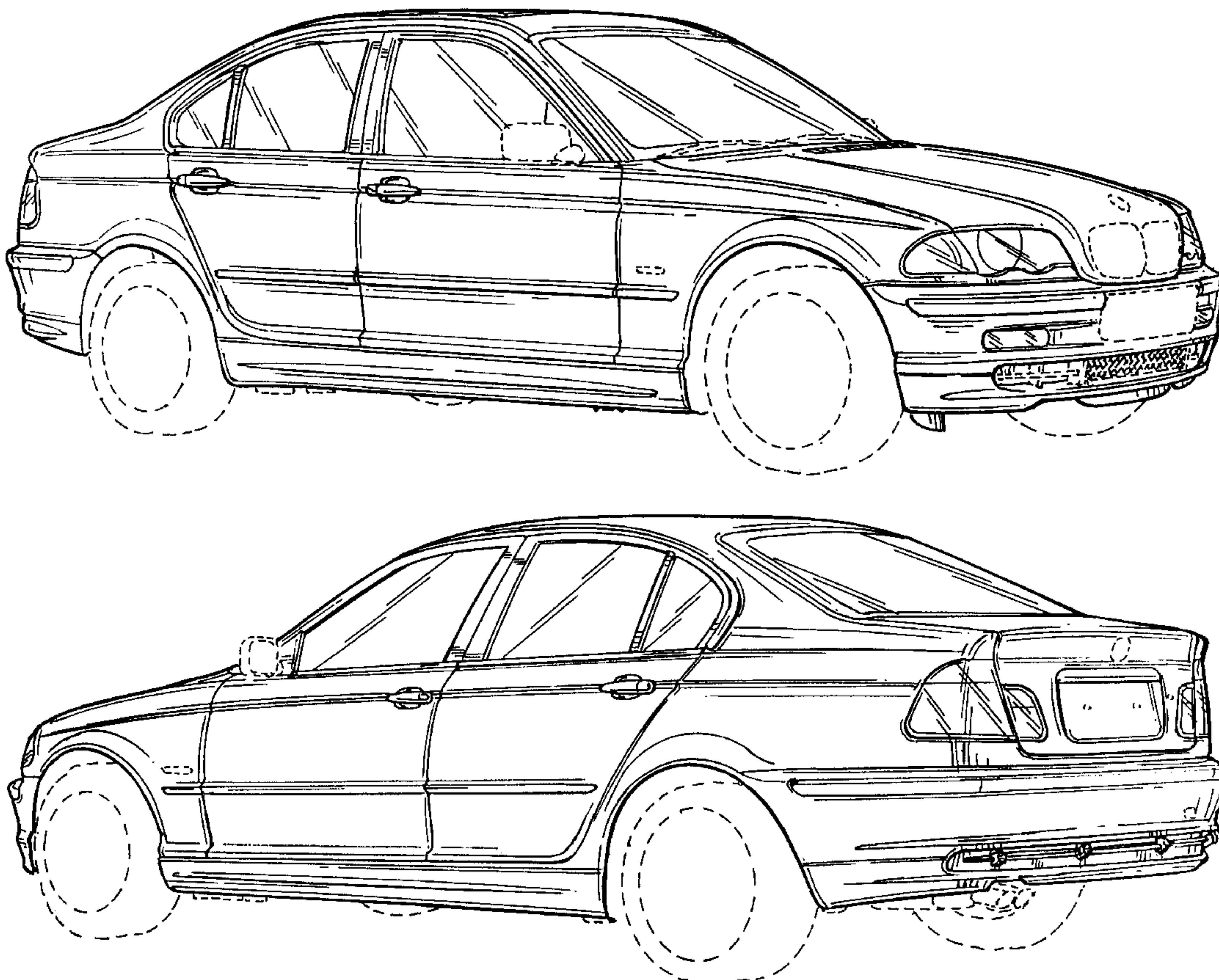
The ornamental design for an automobile, as shown and described.

DESCRIPTION

FIG. 1 is a front view of an automobile according to my novel design;
 FIG. 2 is a perspective view of the front left of an automobile according to my novel design;
 FIG. 3 is a perspective view of the front right of an automobile according to my novel design;
 FIG. 4 is a view of the left side of an automobile according to my novel design;
 FIG. 5 is a view of the right side of automobile according to my novel design;
 FIG. 6 is a perspective view of the rear left of an automobile according to my novel design;
 FIG. 7 is a perspective view of the rear right of an automobile according to my novel design;
 FIG. 8 is a rear view of an automobile according to my novel design; and,
 FIG. 9 is a top view of an automobile according to my novel design.

The broken lines shown in all drawing views are for illustrative purposes only and form no part of the claimed design. The dash line showing depicts environment and is not part of the claimed design. Also, please find enclosed a set of photographs of an embodiment of my invention.

1 Claim, 7 Drawing Sheets



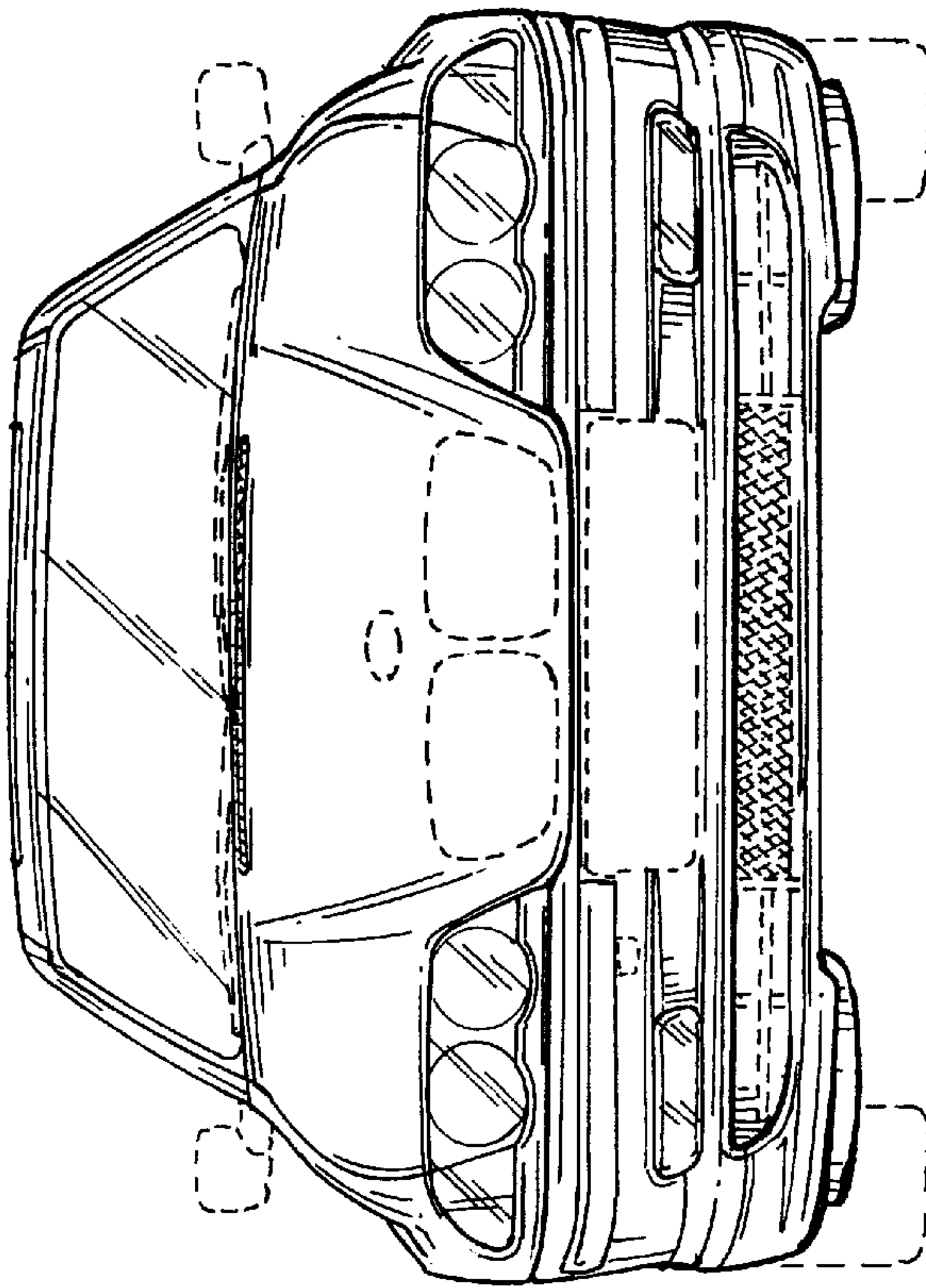


FIG. 1

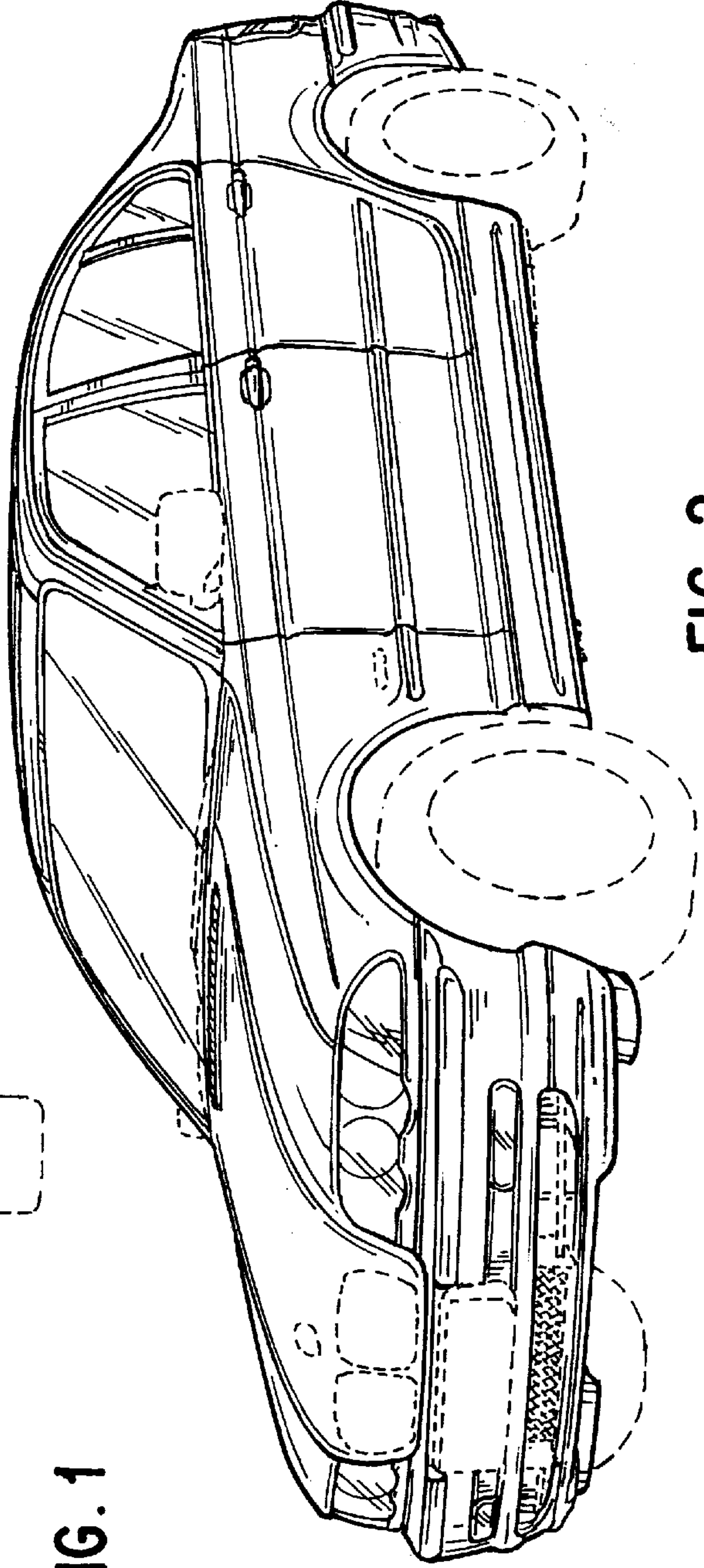


FIG. 2

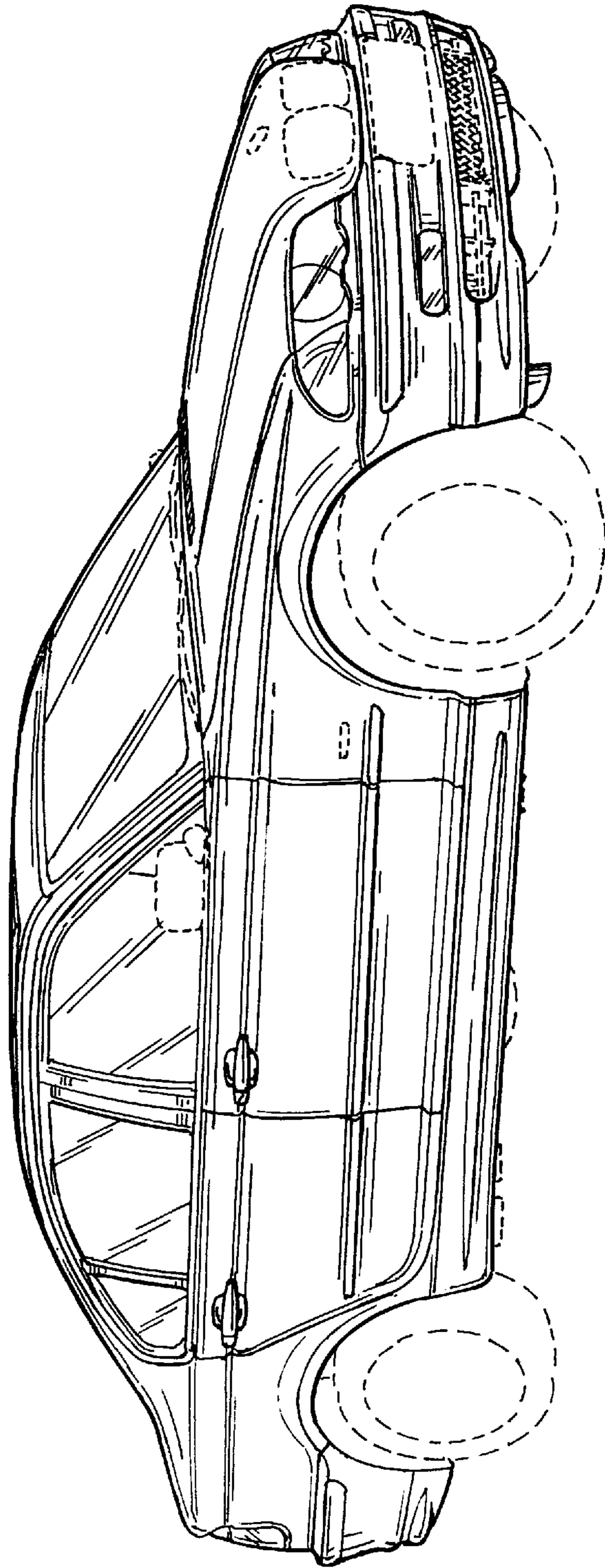


FIG. 3

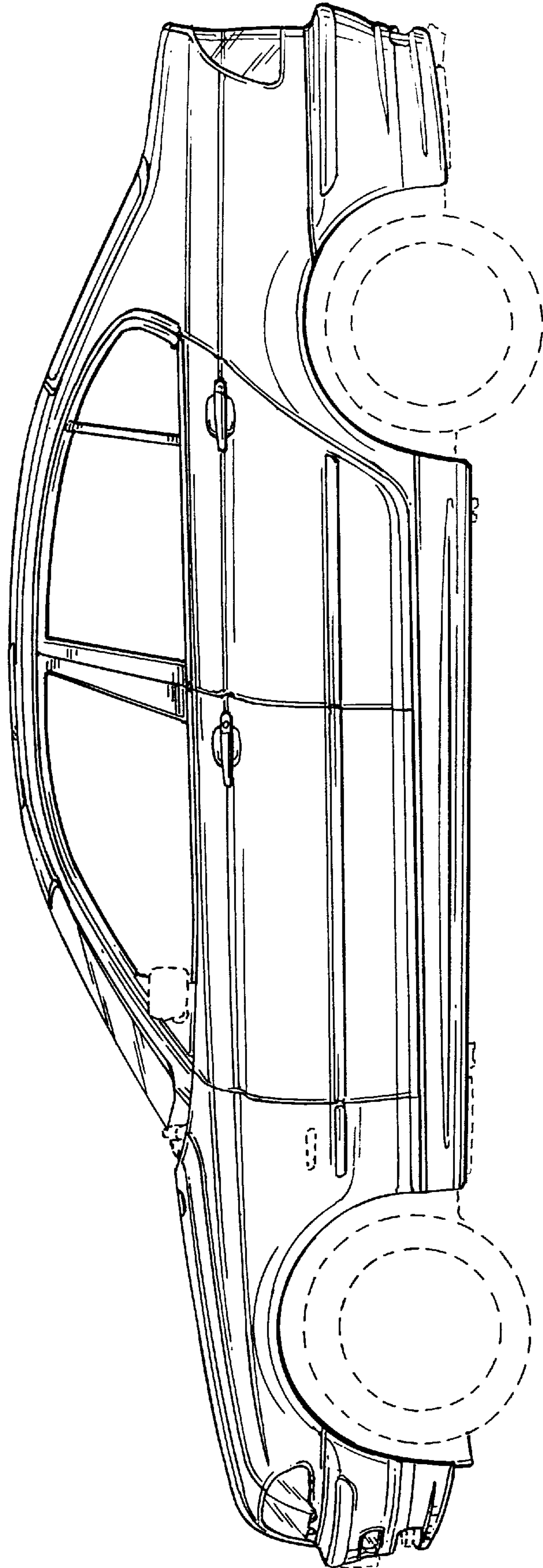


FIG. 4

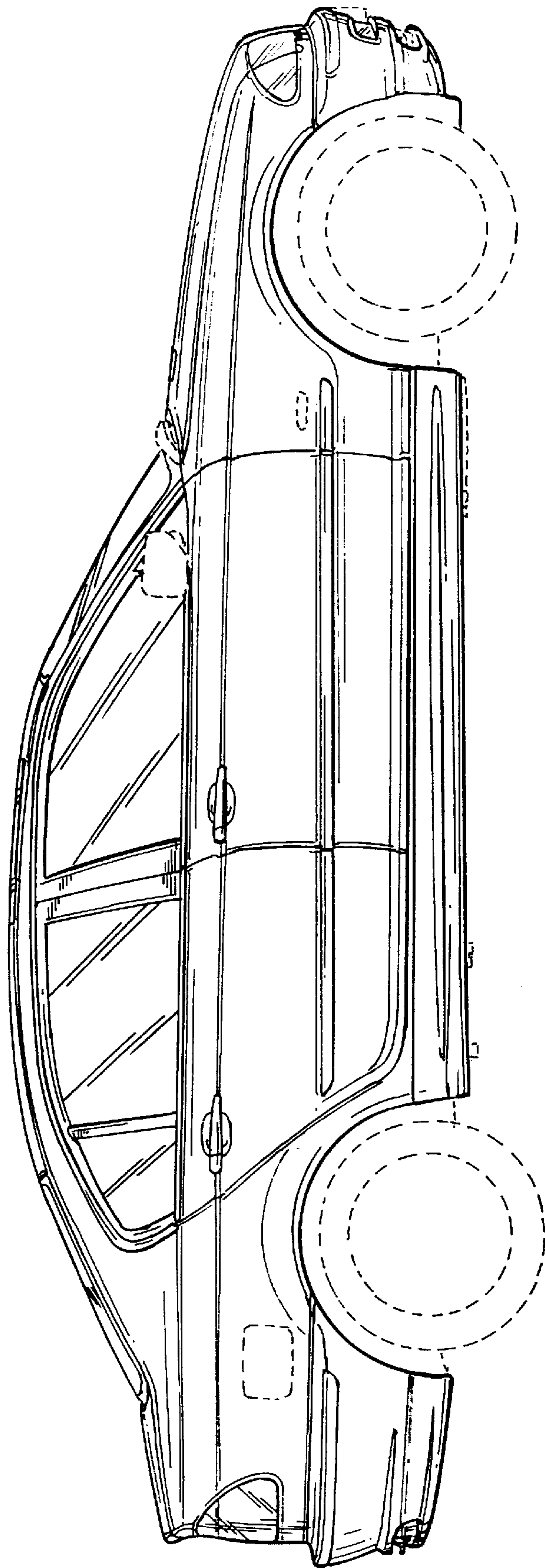


FIG. 5

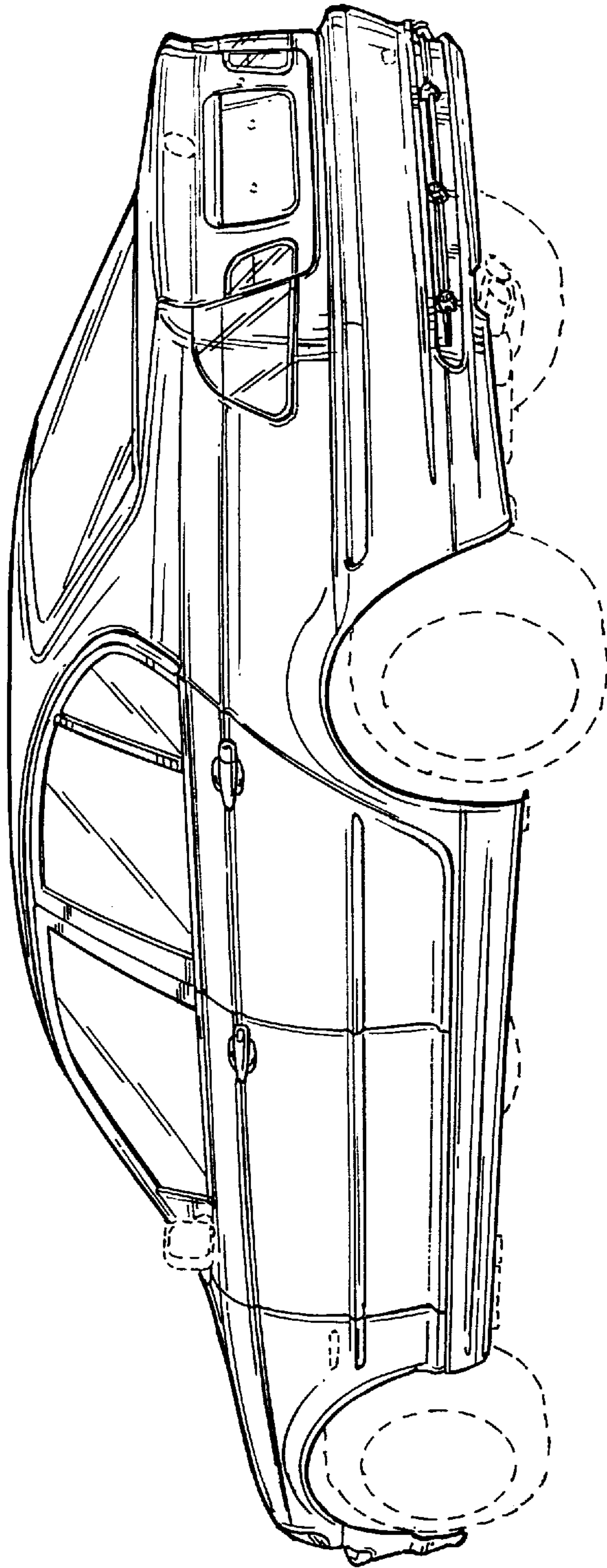


FIG. 6

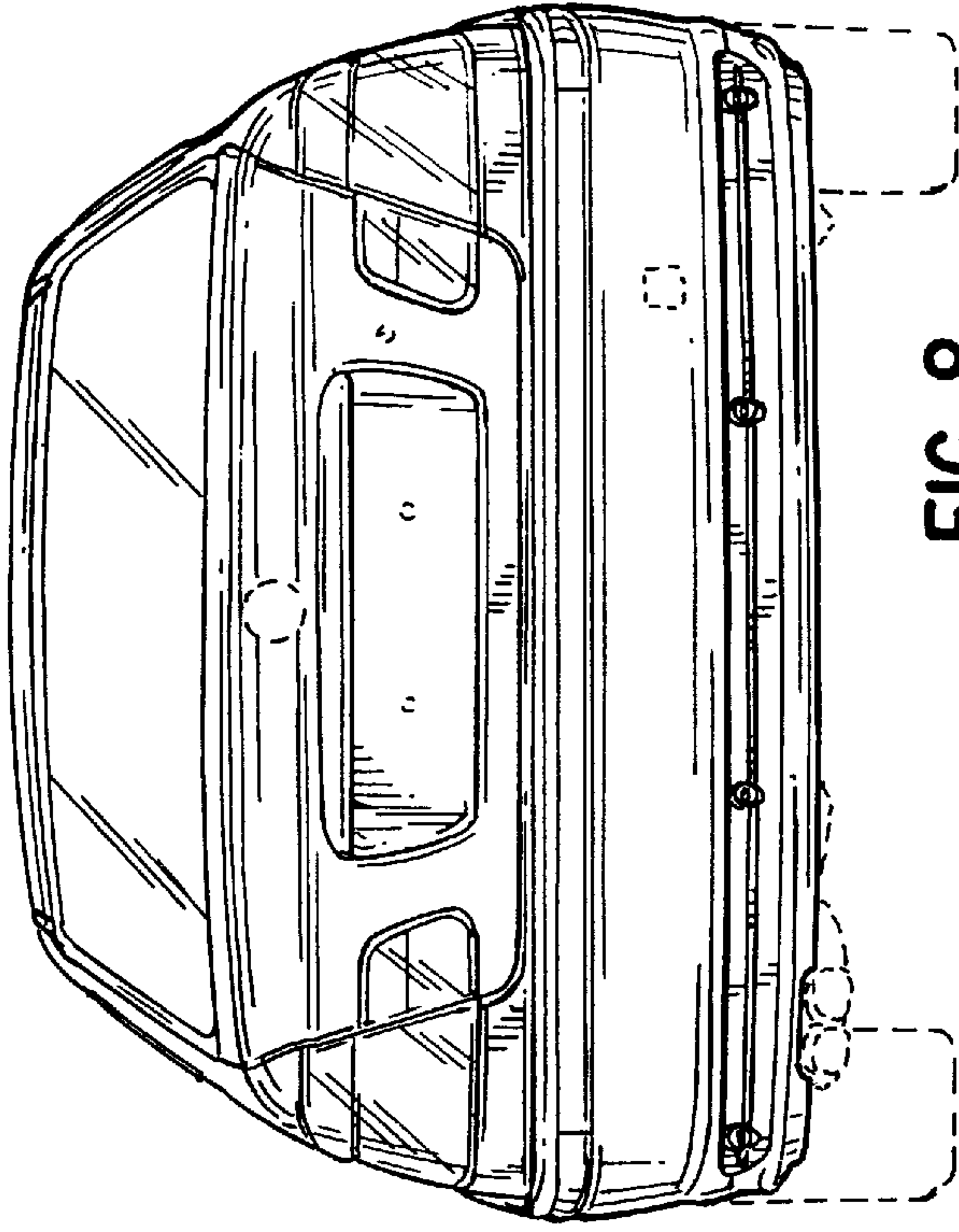


FIG. 8

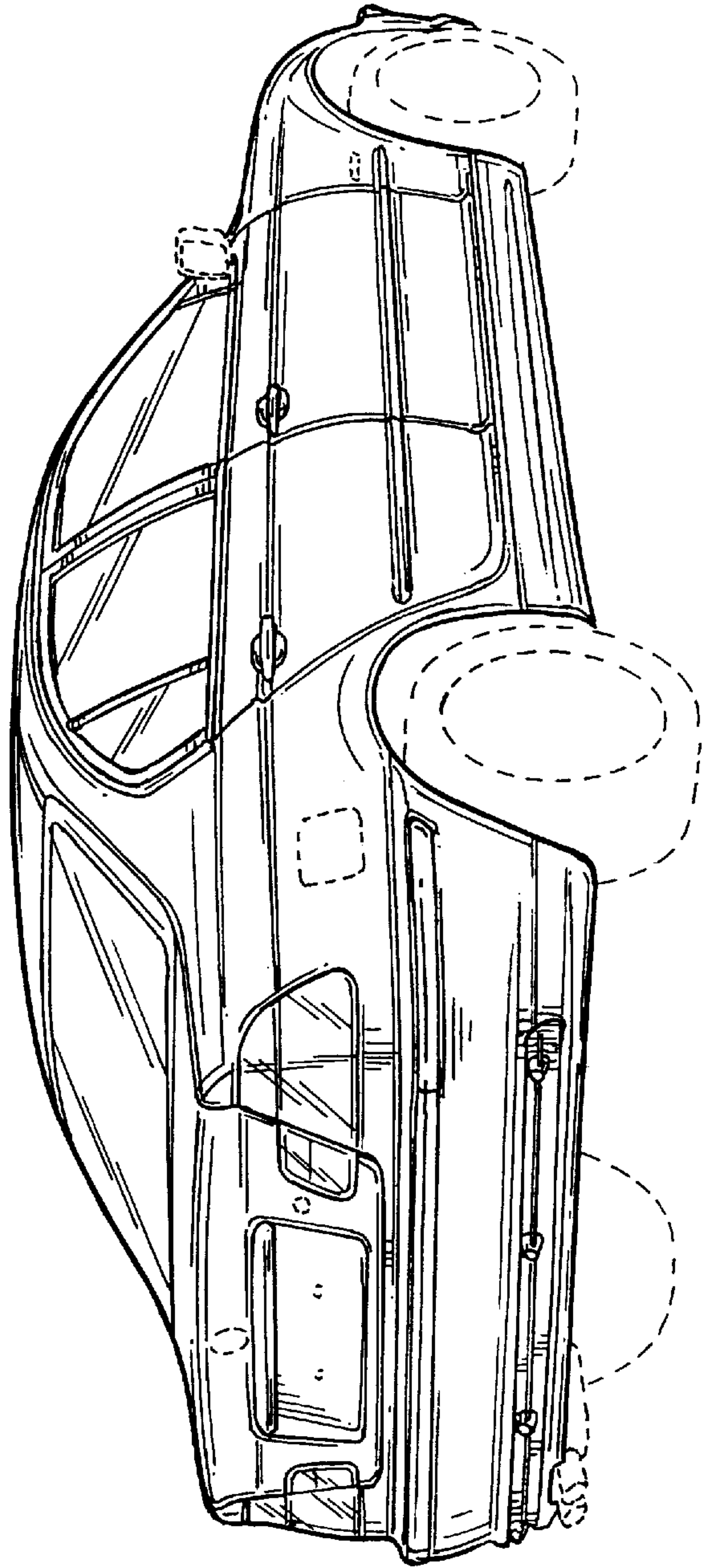


FIG. 7

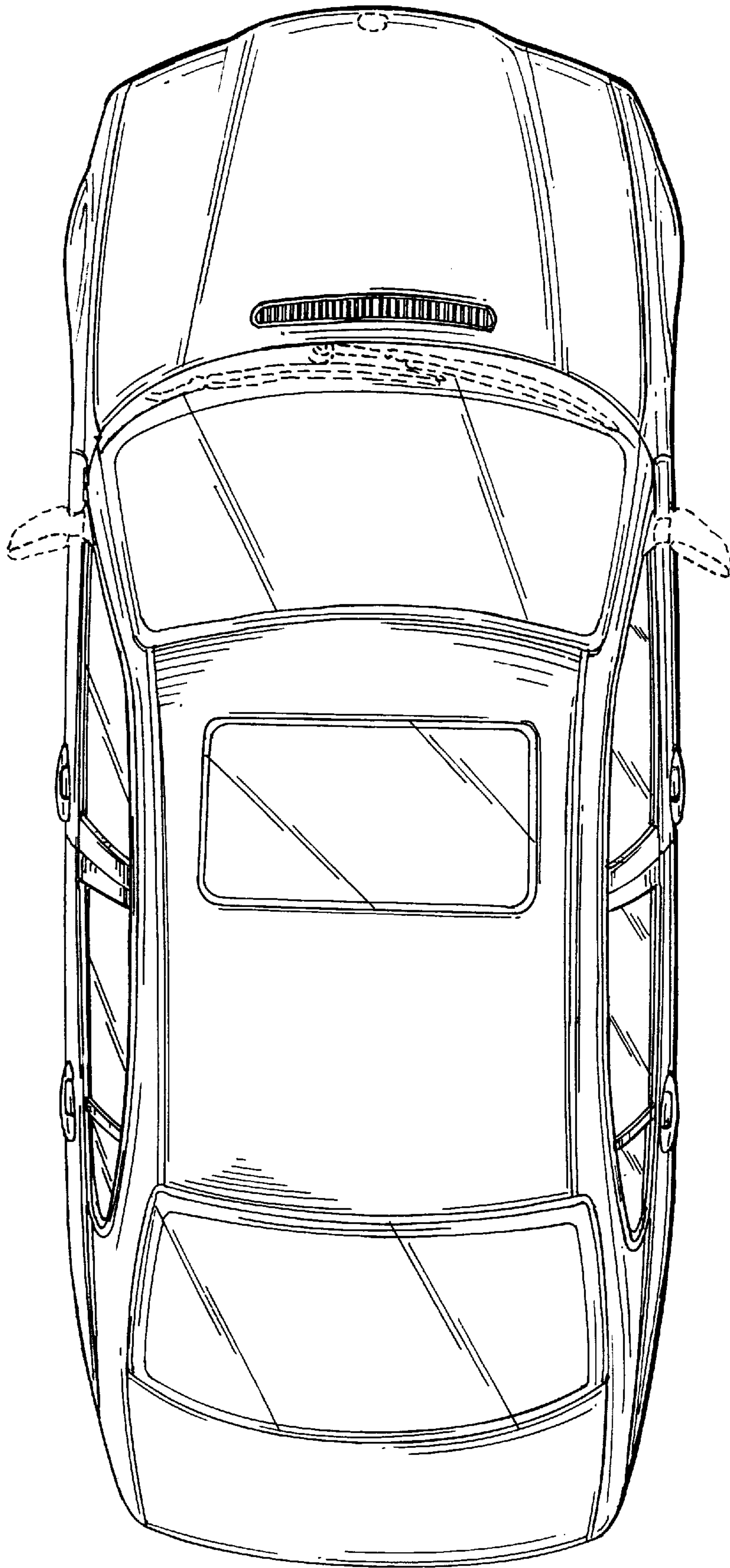


FIG. 9