



US00D406795S

United States Patent [19]

Nagura et al.

[11] Patent Number: **Des. 406,795**

[45] Date of Patent: ****Mar. 16, 1999**

[54] **AUTOMOBILE**

[75] Inventors: **Takashi Nagura; Saburo Nishihata; Naohiro Kitazono**, all of Wako, Japan

[73] Assignee: **Honda Giken Kogyo Kabushiki Kaisha**, Tokyo, Japan

[**] Term: **14 Years**

[21] Appl. No.: **84,719**

[22] Filed: **Mar. 9, 1998**

[30] Foreign Application Priority Data

Sep. 13, 1997 [JP] Japan 9-67714

[51] **LOC (6) Cl.** **12-08**

[52] **U.S. Cl.** **D12/91**

[58] **Field of Search** D12/90-92, 86; 296/185

[56] References Cited

U.S. PATENT DOCUMENTS

- D. 379,945 6/1997 Kawase et al. D12/91
- D. 383,091 9/1997 Sacco et al. D12/91
- D. 391,898 3/1998 Yoshikawa et al. D12/91
- D. 391,899 3/1998 Chibuka et al. D12/91
- D. 392,920 3/1998 Vepluyn et al. D12/91

- D. 396,203 7/1998 Uematsu et al. D12/91
- D. 397,065 8/1998 Uematsu et al. D12/91

FOREIGN PATENT DOCUMENTS

- 2-772987 10/1989 Japan .
- 890489 2/1994 Japan .
- 983901 7/1997 Japan .
- 986866 8/1997 Japan .

Primary Examiner—Melody N. Brown
Attorney, Agent, or Firm—Nikaido, Marmelstein, Murray & Oram LLP

[57] CLAIM

The ornamental design for an automobile, as shown and described.

DESCRIPTION

FIG. 1 is a left-front perspective view of an automobile showing our new design;
 FIG. 2 is a left-rear perspective view thereof;
 FIG. 3 is a front view thereof;
 FIG. 4 is a rear view thereof;
 FIG. 5 is a left side view thereof;
 FIG. 6 is a right side view thereof; and,
 FIG. 7 is a top plan view thereof.

1 Claim, 6 Drawing Sheets

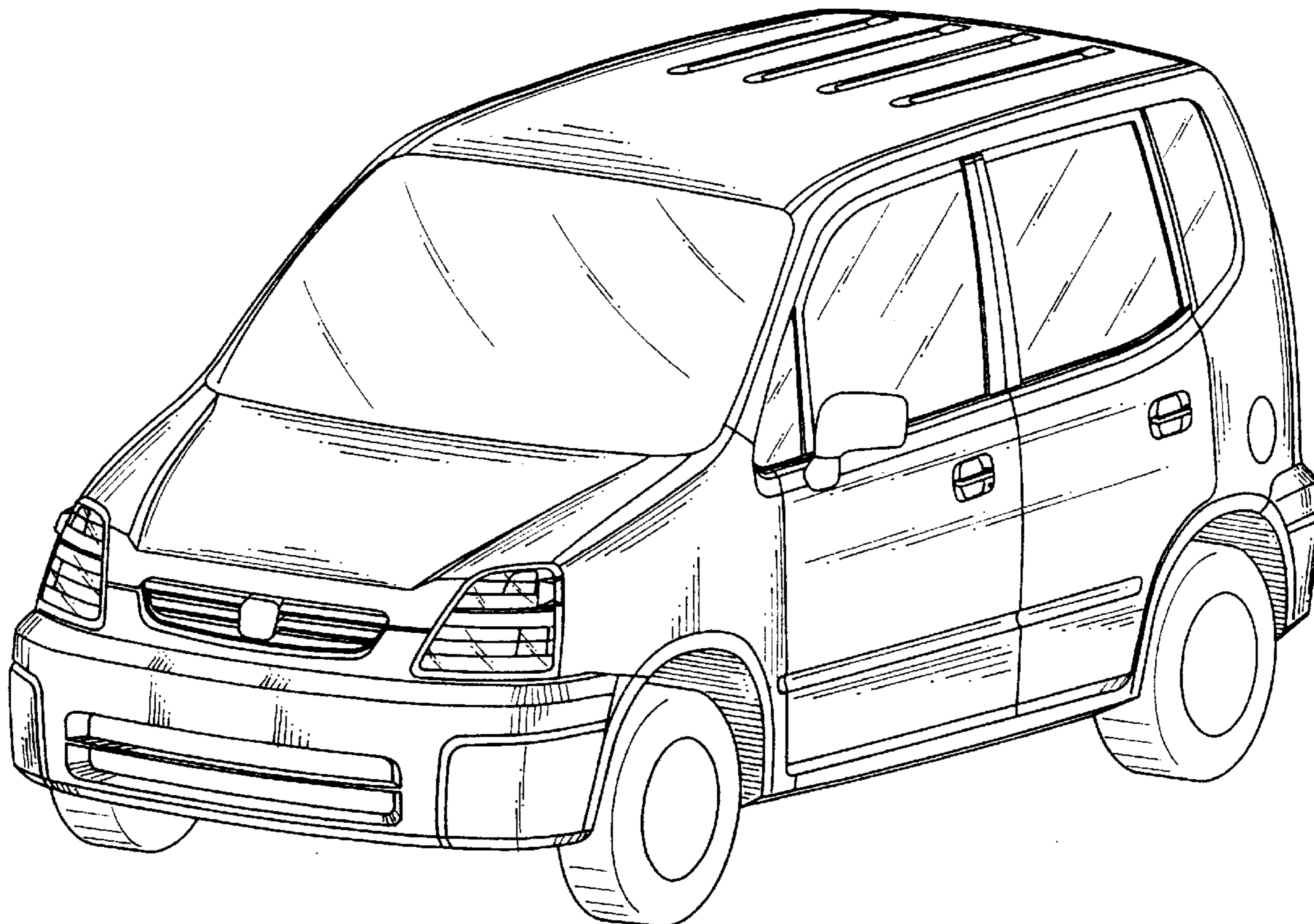


FIG. 1

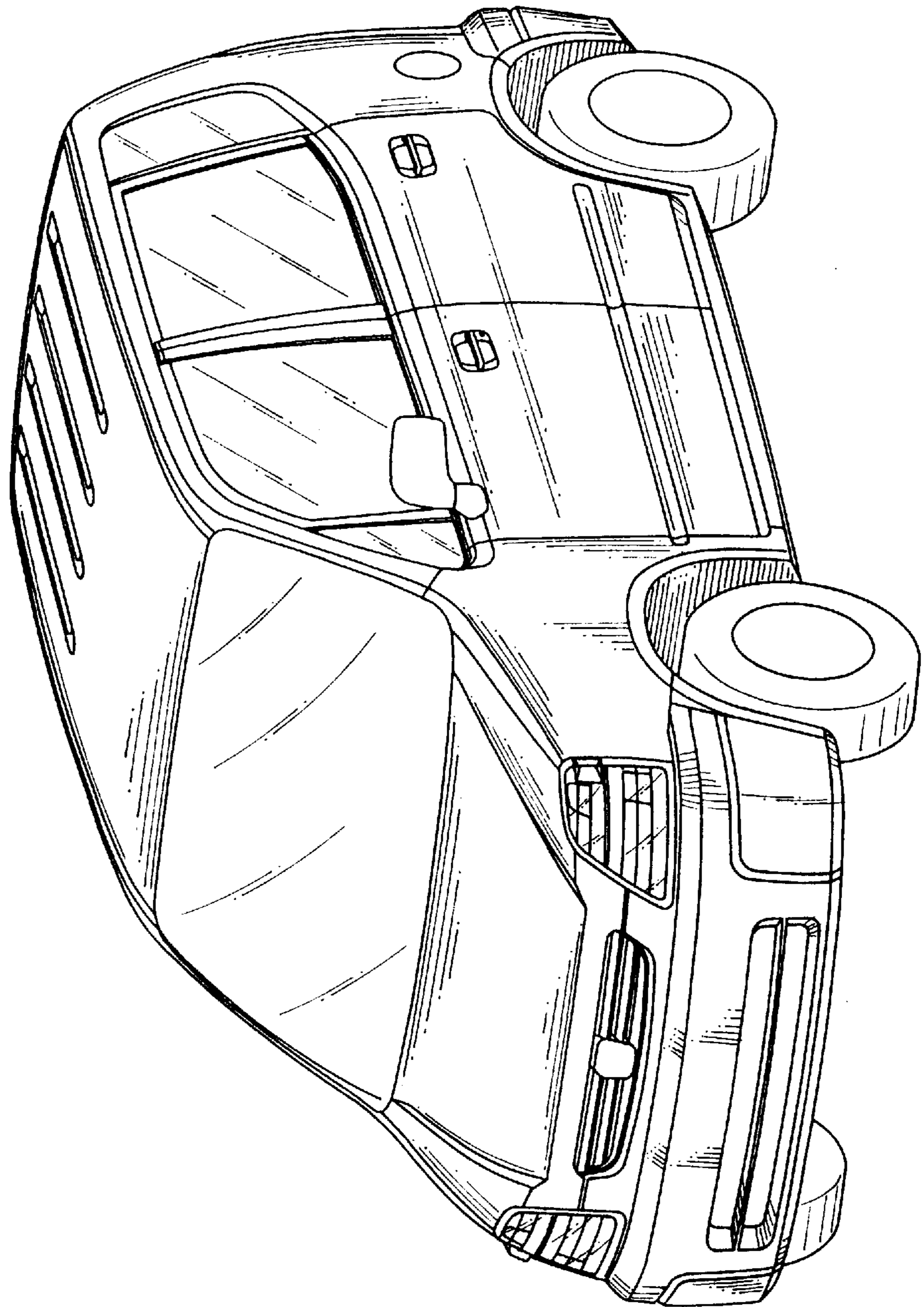


FIG. 2

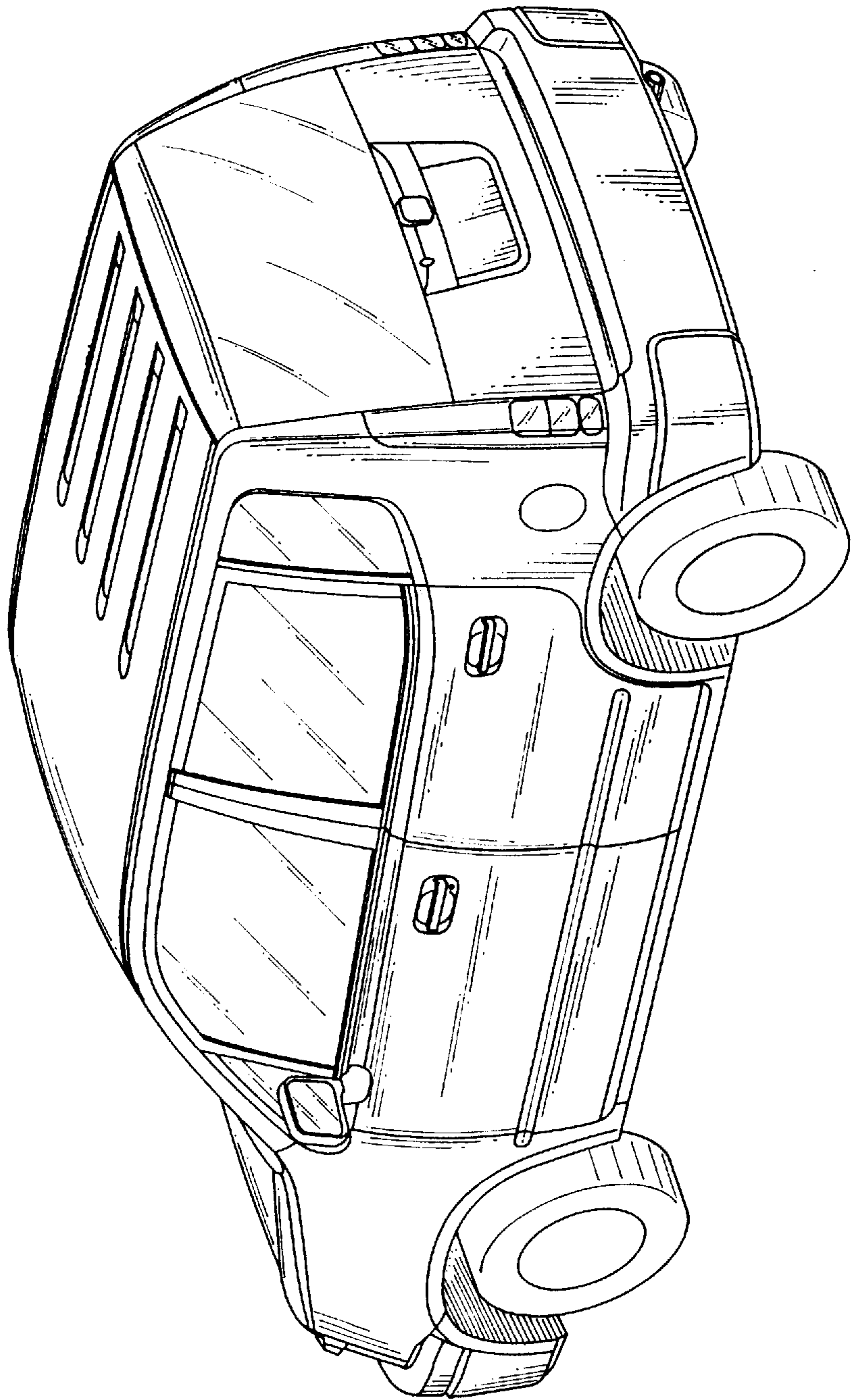


FIG. 4

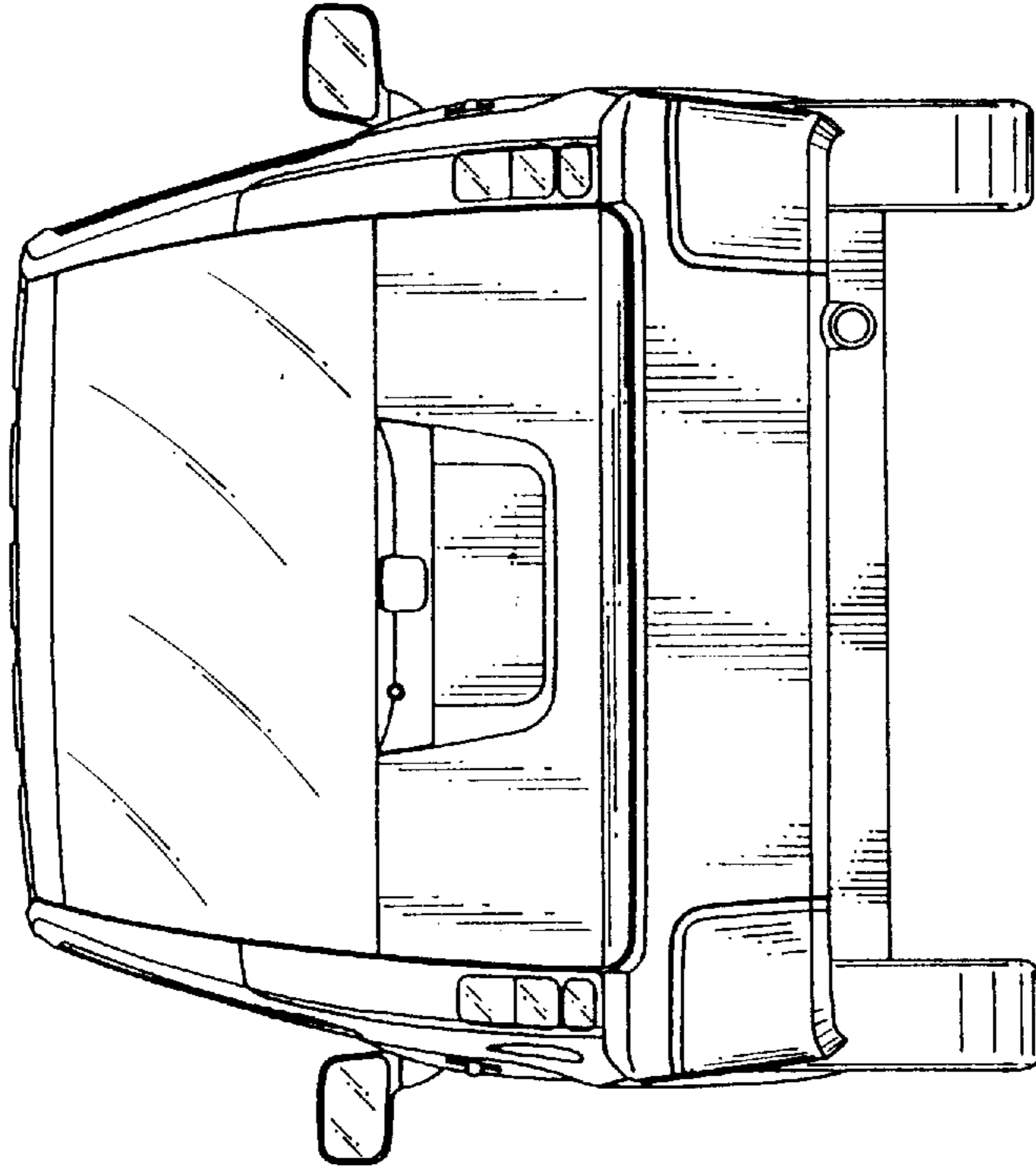


FIG. 3

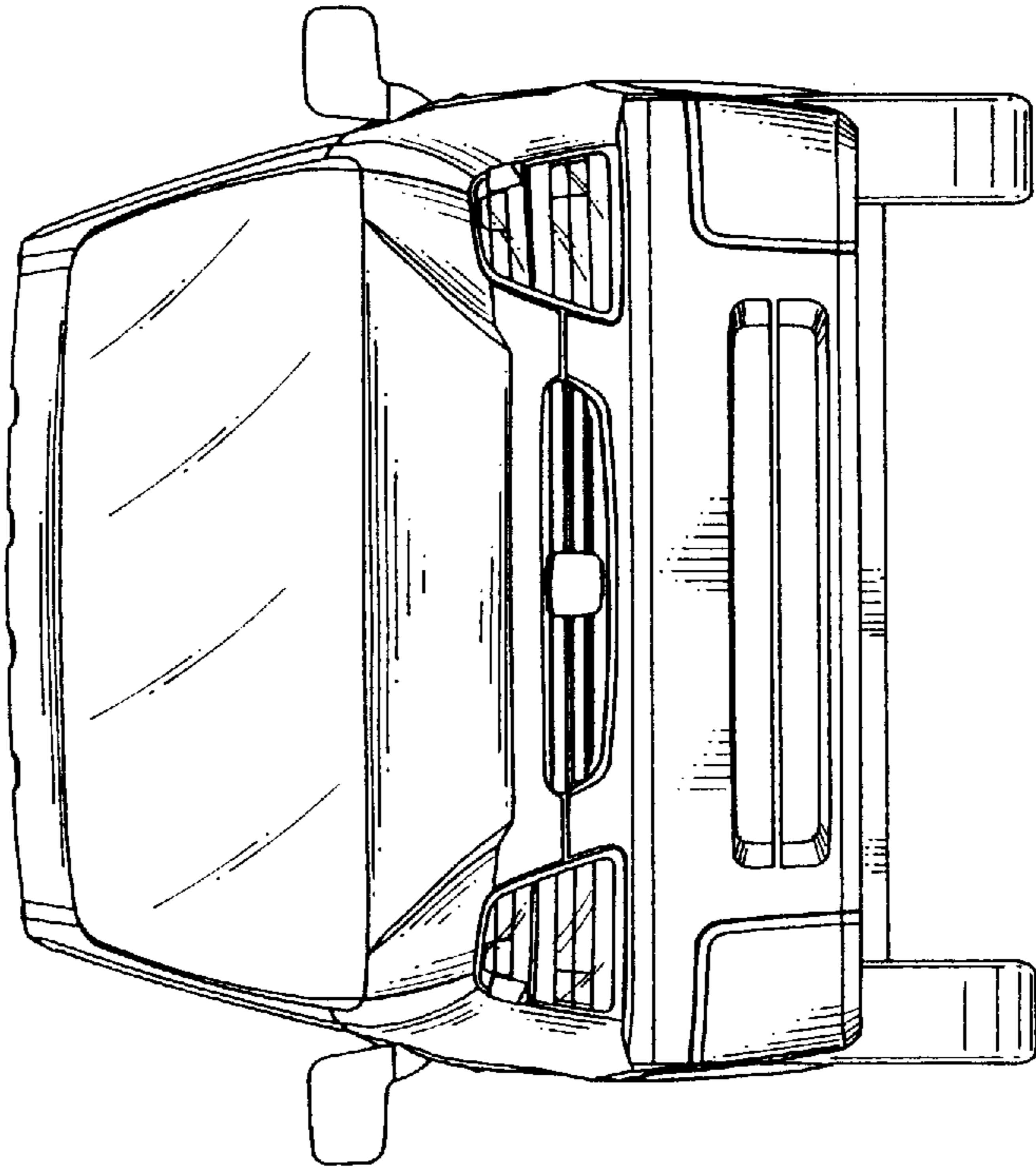


FIG. 5

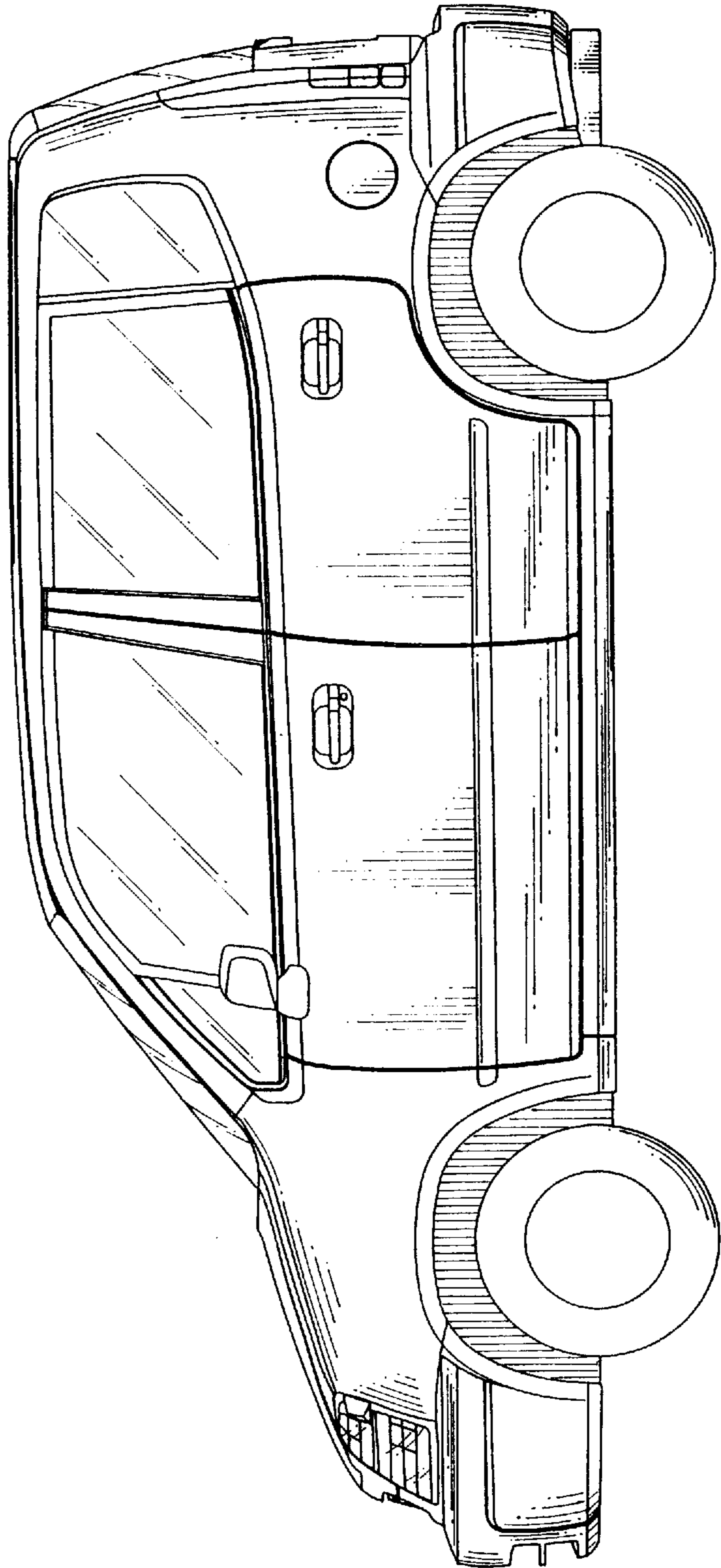


FIG. 6

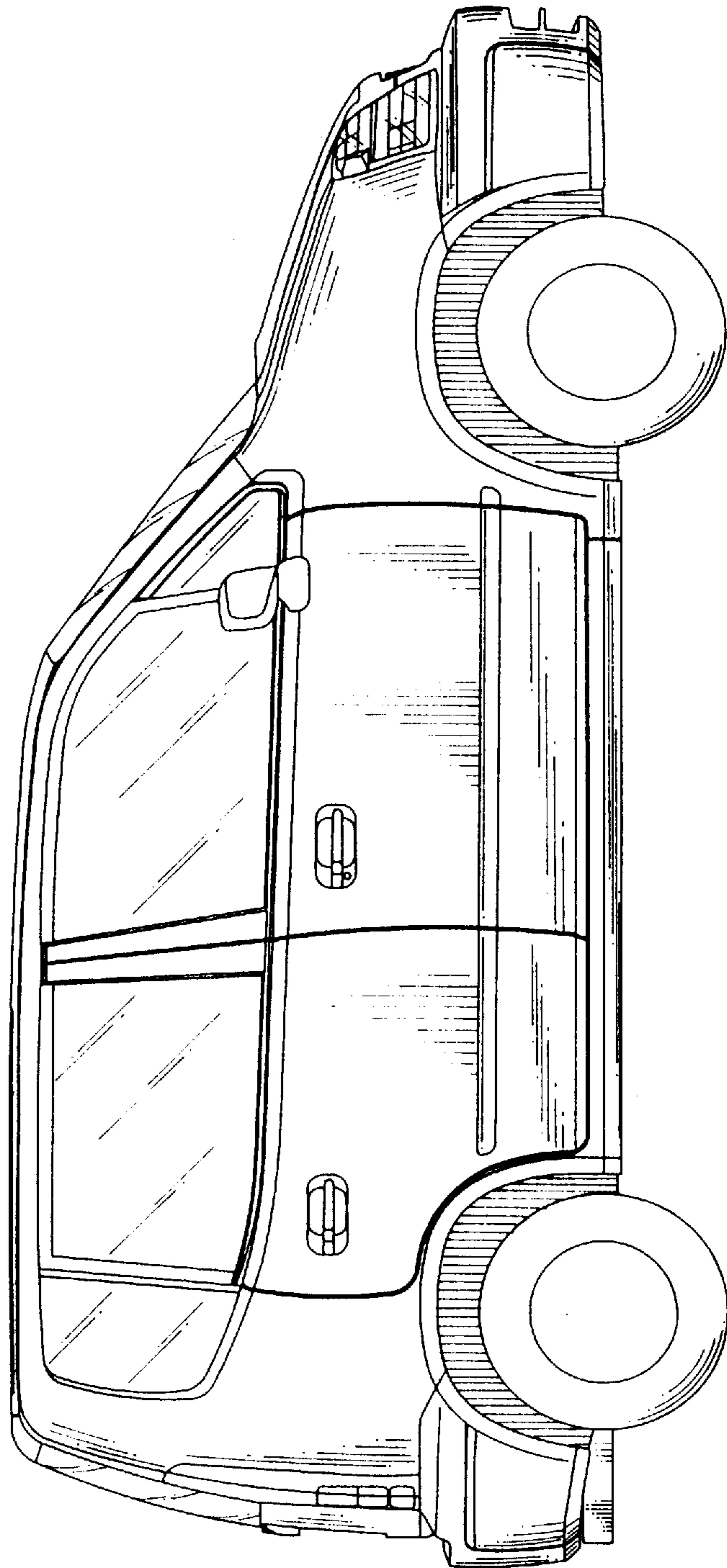


FIG. 7

