



US00D406781S

**United States Patent** [19]  
**Williams**

[11] **Patent Number: Des. 406,781**

[45] **Date of Patent: \*\*Mar. 16, 1999**

[54] **JACKET SAFETY FLAG**

D. 390,489 2/1998 Behrens ..... D10/109

[76] Inventor: **Timothy M. Williams**, 2811 Olive St.,  
Bellevue, Nebr. 68147

*Primary Examiner*—Marcus A. Jackson  
*Attorney, Agent, or Firm*—Douglas E. Mackenzie

[\*\*] Term: **14 Years**

[57] **CLAIM**

[21] Appl. No.: **89,619**

The ornamental design for a jacket safety flag, as shown and described.

[22] Filed: **Jun. 18, 1998**

**DESCRIPTION**

[51] **LOC (6) Cl.** ..... **10-05**

[52] **U.S. Cl.** ..... **D10/109**

[58] **Field of Search** ..... D10/109, 110,  
D10/111; D11/165, 166, 181, 182, 183;  
116/28 R, 29, 30, 173, 174, 175

FIG. 1 is a front elevational view of the jacket safety flag showing my new design;

FIG. 2 is a rear elevational view thereof;

FIG. 3 is a left side elevational view thereof;

FIG. 4 is a right side elevational view thereof;

FIG. 5 is a top plan view thereof;

FIG. 6 is a bottom plan view thereof; and,

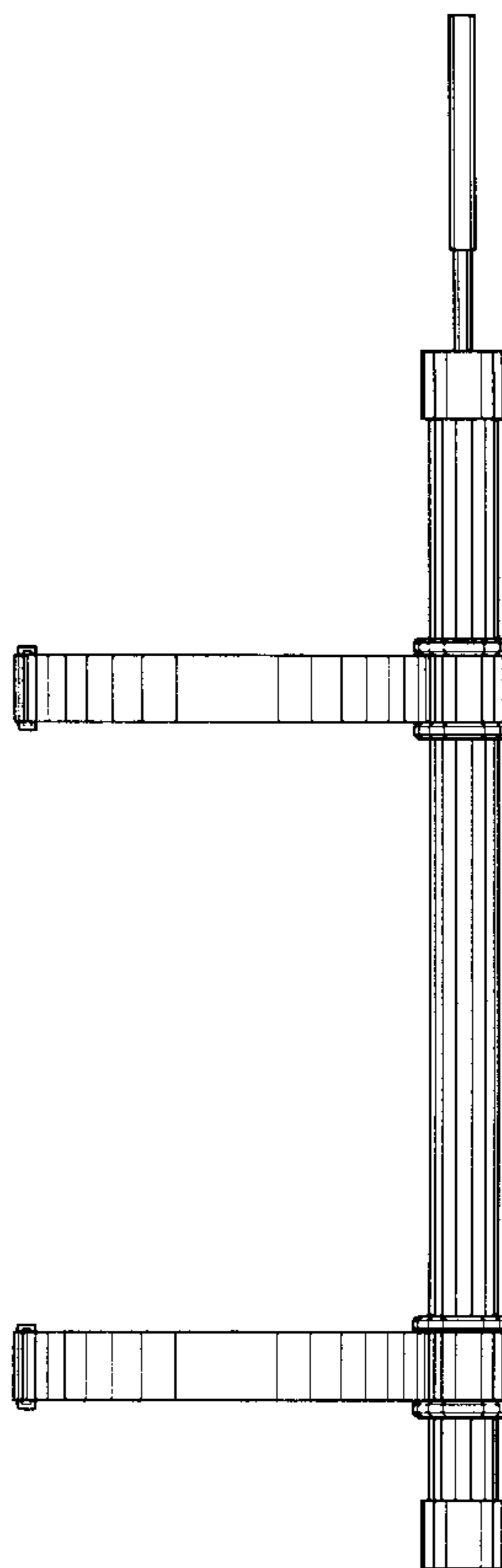
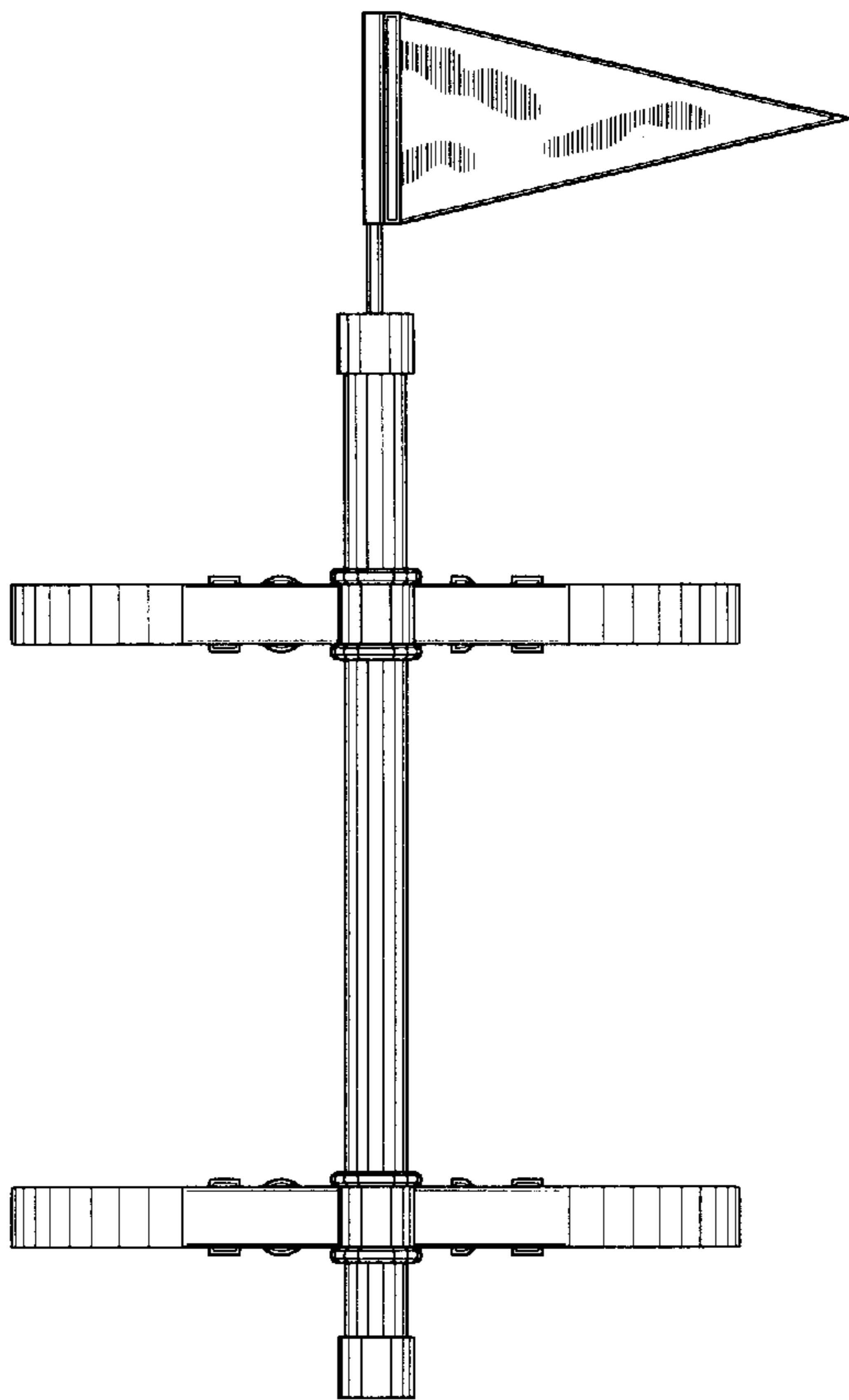
FIG. 7 is a cross sectional view taken along line 7—7 of FIG. 5.

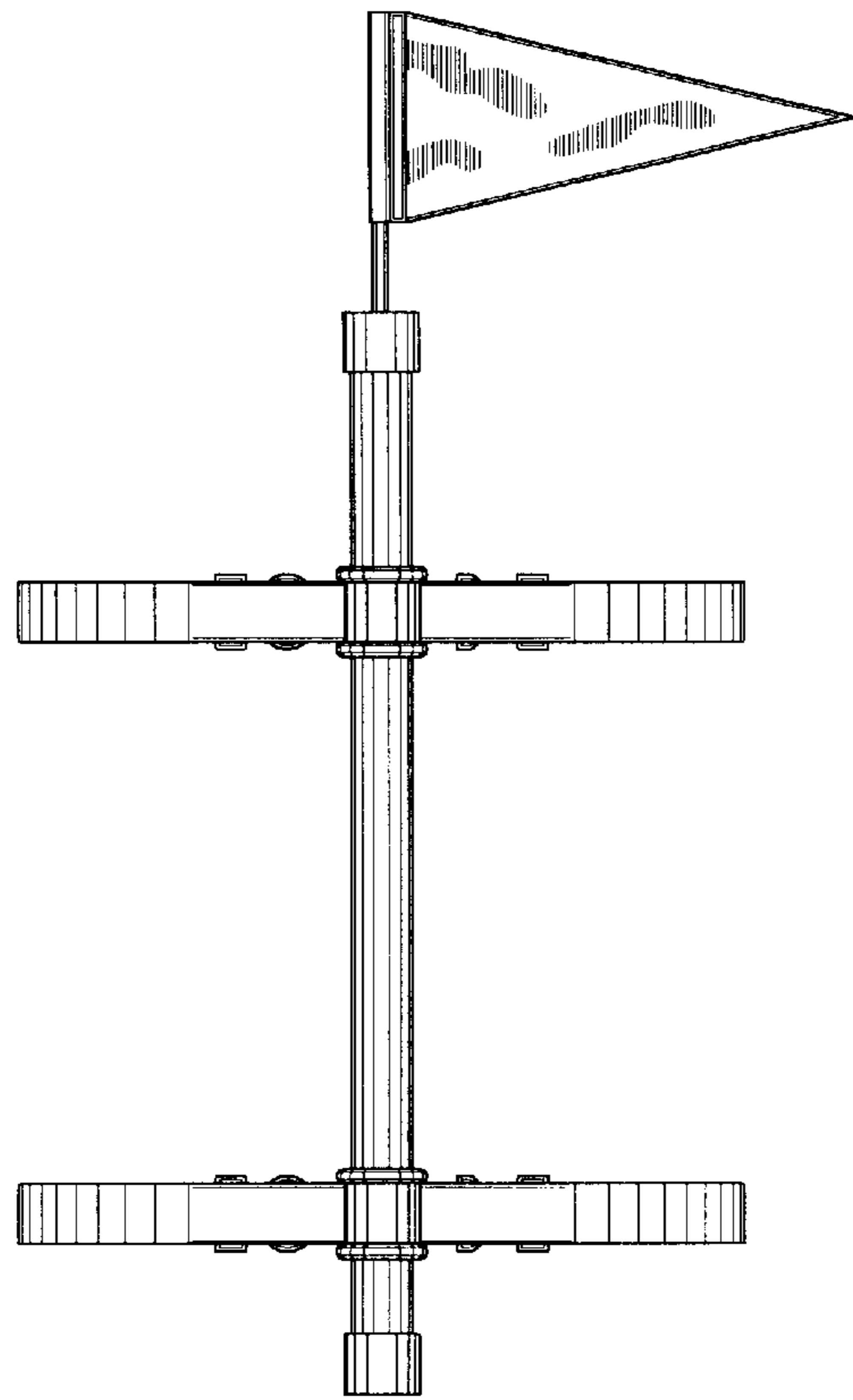
[56] **References Cited**

**U.S. PATENT DOCUMENTS**

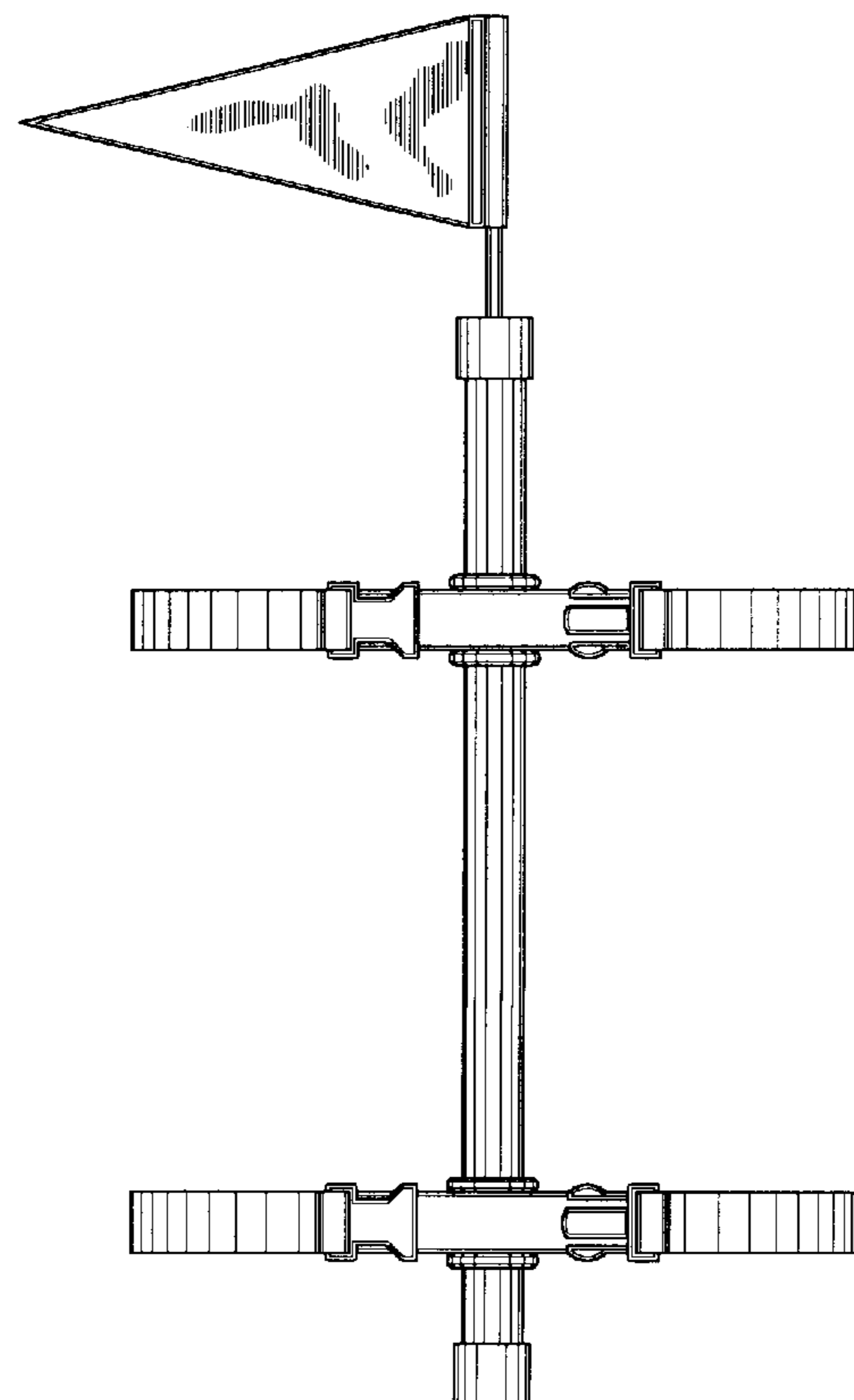
- D. 211,076 5/1968 Speridon ..... D10/109
- D. 248,284 6/1978 Bowser ..... D10/109
- D. 277,808 3/1985 Nichols ..... D10/109

**1 Claim, 4 Drawing Sheets**

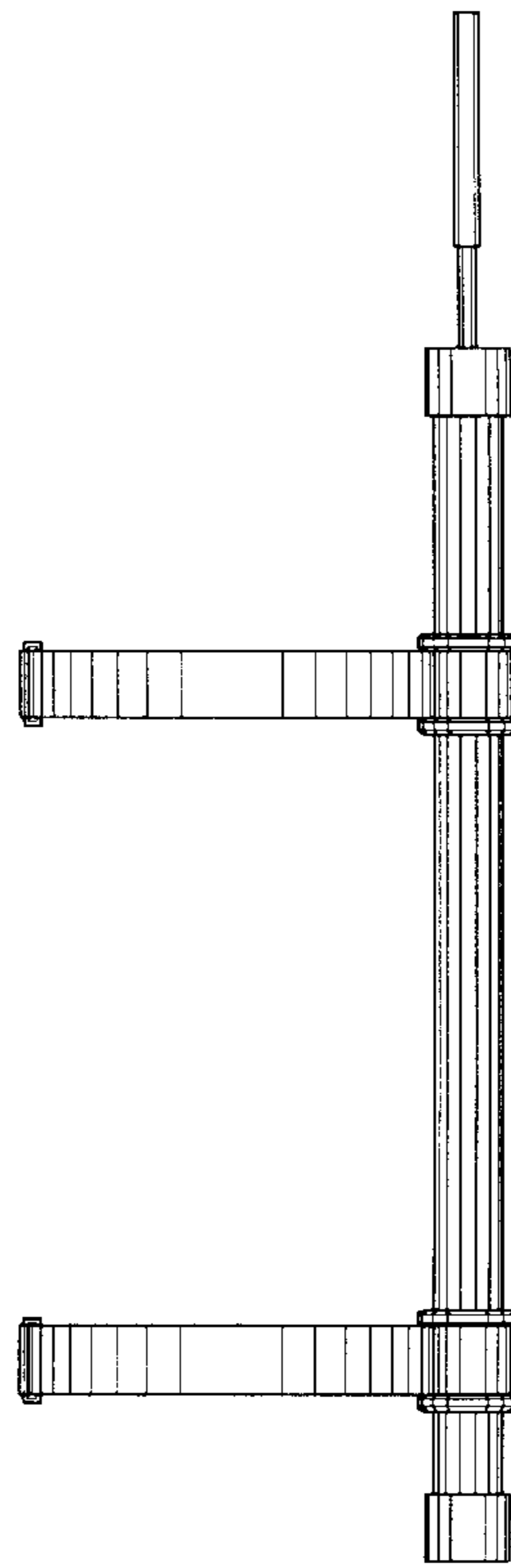




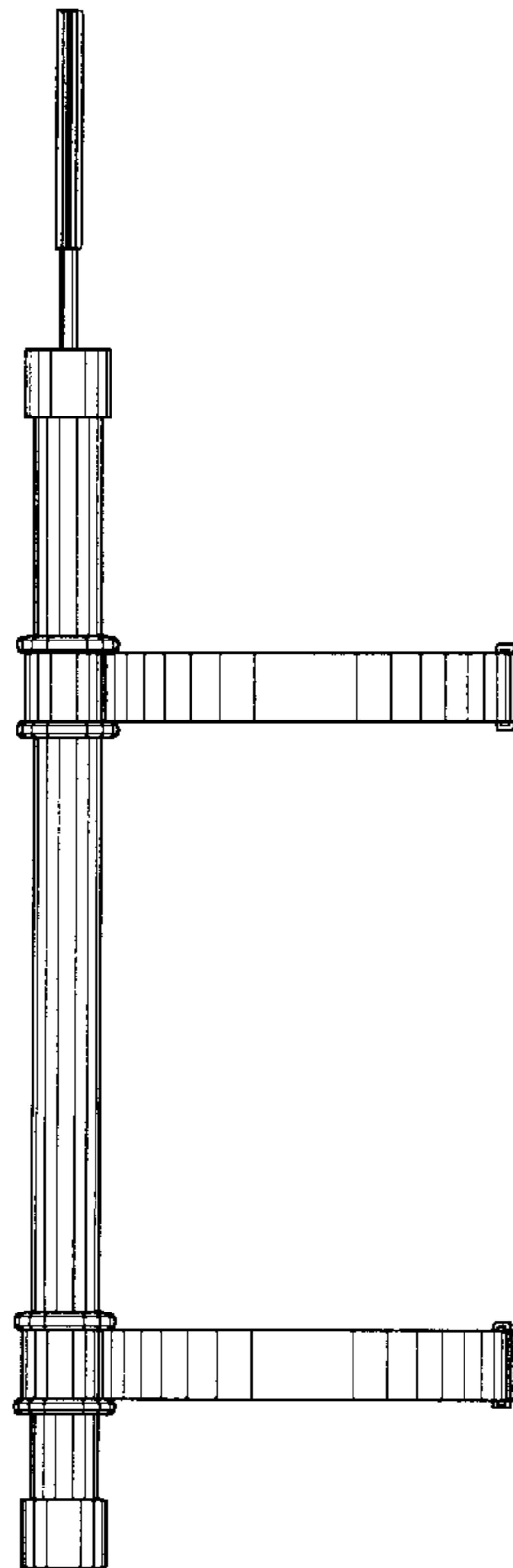
*Fig. 1*



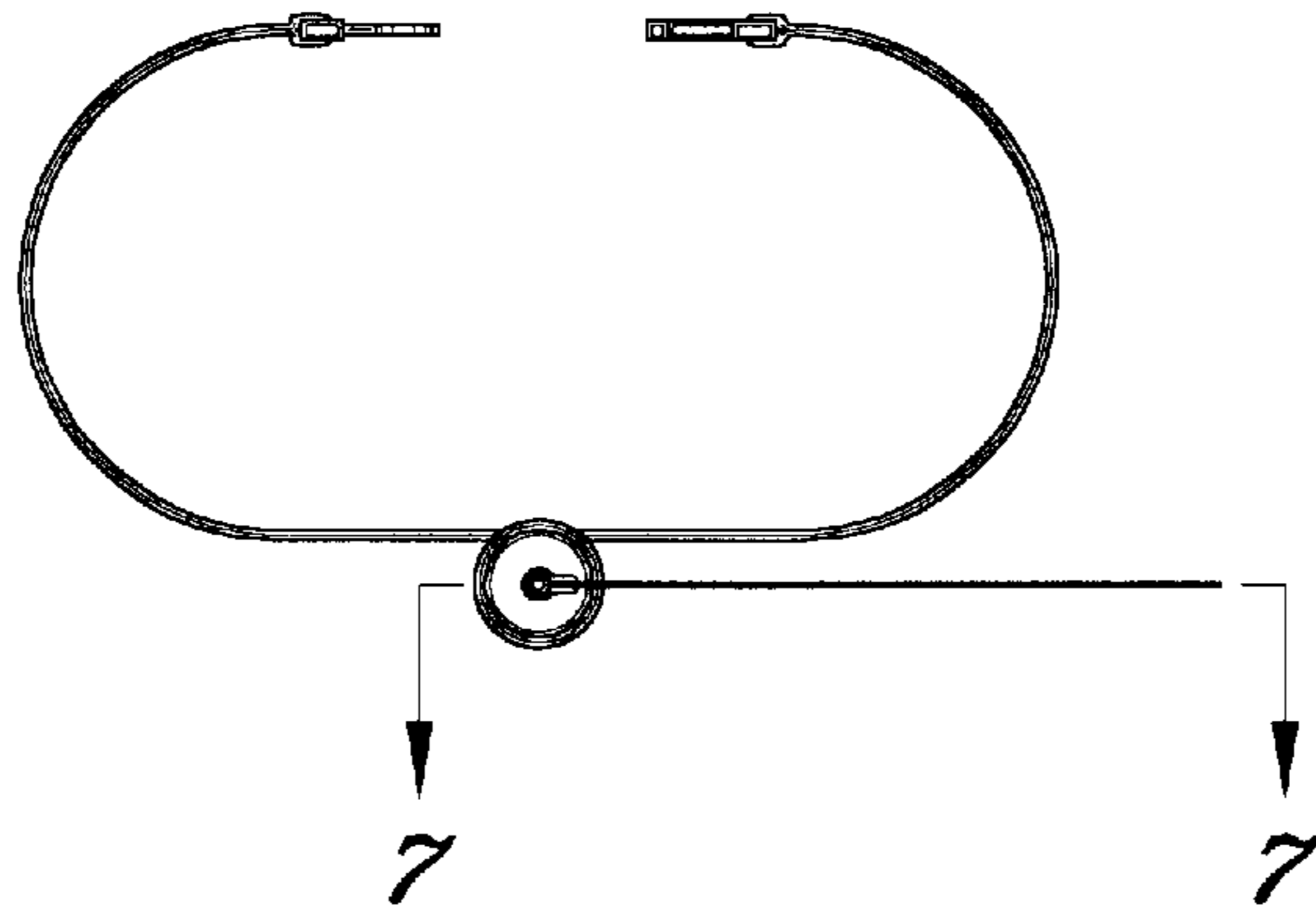
*Fig. 2*



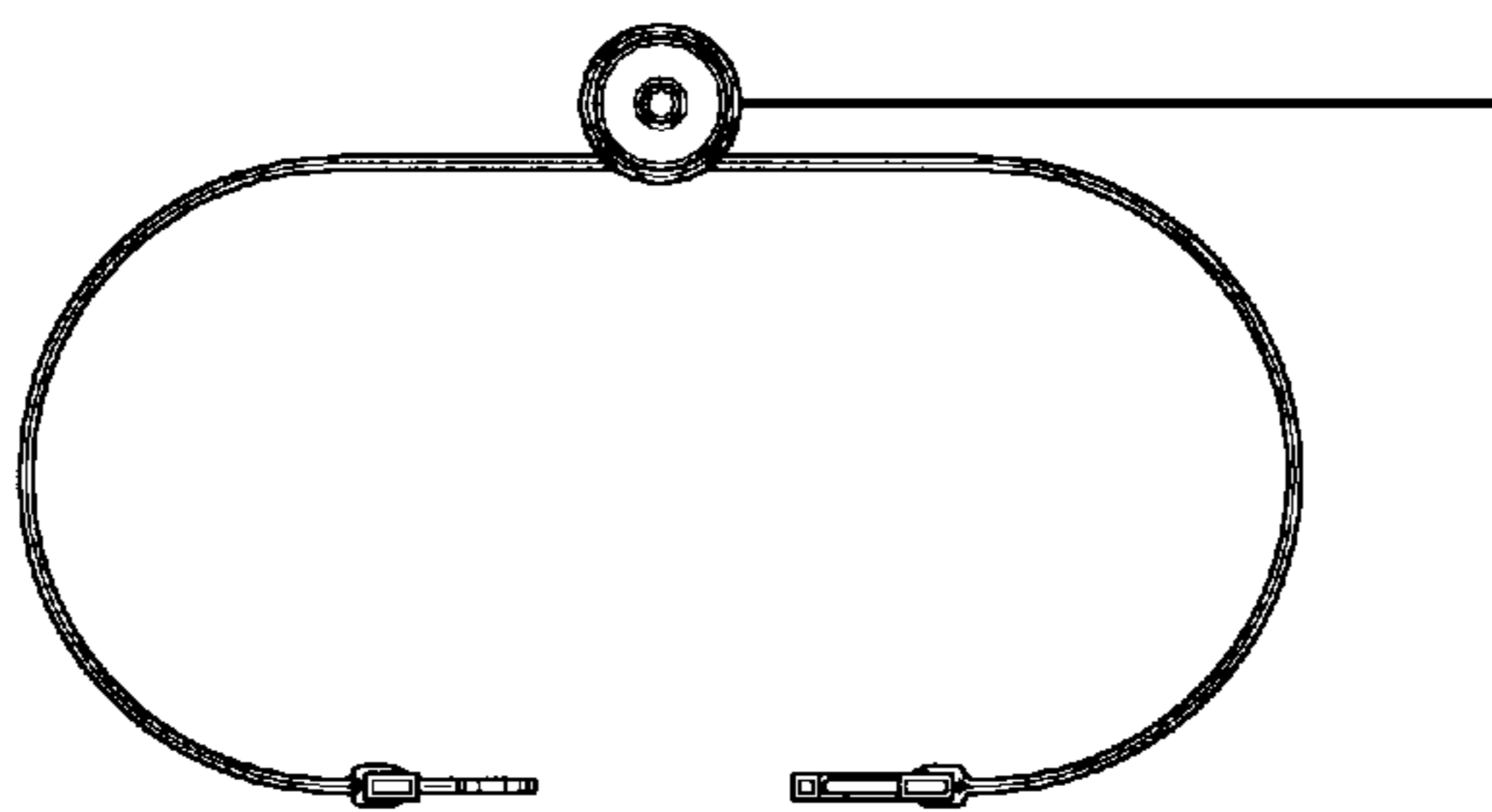
*Fig. 3*



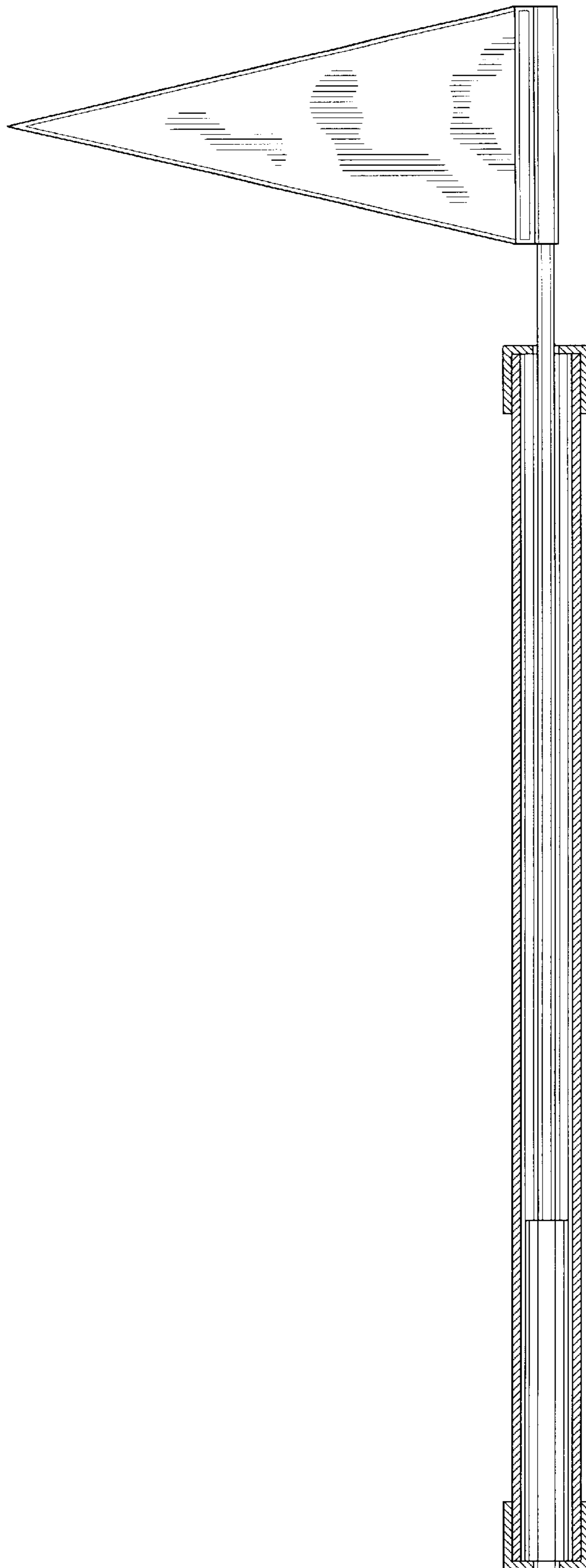
*Fig. 4*



*Fig. 5*



*Fig. 6*



*Fig. 7*