



US00D406778S

United States Patent [19]

[11] Patent Number: **Des. 406,778**

Selby et al.

[45] Date of Patent: ****Mar. 16, 1999**

[54] TEST UNIT FOR VOLATILIZATION AND COLLECTION OF OIL

[75] Inventors: **Theodore W. Selby**, Midland; **Joseph S. Trombley**, Auburn; **James R. Cotter**, Bay City; **Marc J. Hildebrandt**, Midland; **Gregory C. Miller**, Coleman, all of Mich.

[73] Assignee: **Tannas Co.**, Midland, Mich.

[**] Term: **14 Years**

[21] Appl. No.: **85,603**

[22] Filed: **Mar. 26, 1998**

Related U.S. Application Data

[63] Continuation-in-part of Ser. No. 893,632, Jul. 11, 1997, which is a continuation-in-part of Ser. No. 773,342, Dec. 26, 1996, abandoned.

[51] LOC (6) Cl. **10-04**

[52] U.S. Cl. **D10/96**

[58] Field of Search D10/96; 73/53.01-54.43, 73/540; 436/6

[56] References Cited

U.S. PATENT DOCUMENTS

1,120,050	12/1914	Goggin	312/319.1	X
1,526,062	2/1925	Golden	312/237	X
2,901,586	8/1959	Krusik	312/209	X
3,284,148	11/1966	Ramniceanu	312/209	
3,525,593	8/1970	Thompson	312/209	X
3,584,927	6/1971	Ott et al.	312/209	X
3,603,550	9/1971	Bryd	248/313	
3,874,754	4/1975	Saunders et al.	312/209	

4,002,382	1/1977	Wolf et al.	312/209
4,506,775	3/1985	LeBron et al.	194/249
4,784,360	11/1988	Mok	248/313
4,828,119	5/1989	Pingelton	211/59.3
4,962,799	10/1990	Ming-Tang	144/286 A
5,016,467	5/1991	Marcec et al.	73/54.33
5,142,900	9/1992	Duke	73/54.39

OTHER PUBLICATIONS

Selby, T.W., and Reichenbach, E.A., *Proceedings of the International Tribology Conference*, "Engine Oil Volatility Studies—Generation of Phosphorus," Yokohama, Japan, 1995.

Primary Examiner—Antoine Duval Davis
Attorney, Agent, or Firm—Christopher John Rudy

[57] CLAIM

The ornamental design for a test unit for volatilization and collection of oil, as shown and described.

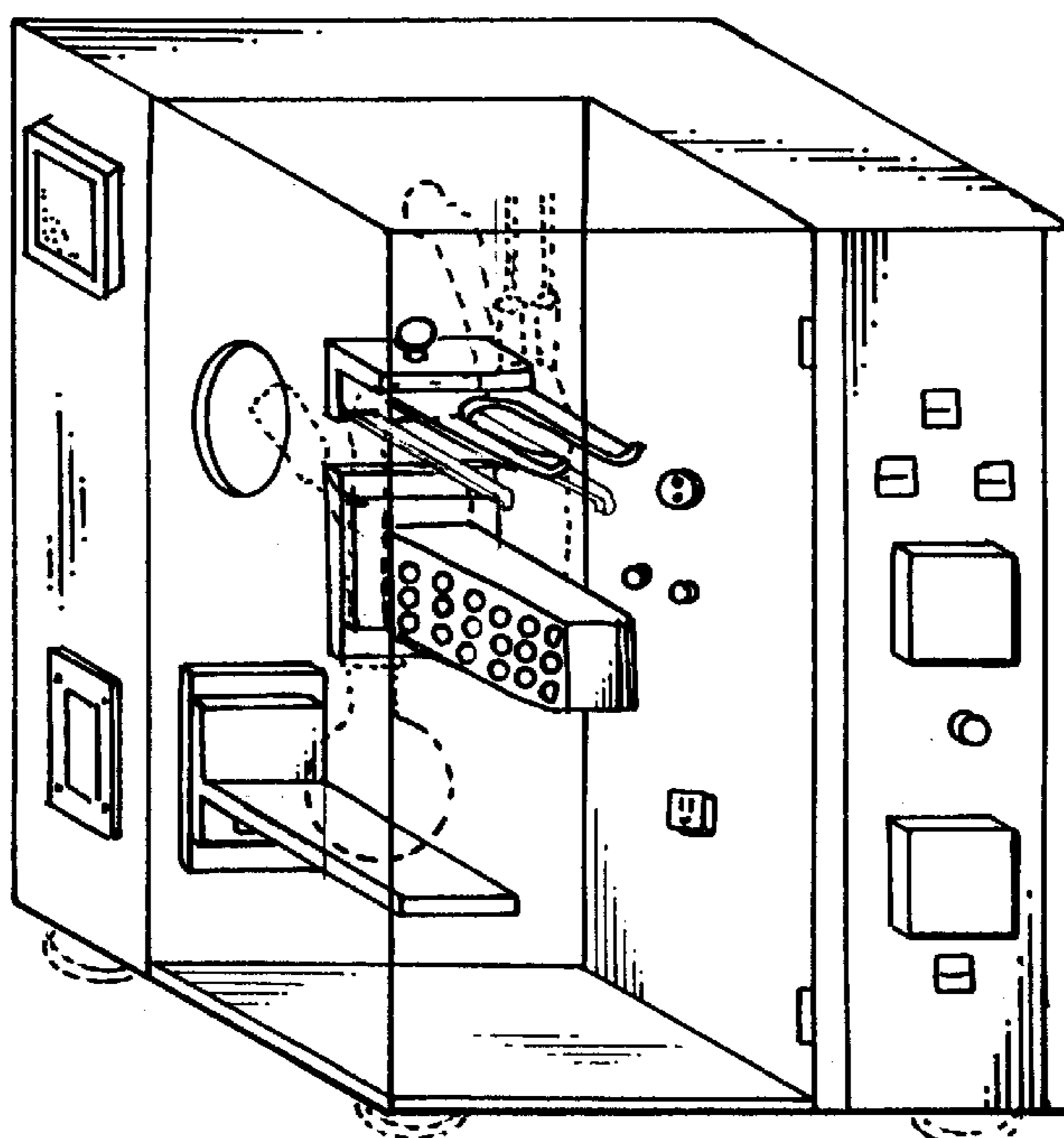
DESCRIPTION

FIG. 1 is a perspective view of a test unit for volatilization and collection of oil, showing our new design; FIG. 2 is a front view thereof; FIG. 3 is a left side view thereof; FIG. 4 is a right side view thereof; FIG. 5 is a back view thereof; FIG. 6 is a top view thereof; and, FIG. 7 is a bottom view thereof.

A see-through, swinging shield encloses the inset work space.

The broken line showing is for illustrative purposes only and forms no part of the claimed design.

1 Claim, 2 Drawing Sheets



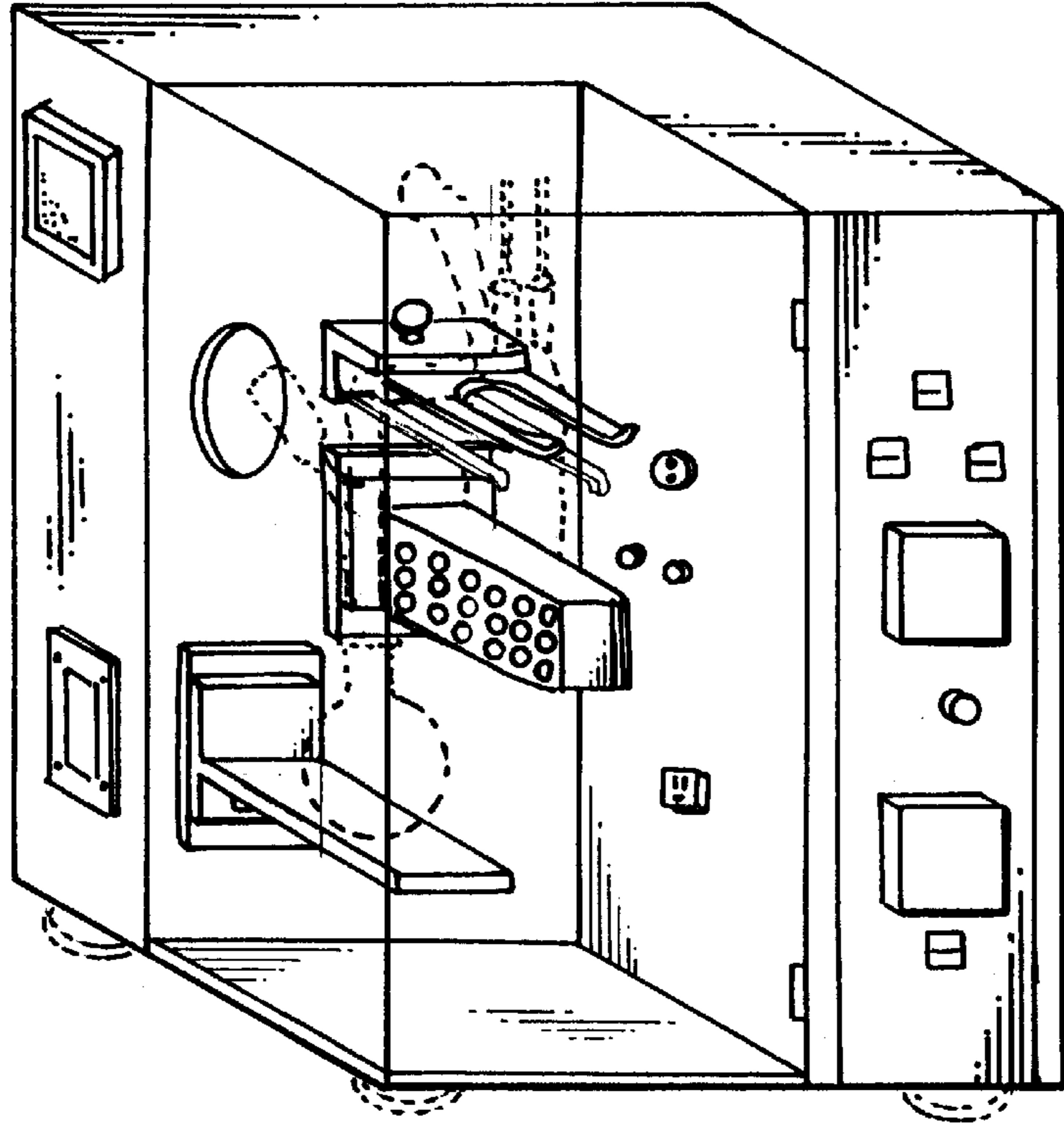


Fig. 1

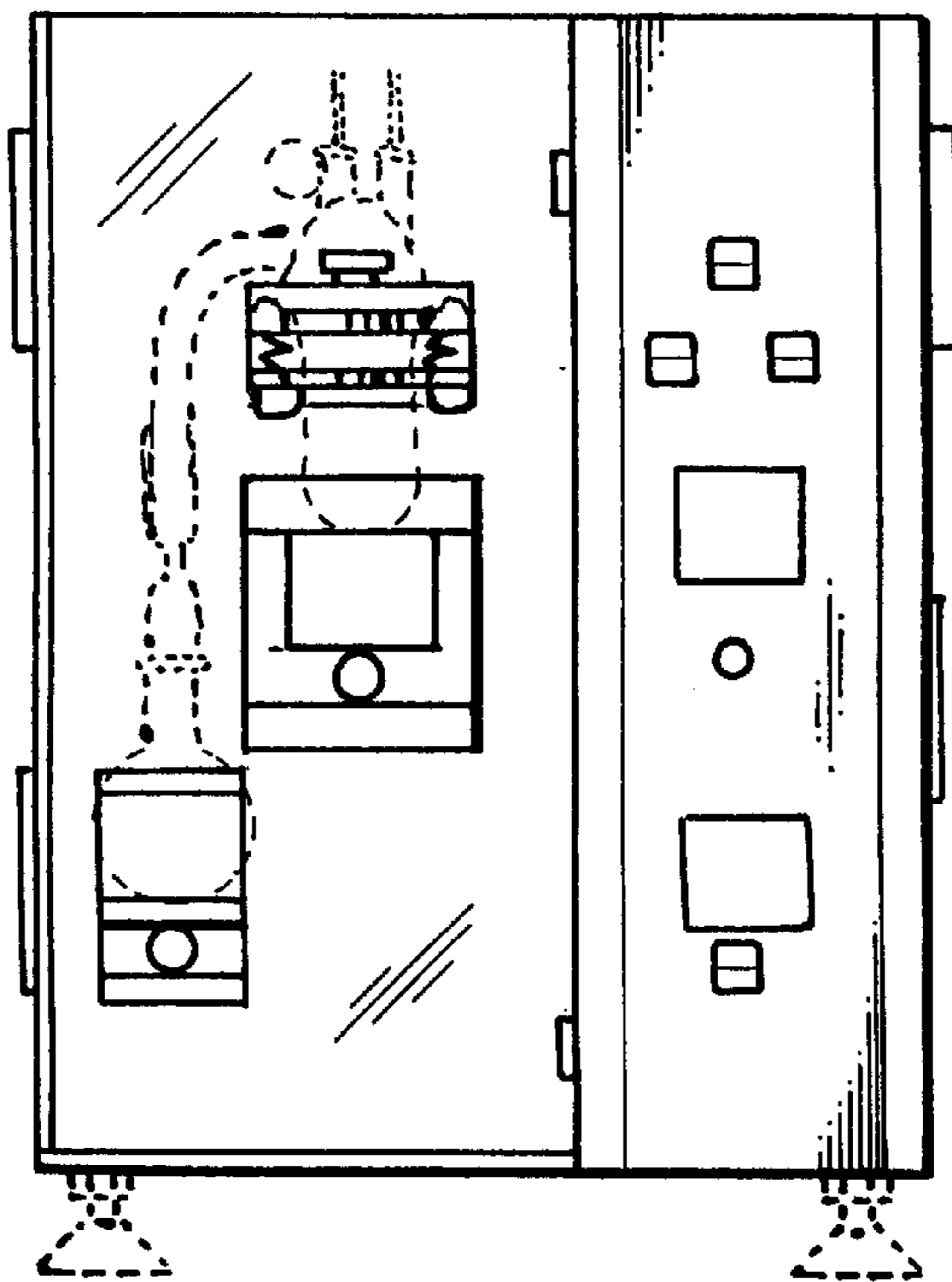


Fig. 2

Fig. 4

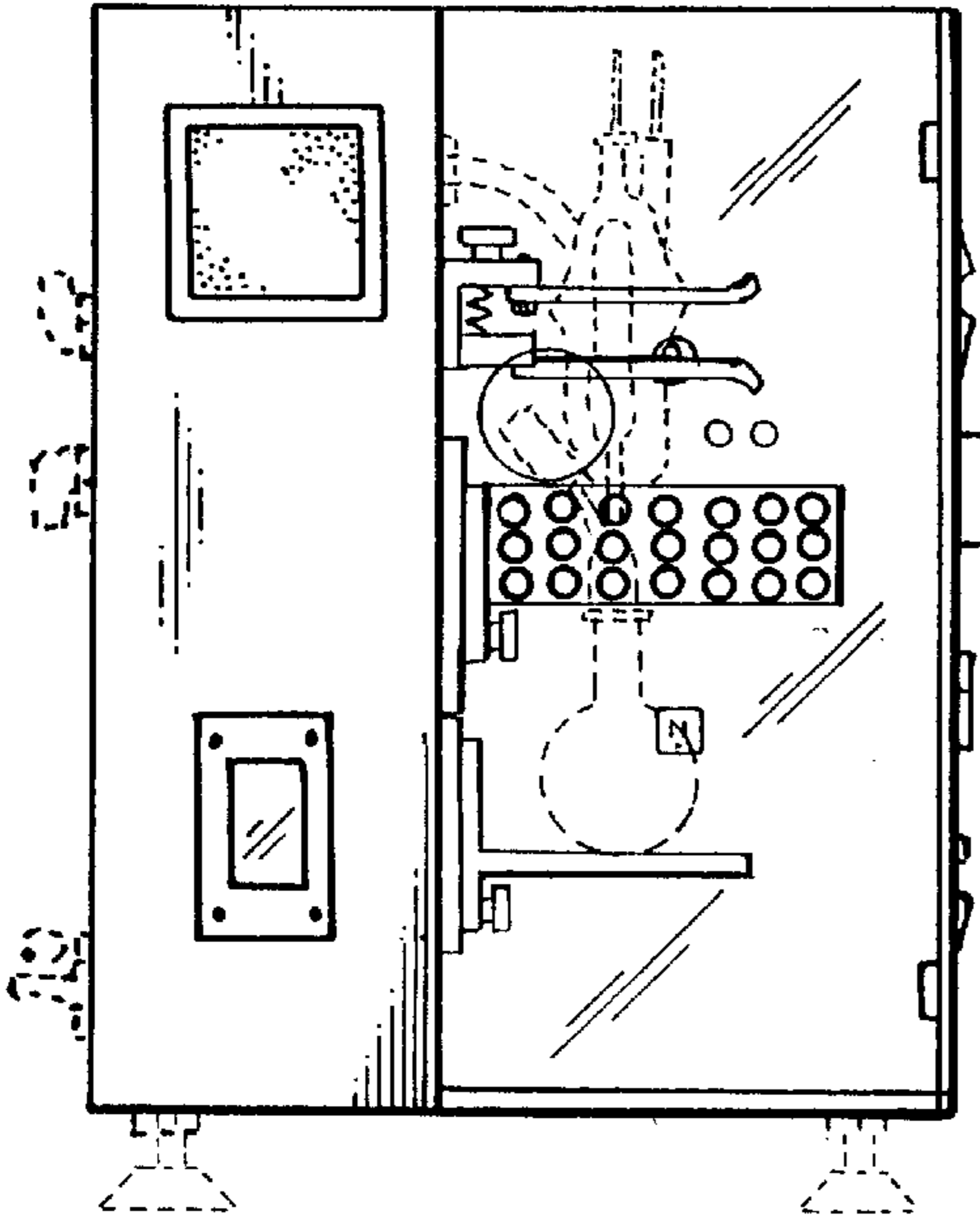
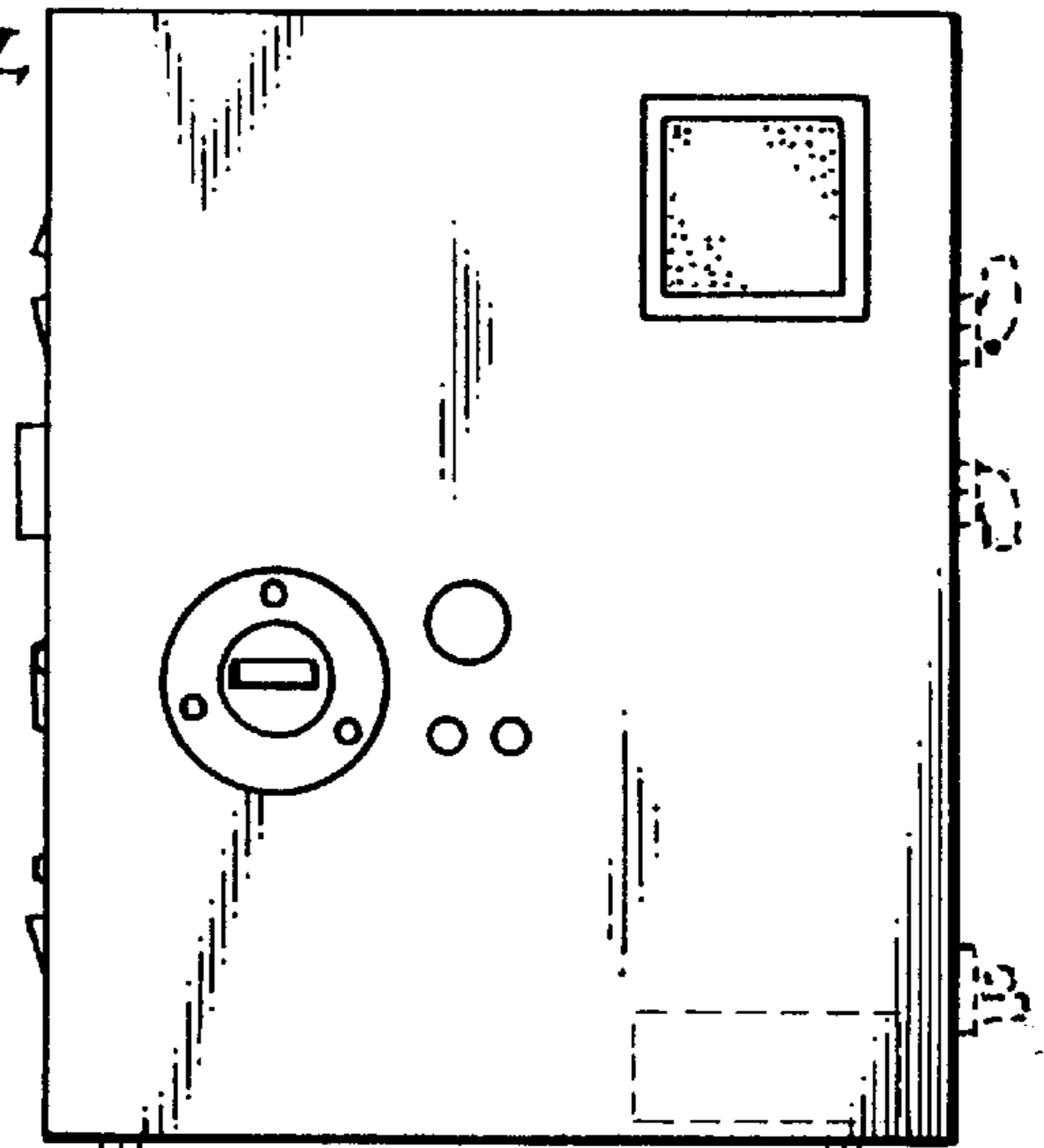


Fig. 3

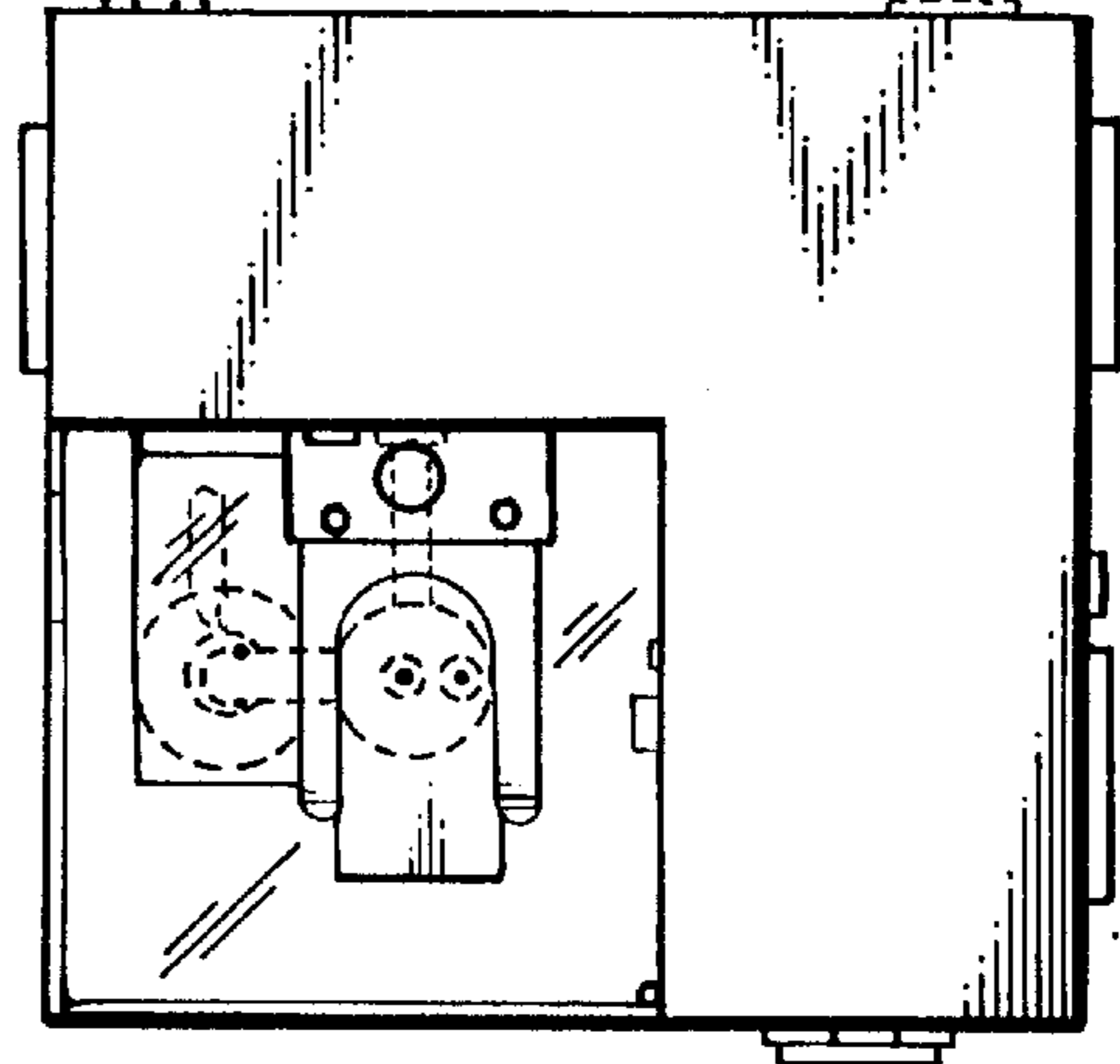


Fig. 6

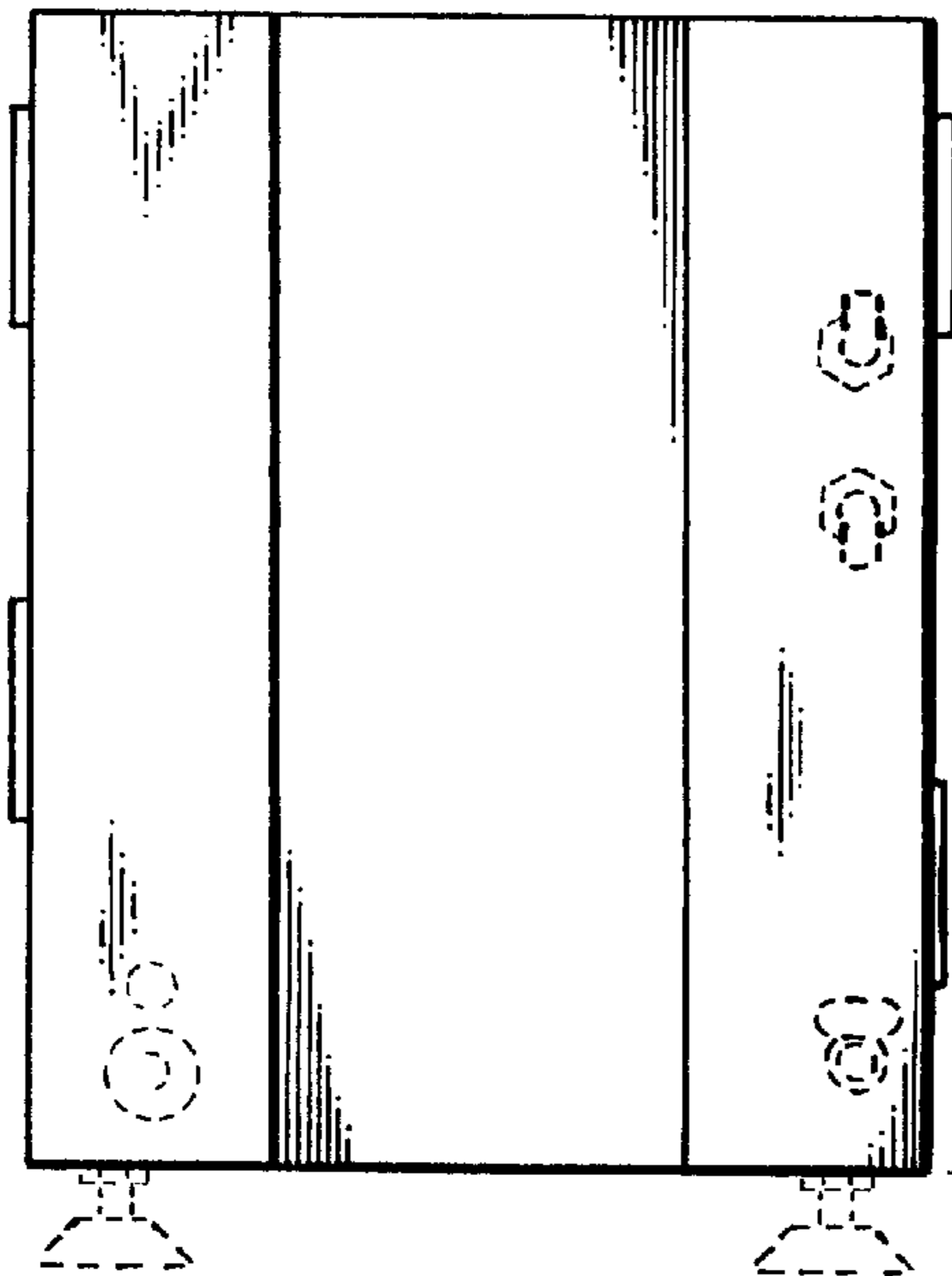


Fig. 5

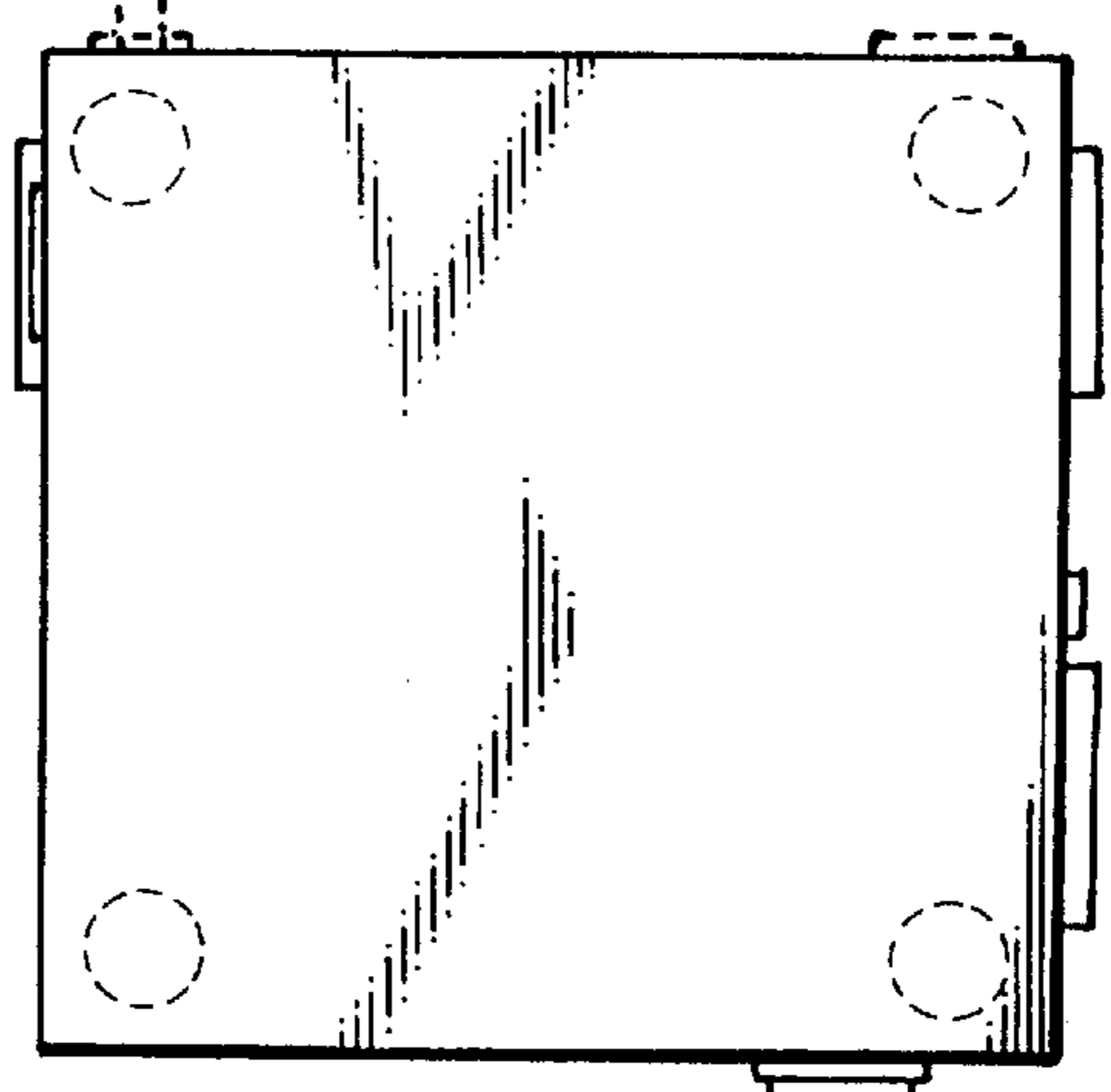


Fig. 7