



US00D406776S

United States Patent [19]

[11] Patent Number: Des. 406,776

Hemmelgarn et al.

[45] Date of Patent: **Mar. 16, 1999

[54] **COORDINATE MEASURING MACHINE**

[75] Inventors: **Thomas L. Hemmelgarn**, Vandalia;
Freddie L. Raleigh, Centerville; **Elmer D. Marriott**, Dayton, all of Ohio

[73] Assignee: **Giddings & Lewis, Inc.**, Fond du Lac, Wis.

[**] Term: **14 Years**

[21] Appl. No.: **75,502**

[22] Filed: **Aug. 18, 1997**

[51] **LOC (6) Cl.** **10-04**

[52] **U.S. Cl.** **D10/46**

[58] **Field of Search** D10/46, 70; 33/1 M,
33/502, 503, 504, 556, 557

Hemmel, Sales Brochure for *Microstar L Series*, 2 pgs (no date available).

Hemmel, Sales Brochure for *PcMM*, 8 pgs., 1993.

Hemmel, Advertisement for *Rambo RAM-Type CMM*, 1 pg (no date available).

D.E.A., Sales Brochure for *Scirocco CMM*, 6 pgs., Mar. 1994.

D.E.A., Sales Brochure for *Swift CMM*, 6 pgs., Mar. 1994.

Brown & Sharpe, Advertisement for *MicroVal Personal CMM*, 1 pg., 1989.

Carl Zeiss, Inc., Sales Brochure for *Zeiss Eclipse CMM*, 2 pgs., Apr. 1, 1993.

Mitutoyo, Catalog No. US4135, *BRT Series 191, CNC Coordinate Measuring Machines*, 6 pgs (no date available).

Starrett, Bulletin No. 733, *RGDC Series CMMs*, 4 pgs., Aug. 1994.

Mitutoyo, Catalog No. US 4118 (2), *FHN906 Series 322, CNC Coordinate Measuring Machine*, 4 pgs. (no date available).

[56] **References Cited**

U.S. PATENT DOCUMENTS

D. 302,392	7/1989	Orr et al.	D10/46
D. 335,088	4/1993	Raleigh et al.	D10/46
4,594,791	6/1986	Brandstetter	33/503
4,610,089	9/1986	Bell et al.	33/1 M
4,630,374	12/1986	Raleigh	33/1 M
4,680,868	7/1987	Orr et al.	33/503
4,682,418	7/1987	Tuss et al.	33/1 M
5,173,613	12/1992	Henry et al.	33/503 X
5,257,461	11/1993	Raleigh et al.	33/503

OTHER PUBLICATIONS

Giddings & Lewis, Inc., Sales Brochure for *Cordax MeasureMax*, 2 pgs., 1997.

Giddings & Lewis, Inc., Sales Brochure for *Cordax Discovery Series CMM*, 1 pg., 1997.

International Metrology Systems, Sales Brochure for *Impact CMM*, 6 pgs (no date available).

Slocum, A.H. *Precision Machine Design*, N.J., Prentice Hall, pp. 45-57, 1992.

Giddings & Lewis, Inc., Sales Brochure for *Cordax, Coordinate Measuring Machines* 6 pgs., 1994.

Giddings & Lewis, Inc., Sales Brochure for *R-Series, Cordax Coordinate Measuring Machines*, 6 pgs., 1995.

Mitutoyo, Sales Brochure (Bulletin No. 4430) for *Coordinate Measuring Machines*, 8 pgs (no date available).

Hemmel, Advertisement for *Checkpack CMM*, 2 pgs, 1997.

Primary Examiner—Antoine Duval Davis
Attorney, Agent, or Firm—Foley & Lardner

[57] **CLAIM**

The ornamental design for a coordinate measuring machine, as shown and described.

DESCRIPTION

FIG. 1 is a perspective view of a coordinate measuring machine of the claimed design;

FIG. 2 is a top plan view of the coordinate measuring machine of FIG. 1;

FIG. 3 is a front elevational view of the coordinate measuring machine of FIG. 1;

FIG. 4 is a right side elevational view of the coordinate measuring machine of FIG. 1;

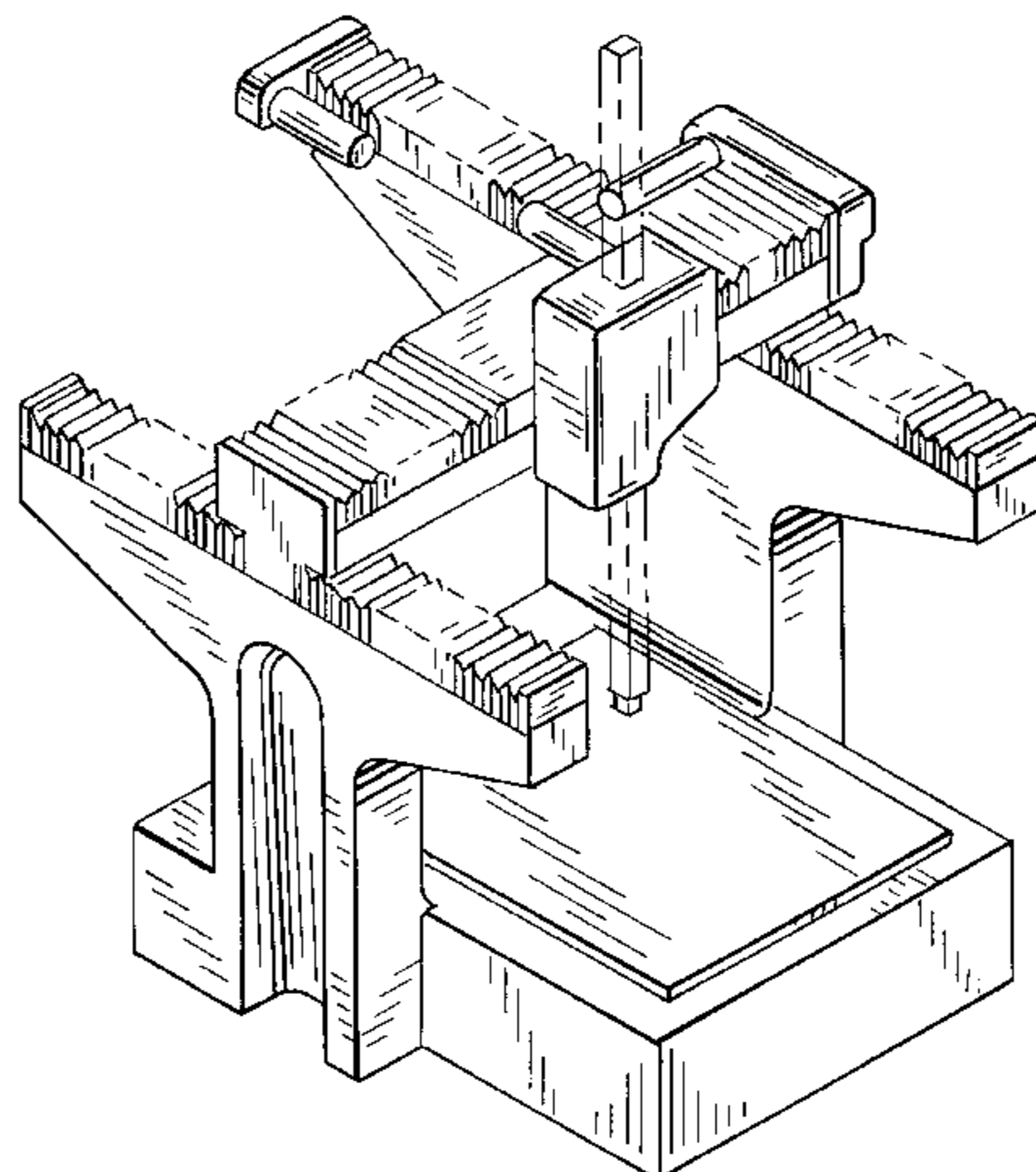
FIG. 5 is a left side elevational view of the coordinate measuring machine of FIG. 1;

FIG. 6 is a rear elevational view of the coordinate measuring machine of FIG. 1; and,

FIG. 7 is a perspective view of a second embodiment of a coordinate measuring machine of the claimed design.

The ornamental design which is claimed is shown in solid lines in the drawings. The broken lines in the drawings are for illustrative purposes only and form no part of the claimed design.

1 Claim, 5 Drawing Sheets



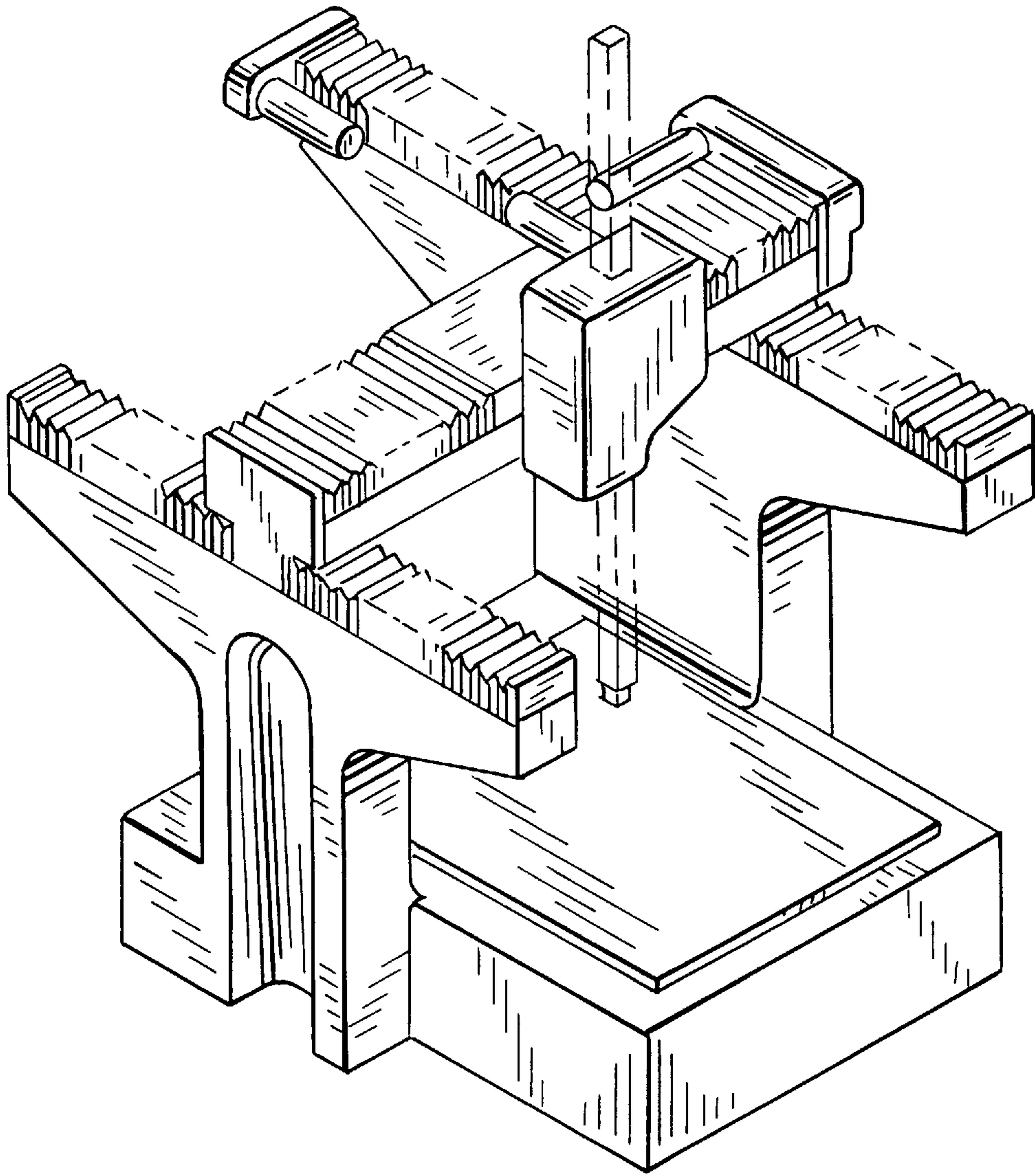


FIG. 1

FIG. 2

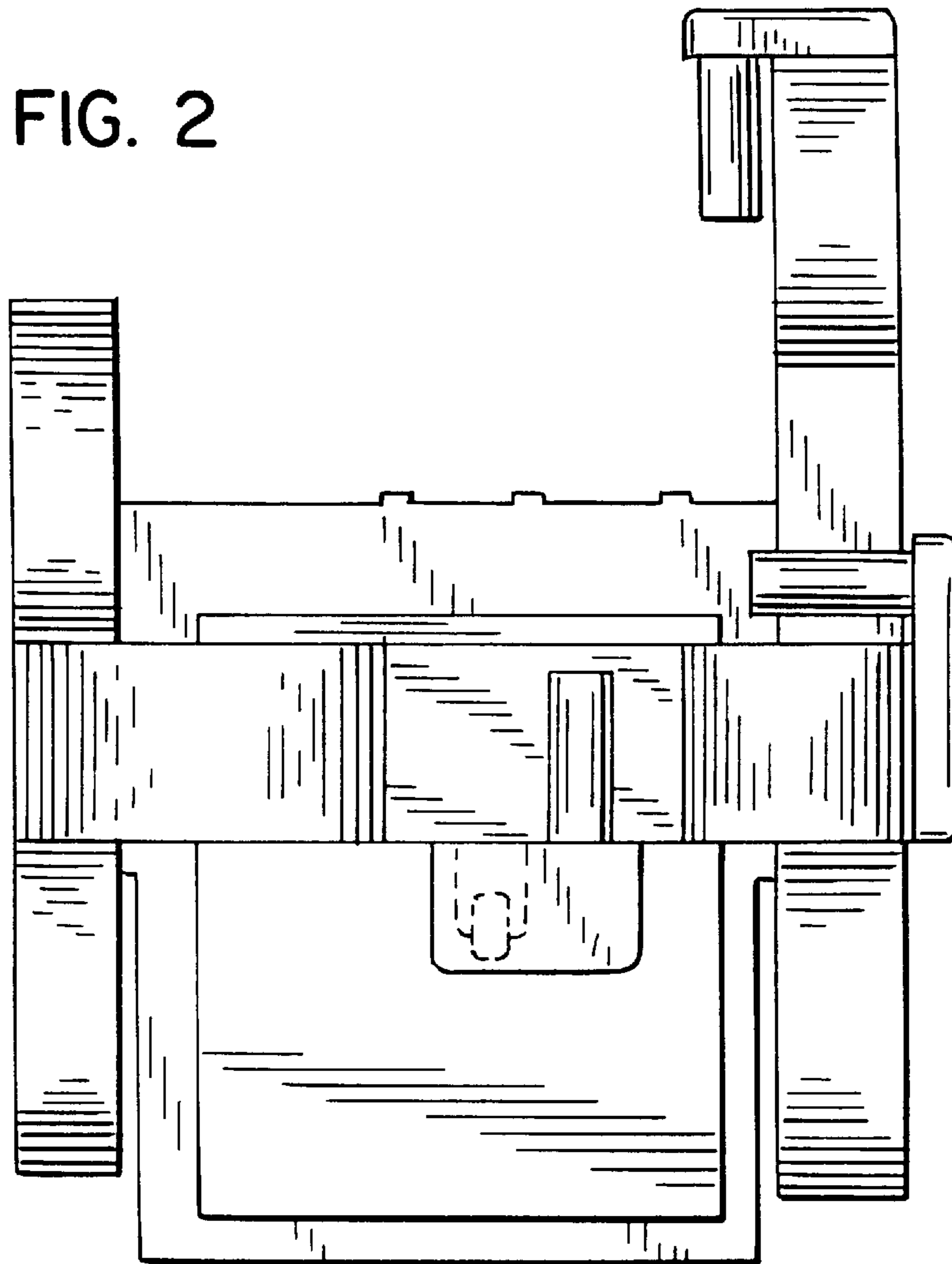


FIG. 4

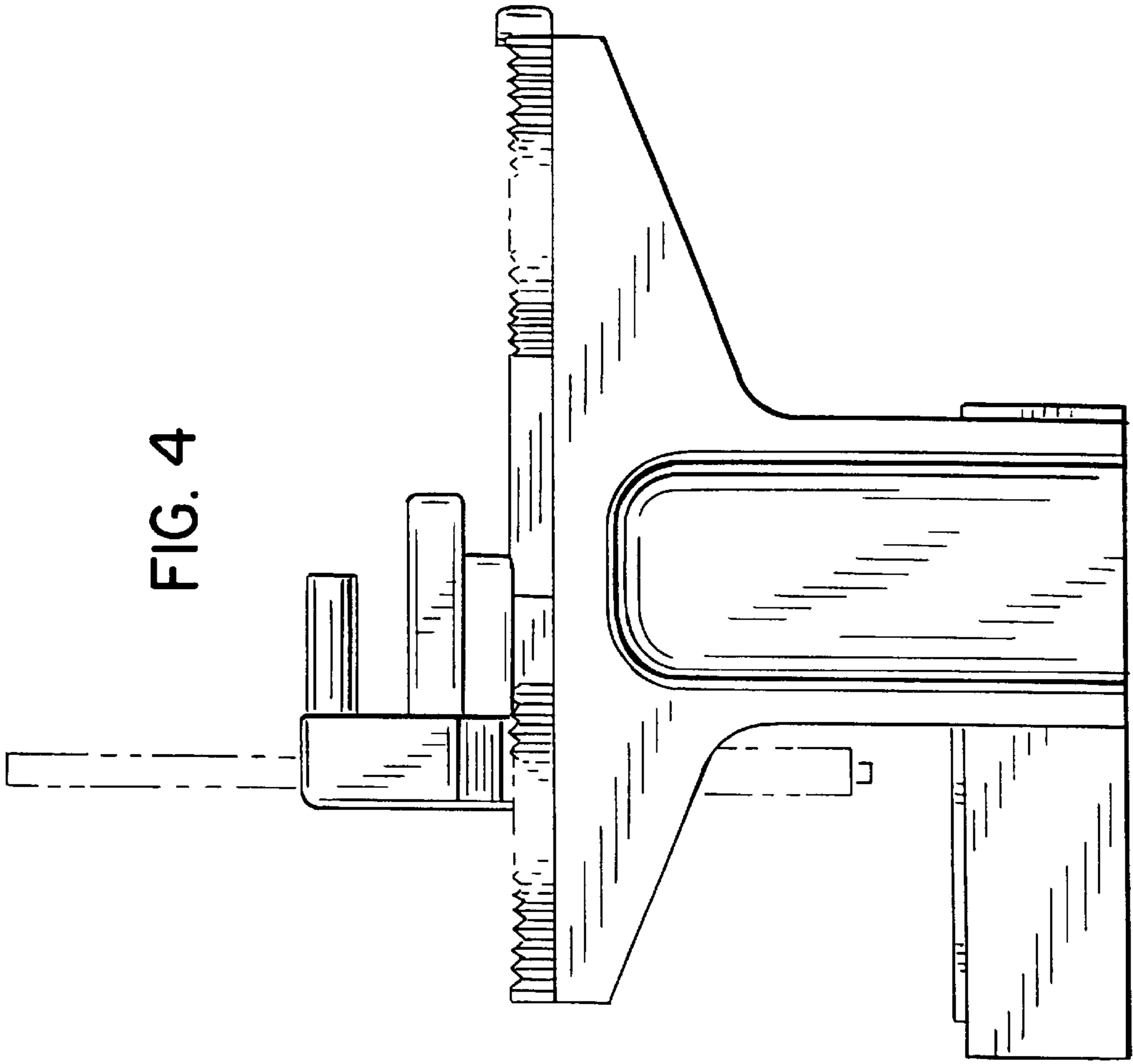
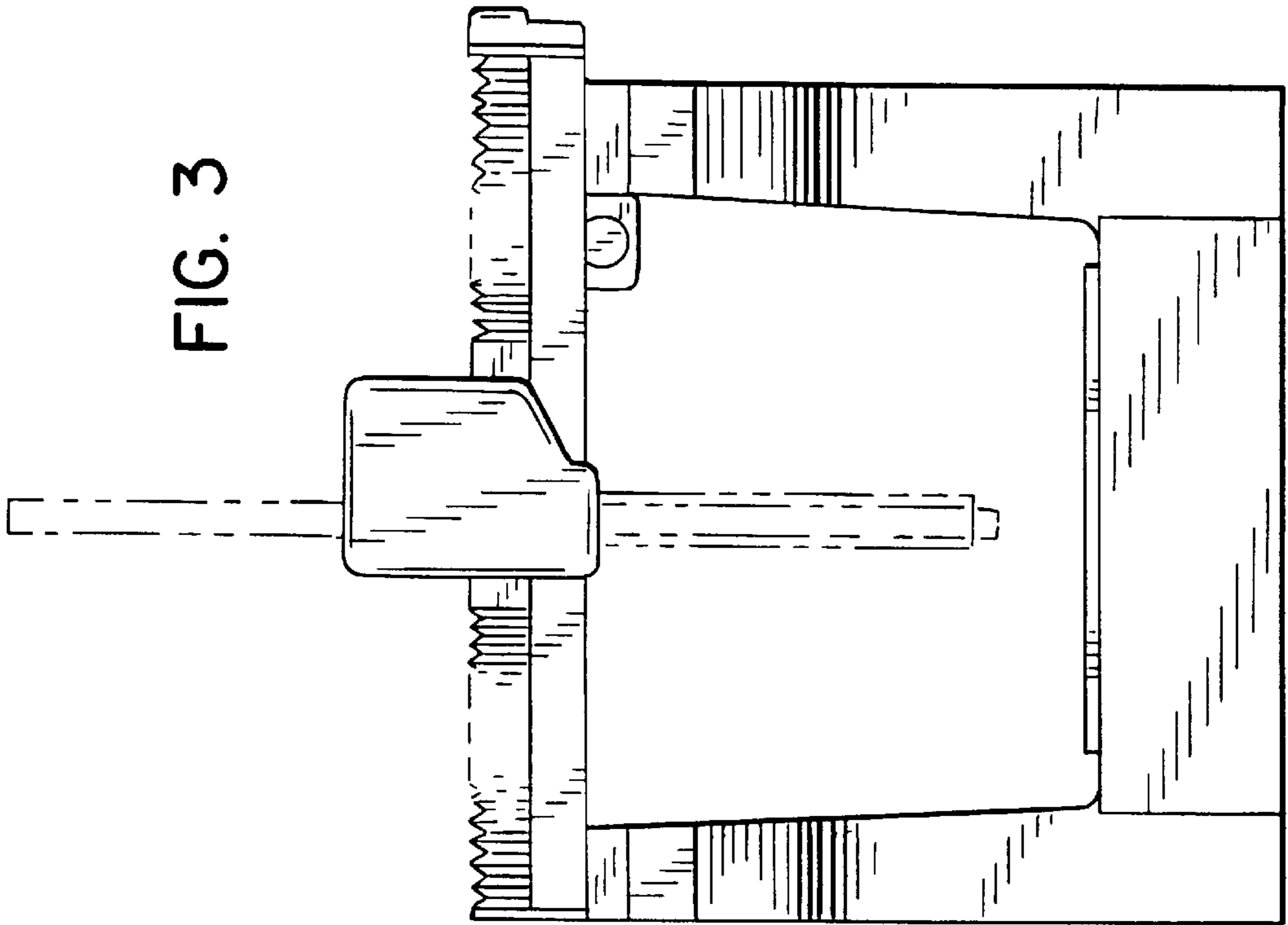


FIG. 3



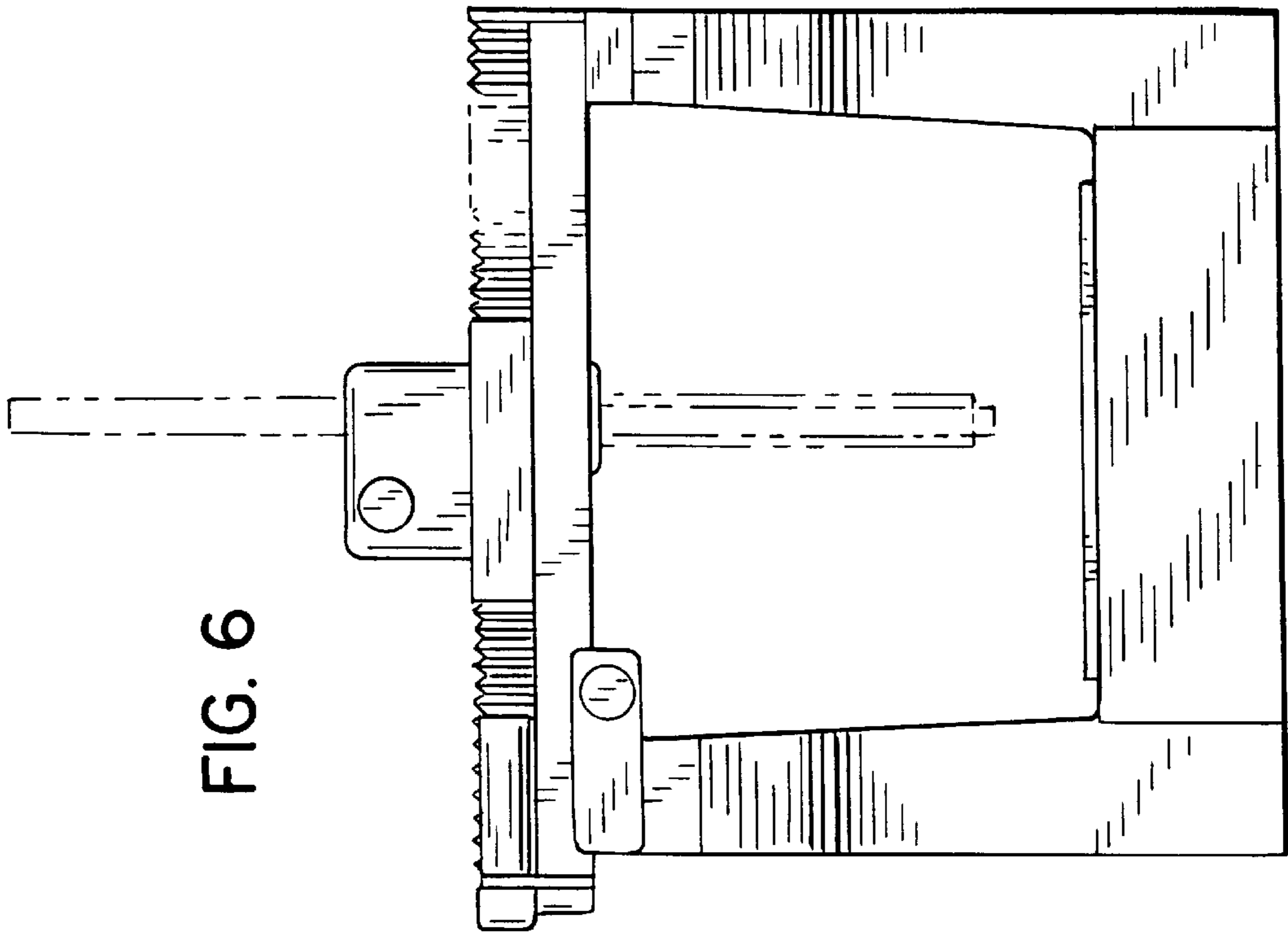


FIG. 6

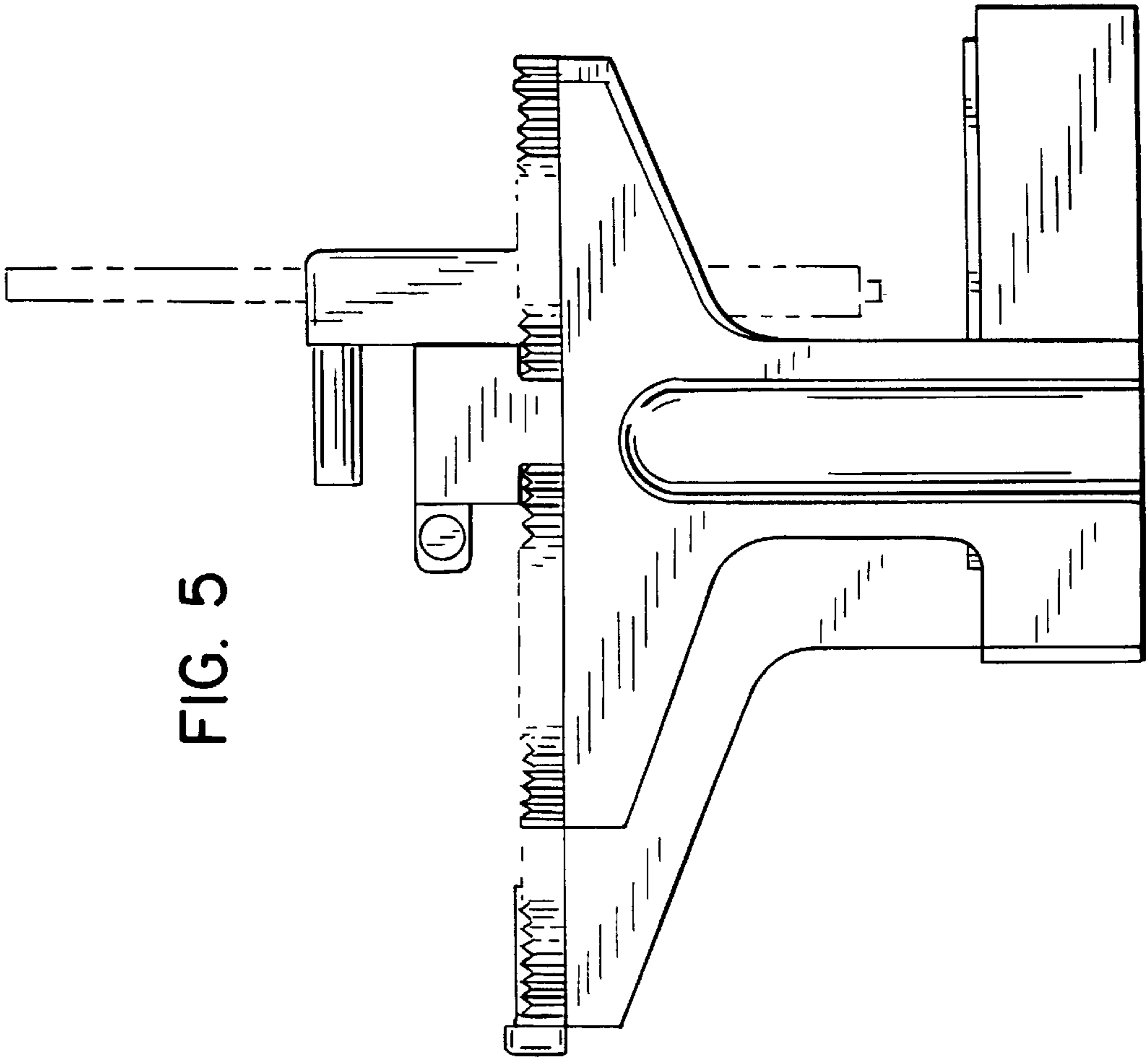


FIG. 5

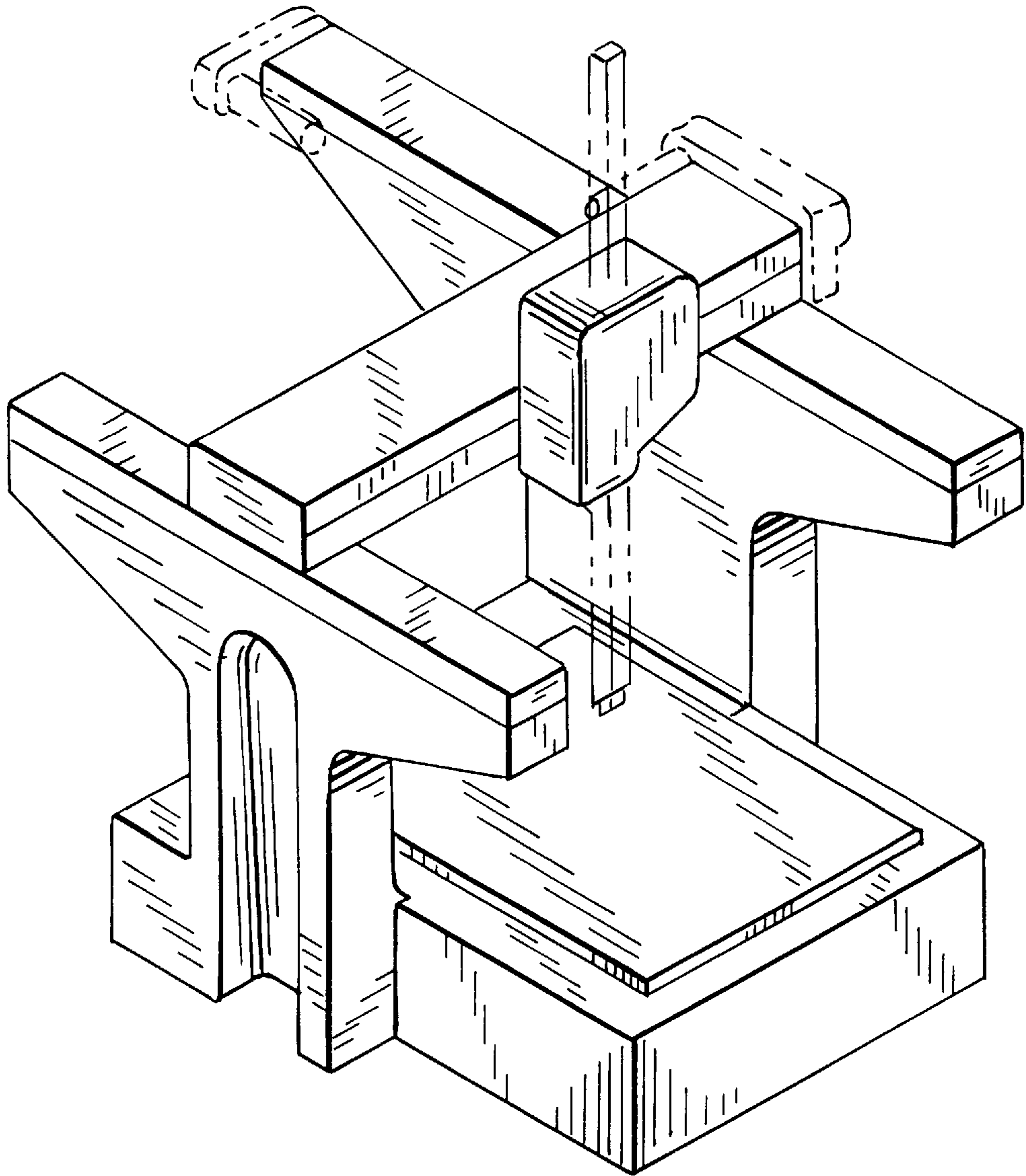


FIG. 7