



US00D406774S

# United States Patent [19] Sinisi

[11] **Patent Number: Des. 406,774**

[45] **Date of Patent: \*\*Mar. 16, 1999**

[54] **TIMER HOUSING**

[75] **Inventor: John J. Sinisi, Chalfont, Pa.**

[73] **Assignee: Lux Products Corporation, Mt. Laurel, N.J.**

[\*\*] **Term: 14 Years**

[21] **Appl. No.: 66,284**

[22] **Filed: Feb. 10, 1997**

[51] **LOC (6) Cl. .... 10-03**

[52] **U.S. Cl. .... D10/40**

[58] **Field of Search ..... D10/1-40, 122-132, D10/75; 200/38 R; 307/140 R, 141 R, 141.4; 368/97-100, 107-109, 121, 246**

[56] **References Cited**

**U.S. PATENT DOCUMENTS**

- D. 55,019 5/1920 Harold .
- D. 97,453 11/1935 Bars .
- D. 98,769 3/1936 Horwitt .
- D. 100,776 8/1936 Jacobs .
- D. 101,070 9/1936 Schwlenker .
- D. 172,102 5/1954 Lux .
- D. 172,914 8/1954 Weise .
- D. 186,532 11/1959 Danz .

- D. 233,026 10/1974 Blessing .
- D. 257,129 9/1980 Danz .
- D. 276,703 12/1984 Au .
- D. 278,313 4/1985 Progin .
- D. 299,316 1/1989 Vickery ..... D10/15
- D. 312,578 12/1990 Kumakura ..... D10/22
- D. 390,799 2/1998 Uptegraph ..... D10/126
- D. 392,901 3/1998 Mok ..... D10/22

*Primary Examiner*—Nelson C. Holtje  
*Attorney, Agent, or Firm*—Austin R. Miller

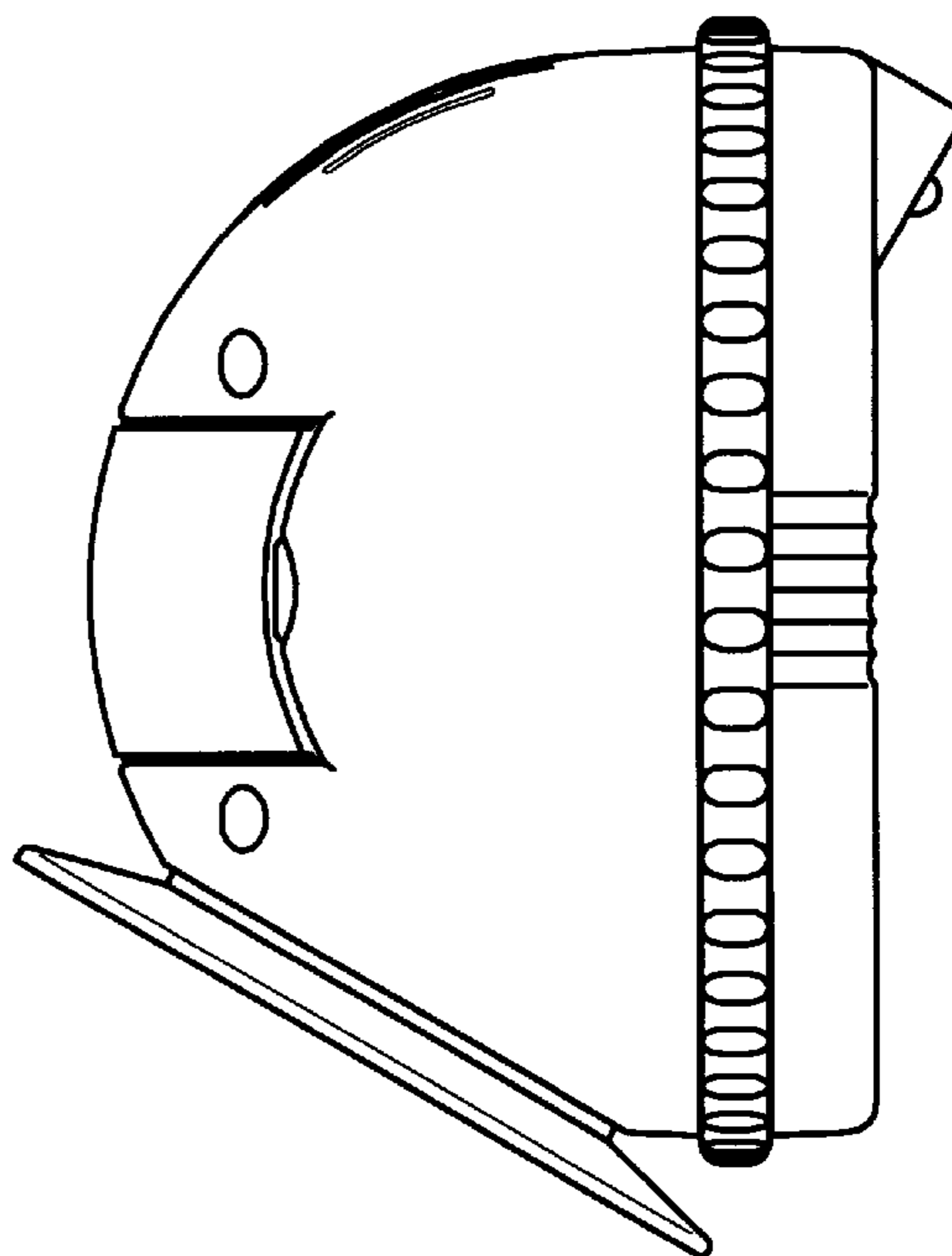
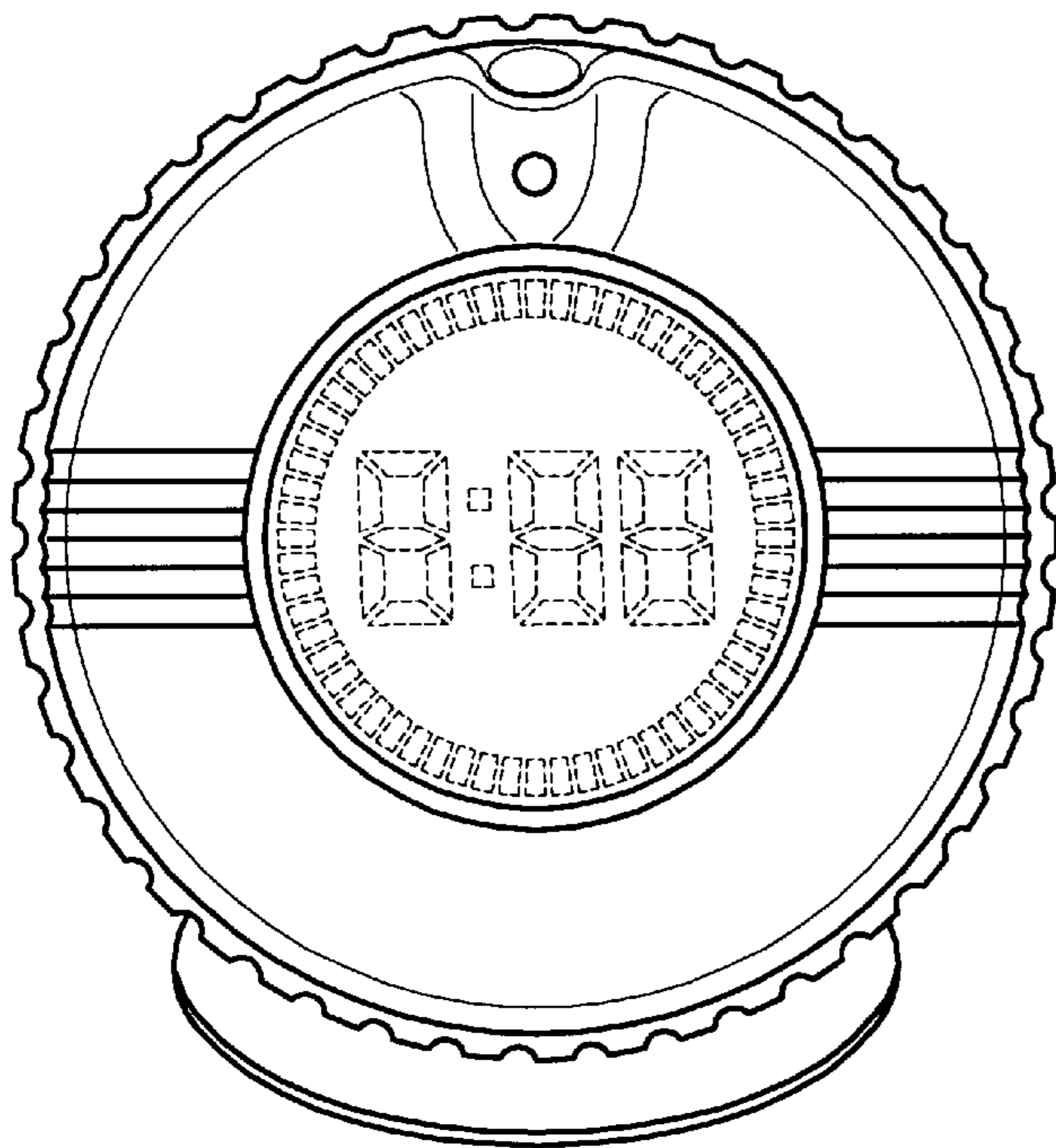
[57] **CLAIM**

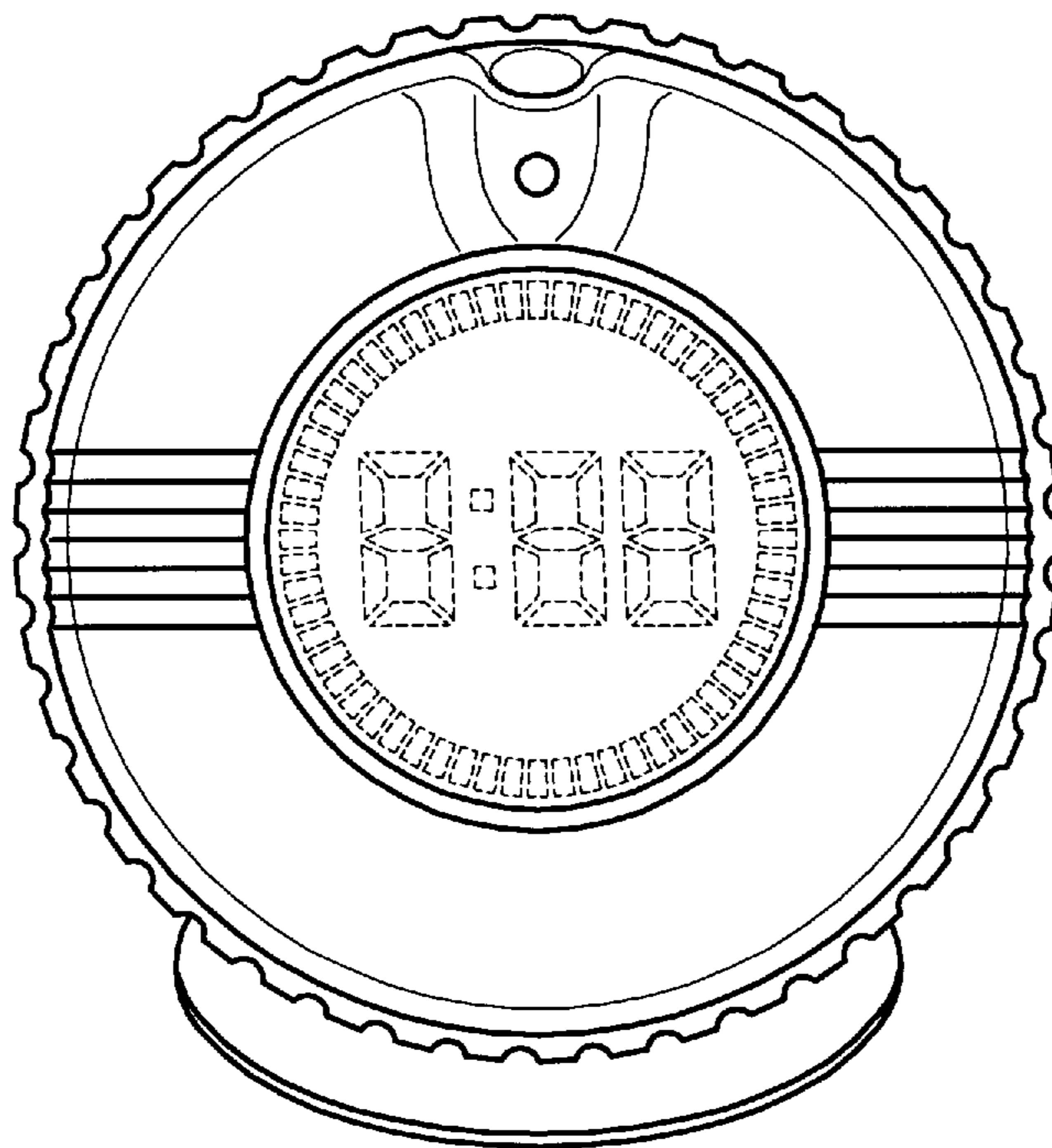
The ornamental design for a timer housing, as shown and described.

**DESCRIPTION**

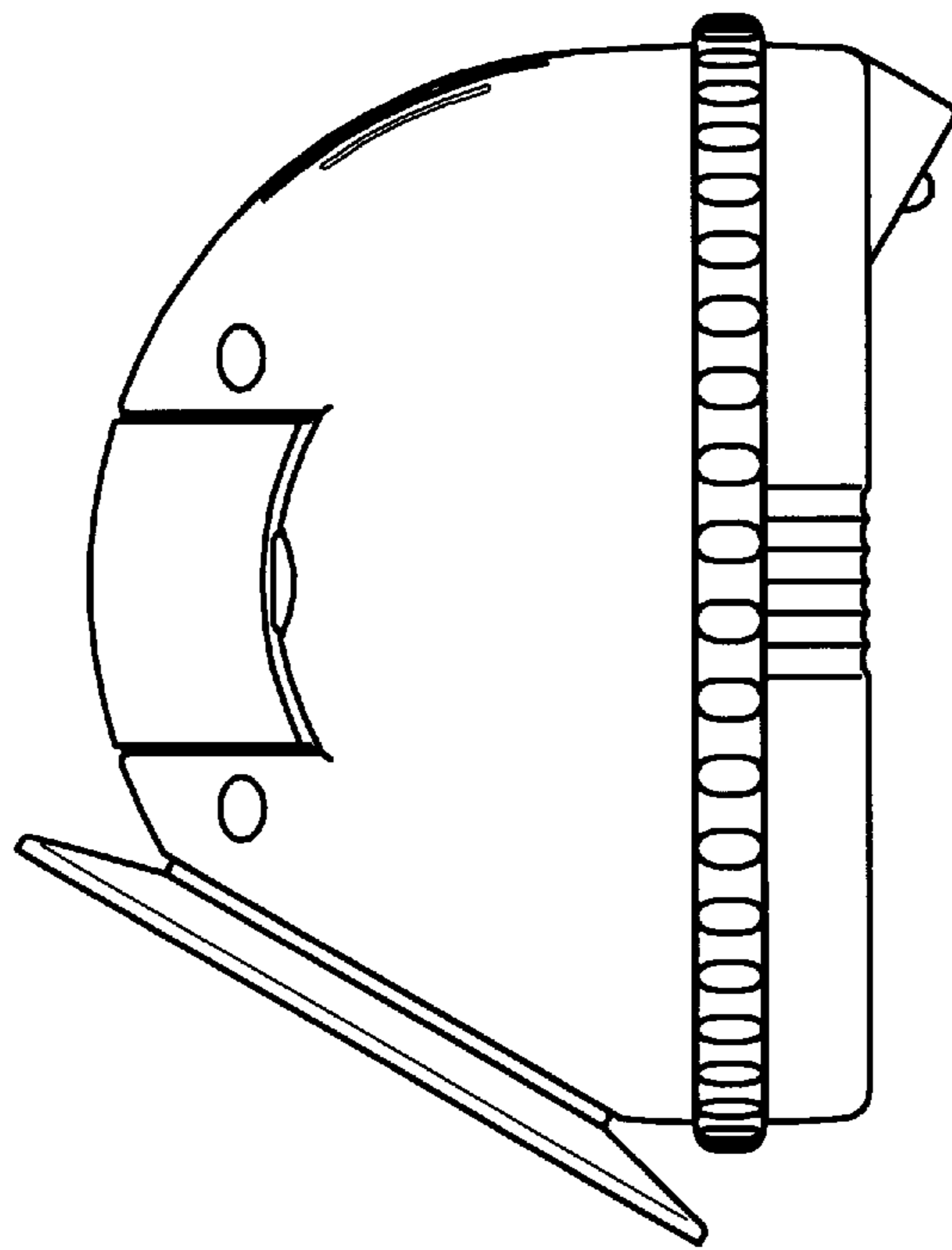
FIG. 1 shows front view of timer housing according to the invention;  
 FIG. 2 shows the timer housing shown in FIG. 1 from the left side;  
 FIG. 3 shows the timer housing shown in FIG. 1 from the back;  
 FIG. 4 shows the timer housing shown in FIG. 1 from the top; and,  
 FIG. 5 shows the timer housing shown in FIG. 1 from the bottom.

**1 Claim, 5 Drawing Sheets**

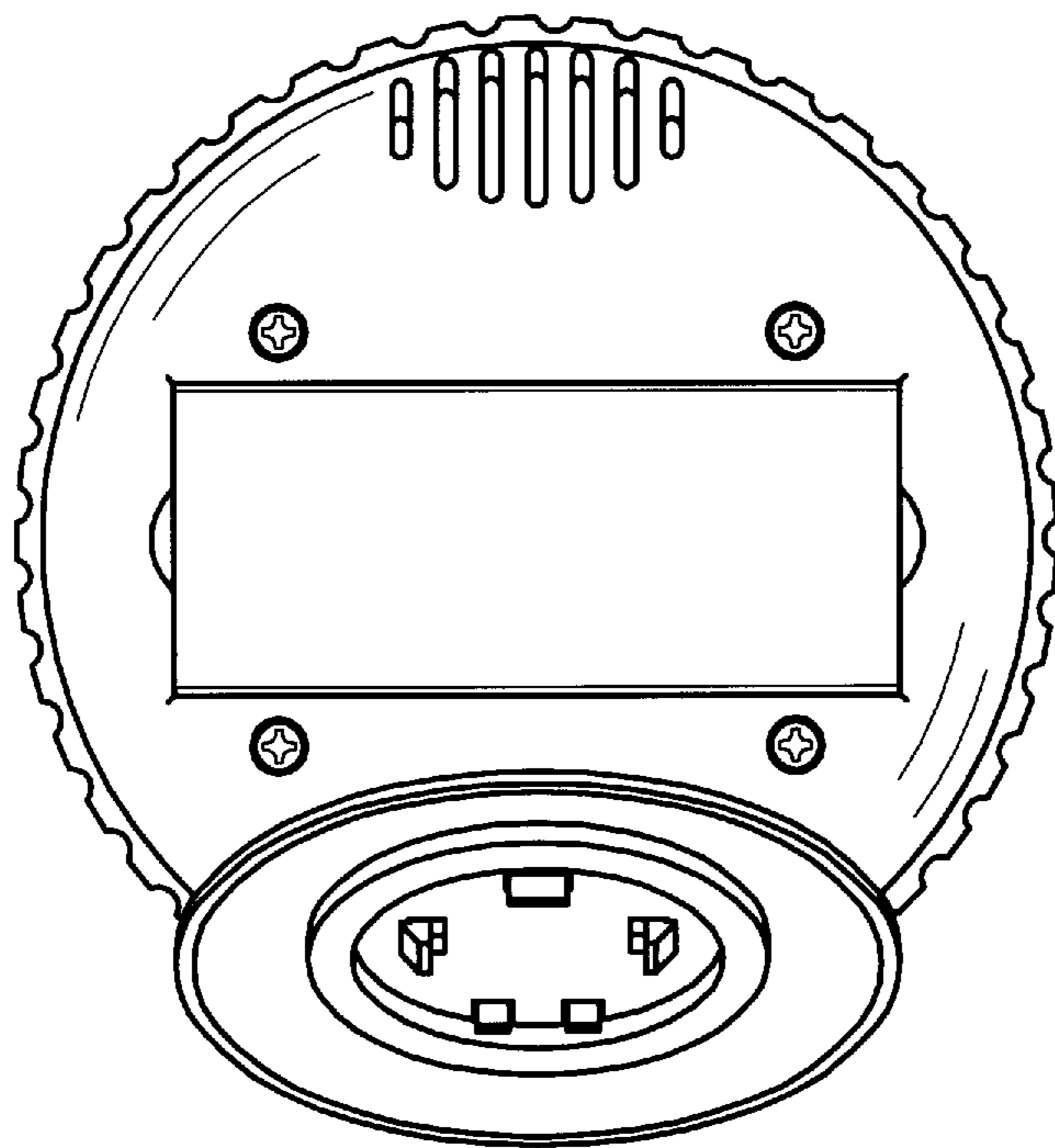




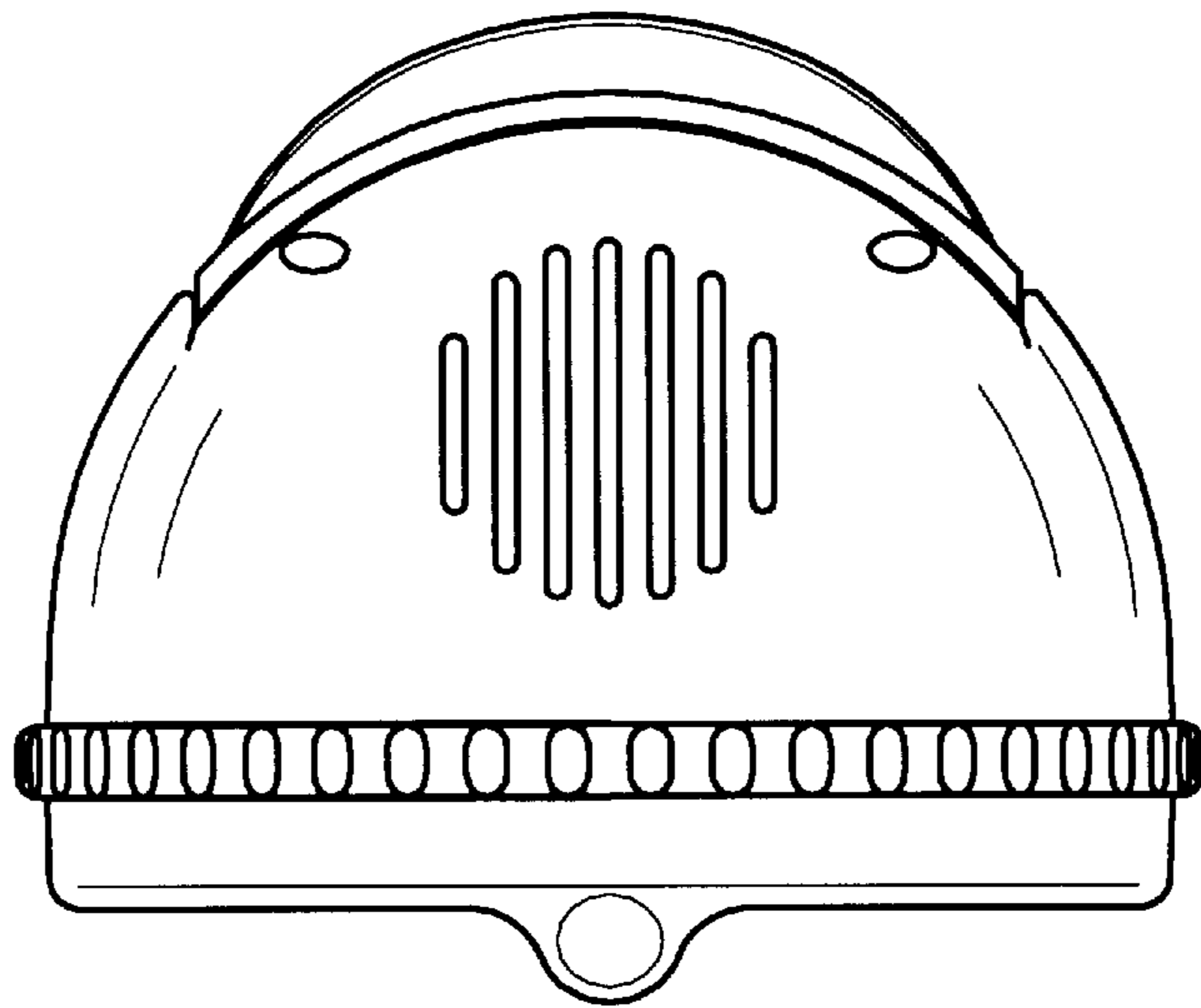
*Fig. 1*



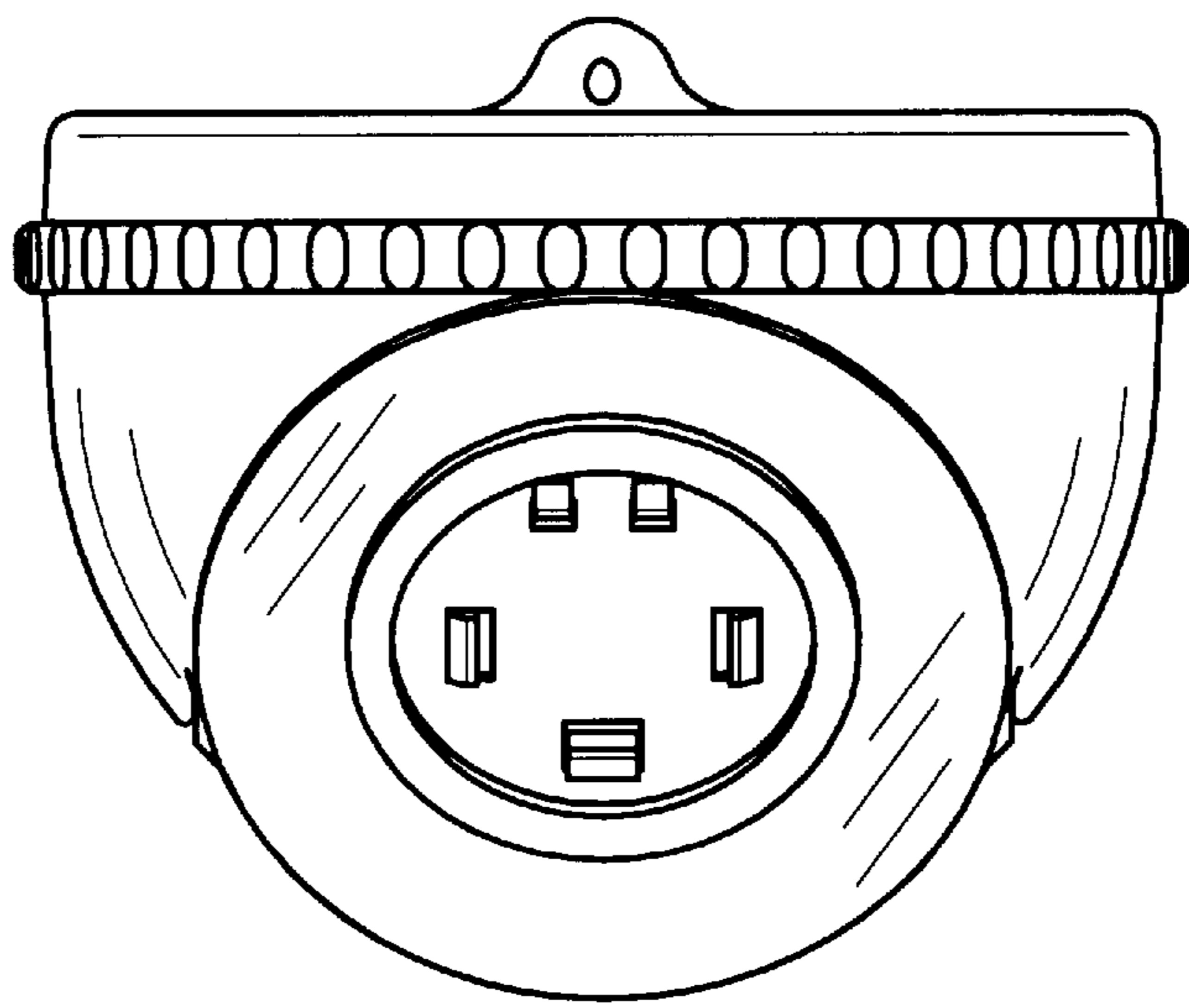
*Fig. 2*



*Fig. 3*



*Fig. 4*



*Fig. 5*