



US00D406768S

United States Patent [19]
Rykiel

[11] **Patent Number: Des. 406,768**

[45] **Date of Patent: **Mar. 16, 1999**

[54] **COMBINED BOTTLE AND CAP**

D. 207,069 2/1967 Stettler D9/573
D. 304,552 11/1989 Lippman D9/572 X

[75] Inventor: **Sonia Rykiel**, Paris, France

[73] Assignee: **Sonia Rykiel Parfums-Beaute**, Paris, France

Primary Examiner—Lucy Lieberman
Attorney, Agent, or Firm—Foley & Lardner

[**] Term: **14 Years**

[57] **CLAIM**

[21] Appl. No.: **66,458**

The ornamental design for a combined bottle and cap, as shown and described.

[22] Filed: **Feb. 12, 1997**

DESCRIPTION

[30] **Foreign Application Priority Data**

Aug. 12, 1996 [WO] WIPO DM/037206

FIG. 1 is a perspective view of a combined bottle and cap showing my new design;

[51] **LOC (6) Cl.** **09-01**

FIG. 2 is a front elevational view thereof, the rear view being identical;

[52] **U.S. Cl.** **D9/542; D9/544; D9/569**

[58] **Field of Search** D9/542, 543, 544, D9/300, 569, 570, 556, 557; 215/382, 383, 384; D28/91.1; 222/321.1–321.9

FIG. 3 is a side elevational view thereof, the other side being identical;

FIG. 4 is a top view thereof; and,

FIG. 5 is a bottom view thereof.

[56] **References Cited**

U.S. PATENT DOCUMENTS

D. 70,691 7/1926 La Tour D9/544 X

1 Claim, 2 Drawing Sheets

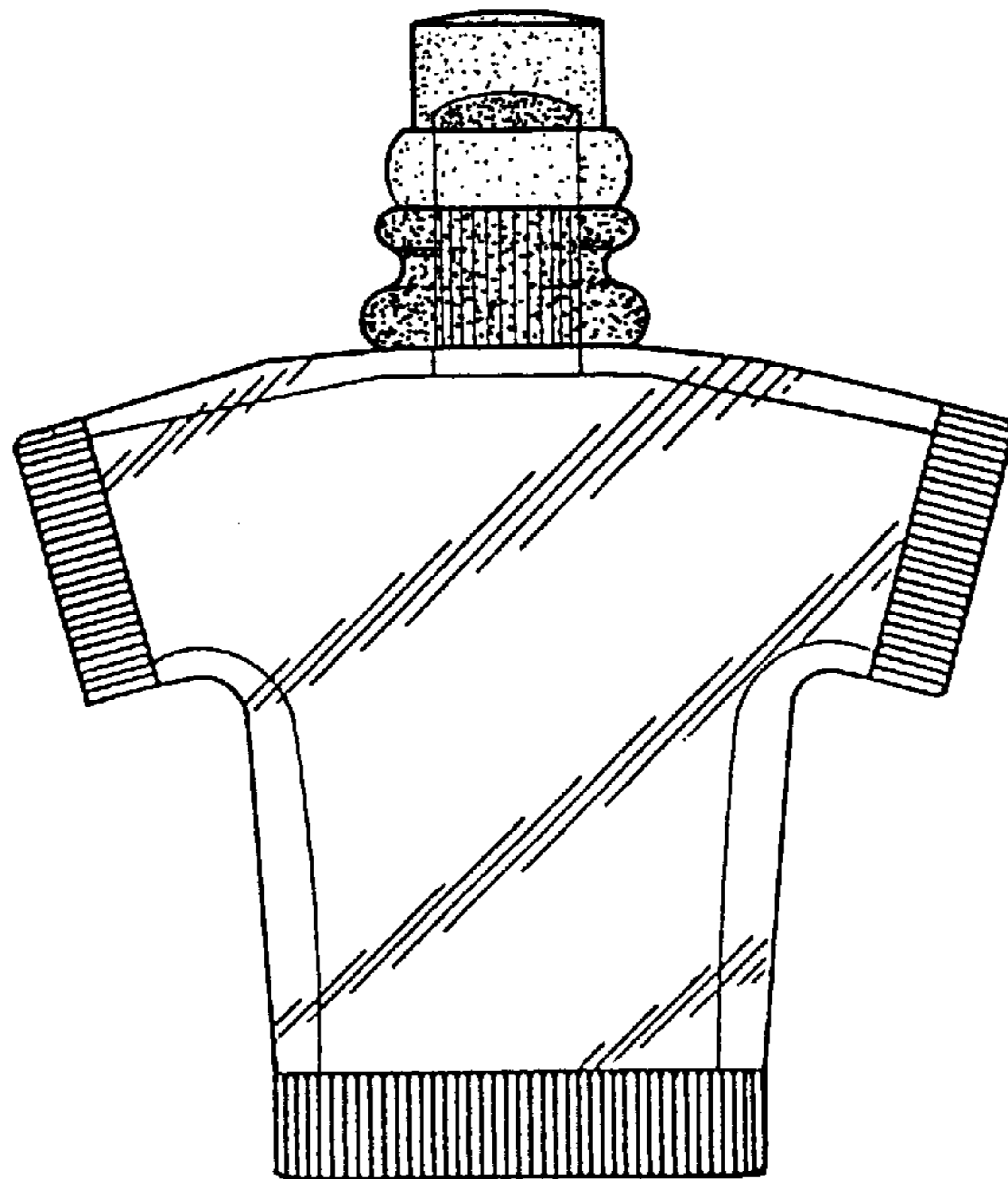


FIG. 1

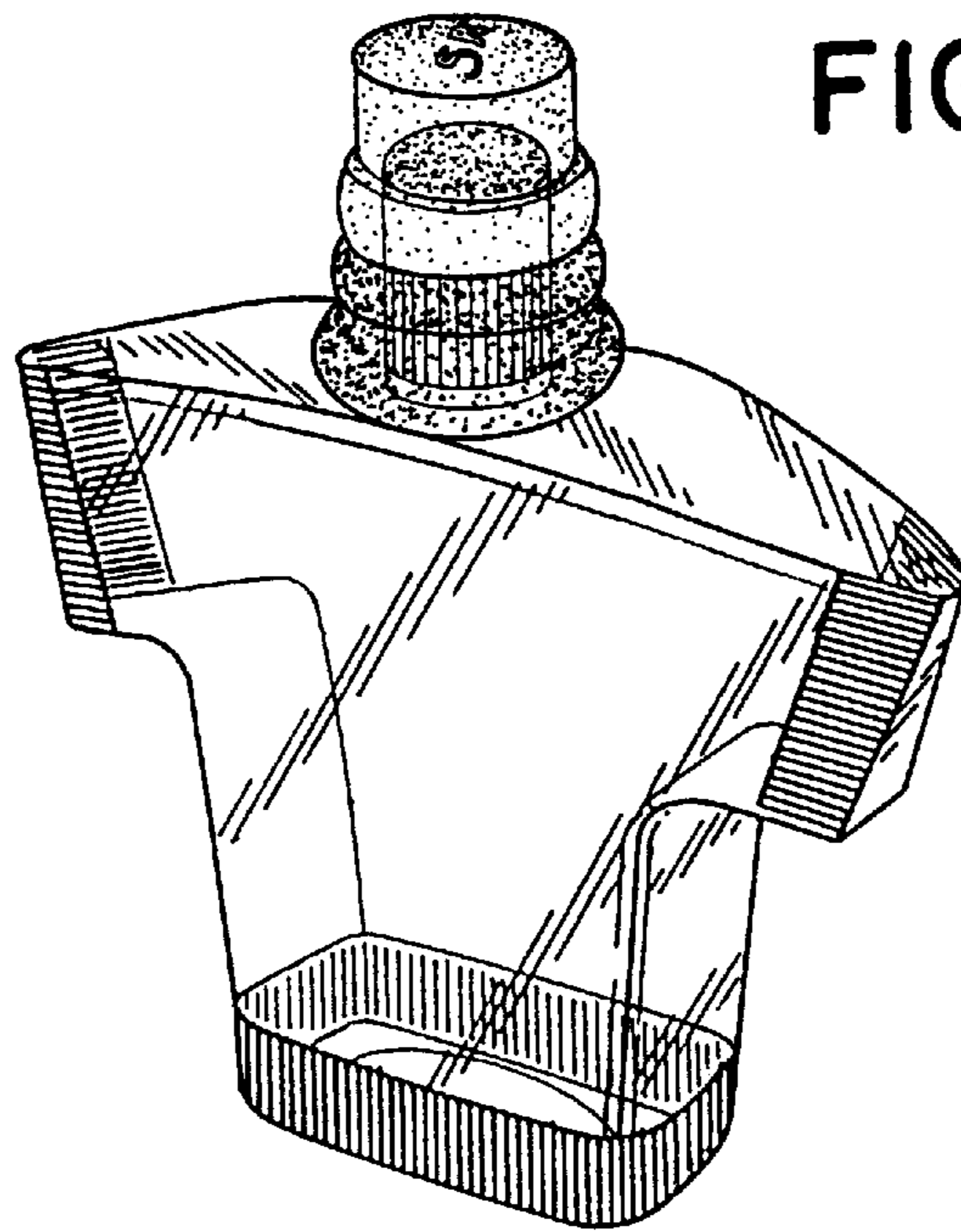


FIG. 2

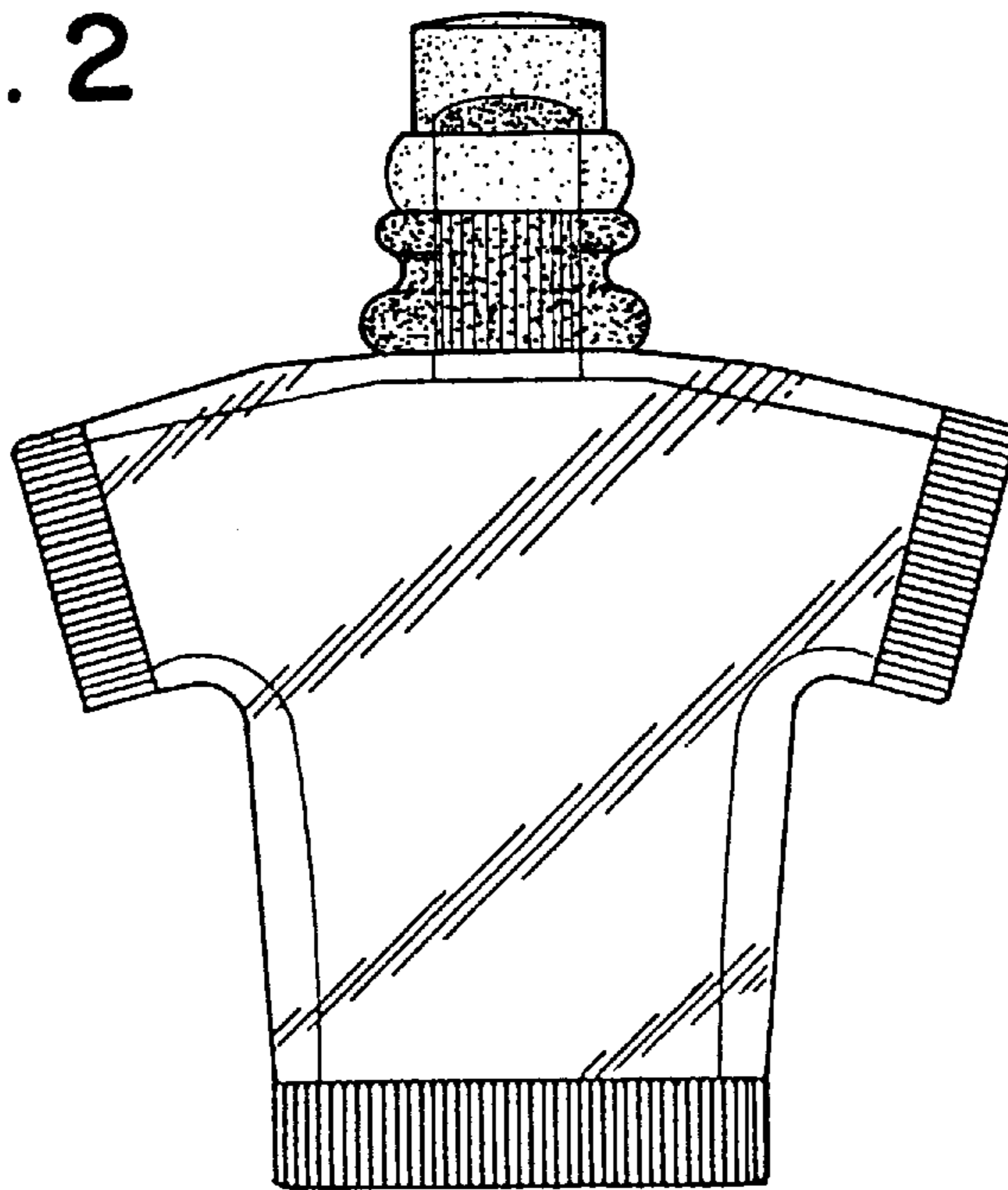


FIG. 3

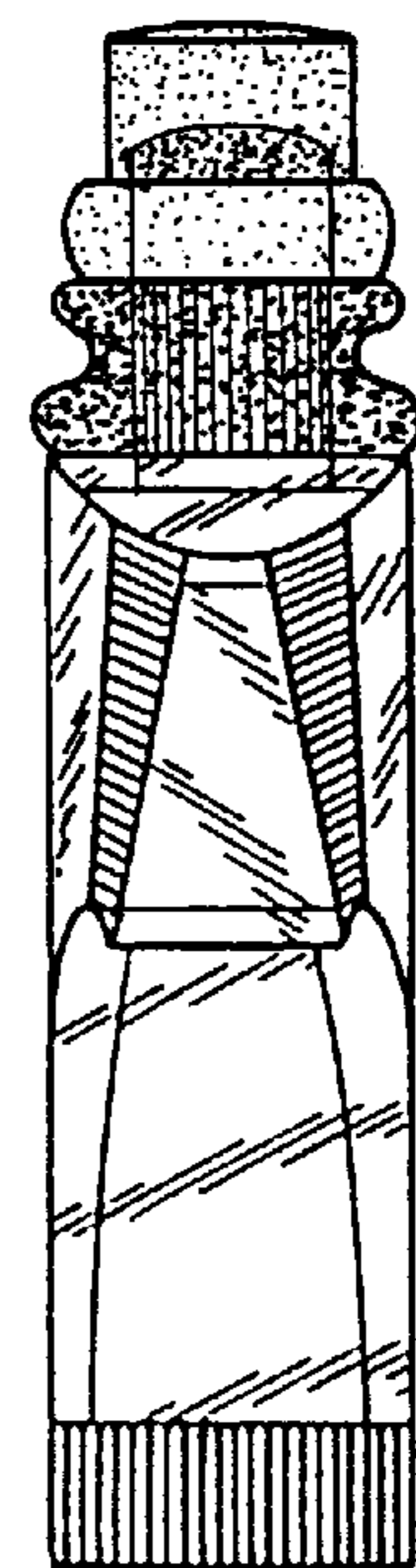


FIG. 4

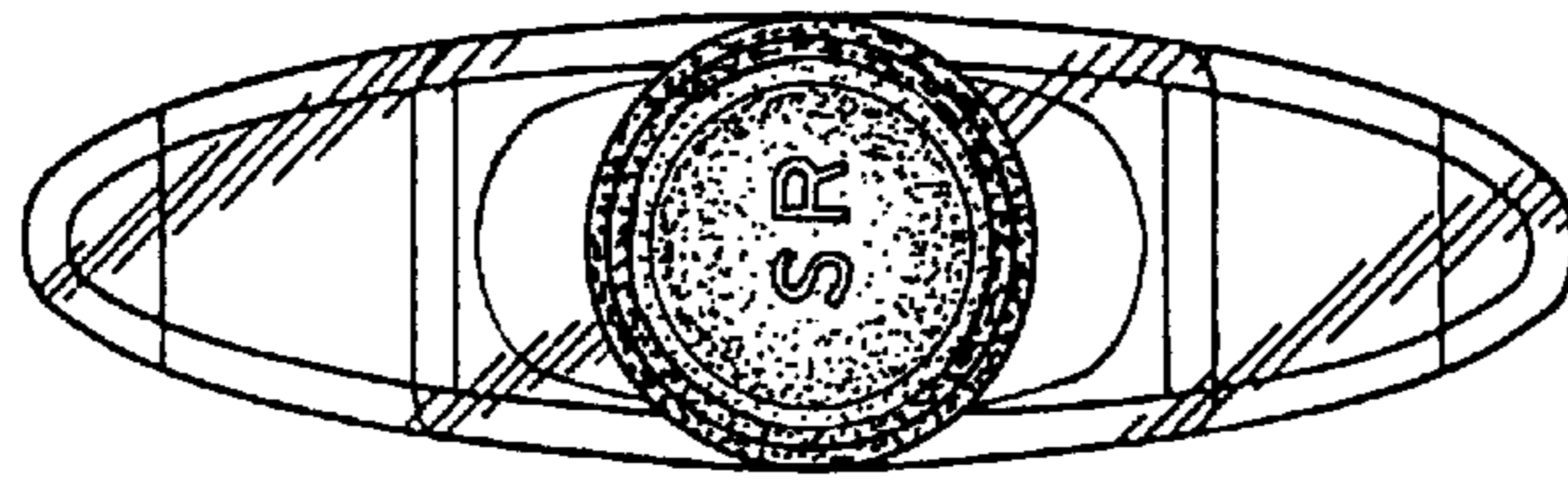


FIG. 5

